



INSTALLATION INSTRUCTIONS

TOP MOUNT STAINLESS STEEL SINKS

These instructions are for installing Transolid® top mount stainless steel sinks. Top mount sinks (also known as drop-in sinks) are installed from **above** the countertop and sealed to the top of the counter. If you are installing another type of sink, such as Undermount sink which is installed below the counter, please refer to instructions specifically for those sinks.

ATTENTION INSTALLER:

Transolid® recommends that all countertops be cut by an approved or certified installer and that the sinks be installed by the installer whenever possible. The countertop/sink unit ideally should be installed as one on the jobsite.

Transolid® is not responsible for sink or countertop if damaged during installation.

Metal edges may be sharp - use caution when handling.

Remember, it is your responsibility to follow all local plumbing and building codes.

Inspect sink for damage prior to beginning installation. Do not install a damaged unit.

The warranty will be voided if these installation instructions are not followed.

Templates are supplied only as a guide. The physical use of the sink will ensure a more accurate cutout.

The instructions that follow are for installing a Transolid® top mount stainless steel sink. Be sure to read all instructions completely before beginning installation.

Tools and Materials You will Need
Eye protection (safety glasses/goggles) strongly recommended
Ear protection strongly recommended
Top mount (drop-in) template supplied by Transolid
Top mount (drop-in) clips supplied by Transolid. (NOTE: these come with the sink and are in a separate plastic bag. Please make sure they are not thrown away with the carton.)
Cutting tool and blades appropriate for the countertop material
Drill and drill bit
Wood braces
Slotted screwdriver medium size, long blade /easiest
Tape measure
Pencil (not permanent marker)
Ball peen hammer (6 oz.)
File
Appropriate sealant for the countertop material
Rags

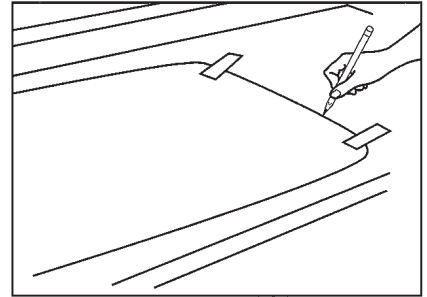
Sink installation recommended for professional installers only.

1. Cut out the template and place it on the countertop, making sure that the sink front is parallel to the front of the counter. Be sure the sink is properly centered, both front to back and side to side. Take into consideration adequate clearance for the faucet, backsplash, and any accessories such as a soap/lotion dispenser.

Check for adequate clearance relative to cabinet walls and pull-out or tilt-down drawers.

Tape the template in place.

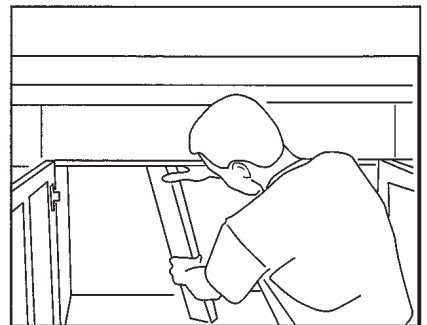
Trace around the template.



NOTE: Alternate method - Create your own template. (see next page). Paper and/or cardboard templates are supplied only as a guide. Using the actual sink ensures a more accurate cutout.

2. Place a brace under the countertop to support the sink cutout area. This will also make it easier to do the sink cutout.

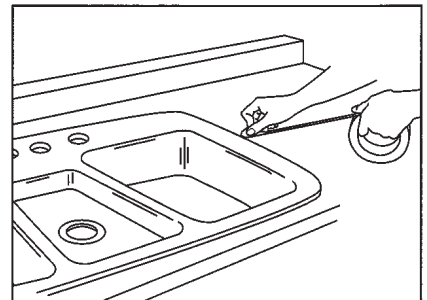
Cut the countertop along the template line with the proper tool for the countertop material.



3. Trial fit the sink, by inserting it into the countertop to test whether the cutout is the correct size.

Mark the edge of the sink with masking tape on the countertop.

Remove the sink and make any necessary adjustments in the cutout or placement. (The easiest way to handle the sink is at the drain hole(s), especially if it is a double bowl sink.)

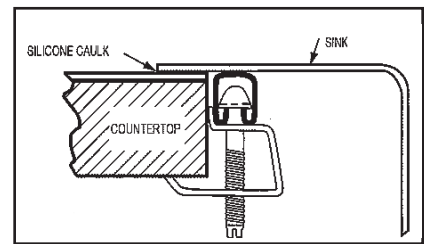


4. Install faucet and other accessories such as side spray or soap/lotion dispenser onto the sink. Attach supply lines (not included) to faucet following appropriate instructions. (Do not install strainer basket(s) until after the sink is in place.)

5. Clean the underside of sink flange and sealing surface of countertop opening thoroughly to remove dirt or residue. Thoroughly dry and apply a continuous bead of a high quality silicone adhesive caulk (not supplied) to the underside of the sink flange near the edge. Position sink into countertop opening inside the masking tape.

6. Lower the sink into the hole, following the guidelines created by the masking tape.

7. From the underside of the sink, place one clamp near the center and tighten by hand enough to hold the sink in place. This applies to all four sides. Fastening remaining clamps in position and hand tighten. Space clamps as equally as possible. Provided hardware will accommodate countertops thicker than 3/4" up to 1-1/2".



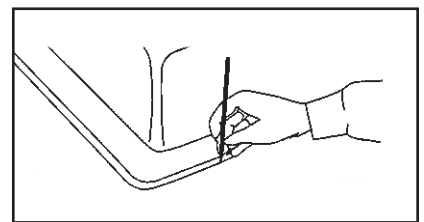
NOTE: Do not fully tighten one clip at a time. Partially tighten a clip, then partially tighten the clip across from it. After each clip is partially tightened, repeat the process, fully tightening each clip. This ensures a secure installation and avoids damage to the sink.

8. Remove any excess caulk and allow it to properly cure following caulk manufacturer's recommended instructions.

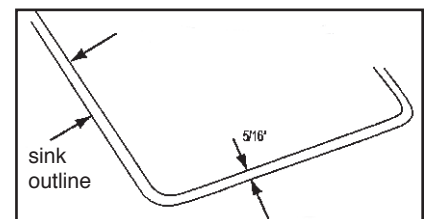
Install supply lines to water sources, drain fittings, and other items.

Create your own template

1. Position sink upside down on countertop surface. Take into consideration adequate clearance for the faucet, backsplash, and any accessories such as a soap/lotion dispenser. Place sink in exact position for installation and with a pencil draw a line completely around sink to create a sink outline.



2. Scribe actual opening 5/16" inside the sink outline, all the way around. Cut out on inside of this line (following the countertop manufacturer's instructions).



Continue to Step 3 on previous page and follow remaining top mount installation instructions.

LEGAL DISCLAIMER

All technical data and information provided in this publication is done as a public service to customers of Transolid® and consumers of our products. All names, designs, and model numbers of products are trademarks of Transolid®. Prices and specifications of Transolid's products are subject to change without notice or obligation. Transolid® may also change or discontinue models of its products without notice or obligation. While Transolid® endeavors to provide you with accurate information and descriptions of its products, accuracy and completeness cannot be guaranteed. Transolid® is not responsible for, nor does it have any liability for any mistakes or typographical errors, including liability for incidental, consequential, or special damages. All products should be inspected and measured promptly upon delivery and certainly before any improvements or alterations are done in anticipation of or preparation for installation. Transolid® assumes no liability for the use of such information or for any damages incurred through its use or application.

Nothing contained in this publication is to be construed as contractual or providing any form of warranty or representation on the part of Transolid®. **TRANSOLID® MAKES NO WARRANTIES, EXPRESS OR IMPLIED, INCLUDING BUT NOT LIMITED TO ANY WARRANTY OF MERCHANTABILITY OR OF FITNESS FOR A PARTICULAR PURPOSE, AS TO THE INFORMATION CONTAINED HEREIN OR THE PRODUCTS DESCRIBED HEREIN.**



www.transolid.com

©2017 Transolid® All Rights Reserved



Suggestions for the Care and Cleaning of Transolid® Stainless Steel Sinks

When it comes to maintenance, Transolid® recommends to be consistent in your cleaning. It is better to clean on a more frequent basis and avoid the need for heavy duty cleaning.

Make sure your sink is clean and dry when not in use. This is the best method of preventive maintenance. Keep the sink water spot free and shiny by rinsing and towel drying after every use.

Keep your sink clog free to prevent standing water which can lead to mineral deposit build up. If a mineral build up should occur, use a mixture of vinegar and hot water to remove the deposit.

Use a soft cloth and liquid detergent on a mirror finish deck. Do not use any abrasive materials on a mirror finish.

Clean stainless steel at least once a week.

Apply stainless steel cleaner/polish with a non-abrasive cloth or sponge, working with, not across, the grain.

Do not use steel wool, wire brushes or abrasive sponge pads. These will leave an iron residue that will eventually lead to rust and particles that will corrode the sink. Use only non-scratch cleaning pads.

Do not leave any steel or cast iron cookware in the sink for a long period of time. This may leave iron particles that will corrode the sink.

Anything left in the sink can trap moisture which will eventually lead to staining.

Cleaners containing chloride (bleach) are not recommended. If used, rinse the surface immediately to prevent corrosion.

Most stainless steel products will scratch from everyday use. However, these scratches will blend over time to create a unique finish.

Do not store open containers of cleaners or chemicals such as acids, bleach, sodium chloride, lye, toilet bowl cleaner, drain cleaner, or hard water stain removal products under your sink.

Success with cleaners and procedures is dependent upon such factors as the hardness and temperature of the water, using exact measurements of ingredients, changes in cleaning formulas and the condition of the product being cleaned. Since there are variations within these factors, Transolid® cannot guarantee the effectiveness of the formulas mentioned.

Care Tip

Allowing water to evaporate on metal will form water deposits. To avoid this and keep your product looking beautiful, it is important to wipe the sink clean with a soft cloth after each use.

Products to Consider

- Mild non-scratching abrasive cleansers
- Bon Ami
- Zud
- Cameo
- Bar Keeper's Friend Soft Cleanser
- Stainless steel cleaner & polish
- Formula 409 Antibacterial All Purpose
- Windex Original

TRANSOLID® LIMITED LIFETIME WARRANTY

All TRANSOLID® stainless steel sinks feature a LIMITED LIFETIME WARRANTY to be free of all manufacturing defects under normal use.

LIMITED SINK WARRANTY

Transolid® will replace without charge, (excluding labor & transportation costs) any stainless steel sink or fireclay sink supplied by Transolid® that is proven to be defective, with an equivalent replacement, within the specific appropriate period from date of purchase, to the original owner, provided it has been used solely in a residential application and installed in accordance with the Transolid® installation instructions, used and cleaned as recommended, and not damaged due to abuse, misuse, or negligence. For installed warranty concerns, please contact Transolid® directly for further information and proper documentation. In the event of a warranty claim, the owner will be required to provide proof of purchase in the form of sales receipt.

This warranty will not cover any damages which might be caused by the product. (Some states do not allow such limitation, so this reference may not apply to you.)

Transolid® reserves the right to inspect any sink reported to be defective prior to replacement of the sink. All decisions are final. Replacement cost EXCLUDES transportation and any labor costs for the removal or reinstallation.

Stainless steel is virtually carefree, but yet it can be dented, scratched and harmed by certain chemicals. Simple cleaning techniques and use of stainless grids can keep your sink looking great everyday.

Transolid® shall not be liable in case of:

- Improper installation/modification
- Damages resulting from abuse, such as heavy impact or dropped objects
- Improper care or maintenance
- Improper applications (such as exposure to corrosive chemicals, photographic solutions, etc.)
- Any modifications made to the product after it left Transolid® premises
- Commercial application
- Scratches - Due to use

SINK ACCESSORIES

Transolid® carries a 1 YEAR LIMITED WARRANTY ON ALL SINK ACCESSORIES to be free of all manufacturing defects under normal use.

These warranties supersede all other warranties, expressed or implied.

The foregoing warranties are exclusive and made only to the buyer. No other warranty, whether express, implied, or statutory, including any warranty or merchantability or fitness for a particular purpose shall be deemed to exist in connection with any of the goods or services supplied hereunder, and any implied warranties for a period greater than the warranty period contained in Transolid's limited warranty are hereby excluded. Transolid® shall not be liable for any indirect, incidental, special or consequential damages in any way related to the goods or services supplied hereunder. No employee, agent, or other person is authorized to give any warranties on behalf of Transolid in addition to or different from the herein given to assume for Transolid any other liability in connection with any of its products except if in writing is signed by an officer of Transolid and expressly and intentionally gives such warranties or assumes such liability.

Cuando se trata de mantenimiento, Transolid® recomienda que sea consistente en su limpieza. Es mejor limpiar sobre una base más frecuente y evitar la necesidad de la limpieza pesada.

Asegúrese de que el fregadero esté limpio y seco cuando no esté en uso. Este es el mejor método de mantenimiento preventivo. Mantenga el fregadero libre de manchas de agua y brillante por enjuague y secado con toalla después de cada uso.

Mantenga su fregadero libre de obstrucción para evitar el agua estancada que puede conducir a acumulación de depósito mineral. Si se produce una acumulación de minerales, use una mezcla de vinagre y agua caliente para eliminar el depósito.

Utilice un paño suave y detergente líquido en un fregadero de acabado espejo. No utilice materiales abrasivos en el acabado del espejo.

Limpie el acero inoxidable al menos una vez a la semana.

Aplique el limpiador / pulidor de acero inoxidable con un paño o una esponja no abrasivos, trabajando con, no a través, del grano.

No utilice lana de acero, cepillos de alambre o esponjas abrasivas. Estos dejarán un residuo del hierro que conduzca eventual al moño ya las partículas que corroerán el fregadero. Utilice sólo almohadillas de limpieza sin rascar.

No deje ningún utensilio de acero o de hierro fundido en el fregadero durante un largo período de tiempo. Esto puede dejar partículas de hierro que corroen el fregadero.

Cualquier cosa que queda en el fregadero puede atrapar la humedad que eventualmente conducirá a manchas.

No se recomiendan limpiadores que contengan cloruro (blanqueador). Si se usa, enjuague la superficie inmediatamente para evitar la corrosión.

La mayoría de los productos de acero inoxidable rayarán el uso diario. Sin embargo, estos rasguños se mezclarán con el tiempo para crear un acabado único.

No guarde recipientes abiertos de limpiadores o productos químicos tales como ácidos, lejía, cloruro de sodio, lejía, limpiador de inodoro, limpiador de drenaje o productos de eliminación de manchas de agua dura debajo de su fregadero.

El éxito con los limpiadores y los procedimientos depende de factores tales como la dureza y temperatura del agua, usando mediciones exactas de ingredientes, cambios en las fórmulas de limpieza y el estado del producto que se está limpiando. Dado que existen variaciones dentro de estos factores, Transolid® no puede garantizar la eficacia de las fórmulas mencionadas.

Consejo de cuidado

Permitir que el agua se evapore sobre el metal formará depósitos de agua. Para evitar esto y mantener su producto buscando hermoso, es importante limpiar el fregadero limpio con un paño suave después de cada uso.

Productos a considerar
 Limpiadores abrasivos suaves no rasguños
 Bon Ami
 Zud
 Cameo
 Bar Keeper's Friend Soft Cleanser
 Limpiador y abrillantador de acero inoxidable
 Formula 409 Antibacterial All Purpose
 Windex Original

TRANSOLID® GARANTÍA LIMITADA DE VIDA

Todos los fregaderos de acero inoxidable TRANSOLID® cuentan con una GARANTÍA DE VIDA LIMITADA para que no presenten defectos de fabricación en condiciones normales de uso.

GARANTÍA LIMITADA DEL FREGADERO

Transolid® reemplazará sin cargo alguno (excluyendo los costos de mano de obra y transporte) cualquier fregadero de acero inoxidable o fregadero Fireclay suministrado por Transolid® que esté probado ser defectuoso, con un reemplazo equivalente, dentro del período apropiado especificado desde la fecha de compra al dueño original. Siempre y cuando se haya utilizado exclusivamente en una aplicación residencial e instalado de acuerdo con las instrucciones de instalación de Transolid®, utilizado y limpiado como se recomienda, y no dañado debido a abuso, mal uso o negligencia. Para los problemas de garantía instalados, póngase en contacto con Transolid® directamente para obtener más información y documentación adecuada. En el caso de una reclamación de garantía, el propietario deberá presentar prueba de compra en forma de recibo de venta.

Esta garantía no cubre los daños que pudieran ocasionar el producto. (Algunos estados no permiten tal limitación, por lo que esta referencia puede no aplicarse a usted.)

Transolid® se reserva el derecho de inspeccionar cualquier fregadero de la cocina declarado defectuoso antes de su reemplazo. Todas las decisiones son finales. Costo de reemplazo EXCLUYE el transporte y cualquier costo de mano de obra para la remoción o reinstalación.

El acero inoxidable es virtualmente desprecupado, pero sin embargo puede ser abollado, rasguñado y dañado por ciertos productos químicos. Técnicas de limpieza simples y el uso de rejillas de acero inoxidable puede mantener su fregadero mirando gran diario.

Transolid® no será responsable en caso de:

- Instalación / modificación inadecuada
- Datos resultantes de abuso, tales como impactos fuertes o objetos caldos.
- Cuidado o mantenimiento inadecuado
- Las aplicaciones inadecuadas (como la exposición a productos químicos corrosivos, soluciones fotográficas, etc.)
- Cualquier modificación introducida en el producto tras la salida del producto de las instalaciones de Transolid®.
- Aplicación comercial
- Rasguños - Debido al uso

ACCESORIOS DE FREGADERO

Transolid® lleva una GARANTÍA LIMITADA DE 1 AÑO EN TODOS LOS ACCESORIOS DEL FREGADERO para estar libre de todos los defectos de fabricación bajo uso normal.

Estas garantías sustituyen a todas las demás garantías, expresadas o implícitas.

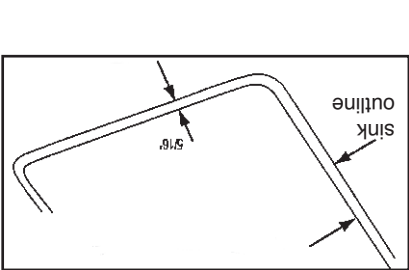
Las garantías anteriores son exclusivas y se hacen solamente al comprador. No se considerará que exista ninguna otra garantía, ya sea expresa, implícita o legal, incluyendo cualquier garantía o comerciabilidad o idoneidad para un propósito en particular, en relación con cualquier de los bienes o servicios suministrados en el presente y cualquier garantía implícita por un período mayor que la garantía. Transolid® no será responsable de ningún daño indirecto, incidental, especial o consecuente de cualquier forma relacionada con los bienes o servicios suministrados en el presente documento. Ningún empleado, agente u otra persona está autorizada a otorgar ninguna garantía en nombre de Transolid, además de o diferente de la presente, para asumir cualquier otra responsabilidad relacionada con cualquiera de sus productos, excepto si está firmada por escrito por un oficial De Transolid y expresa e intencionalmente otorga tales garantías o asume tal responsabilidad.



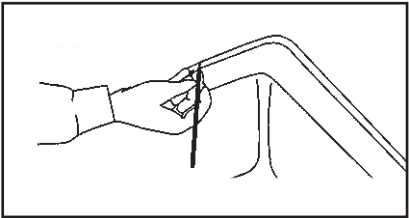
www.transolid.com

©2017 Transolid® Todos los derechos reservados

NOTA LEGAL
Todos los datos técnicos e información proporcionados en esta publicación se realizan como un servicio público a clientes de Transolid® y consumi-



2. Dibuje una línea que represente la abertura real 5/16 pulgada dentro del contorno del fregadero, toda la manera alrededor. Haga el recorte dentro de esta línea (siguiendo las instrucciones del fabricante de la encimera).

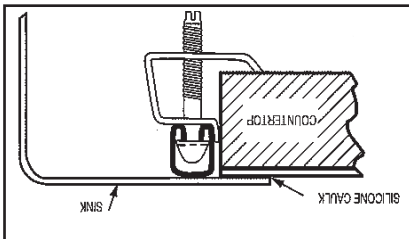


1. Coloque el fregadero boca abajo en la superficie de la encimera. Tenga en cuenta el espacio adecuado para el grifo, el respaldo y cualquier accesorio, como un dispensador de jabón / loción. Coloque el fregadero en la posición exacta para la instalación y con un lápiz dibuje una línea completamente alrededor del fregadero para crear un contorno del fregadero.

Cree su propia plantilla.

8. Retire el exceso de calafateo y permita que se cure adecuadamente siguiendo las instrucciones recomendadas por el fabricante del calafateo..
Instale las líneas de suministro de agua, accesorios de drenaje y otros artículos.

NOTA: no apriete completamente un clip a la vez. Apriete parcialmente el clip y apriete parcialmente el clip del otro lado del fregadero. Después de que cada clip esté parcialmente apretado, repita el proceso, apriete completamente cada clip. Esto garantiza una instalación segura y evita daños al fregadero.

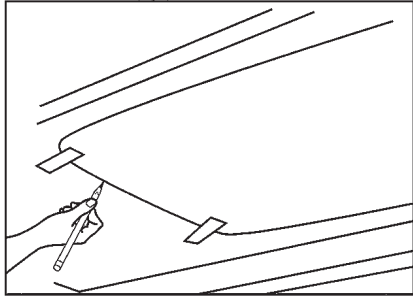


7. Desde la parte inferior del fregadero, coloque una abrazadera cerca del centro y aprétela a mano lo suficiente para sostener el fregadero en su lugar. Esto se aplica a los cuatro lados. A continuación, sujete las abrazaderas restantes en posición y apriete a mano. Las abrazaderas deben espaciarse de la forma más equitativa posible. El hardware suministrado acomodará las encimeras más gruesas que 3/4 de pulgada hasta 1-1 / 2 pulgada.

8. Retire el exceso de calafateo y permita que se cure adecuadamente siguiendo las instrucciones recomendadas por el fabricante del calafateo..

Instalación de fregadero recomendada sólo para instaladores profesionales.

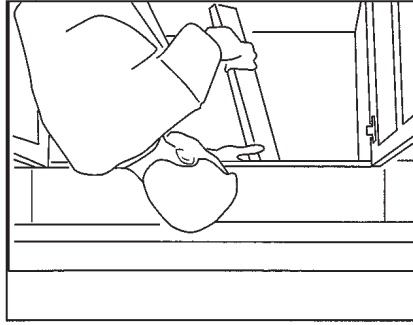
1. Corte la plantilla y colóquela en la encimera, asegurándose de que el frente del fregadero esté paralelo al frente del mostrador. Asegúrese de que el fregadero esté bien centrado, tanto de adelante hacia atrás y de lado a lado. Tenga en cuenta el espacio adecuado para el grifo, el respaldo y cualquier accesorio, como un dispensador de jabón / loción.



Compruebe la holgura adecuada en relación con las paredes del armario y los cajones extraíbles. Fije la plantilla en su lugar con cinta adhesiva. Traza alrededor de la plantilla.

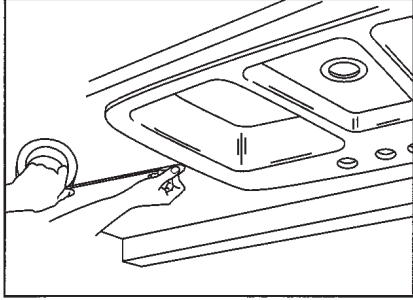
NOTA: Método alternativo: cree su propia plantilla. (Véase la página siguiente). Las plantillas de papel y / o cartón se suministran sólo como guía. El uso del fregadero real asegura un corte más exacto.

2. Coloque un soporte debajo de la encimera para apoyar el área del recorte del fregadero. Esto también hará más fácil hacer el recorte del fregadero.



Cortar la encimera a lo largo de la línea de la plantilla con la herramienta adecuada para el material de la encimera.

3. Ensaye encajar el fregadero, insertándolo en la encimera para probar si el corte es el tamaño correcto.



Marque el borde del fregadero con cinta adhesiva en la encimera. Retire el fregadero y realice los ajustes necesarios en el corte o colocación. (La forma más fácil de manejar el fregadero está en los orificios de drenaje, especialmente si es un fregadero de doble tina).

4. Instale el grifo y otros accesorios tales como spray lateral o dispensador de jabón / loción en el fregadero. Conecte las líneas de suministro (no incluidas) al grifo siguiendo las instrucciones apropiadas. (No instale las cestas del filtro del fregadero hasta que el fregadero esté en su lugar.

5. Limpie a fondo la parte inferior de la brida del fregadero y la superficie de sellado de la abertura de la encimera para eliminar la suciedad o residuos. Secar a fondo y aplicar un cordón continuo de un calafate de silicona de alta calidad (no suministrado) a la parte inferior de la brida del fregadero cerca del borde. Coloque el fregadero en la abertura del mostrador dentro de la cinta adhesiva.

6. Baje el fregadero en el agujero, siguiendo las directrices creadas por la cinta adhesiva.

FREGADERO DE ACERO INOXIDABLE INSTALADO EN LA PARTE SUPERIOR DEL MOSTRADOR

Estas instrucciones son para instalar fregaderos de acero inoxidable de montaje superior Transolid®. Los fregaderos de montaje superior se instalan desde arriba de la encimera y se sellan en la parte superior del mostrador. Si está instalando otro tipo de fregadero, como el fregadero Undermount que se instala debajo del contador, consulte las instrucciones específicas para esos fregaderos.

ATENCIÓN INSTALADOR:

Transolid® recomienda que todos los mostradores sean cortados por un instalador aprobado o certificado y que los lavabos sean instalados por el instalador siempre que sea posible. La unidad de la encimera / fregadero idealmente debe instalarse como una en el sitio de trabajo.

Transolid® no se responsabiliza por el fregadero o el mostrador si se dañan durante la instalación.

Los bordes metálicos pueden ser afilados - tenga cuidado al manipularlo.

Recuerde, es su responsabilidad seguir todos los códigos locales de plomería y construcción. Inspeccione el fregadero para ver si hay daños antes de comenzar la instalación. No instale una unidad dañada.

La garantía se anulará si no se siguen estas instrucciones de instalación.

Las plantillas se proporcionan sólo como una guía. El uso físico del fregadero garantizará un recorte más preciso.

Las instrucciones que empiezan en la siguiente página son instalar un fregadero de acero inoxidable Transolid® instalado en la parte superior del mostrador. Asegúrese de leer todas las instrucciones completamente antes de comenzar la instalación.

Herramientas y materiales que necesitará
Se recomienda la protección de los ojos (gafas de seguridad)
Protección auditiva fuertemente recomendada
Plantilla para instalar el fregadero en la parte superior del mostrador suministrado por Transolid.
Clips para instalar el fregadero en la parte superior del mostrador suministrado por Transolid. (NOTA: Los clips vienen con el fregadero y están en una bolsa de plástico separada, por favor asegúrese de que no se descarten con el cartón.)
Herramienta de corte y cuchillas apropiadas para el material de la encimera
Taladro y broca para taladro
Tirantes de madera
Destornillador ranurado de tamaño mediano, largo / más fácil
Cinta métrica
Lápiz (no marcador permanente)
Martillo de peen bola (6 onzas)
Archivo (herramienta)
Sellador apropiado para el material de la encimera
Harapos