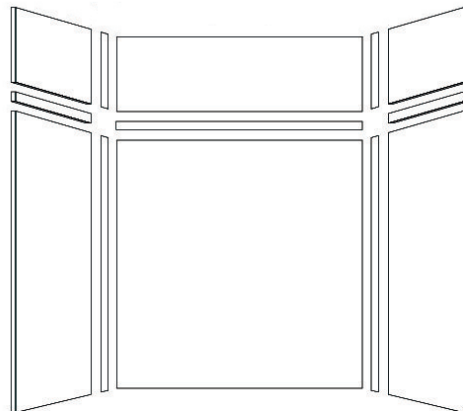
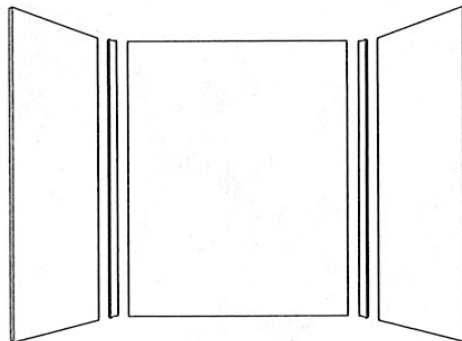




Transolid Expressions Solid Surface Shower Wall Kits and Panels

**PRODUCT WARNINGS
SAFETY GUIDELINES
KIT CONTENTS
REQUIRED TOOLS
PREPARATION TIPS
INSTALLATION PROCEDURE
CLEANING & MAINTENANCE
SURFACE REPAIR
WARRANTY INFORMATION**



READ AND UNDERSTAND BEFORE INSTALLING

Form #EWK-11.18

IMPORTANT NOTICE

IMPORTANT NOTICE: Indicates that equipment or property damage can result if instructions are not followed.

Read and Understand the Manual

It is the responsibility of any individual who installs or maintains this product to fully understand and follow proper installation and maintenance procedures. Be aware of the inherent dangers in the use of power tools when installing this product. Read and understand all Warnings, Cautions, and Important Notices in this manual.

Work Safely

DO NOT proceed if any doubt arises about the correct or safe method of performing anything found in this or other Transolid® manuals. The installation of this product can require using power tools. Do not use power tools without adequate training. If necessary, hire or consult a trained professional for expert assistance before continuing.

Use Proper Tools

Always use proper tools which are in good, working condition during the installation of the Transolid® products. Using tools other than those listed could adversely affect the integrity of floors, pipes, walls, or this product and could result in water damage or other damage to floors, pipes, walls, or other portions of your building or home.

Do Not Use Nails

The panels mount to walls with 100% clear silicone sealant only. Transolid® recommends 100% clear silicone sealant to mount this product. Never use hammers, nails, or screws. Hammers, nails and screws could adversely affect the integrity of this product. Nails and screws could puncture the Transolid® Wall Systems and Panels, resulting in water or other damage to floors, pipes, walls or other portions of your building or home.

Inspect Before Cutting

Make sure no electrical wiring or plumbing is present before cutting into a wall to install any accessories.

Wall Conditions

Inspect the walls before installing the Transolid panels. Never install panels over damp walls or an existing mold condition.

Use Proper Installation Methods

Follow all instructions related to wall surface preparation. Failure to follow such instructions could cause the panels to detach from the wall surface after installation, resulting in personal injury. Failure to follow these instructions could result in water damage.

Lifting Hazard

According to the National Institute of Occupational Safety and Health, the recommended maximum safe lifting weight is 51 pounds, with all lifting conditions perfect - minimal forward reach, steady load close to the body, straight back, load between knees and shoulders, and good grips. To avoid personal injury, always use these proper lifting techniques and use two people to move carton weighting more than 51 lbs. The box containing Transolid® Expressions kit can weigh in excess of 280 pounds. Use the appropriate lifting devices to move the load. Always use two people when lifting heavy or bulky cartons. DO NOT attempt to lift objects that are too heavy. When carrying a heavy load - get help!

Room Temperature

Allow Transolid Expressions panels to adjust to room temperature for at least six hours before installation, and consult the 100% silicone sealant manufacturer's instructions for storage and surface preparation. The panels should be installed at temperatures not less than 65°F. Panels should not be installed in areas where the temperature may drop below freezing (32°F). Failure to follow this recommendation could adversely affect the silicone sealants which holds the panels to the wall. If the panels are not correctly adhered to the walls, they may fall off, causing possible injury to someone in or around the shower enclosure.

Eye Protection

Be sure to use all personal protective equipment to ensure your own safety. To avoid eye injury, always wear protective glasses with side shields when using power tools. Also, make sure no one else can be injured by flying particles when using power tools.

Grab Bars

We recommend that shower compartments be equipped with support grab bars that comply with the most recent edition of ANSI-A117.1 requirements. Grab bars must be anchored to structural support (wall studs) behind the panels. Do not rely on the panels only for grab bar support.

Personal Protection

Be sure to use all personal protective equipment, such as sturdy work boots, preferably with steel toes, gloves, and hard hat, if necessary, to ensure your own safety. To prevent possible damage to your hearing, always wear ear protection, such as earmuffs or earplugs, when working around power tools.

Cutting Hazard

The installation of Transolid product may require using power tools. Keep hands away from the cutting edge of any tool used in the installation of our product. Place fingers in or around the cutting blades could result in serious personal injury.

Sharp Edge Hazard

After cutting the edge of a Transolid® panel, it can be sharp. Wear protective gloves to prevent personal injury.

Slipping Hazard

Do not install this product in the presence of water. Installing this product without drying all surfaces, or in the presence of water, could cause you to slip and fall due to wet floors or spilled fluids. Personal injury can result from slips or falls. Before installation, dry all surfaces, including the floor, with a cloth or paper towel. Clean up all water or spilled fluids immediately.

Fire Hazard

Personal injury or death can result from a fire caused by flammable liquids or silicone sealants. Cleaners or solvents can be highly explosive, resulting in personal injury or even death, when not used properly. Clean up any flammable substance immediately. Sparks or open flames can cause flammable substances to ignite. DO NOT smoke while working on or near any flammable substance.

Solvent Hazard

Follow all manufacturer's safety instructions for silicone sealants and denatured alcohol. Alcohol vapors are both flammable and hazardous to breathe. Silicone vapors may irritate eyes and nose. Personal injury can result from improperly handling or use of products, such as denatured alcohol. Always follow the manufacturer's recommendations for the safe use of these products. Ventilate any work area before beginning to apply silicone sealants, cleaning agents, or solvents.

Fumes Hazard

The fumes from the silicone and solvents used by the installer can be harmful if used in an unventilated room. Always work in a well ventilated area. To keep the area well-ventilated, open windows and use exhaust fans. If adequate ventilation is not achievable or practical, use respiratory protective equipment.

Dust Hazard

When cutting or drilling Transolid Expressions product, use a dust collection method which prevents dust particles from going into the air. Always work in a well-ventilated area. Always use an OSHA approved dust mask when cutting, drilling, or sanding Transolid® products.

Power Tool Hazard

To prevent personal injury or possible death, always follow the electrical safety recommendations of the power tool's manufacturer. Do not use power tools in an unsafe manner. Power tools should only be connected to a circuit protected by a ground-fault circuit interrupter (GFI).

Shock Hazard

Never use electric power tools around water, condensation, or other liquids. Electric shock can cause severe burns, significant injuries, and even death. If an extension cord is required, always use an OSHA approved extension cord. Power cords should only be connected to a circuit protected by a ground-fault interrupter (GFI).

WARNING

Electrical Shock Hazard

Contacting live electrical wiring with power tools or hand tools can cause serious injury or death. Make sure all related circuit breakers are turned OFF. Test for live circuits or wiring inside any wall where installation of the Transolid® product requires cutting into a wall.

Electrocution Hazard

Water and other liquids conduct electric current and can create a short circuit, resulting in injury or death. Keep all liquids away from electrical cords and power tools. DO NOT create a short circuit between a source of electricity and a liquid by being in contact with both simultaneously.

General Information

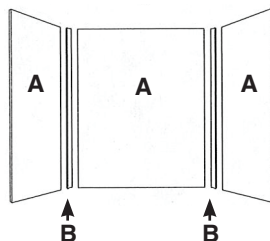
Required Tools

- 100% clear silicone sealant
- Circular saw with 60 to 80 tooth carbide blade
- Saber saw (straight up and down travel) with bi-metal blade (14 teeth per inch)
- Drill with 3/8" drill bit
- Hole saw for shower faucet/shower head
- Tape measure
- Masking tape (2" wide works best)
- Level
- Compass or dividers (scribe the panel to the wall)
- Caulking gun
- Clean paper towels or shop towels
- 2 x 4 lumber, as required for bracing (see Bracing Instructions)
- Industrial grade, hot glue gun and glue sticks (optional)
- Denatured alcohol

Kit Contents

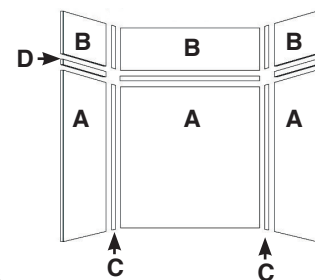
Confirm that all parts of this kit has been included before beginning installations.

- EWK363672, EWK363696
- EWK423672, EWK423696
- EWK424272, EWK424296
- EWK483672, EWK483696
- EWK484872, EWK484896
- EWK603272, EWK603296
- EWK603672, EWK603696
- EWK604272, EWK604296
- EWK604872, EWK604896
- EWK606072, EWK606096



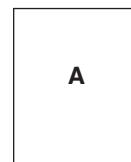
- A. 3 flat wall panels
(2 end walls, back wall)
- B. 2 inside corner trim pieces

- EWKX363696, EWKX423696
- EWKX424296, EWKX483696
- EWKX484896, EWKX603296
- EWKX603696, EWKX604296
- EWKX604896, EWKX606096



- A. 3 flat wall panels
(2 end walls, back wall)
- B. 3 flat wall extension panels
(2 end walls, back wall)
- C. 4 inside corner trim pieces
- D. 2 seam joint trim pieces (cut to size on site)

- EW3672, EW3696
- EW4896
- EW6072, EW6096



- A. 1 flat wall panel
(trimmable)

For best results, use 100% clear silicone sealant for bonding this product to a properly constructed and prepared sub wall. You will need one tube of 100% clear silicone sealant (sold separately)(tube sized to fit a standard caulking gun) for every 1440 square inches or 10 square feet, or 4 to 10 tubes for an average shower. Follow the application recommendation located in the Panel Installation of this manual.

Unpackaging

- Use care when opening the box so that you do not damage the panels.
- This product is shipped to you or your retail center after careful inspection. After purchasing the kit, carefully unbox and inspect the product for any shipping damage that may have occurred. If damage is found, report it immediately to the store of purchase. After inspection and during installation, protect the products from construction damage by moving them to another room or area until ready to install.

•Store panels in a flat area to avoid warpage until the time of installation. Do not store the panels outside of the original packaging in a vertical position.

•Please use the model number located on the side of the box or the front of this manual when contacting us with questions concerning the installation of this unit.

•Make sure the walls are the correct size and are in good condition. Installation of damaged product will void the warranty.

Helpful Hints

- Read these instructions carefully and familiarize yourself with the various parts of the kit.
- The variety of installations possible for this kit may require procedures other than those shown. Ensure construction is correct-ly sized, plumb, and square.
- Save the large cardboard box for protection of the shower floor during the installation process and to use as a template for cutting the back shower wall panel.
- Allow sufficient time for the parts in this kit to adjust to room temperature. Transolid® does not recommend installation of this products at temperatures below 65 degrees.
- Sawhorses with 2 x 4 cross-members or a worktable are helpful during the installation process.
- Always transport the panels vertically. Use care when laying the panels flat to prevent flexing, especially when panels have a cut-out in them.
- Store unused materials away from the work area to prevent accidental damage.
- If the shower is placed above the garage or on an outside wall, care must be taken to ensure the shower is properly insulated from cold temperatures.

Preparation Tips

- Measure the width of the back wall (with green board) installed. This measurement cannot exceed the width of the Transolid® Expressions back panel. If the wall opening is too large, other methods or two panels will be required to cover the wall.
- Turn off the hot and cold water supply.
- Remove the faucet handles, escutcheons, filler spouts, and/or anything mounted to the wall (i.e. towel bars, soap dishes, etc.).
- Always measure the location of the plumbing cut-outs from the back wall forward and from the ledge of the shower base upward.
- Ensure all plumbing or electrical work inside the walls is finished prior to installation of the wall panels.
- Prepare the area with 1/2" (13mm) moisture-resistant drywall, marine grade plywood, or concrete board. Never install Transolid® products directly on any surface that is, or may become, wet or damp.
- Trial fit the side panels before you begin. Transolid® panels have a finished side and a non-finished backer side. The Transolid® panel should be placed with the non-finished side against the sub-wall.
- Walls must be solid, plumb, and square with 1/8" of true. Shim or trim the opening, as required. This kit has been designed with some adjustability for minor alignment problems.
- The mounting surface must be free of dirt, film, waxes, or any other residues.
- If you are installing a recessed accessory, cut the hole after the panel is installed and fully supported by the wall. Remember to position the accessory between the wall studs.

Caulking Tips

- Follow the instructions on the silicone sealant tube.
- When job is complete, inspect all caulked areas for gaps and fill as needed.
- Clean up any excess silicone that was missed using denatured alcohol and a clean cloth.
- Be very careful not to disturb caulk joints.

Installation Procedure

Transolid® Expressions wall panels can be installed over a variety of products. If you intend to apply the panels to any surface other than those described, consult with a professional contractor. Use the following sections when installing this product over:

- Sheetrock, Greenboard, Cement Board, Wood
- Plaster
- Cement/Concrete
- Old Tile
- Wallpaper
- Masonry

Sheetrock, Greenboard, Cement Board, or Wood

- Surface must be dry, smooth, and free of any dust, soap scum, or other contaminants.
- To ensure proper adhesion of the Transolid® Expressions product, the wall surface must be sealed with a water or oil-based primer/sealer.
- After the primer/sealer is completely dry, complete the installation following the instructions in this manual.

Plaster

Depending on the condition of the existing wall surface, additional silicone may be required to ensure contact between the substrate and the wall panel.

- Sand textured or swirled finishes smooth.
- Clean the wall surface with a damp cloth to remove any dust, soap scum, or any other contaminants. The wall surface must be dry and smooth.
- To ensure proper adhesion of the Transolid® Expressions product, the wall surface must be sealed with a water or oil-based primer/sealer.
- After the primer/sealer is completely dry, complete the installation following the instructions in this manual.

Cement/Concrete

Depending on the condition (flatness) of the existing wall surface, additional silicone may be required to ensure contact between the substrate and the wall panel.

- To ensure proper adhesion of the Transolid® Expressions product, the complete area must be sealed with two coats of water or oil-based primer/sealer.
- After the primer/sealer is completely dry, complete the installation following the instructions in this manual.

Old Tile

Depending on the condition of the existing wall surface, additional silicone may be required to ensure contact between the substrate and the wall panel.

IMPORTANT NOTICE

Old ceramic tiles, if solidly adhered, do not need to be removed. All plastic tiles must be removed.

Installation Procedure

- Remove or reattach any loose ceramic tiles. Old tiles and front edge ceramic tiles should be reset for appearance only.
- Remove any tile accessories attached to the walls.
- Remove the bottom row of tile and cut a ventilation gap in the substrate.
- Surface must be dry, smooth, and free of any dust, soap scum, or any other contaminants.
- Complete the installation following the instructions in this manual.

Note: If using a trim kit, old tiles may need to be removed to allow a proper fit.

Wallpaper

- All wallpaper must be removed from the area being covered. Clean the wall surface to remove any dust, soap scum, or other contaminants. The wall surface must be dry and smooth.
- To ensure proper adhesion of the Transolid® Expressions product, the complete wall surface must be sealed with two coats of water or oil-based primer/sealer.
- After the primer/sealer is completely dry, complete the installation following the instructions in this manual.

Masonite

- Clean the wall surface to remove any dust, soap scum, or any other contaminants. The wall surface must be dry and smooth.
- To ensure proper adhesion of the Transolid® Expressions product, the wall surface must be sealed with a water or oil-based primer/sealer.
- After the primer/sealer is completely dry, complete the installation following the instructions in this manual.

Followed carefully, these installation instructions will result in an easy, trouble-free installation of your Transolid® Expressions product. Any deviations, additions, and/or deletions from the prescribed installation, without prior written approval, will void the warranty covering this product.

Disclaimer

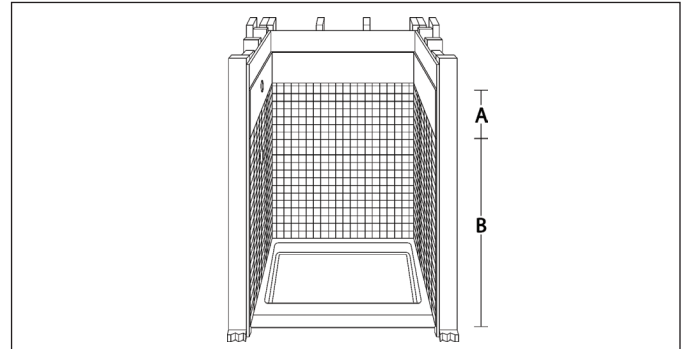
The information contained in this Installation Manual is given free of charge. It is based upon technical data which Transolid® believes to be reliable and is intended for use, by persons having knowledge of this technical area, at their own discretion and risk. Transolid® assumes no responsibility for results obtained or damage incurred from the use of this material either in whole or in part by the buyer.

- This manual will give you basic instructions for the installation of the product in a step-by-step sequence that will work in most types of installations. If you have an installation application that is not covered in this manual, please call your local Transolid® distributor or contact Transolid® directly for additional information about your application.

- Follow all installation instructions. Failure to follow these instructions could result in personal injuries, water damage, or other damage to floors, pipes, walls, or other portions of your building or home.

Filler Boards

If an existing wall covering (i.e. tile) does not extend to a height equal to the height of the panel, it will be necessary to install a filler board to that height. The filler board must be equal to the thickness of the existing wall covering (tile). Usually, 1/4" masonite or similar material is adequate. If desired, the filler board can extend from the top edge of the ceiling.



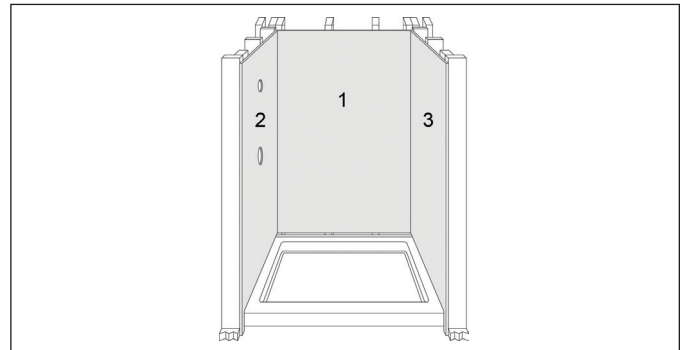
Note: Failure to use a filler board to properly install the panels could result in water damage to floors, walls, or other portions of your building or home.

Wallboard Installation

Note: If the Transolid® Expressions wall panels will be installed over an existing shower wall surface, proceed to the next section.

Install 1/2" moisture-resistant cement board or greenboard over (1) back, (2) left hand side, (3) right hand side wall surfaces of the rough opening.

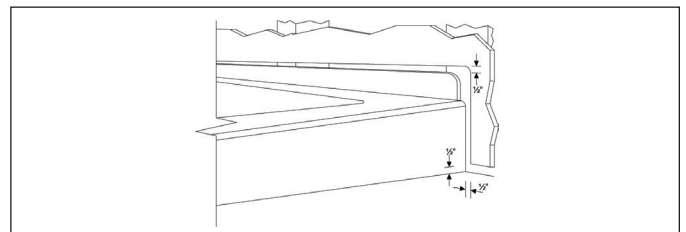
1. Measure and cut openings for the shower faucet(s) and shower head before installation.
2. Install the wall board with a 1/2" gap above the shower base side lip to prevent possible water (wicking affect) damage.



IMPORTANT NOTICE

For a finished appearance, install greenboard up to the front edge of the shower base.

In addition, if baseboard trim (not included) will later be installed along the floor next to the shower base, a 1/2" gap between the floor and bottom of the greenboard is recommended (see illustration below).



Installation Procedure

Wallboard Installation *continued*

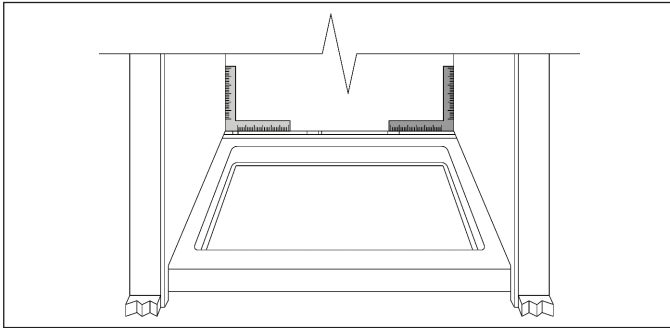
4. Apply a coat of water or oil-based primer/sealer to all the surfaces of the cement board or greenboard (follow the manufacturer's instructions). Allow the primer to dry thoroughly before installing the Transolid® Expressions panels.

Wall Panel Installation

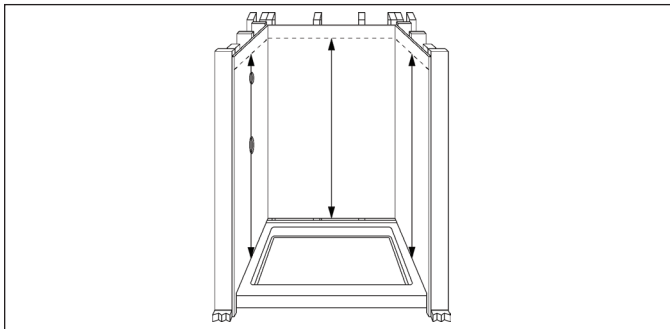
Back Panel

If the back wall measures less than the width of the panel, cut the panel to fit the opening.

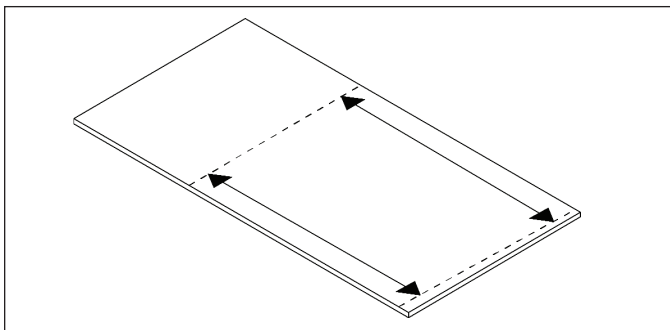
1. Using a builder's square, make sure the shower base is perpendicular to the side walls. If the walls are out of square, the bottom of all the panels may need to be cut to follow the contour of the shower base.



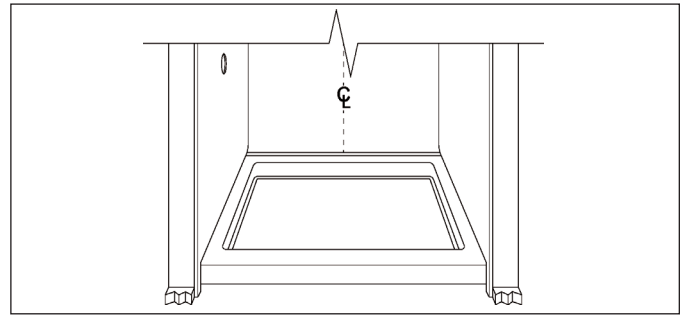
2. If the shower base is not perpendicular to the wall, use a level and draw a line around the alcove on all three walls. Measure the distance from the line to the top of the shower base.



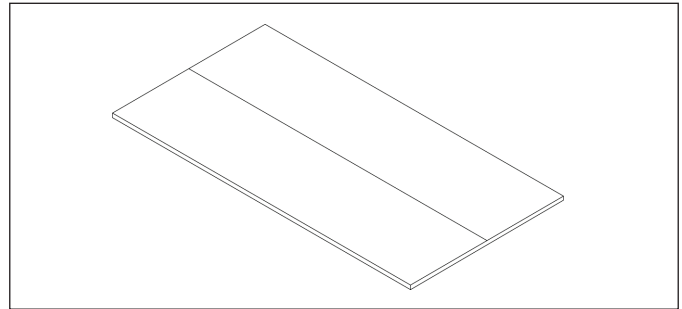
3. Transfer these measurements to both side panels and the back panel. Cut the bottom of the panels.



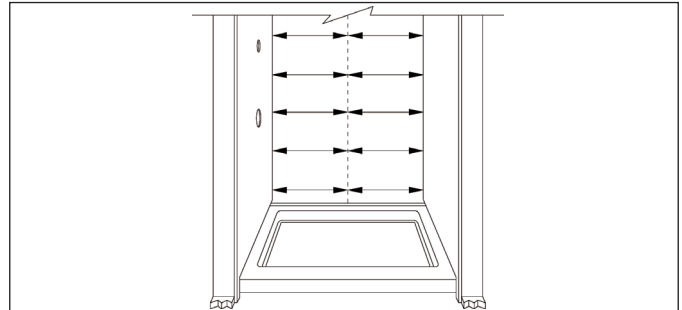
4. If the back panel must be cut (side-to-side) to fit the opening, find and mark the center of the back wall in the alcove opening. Use a level to draw a line from the shower base to a point above the height of the wall panel.



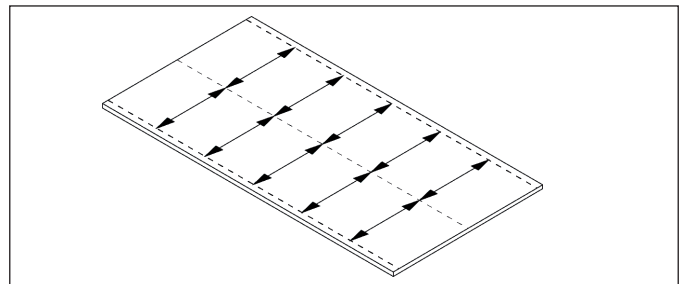
5. Place the panel, finished side facing up, on a flat surface. Using a pencil, lightly mark the center of the back panel.



6. Take several measurements, bottom-to-top, from the center line to each wall surface. These measurements will ensure the back panel fits the exact contour of the two.



7. Transfer the measurements onto the front surface of the back panel.



Note: The back panel can be cut **slightly** smaller than the opening because the side panels will cover any small gap (less than 1/4 inch).

Cutting the side panel to precisely fit the back is not necessary if a corner molding, supplied in wall kit, is used. This corner molding will cover gaps up to 1/2".

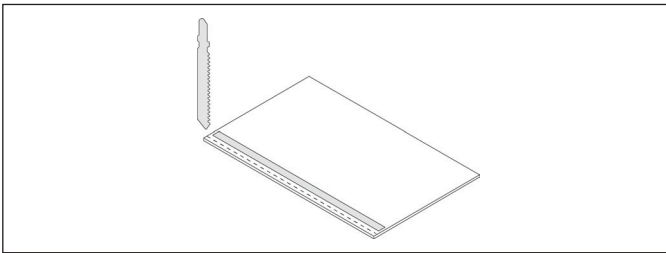
WARNING

Dust Hazard

When cutting or drilling the Transolid® Expressions product, use a dust collection method which prevents dust particles from going into the air. Always work in a well ventilated area. To keep the area well ventilated, open windows and use exhaust fans. Always use an OSHA approved dust mask when cutting, drilling, or sanding Transolid® products.

8. Place pieces of masking tape over the area where the saw contacts the finished surface of the panel.

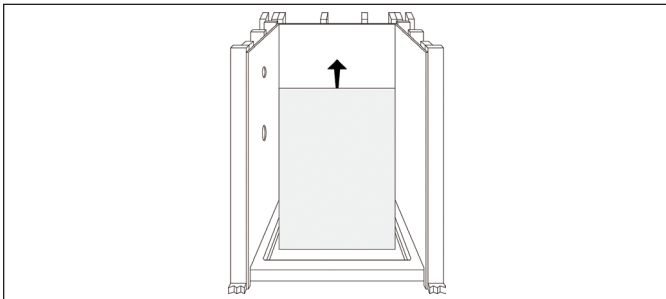
9. Cut the panel using a circular saw with a 60-80 tooth carbide blade or a saber saw with bi-metal blade (14 teeth per inch).



IMPORTANT NOTICE

Any cut out for accessories should have rounded corners (sharp corners can promote stress cracks).

10. Dry fit the back panel, and make any necessary adjustments. Temporarily secure the back panel to the wall in order to properly fit the front and rear panels.



IMPORTANT NOTICE

DO NOT force a panel to fit a bowed or curved wall as it may break; furthermore, the resiliency of the panel can break the silicone bond to the wall surface.

Side Panel (with shower controls)

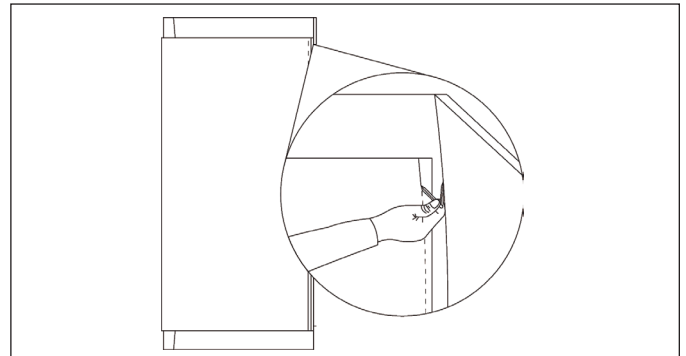
If the side panels do not require cutting to size, proceed to Step 5.

Note: Cutting the side panel to precisely fit the back is not necessary if a corner molding, supplied in wall kit, is used. This corner molding will cover gaps up to 1/2".

1. Place the panel on top of the shower base and slide it against the back wall panel. If the side panel has only one finished edge, make sure that the finished edge is facing out.

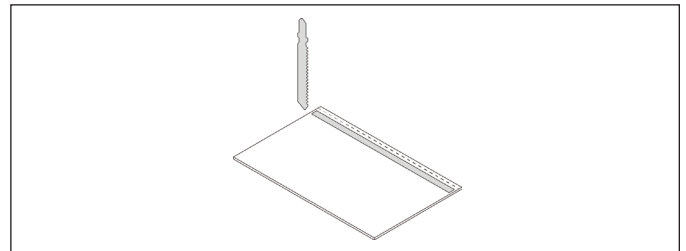
2. Scribe (mark) the panel, as shown. If the panel is wider than the wall, take this width into consideration when scribing the panel.

Note: Precisely scribing and cutting the panel will provide a clean 90 degree corner with no need for corner molding.

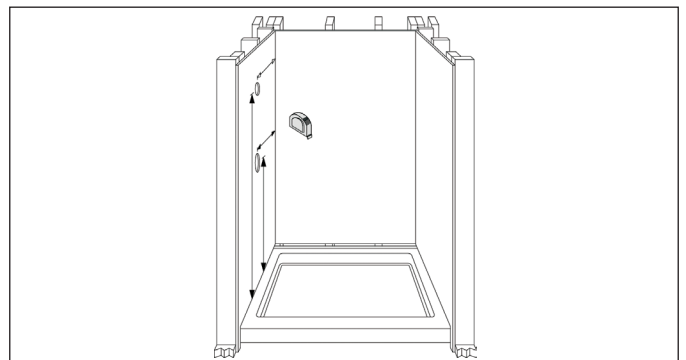


3. Place the panel, finished side facing up, on a flat surface. Place pieces of masking tape over the area where the saw contacts the Transolid® panel.

4. Cut the panel using a circular saw with a 60-80 tooth carbide blade or a saber saw with bi-metal blade (14 teeth per inch).



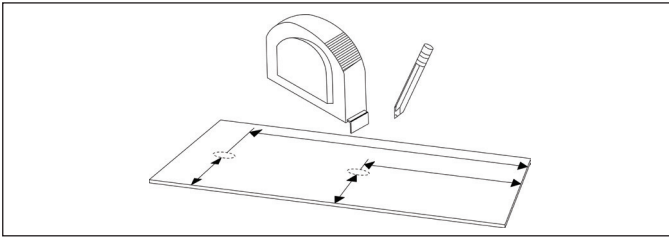
5. Measure the openings for the shower controls and shower head.



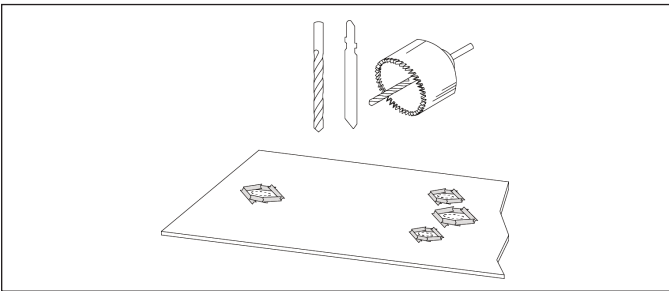
Installation Procedure

Side Panel (with shower controls) *continued*

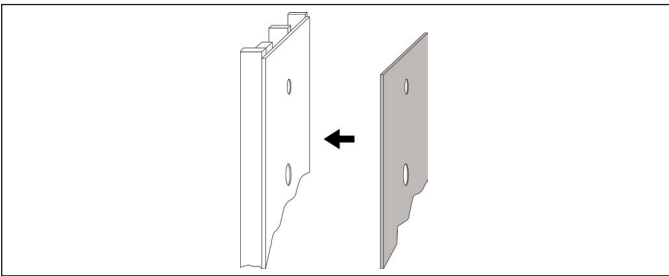
6. Place the panel, finished side facing up, on a flat surface. Transfer the measurements to the panel.



7. Cut clearance holes using a router, saber saw, or hole saw. Drill or cut from the finished side of the panel. For best results, when drilling, place a scrap of wood beneath the hole to ensure a clean cut.



8. Dry fit the panel, and make any necessary adjustments.



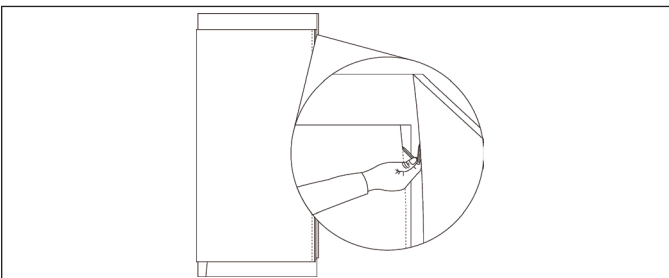
Side Panel (without shower controls)

If the panel does not require cutting to size, proceed to the next section.

1. Place the panel on top of the shower base and slide it against the back wall panel. If the side panel has only one finished edge, make sure that the finished edge is facing out.

2. Scribe (mark) the panel, as shown. If the panel is wider than the wall, take this width into consideration when scribing the panel.

Note: Precisely scribing and cutting the panel will provide a clean 90 degree corner with no need for corner molding.



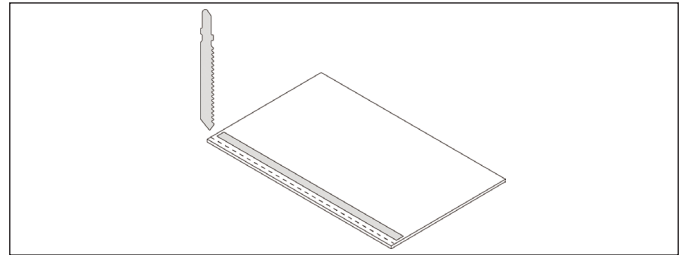
3. Place the panel, finished side facing up, on a flat surface. Place pieces of masking tape over the area where the saw contacts the Transolid® panel.

WARNING

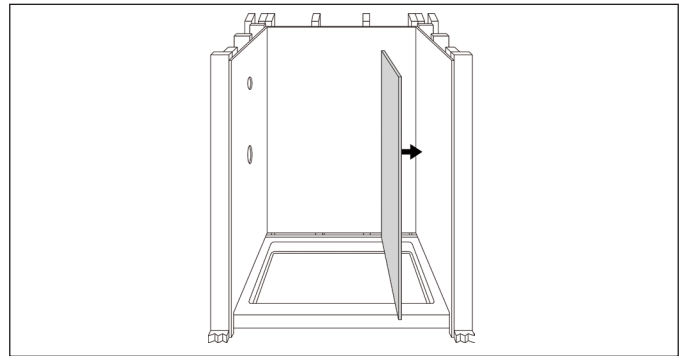
Dust Hazard

When cutting or drilling the Transolid® Expressions product, use a dust collection method which prevents dust particles from going into the air. Always work in a well ventilated area. To keep the area well ventilated, open windows and use exhaust fans. Always use an OSHA approved dust mask when cutting, drilling, or sanding Transolid® products.

4. Cut the panel using a circular saw with a 60-80 tooth carbide blade or a saber saw with bi-metal blade (14 teeth per inch).



5. Dry fit the panel, and make any necessary adjustments.



Installation Procedure

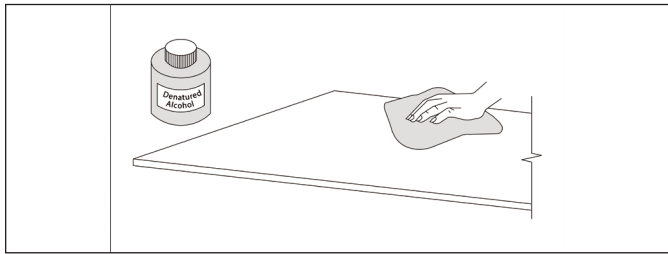
Panel Installation

WARNING

Fumes Hazard

The fumes from the silicone and solvents used by the installer can be harmful if used in an unventilated room. Always work in a well-ventilated area. To keep the area well-ventilated, open windows and use exhaust fans. If adequate ventilation is not achievable or practical, use res-piratory protective equipment.

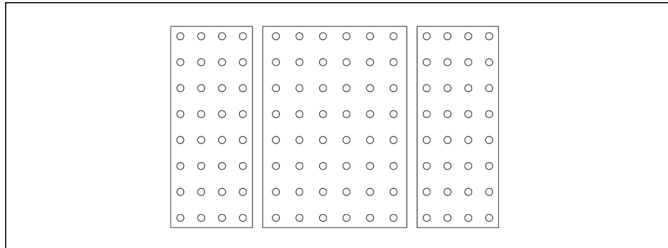
1. Clean the backs of each panel with denatured alcohol or another non oil-based cleaning solvent.



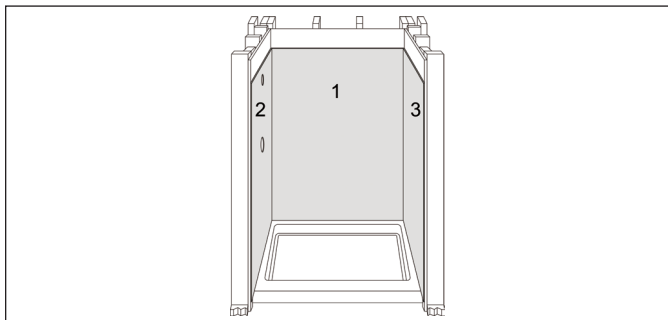
IMPORTANT NOTICE

Do not use oil-based cleaners, such as mineral spirits, to clean the panels. The oil in the cleaner will prevent the panel from adhering properly to the wall.

2. Apply the silicone in 1-1/4" diameter dots every 8 to 10 inches apart over the surface of the unfinished side of the panel. Follow the silicone manufacturer's instructions and note all ventilation and installation precautions.



3. Install back panel (1) first. Then, install left-hand panel (2). Finally, install right-hand panel (3).



4. Firmly press the surface of each panel against the wall. It is important to apply hand pressure to the entire surface of the panel to bond it to the wall surface.

Temporary Bracing

Install temporary bracing to hold the three panels in place until the silicone is completely set (usually 24 hours). This will allow proper curing of the silicone.

IMPORTANT NOTICE

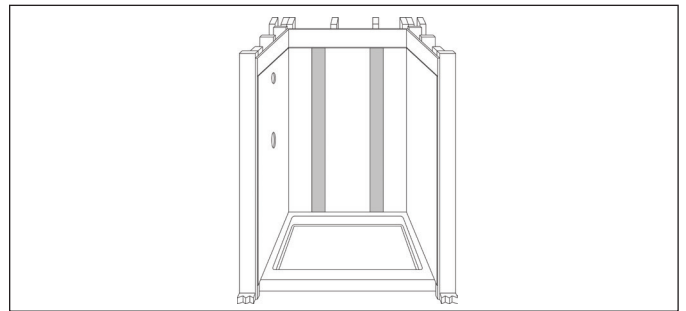
To ensure contact between the panels and walls until the silicone sets, install temporary bracing after completing installation. The bracing should be constructed from lengths of 2x4's. Failure to brace in the manner described could keep the pan-els from adhering, resulting in personal injury, as well as water damage or other damage to floors, walls, or other portions of your building or home.

IMPORTANT NOTICE

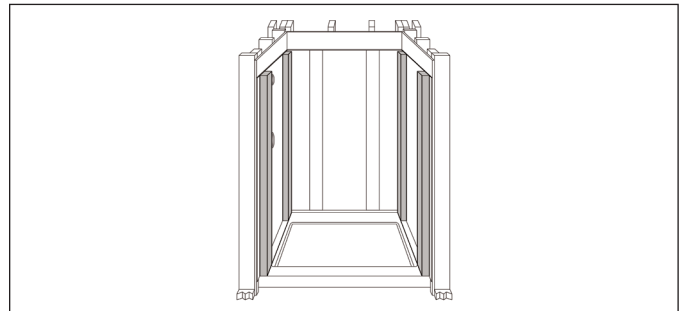
To prevent scratches or other damage, make sure there are no nails or other foreign objects in the surface of the bracing that is placed against the wall panel.

If the horizontal braces are fastened to the vertical braces using nails or screws, make sure the fasteners do not penetrate the surface of the panel. Also to prevent possible damage to the walls, do not apply excessive pressure to the braces.

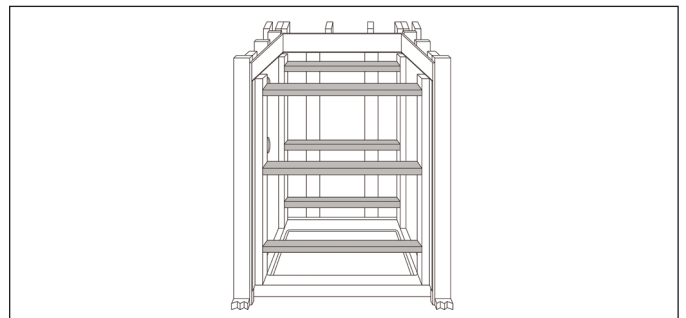
1. Place two or three braces against the back wall. Place two braces on panels that are 48" or less and three braces on panels greater than 48" wide.



2. Place two braces against each left and right wall.



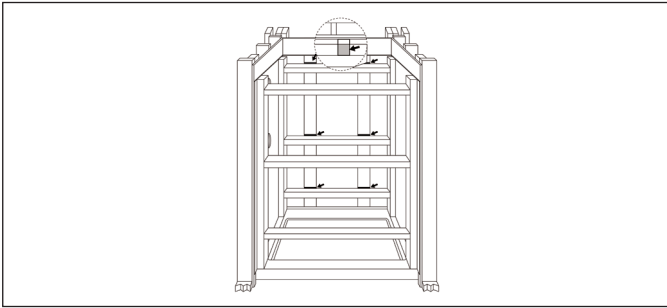
3. Install (wedge) three horizontal braces (six total) against the left and right wall braces.



Installation Procedure

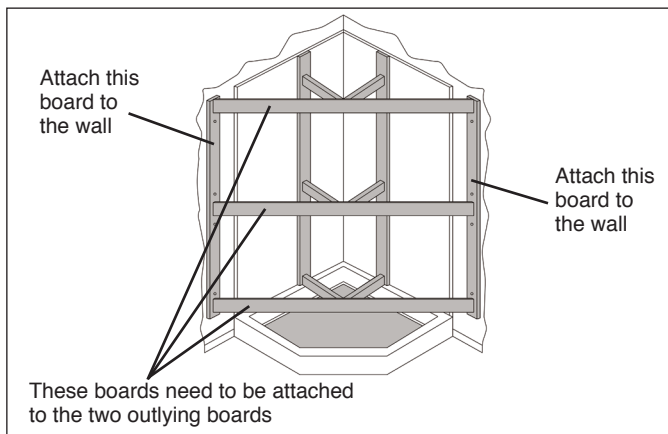
Temporary Bracing *continued*

4. Insert small blocks between the front-to-rear panel braces and the back panel braces. These will apply pressure to the back panel to hold it in place.



For corner shower wall installation use the following illustrated bracing design.

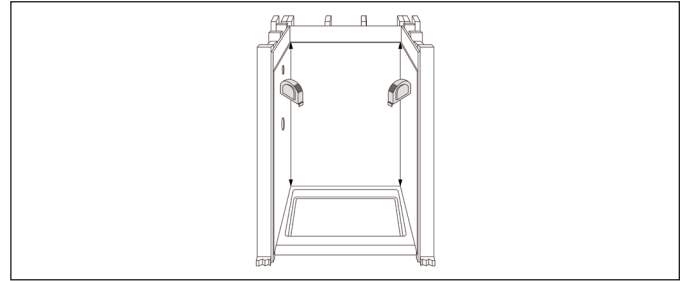
ATTENTION: Additional bracing may be required if the Transolid® panel does not make full contact to the wall it is adhered to.



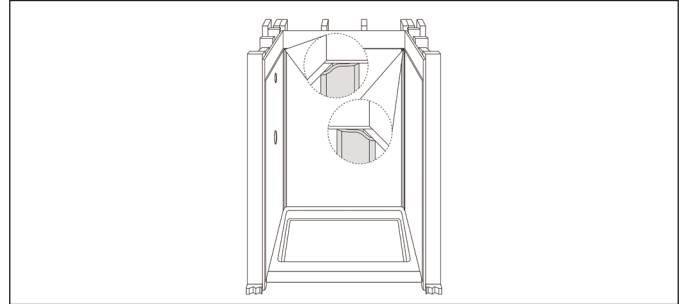
5. Remove the braces after 24 hours.

Corner Molding

1. Measure and cut the corner moldings to length.



2. Dry fit the corner molding.

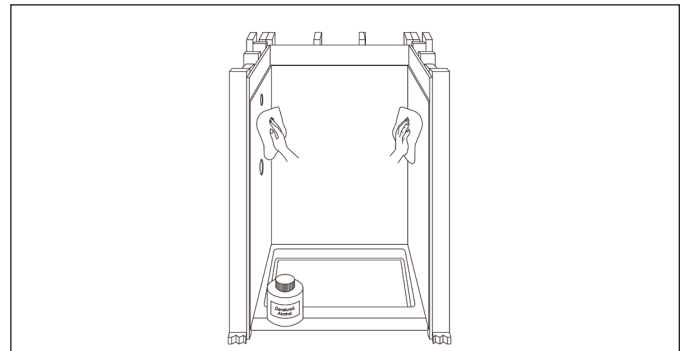


WARNING

Fumes Hazard

The fumes from the silicone and solvents used by the installer can be harmful if used in an unventilated room. Always work in a well-ventilated area. To keep the area well-ventilated, open windows and use exhaust fans. If adequate ventilation is not achievable or practical, use respiratory protective equipment.

3. Clean the surface of the panels and the back of the molding with denatured alcohol or another non-oil based solvent.

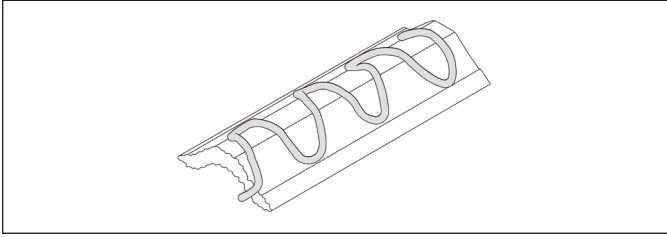


IMPORTANT NOTICE

Do not use oil-based cleaners, such as mineral spirits, to clean the panels. The oil in the cleaner will prevent the panel from adhering properly to the wall.

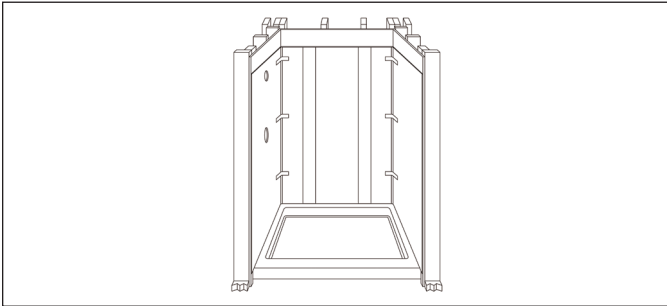
Installation Procedure

4. Apply an 1/8 to 1/4" bead of silicone to the back of the corner molding in an S pattern, as shown.



5. Press the corner moldings into place. Remove any excess silicone.

6. Place at least three pieces of masking tape on each corner molding to hold it in place until the silicone adheres to the wall panel.



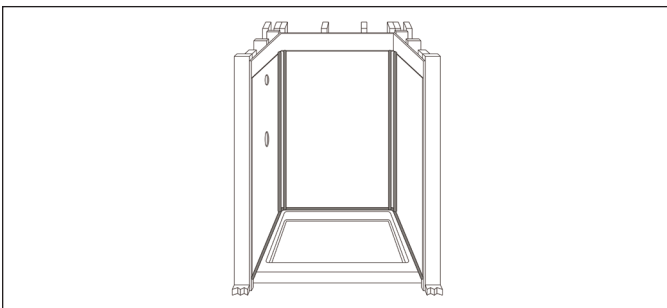
Final Caulking

Apply a bead of 100% silicone sealant.

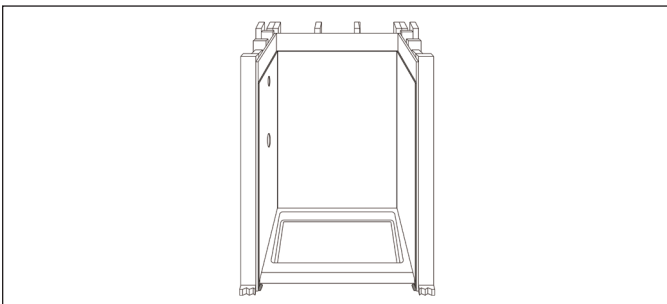
IMPORTANT NOTICE

Follow the manufacturer's instructions on the tube for proper application. Allow at least 24 hours for silicone to set before using the shower enclosure.

1. Apply 100% silicone sealant to all inside seams, as shown.



2. Apply 100% silicone sealant to the exterior edges, as shown. This silicone sealant is non-paintable.



The installation is now complete. **DO NOT** discard these installation instructions. Please leave with the homeowner.

Attaching Shower Doors and Accessories

1. Follow the mounting instructions that come with shower door and each accessory.
2. Drill pilot holes slightly larger than the fasteners, where fasteners pass through the wall panels.
3. If anchors are being used, drill the hole in the panel large enough for the head of the anchor to fit through the panel and the structural wall behind it.
4. Use 100% clear silicone to seal any holes or joints between the accessory and the wall panel.

Care and Cleaning

Transolid Expressions solid surface products are stain and abrasion resistant; however, the finish requires reasonable care.

IMPORTANT NOTICE

Because cleaning products change over time, always check the manufacturer's instructions to make sure it is compatible with solid surface acrylic. **DO NOT** use a cleaner if the label indicates it should not be used on solid surface acrylics. **DO NOT** use spray-on cleaners that require daily use without immediately rinsing with water to stop the chemical cleaning reaction because damage will result and void the warranty.

Day-To-Day Clean-up

Simply wipe the surface with a clean towel to remove water-marks and residues. All Transolid® Expressions products can be cleaned with warm water, a soft cloth, and normal household detergents or cleansers, such as Clorox Clean-up, Mr. Clean, Dow Scrubbing Bubbles, Formula 409. Always rinse off cleaners within five minutes of application.

Occasional scrubbing with household abrasive cleaners ensures that the original luster is maintained.

Caulking Joints

Inspect caulking joints monthly for damage or any signs of separation from the mating surface. Cracks in the caulking will allow water to leak into the surrounding surfaces. **Reapply caulking to any joint showing signs of wear or cracking.** Failure to inspect and repair caulking joints will void the warranty.



WARRANTY

Solid Surface Shower and Tub Walls, Shower Bases - 10 Years Ltd. Residential / 3 Years Ltd. Commercial

TRANSOLID, Div. expressly warrants its products as listed above to be free of defects in material and workmanship, subject to the limitations set forth in this Limited Warranty. Each product will function for the purpose for which it was designed for the time period designated above from the date of purchase to the original buyer, provided it has been installed in accordance with the installation instructions provided by TRANSOLID, Div., used as recommended, and not damaged due to excessive heat or abuse.

This warranty does not cover replacements and/or corrections caused by misuse, improper maintenance or normal wear and tear, acts of nature, scratches, chips or damage caused by failure of any adhesive, caulk or other accessory, or failure of any caulked or filled joint or seam. This Limited Warranty covers the product for normal interior use in the United States, Mexico and Canada and does not cover the product moved from its original place of installation. Labor charges incurred during any installations are not included under this Limited Warranty.

TRANSOLID, Div. will, at its option, repair, replace, or refund the purchase price of the product to the original purchaser if a TRANSOLID, Div. product fails due to a TRANSOLID, Div. manufacturing defect, which is discovered during the warranted years as listed above after the initial purchase. Replacements and/or corrections are at the sole discretion of the Transolid, Div. and will be limited in scope to reasonable and equitable remedy.

This Limited Warranty applies to TRANSOLID, Div. products that are purchased after January 1, 2011 and maintained as described by TRANSOLID's care and maintenance guide. (If needed, the care and maintenance guide can be found on the TRANSOLID website at www.transolid.com.) You may obtain coverage by providing proof of the date of initial purchase. For service under this Limited Warranty, you must notify TRANSOLID, Div. in writing, providing your name and address, a description of the product involved, the nature of the defect or failure, and proof of purchase and date of purchase. Repair or replacement shall not include any labor charges. This limited warranty is non-transferable.

The address to which warranty problems should be reported is:

Transolid, Div.
P.O. Box 30
Warren, OH 44482-0030

Transolid will ship (freight collect) to you products repaired or replaced under this Warranty.

Residential Limited Warranty

The warranty applies only to the original purchaser and installation of Transolid® products in residential applications. It does not apply to commercial applications.

Commercial Limited Warranty

The warranty applies only to the original purchaser and installation of Transolid® products in commercial applications.

THIS LIMITED WARRANTY IS IN LIEU OF ALL OTHER WARRANTIES, AND TRANSOLID, Div. EXPRESSLY DISCLAIMS ALL OTHER WARRANTIES, EXPRESS OR IMPLIED, INCLUDING WITHOUT LIMITATION ANY IMPLIED WARRANTY OF MERCHANTABILITY OR FITNESS FOR A PARTICULAR PURPOSE. THIS LIMITED WARRANTY SETS FORTH THE PURCHASER'S SOLE REMEDY IN CONNECTION WITH THE SALE OR USE OF PRODUCTS COVERED BY THIS LIMITED WARRANTY AND IN NO EVENT SHALL TRANSOLID, Div. BE OTHERWISE LIABLE FOR ANY LOSS, DAMAGE OR INJURY OF ANY NATURE ARISING OUT OF THE SALE OR USE OF THE PRODUCTS DELIVERED HEREUNDER, WHETHER FOR NEGLIGENCE, BREACH OF CONTRACT OR UNDER ANY OTHER LEGAL OR EQUITABLE THEORY. TRANSOLID, Div. SHALL NOT BE LIABLE FOR ANY INDIRECT, SPECIAL OR CONSEQUENTIAL DAMAGES ARISING OUT OF THE SALE OR USE OF SUCH PRODUCTS, INCLUDING BUT NOT LIMITED TO LOST PROFITS, REVENUES, ANTICIPATED SALES, BUSINESS OPPORTUNITIES OR FOR INTERRUPTION OF BUSINESS*. THIS WARRANTY IS NON-TRANSFERABLE.

*Some states do not allow the exclusion or limitation of incidental or consequential damages, so the above limitation or exclusion may not apply to you. This warranty gives you specific legal rights, and you may also have other rights which may vary from state to state.

Note: Transolid warranty does not include items identified as 'wear items' that can be purchased through Transolid. If you require replacement of a 'wear item', please contact Transolid.

Transolid, Div.
P.O. Box 30
Warren, OH 44482-0030

(800) 766-2452
Fax (330) 399-4426

www.transolid.com
E-mail: sales@transolid.com