

### FEATURES

- Shower Walls available in 4 fashionable easy care patterns.
- 3.5 mm thick compression molded solid surface material for lightweight, yet superior strength, beauty and easy cleaning.
- Easier to install than tile. Walls glue right over existing surface. Ideal for remodel or new construction. Walls are trimmable for custom fit.
- PWK Standard wall kit includes three wall panels, brushed aluminum inside corner trim, and finished end trim pieces.
- PWKX Transition wall kit includes three wall panels 72" or 84"H, three extension panels 24" or 12"H, brushed aluminum inside corner trim and horizontal seam trim, and finished end trim pieces.
- Prodigy® solid surface material has color all the way through for a renewable, scratch resistant and repairable surface.
- 10 Year Limited Residential Warranty / 3 Year Commercial Warranty

### PATTERNS & COLORS

- 3"x 8" Subway Tile in White
- 12"x 24" Vertical Tile in White and Dark Grey
- Herringbone Tile in White and Dark Grey
- Hexagon Tile in Gloss White

### OPTIONS

- Storage pods & caddies, grab bars, storage shelves, shower seats & benches are available to coordinate with the walls.



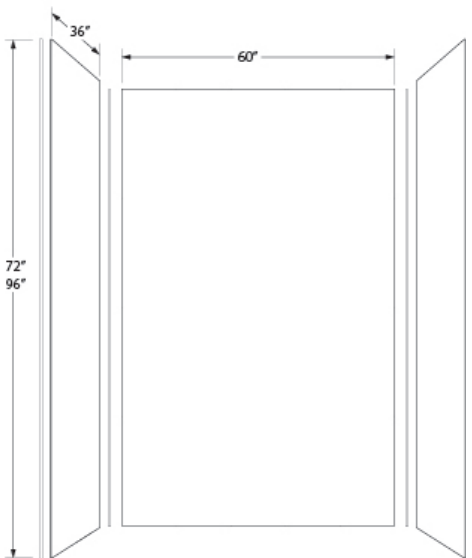
Prodigy®

### Specified Model:

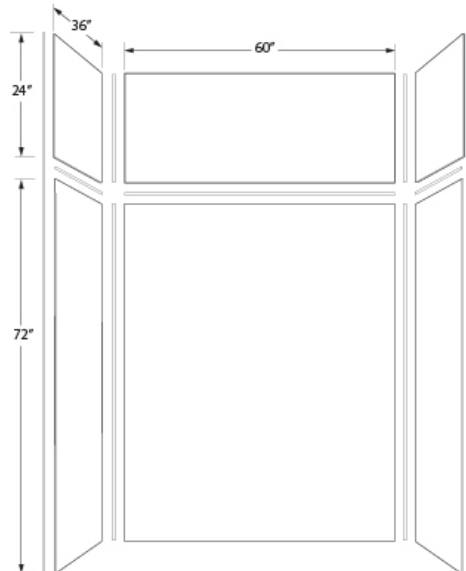
	SIZE	MODEL NO.	Width	Depth	Height	Weight(lbs)
<b>SHOWER WALL KITS 72"</b>						
<input type="checkbox"/>	60" x 36" x 72"	PWK603672	60"	36"	72"	106
<b>SHOWER WALL KITS 96"</b>						
<input type="checkbox"/>	60" x 36" x 96"	PWK603696	60"	36"	96"	126

### Transition Wall Kits Specified Model:

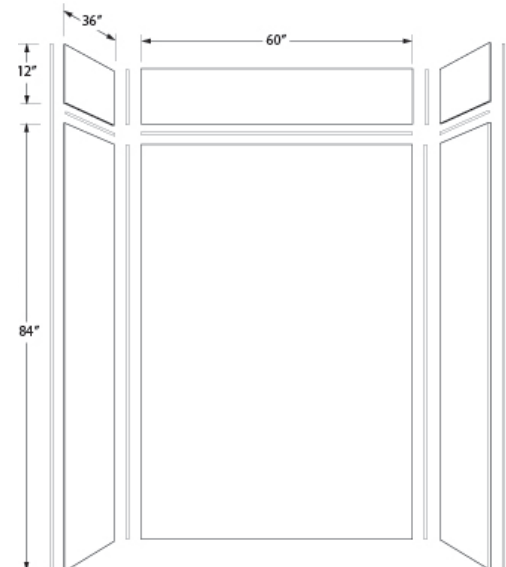
	SIZE	MODEL NO.	Width	Depth	Height	Weight(lbs)
<b>TRANSITION SHOWER WALL KIT 72"/24"</b>						
<input type="checkbox"/>	60"x36"x72"/24"	PWKX60367224	60"	36"	72"	126
<b>TRANSITION SHOWER WALL KIT 84"/12"</b>						
<input type="checkbox"/>	60"x36"x84"/12"	PWKX60368412	60"	36"	84"	126



PWK603672  
PWK603696



Transition Wall Kit  
PWKX60367224



Transition Wall Kit  
PWKX60368412

### Single Panel Specified Model:

	SIZE	MODEL NO.	DESCRIPTION	Width	Height	Weight(lbs)
<b>SHOWER WALL SINGLE PANEL 96"</b>						
<input type="checkbox"/>	36" x 96"	PW3696	Shower Wall	36"	96"	35
<input type="checkbox"/>	60" x 96"	PW6096	Shower Wall	60"	96"	59
<b>SHOWER WALL PANEL 96" (10 PACK)</b>						
<input type="checkbox"/>	36" x 96"	PW369610	Shower Wall	36"	96"	350
<input type="checkbox"/>	60" x 96"	PW609610	Shower Wall	60"	96"	590

### OPTIONAL STORAGE PODS *shown below*

Available for on-site installation.  
Must be ordered separately.

### SMC Vertical Storage Caddies designed to run between stud walls.

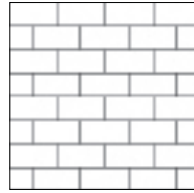


One-piece storage solution made from sturdy sheet molding compound.  
EWSV1627, EWSV1639, and EWSV1496 Wall Storage Caddies available in White-31, Cameo-32, and Grey-39

*EWSV1627-31 pictured*



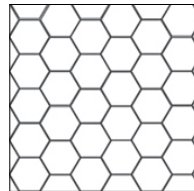
### To Be Specified: Pattern and Color



Glossy 3"x8" Subway Tile Pattern



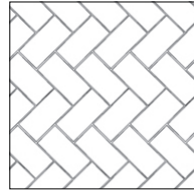
White 131



Glossy Hexagon Tile Pattern



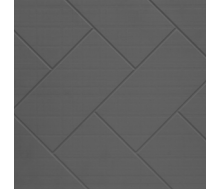
White 331



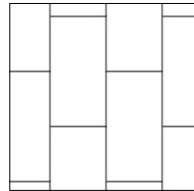
Textured Herringbone Tile Pattern



White 431



Dark Grey 440



12"x24" Textured Vertical Tile Pattern



White 231



Dark Grey 240

### STV Vertical Storage Pods - frames made from stainless steel.

*STV4614-SS pictured*



58.5" x 14"



STV5814

46.5" x 14"



STV4614

34.5" x 14"



STV3414

### STH Horizontal Storage Pods - frames made from stainless steel.

*STH5814-SS pictured*



STH5814 58.5" x 14"



STH4614 46.5" x 14"



STH3414 34.5" x 14"



STH3414 14" x 14"



## Features

- Heavy Duty SMC Sheet Molding Compound Material.
- Light weight. Natural stone effect.
- Bases can be custom sized within a range. See chart below.
- 63" length bases meet ADA requirements.
- Modern stainless steel drain cover conceals a conventional 2" shower drain (not supplied). Color-matched cover for FZS6040C.
- Bases can be used as a Single, Double or Triple Threshold.
- Ultra low 1" threshold front curb for easy access. After underlayment and finished floor are installed, you have a virtually flush entrance to the shower.
- Slip-resistant, lightly textured slate floor provides a safe environment yet maintains an easy to clean surface.



Modern, low-profile design with a slate look and slip-resistant texture surface.

## Warranty

5 Year Limited Residential/ 3 Year Commercial

## Stock Sized Specified Models

	Model No.	Length A	Width B	Height	Ctr C	Ctr D
<input type="checkbox"/>	FZS4836C*	47.2"	35.5"	1.0"	23.6"	17.75"
<input type="checkbox"/>	FZS5140C*	51.2"	39.4"	1.0"	25.6"	19.70"
<input type="checkbox"/>	FZS6032C*	59.1"	31.5"	1.0"	30"	15.75"
<input type="checkbox"/>	FZS6036C*	59.1"	35.5"	1.0"	30"	17.75"
<input type="checkbox"/>	FZS6040C*	59.1"	39.4"	1.0"	30"	19.70"
<input type="checkbox"/>	FZS6042C*	59.1"	41.5"	1.0"	29.5"	20.75"
<input type="checkbox"/>	FZS6048C*	59.1"	47.5"	1.0"	29.5"	23.75"
<input type="checkbox"/>	FZS6332C*	63"	31.5"	1.0"	31.5"	15.75"
<input type="checkbox"/>	FZS6336C*	63"	35.5"	1.0"	31.5"	17.75"
<input type="checkbox"/>	FZS6340C*	63"	39.4"	1.0"	31.5"	19.70"
<input type="checkbox"/>	FZS6642C*	64.9"	41.5"	1.0"	32.4"	20.75"
<input type="checkbox"/>	FZS6648C*	64.9"	47.5"	1.0"	32.4"	23.75"
<input type="checkbox"/>	FZS6736C*	67"	35.5"	1.0"	33.5"	17.75"
<input type="checkbox"/>	FZS7236C*	70.9"	35.5"	1.0"	36.0"	17.75"
<input type="checkbox"/>	FZS7242C*	70.9"	41.5"	1.0"	35.4"	20.75"
<input type="checkbox"/>	FZS7248C*	70.9"	47.5"	1.0"	35.4"	20.75"
<input type="checkbox"/>	FZS7940C*	78.7"	39.4"	1.0"	39.4"	19.70"

\* Meets ADA requirements.



Modern drain cover for 32C & 36C widths



Slate-look slip-resistant texture



Matching drain for 40C widths

## CUSTOMIZABLE BASE

**Note:** Bases can be built to accommodate unique sizes. Notches can also be cut from the bases to allow for columns in a corner.

Base can be built to custom sizes within certain limitations. Can be trimmed up to 4" in width from either side or up to 2" from depth. Base is designed to be used as a single, double or triple threshold in stock sizes and single or double threshold models in custom sizes

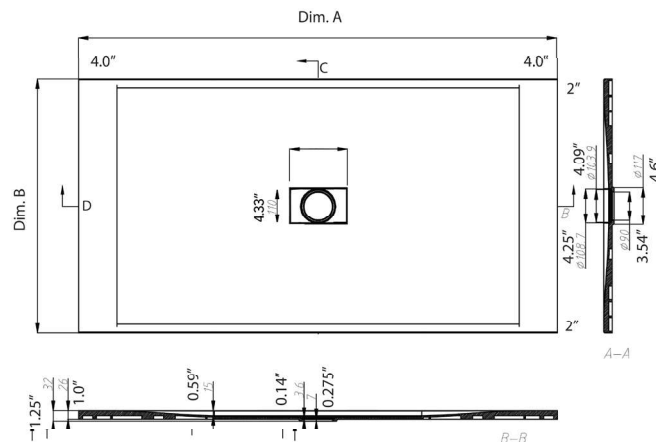


<input type="checkbox"/>	31 White		White 31		Cameo 32		Dark Grey 40		Black 09
<input type="checkbox"/>	32 Cameo								
<input type="checkbox"/>	40 Dk Grey								
<input type="checkbox"/>	09 Black								

## Compliance Certifications

Meets or Exceeds the Following Specification

- IGC 154-2012
- ASME A112.18.1 / CSA B125.125.1-11
- IAPMO
- cUPC®



## Features

- Heavy Duty SMC Sheet Molding Compound Material
- Light weight. Natural stone effect.
- 63" length bases meet ADA requirements
- Bases can be custom sized within a range. See chart below for range sizing.
- SMC color-matched drain cover conceals a conventional 2" shower drain (not supplied).
- Stock bases can be used as a Single, Double or Triple Threshold
- Ultra low 1" threshold front curb for easy access. After underlayment and finished floor virtually a flush entrance to the shower.
- Slip-resistant lightly textured slate floor for a safe environment yet maintains an easy to clean surface

## Warranty

- 10 Year Limited Residential/ 3 Year Commercial Warranty

## Stock Sized Specified Models

	Model No.	Length A	Width B	Height
<input type="checkbox"/>	FZS6032R/L	60"	31.5"	1.0"
<input type="checkbox"/>	FZS6036R/L	60"	35.5"	1.0"
<input type="checkbox"/>	FZS6040R/L	60"	39.4"	1.0"
<input type="checkbox"/>	FZS6332R/L*	63"	31.5"	1.0"
<input type="checkbox"/>	FZS6336R/L*	63"	35.5"	1.0"
<input type="checkbox"/>	FZS6340R/L*	63"	39.4"	1.0"
<input type="checkbox"/>	FZS6736R/L*	67"	35.5"	1.0"

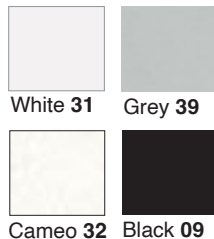
\* Meets ADA requirements.

## Custom Sized Models (Specify Lgth,Depth, RH or LH) can only be used as a Single or Double Threshold

	Model No.	Max Lgth A	Min Lgth B	Max Depth A	Min Depth B
<input type="checkbox"/>	CFZS6032R/L	60"	56"	31.5"	29.5"
<input type="checkbox"/>	CFZS6036R/L	60"	56"	35.5"	33.5"
<input type="checkbox"/>	CFZS6040R/L	60"	56"	39.4"	37.4"
<input type="checkbox"/>	CFZS6332R/L	63"	59"	31.5"	29.5"
<input type="checkbox"/>	CFZS6336R/L	63"	59"	35.5"	33.5"
<input type="checkbox"/>	CFZS6340R/L	63"	59"	39.4"	37.4"
<input type="checkbox"/>	CFZS6736R/L	67"	63"	35.5"	33.5"

## To Be Specified: Color

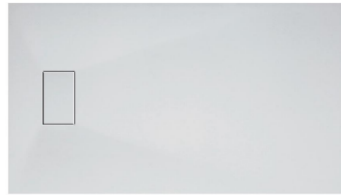
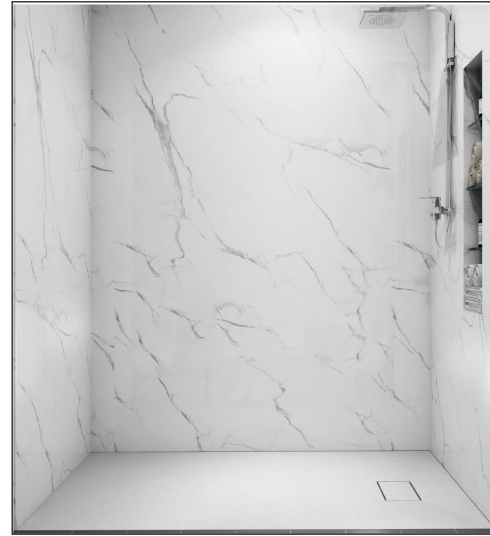
<input type="checkbox"/>	31 White
<input type="checkbox"/>	32 Cameo
<input type="checkbox"/>	39 Grey
<input type="checkbox"/>	09 Black



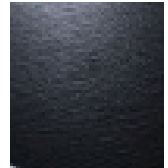
## Compliance Certifications

### Meets or Exceeds the Following Specification

- IGC 154-2012
- ASME A112.18.1 / CSA B125.125.1-11
- IAPMO
- cUPC®



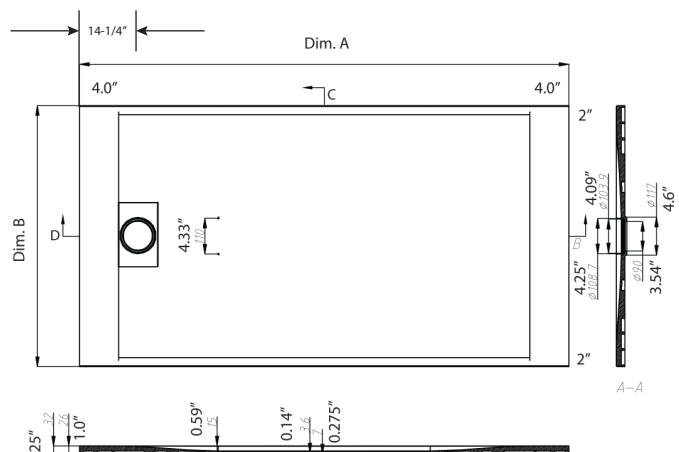
Modern Slip Resistance with a stone look texture. Easy to clean as well as slip resistant.



## CUSTOMIZABLE BASE

**Note:** Bases can be built to accommodate unique sizes. Notches can also be cut from the bases to allow for columns in a corner

Base can be built to custom sizes within certain limitations. Can be trimmed up to 4" in width from side opposite drain or up to 2" from depth. Base is designed to be used as a single, double or triple threshold in stock sizes and single threshold models in custom sizes



SHOWER BASES

### FEATURES:

- Transolid stainless steel grab bar shelves are a beautiful, easy-to-install addition to Transolid Titan, Prodigy, Expressions, and SaraMar solid surface walls, or any other solid surface or tile shower.
- Grab bar includes 14-gauge shelf and 8-gauge rail to ensure shower products and accessories do not fall from the shelf.
- Includes concealed mounting hardware and installation guide.
- Install directly on tile inside or outside of the shower, requires 2-in solid wood in wall backing.
- Compatible with many bathroom accessories offered by Transolid to complete your desired style.
- Durable stainless steel provides safe storage with a weight capacity up to 300lbs., long-lasting corrosion, rust, and chemical resistant.



### WARRANTY

- Lifetime Limited Residential / 5 Year Commercial

### INSTALLATION REQUIREMENT

- To assure proper and safe installation, use minimum 2" thick solid wood in-wall backing material. Backing must comply with building code requirements.

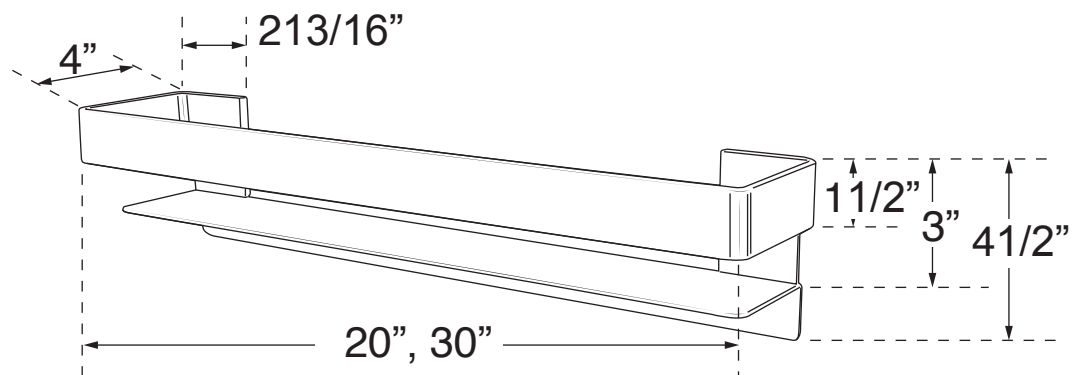
### To Be Specified:

	MODEL NO.	DESCRIPTION	Height	Width	Depth
<input type="checkbox"/>	JGBS20	20" Grab Bar shelf	3"	20"	4"
<input type="checkbox"/>	JGBS30	30" Grab Bar shelf	3"	30"	4"

**TO ORDER** add the finish code to end of model number

### To Be Specified: Finish

	Code	Finish
<input type="checkbox"/>	PC	Polished Chrome
<input type="checkbox"/>	BS	Brushed Stainless
<input type="checkbox"/>	MB	Matte Black
<input type="checkbox"/>	CB	Champagne Bronze





## Features

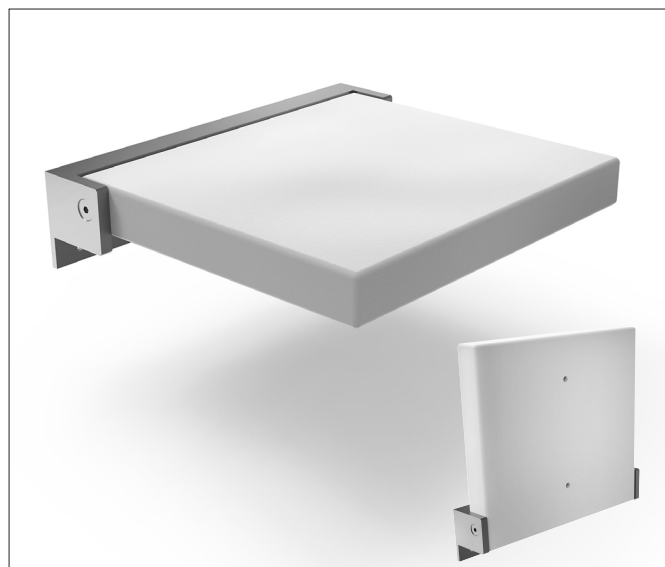
- Foldable Seat
- Stainless steel mounting bracket for durability
- Holds up to 300 lbs. capacity
- Anti-microbial seat for sanitation

## Warranty

- Lifetime Limited Warranty for residential use
- 5 Year Limited Warranty for commercial use

## Colors & Finishes

- 2 seat colors available: White (01) & Black (09)
- 4 bracket finishes available (See below)



## Specified Model

<b>Model</b>	<b>PPS1414UP-</b>
Size	13.6" x 14" x 1.8"
Shipping Weight	14 lbs.

<b>Model</b>	<b>PPS1420UP-</b>
Size	13.6" x 20" x 1.8"
Shipping Weight	20 lbs.

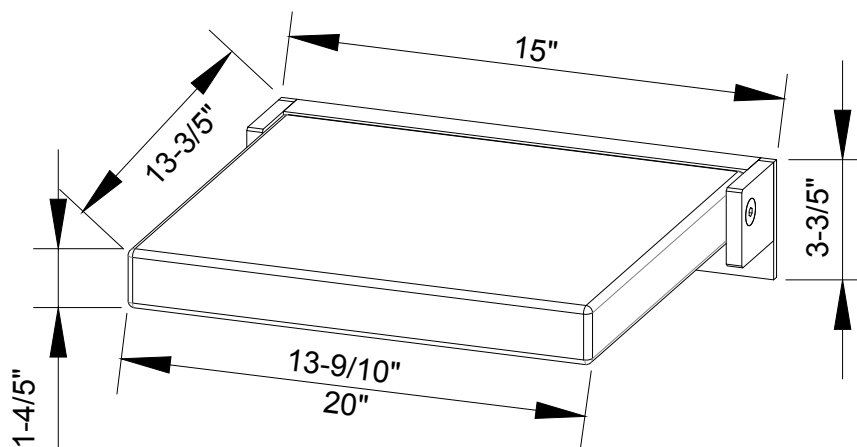
## To Be Specified:

Bracket Finishes	
<input type="checkbox"/>	<b>PC</b> Polished Chrome
<input type="checkbox"/>	<b>BS</b> Brushed Steel
<input type="checkbox"/>	<b>MB</b> Matte Black
<input type="checkbox"/>	<b>CB</b> Champagne Bronze



SMPPS1414UP- only available in Polished Chrome

SMPPS1420UP- available in all four finishes



### FEATURES

- Storage Pods for on-site installation are a beautiful and easy to install addition to Transolid Studio, Expressions and Saramar® solid surface walls. Add solid surface material to the inside backwall of storage pods to either match or coordinate with wall colors.
- Horizontal storage pods are available in all brushed stainless steel or with solid surface material on backwall. Pods have a 1/2" brushed stainless steel frame surrounding the pod for a clean finished look.
- Available in all Studio, Expressions and Saramar® solid surface colors.
- 10 Year Limited Residential Warranty / 3 Year Commercial Warranty

### To Be Specified:

	MODEL NO.	DESCRIPTION	Width	Height	Depth
<b>HORIZONTAL STORAGE PODS for SARAMR SERIES</b>					
<input type="checkbox"/>	STH5814	Horizontal Pod for min. 60" width	58½"	14"	3¾"
<input type="checkbox"/>	STH4614	Horizontal Pod for min. 48" width	46½"	14"	3¾"
<input type="checkbox"/>	STH3414	Horizontal Pod for min. 36" width	34½"	14"	3¾"
<input type="checkbox"/>	STH1414	14" square Horizontal Pod	14"	14"	3¾"

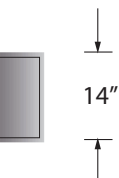
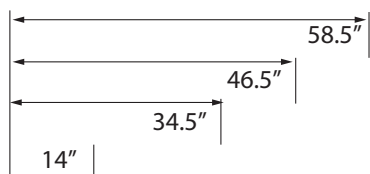


STH5814-SS48

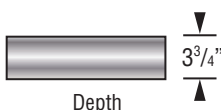


STH1414-SS

ACCESSORIES



STH4614-SS



See Installation details on back

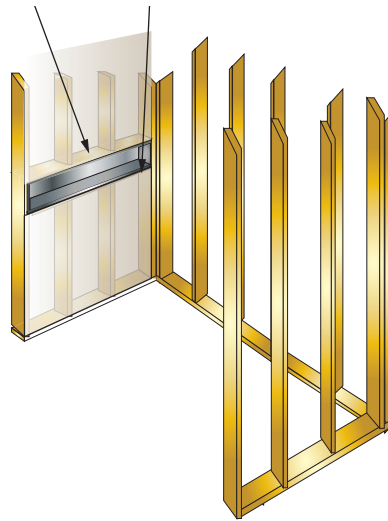
# Accessories

## STH Horizontal Storage Pods

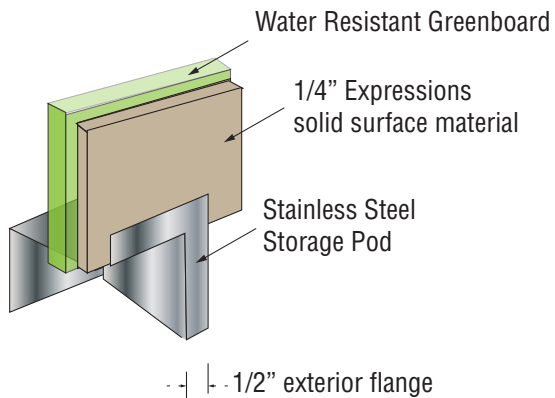
### Horizontal Storage Pod

Model No	Cut Out Dimensions	
	Width	Height
STH5814	57-1/2"	13"
STH4614	45-1/2"	13"
STH3414	33-1/2"	13"
STH1414	13"	13"

Install with a Header Top & Bottom



Horizontal Storage Pod detail







## FEATURES

- Decorative ADA compliant 1" diameter grab bars enhance the look of the shower while providing peace of mind and independent living.
- Concealed mounting.
- Includes two flange covers.
- Heavy duty 304 stainless steel.
- Mounting hardware and mounting template included.

## FINISH

- 3 finishes: polished chrome, brushed stainless, powder coat black

## WARRANTY

- Lifetime Limited Residential / 5 Year Commercial

## INSTALLATION REQUIREMENT

- Wood blocking is preferable behind all wall surfaces. Use framing studs for mounting when available. If wood blocking is not available, the following fasteners are suggested: Tile/Masonry-Plastic or lead Anchors Plaster/drywall-Toggle bolts.



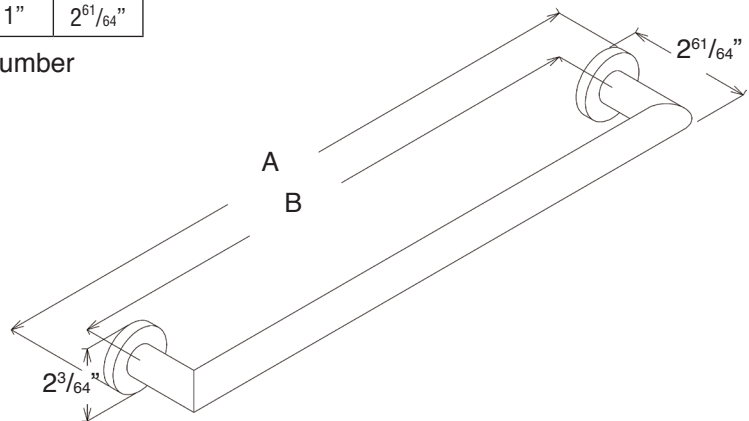
### To Be Specified:

	MODEL NO.	DESCRIPTION	Length		Dia.	Depth
			A	B		
<input type="checkbox"/>	TS12-	12" Grab Bar	13 <sup>55</sup> / <sub>64</sub> "	11 <sup>13</sup> / <sub>16</sub> "	1"	2 <sup>61</sup> / <sub>64</sub> "
<input type="checkbox"/>	TS16-	16" Grab Bar	17 <sup>51</sup> / <sub>64</sub> "	15 <sup>3</sup> / <sub>4</sub> "	1"	2 <sup>61</sup> / <sub>64</sub> "
<input type="checkbox"/>	TS18-	18" Grab Bar	19 <sup>49</sup> / <sub>64</sub> "	17 <sup>23</sup> / <sub>32</sub> "	1"	2 <sup>61</sup> / <sub>64</sub> "
<input type="checkbox"/>	TS24-	24" Grab Bar	25 <sup>43</sup> / <sub>64</sub> "	23 <sup>5</sup> / <sub>8</sub> "	1"	2 <sup>61</sup> / <sub>64</sub> "
<input type="checkbox"/>	TS32-	32" Grab Bar	33 <sup>35</sup> / <sub>64</sub> "	31 <sup>1</sup> / <sub>2</sub> "	1"	2 <sup>61</sup> / <sub>64</sub> "

**TO ORDER** add the finish code to end of model number

### To Be Specified: Finish

	Code	Finish
<input type="checkbox"/>	PC	Polished Chrome
<input type="checkbox"/>	BS	Brushed Stainless
<input type="checkbox"/>	BK	Black



## Compliance Certifications -

### Meets or Exceeds the Following Specifications



Meets the Americans with Disabilities Act guidelines and ANSI A117.1 requirements for accessible and usable building facilities-check local codes when installed per accessibility guidelines of the act.

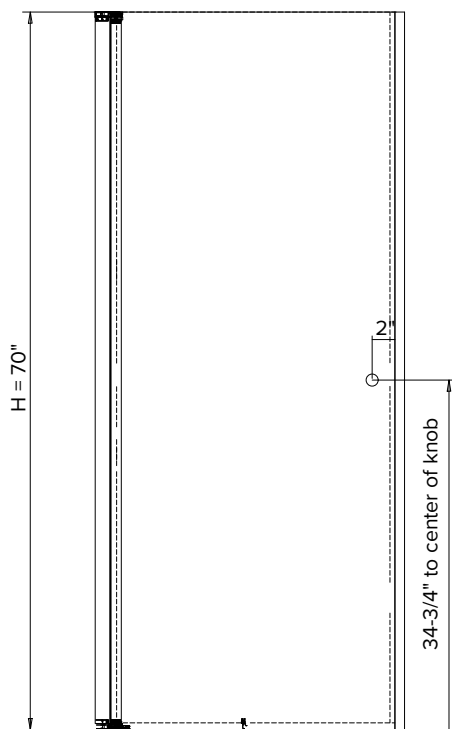
## FEATURES

- A modern, frameless pivot shower door, with a slim profile swing frame.
- Walk-in Opening from 19-3/4" - 31-3/4" wide.
- Attractive frame made from aluminum alloy features aluminum magnetic profile and magnetic seal
- Up to 1-inch adjustment for out-of-plumb (uneven) walls within wall profiles.
- Clear tempered glass is ANSI Z97.1 certified. Glass thickness: 1/4" (6mm).
- Hardware finishes: Polished Chrome, Brushed Stainless, and Matte Black.
- Shower base threshold minimum requirement is 2-3/8" wide.
- **IMPORTANT!** All measurements should be taken only **AFTER** walls are finished (tile, backwalls, etc.); Professional installation recommended.
- The door comes with double side knobs.
- Limited Lifetime Warranty for residential use and 1 year when used commercially.



## Specify Model

	Size	Model	Min. Width	Max. Width	Height	Weight	Walk-Through Width
<input type="checkbox"/>	24" x 70"	LSD247006C-	23.5"	24.5"	70"	42 lbs.	19.75"
<input type="checkbox"/>	25" x 70"	LSD257006C-	24.5"	25.5"	70"	44 lbs.	20.75"
<input type="checkbox"/>	26" x 70"	LSD267006C-	25.5"	26.5"	70"	46 lbs.	21.75"
<input type="checkbox"/>	27" x 70"	LSD277006C-	26.5"	27.5"	70"	48 lbs.	22.75"
<input type="checkbox"/>	28" x 70"	LSD287006C-	27.5"	28.5"	70"	51 lbs.	23.75"
<input type="checkbox"/>	29" x 70"	LSD297006C-	28.5"	29.5"	70"	53 lbs.	24.75"
<input type="checkbox"/>	30" x 70"	LSD307006C-	29.5"	30.5"	70"	55 lbs.	25.75"
<input type="checkbox"/>	31" x 70"	LSD317006C-	30.5"	31.5"	70"	57 lbs.	26.75"
<input type="checkbox"/>	32" x 70"	LSD327006C-	31.5"	32.5"	70"	59 lbs.	27.75"
<input type="checkbox"/>	33" x 70"	LSD337006C-	32.5"	33.5"	70"	62 lbs.	28.75"
<input type="checkbox"/>	34" x 70"	LSD347006C-	33.5"	34.5"	70"	64 lbs.	29.75"
<input type="checkbox"/>	35" x 70"	LSD357006C-	34.5"	35.5"	70"	66 lbs.	30.75"
<input type="checkbox"/>	36" x 70"	LSD367006C-	35.5"	36.5"	70"	68 lbs.	31.75"



SHOWER DOORS

### To Be Specified: Hardware Color

<input type="checkbox"/>	PC Chrome
<input type="checkbox"/>	BS Brushed Stainless
<input type="checkbox"/>	MB Matte Black



### To Be Specified: Glass

<input type="checkbox"/>	C Clear
--------------------------	---------



Walk through width 28-3/4" - 31-3/4"

