

# **SMC (Sheet Molding Compound) Shower Wall Kits and Panels**

**PRODUCT WARNINGS**

**SAFETY GUIDELINES**

**KIT CONTENTS**

**REQUIRED TOOLS**

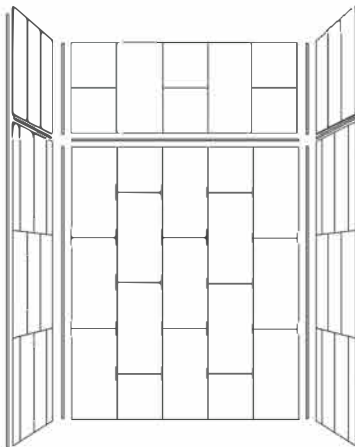
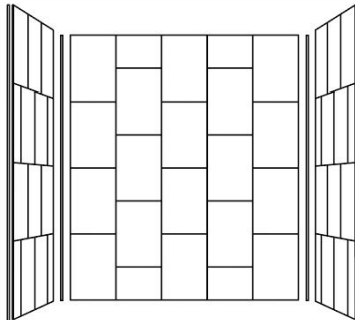
**PREPARATION TIPS**

**INSTALLATION PROCEDURE**

**CLEANING & MAINTENANCE**

**SURFACE REPAIR**

**WARRANTY INFORMATION**



**READ AND UNDERSTAND BEFORE INSTALLING**

# INSTALLATION MANUAL INDEX / INDEX DU MANUEL D'INSTALLATION

INTRODUCTION	INTRODUCTION
Before starting the installation ..... 02	Avant de commencer l'installation ..... 02
Required tools & materials ..... 02	Outils & matériaux requis ..... 02
Parts list ..... 03	Liste de pièces ..... 03
 INSTALLATION	 INSTALLATION
Inspect wall supports ..... 03	Inspecter les supports muraux ..... 03
Install water-resistant drywall ..... 04	Installer le gypse ..... 04
Measure needed dimensions ..... 04	Mesurer les dimensions requises ..... 04
Cut the panels & trim pieces ..... 05	Couper les panneaux & extrusions ..... 05
Prepare for assembly ..... 05	Préparer pour l'assemblage ..... 05
Assemble the trim pieces ..... 06	Assembler les joints ..... 06
Back panel installation ..... 06	Installer le panneau du fond ..... 06
Return panel installation ..... 07	Installer le panneau de retour ..... 07
Caulking ..... 07	Calfeutrage ..... 07
 WARRANTY ..... 08	 GARANTIES ..... 08

## BEFORE STARTING THE INSTALLATION / AVANT DE COMMENCER L'INSTALLATION

This manual covers the installation and maintenance of your new products. Read it through once before proceeding to the installation

Consult your local building code to ensure that the installation complies with the standards of your area.

Carefully inspect the products upon arrival to make sure that there's no damage or missing pieces. If you find a defect, contact your distributor. If damage has occurred during transport, contact your carrier.

Care must be taken to protect the surface during handling and installation. A protective film is installed on the product, remove it only when completely done with the installation of the shower or when told to in the instructions.

Before proceeding with any piping work, make sure to mandate a certified professional in building technique from your province or state.

If the panel is curved, lay it down on the floor and apply pressure over some time to make sure to remove the curvature and install it completely flat on the wall.

Ce manuel couvre l'installation et la maintenance de vos nouveaux produits. Lisez-le une fois avant de procéder à l'installation

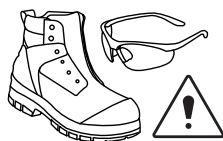
Consultez votre code du bâtiment local pour vous assurer que l'installation est conforme aux normes de votre région.

Inspectez soigneusement les produits à leur arrivée pour vous assurer qu'il n'y a pas de dommages ou de pièces manquantes. Si vous constatez un défaut, contactez votre distributeur. Si des dommages sont survenus pendant le transport, contactez votre transporteur.

Des précautions doivent être prises pour protéger la surface pendant la manipulation et l'installation. Un film protecteur est installé sur le produit, retirez-le uniquement lorsque l'installation de la douche est complètement terminée ou lorsque cela est indiqué dans les instructions.

Avant de procéder à des travaux de tuyauterie, assurez-vous de mandater un professionnel en technique de construction de votre province ou état.

## REQUIRED TOOLS & MATERIALS / OUTILS ET MATÉRIAUX REQUIS



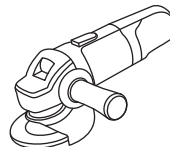
SAFETY EQUIPMENT  
ÉQUIPEMENT DE SÉCURITÉ



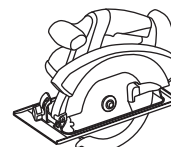
EXTRA CLEAR SILICONE  
SILICONE EXTRA CLAIR



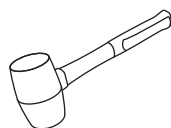
CONSTRUCTION ADHESIVE  
ADHÉSIF DE CONSTRUCTION



GRINDER  
MEULEUSE



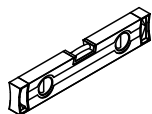
CHOICE OF SAW (see step 4)  
SCIE AU CHOIX (voir étape 4)



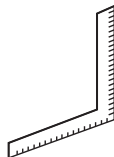
RUBBER Mallet  
MAILLET EN CAOUTCHOUC



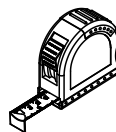
PENCIL  
CRAYON



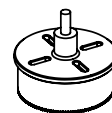
LEVEL  
NIVEAU



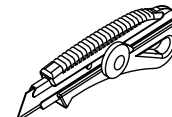
SQUARE  
ÉQUERRE



MEASURING TAPE  
RUBAN À MESURER

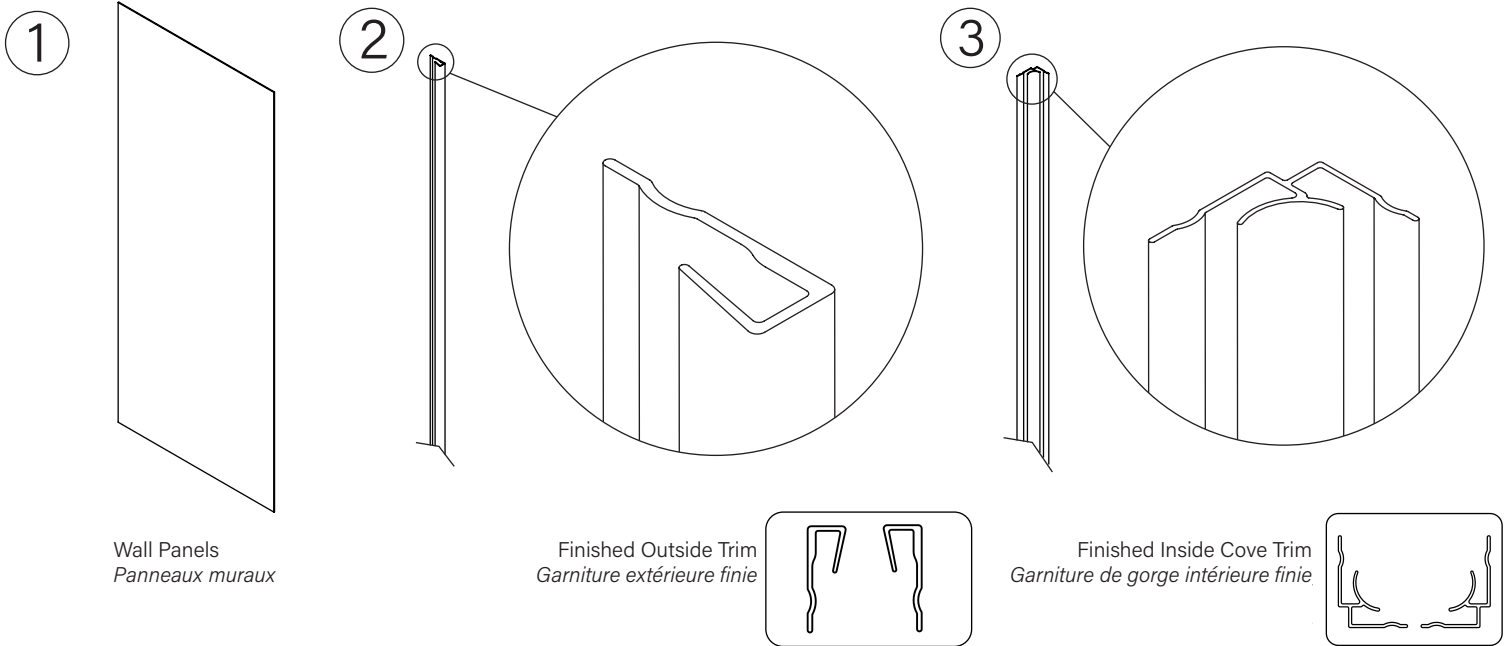


HOLESAW  
EMPORTE-PIÈCE



UTILITY KNIFE  
COUTEAU À LAME  
RÉTRACTABLE

# PART LIST / LISTE DE PIÈCES



Wall Panels  
Panneaux muraux

Finished Outside Trim  
Garniture extérieure finie

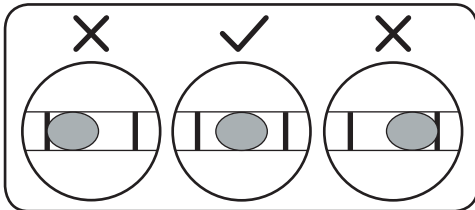
Finished Inside Cove Trim  
Garniture de gorge intérieure finie

DESCRIPTION	
1	WALL PANELS - (1) Back Wall Panel (2) Return Panels
2	TRIM PIECES - (2) Finished Outside Trim Pieces
3	TRIM PIECES - (2) Finished Inside Cove Trim Pieces

## 1 INSPECT WALL SUPPORTS / INSPECTER LES SUPPORTS MURAUX

Make sure that the wall support is level. Correct if needed.  
S'assurer que le support mural est de niveau. Corriger si nécessaire.

Check me!  
Coché moi!

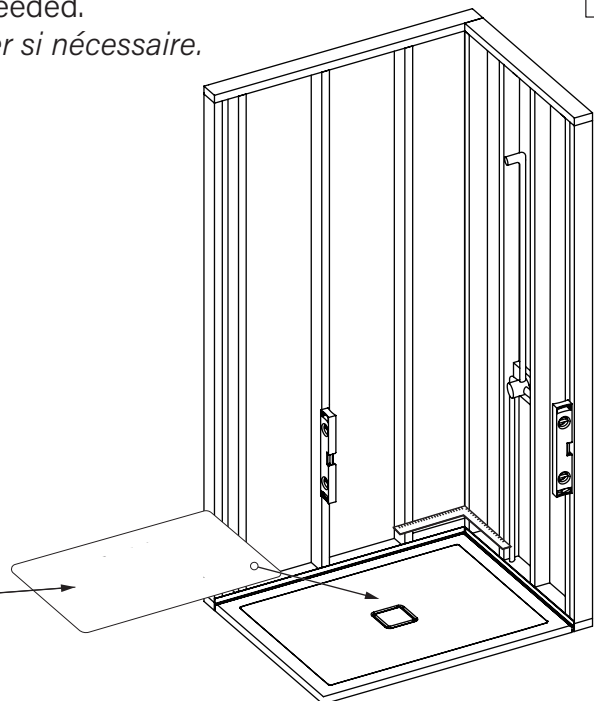


Base and shower system installation have to be done before proceeding to the wall installation.



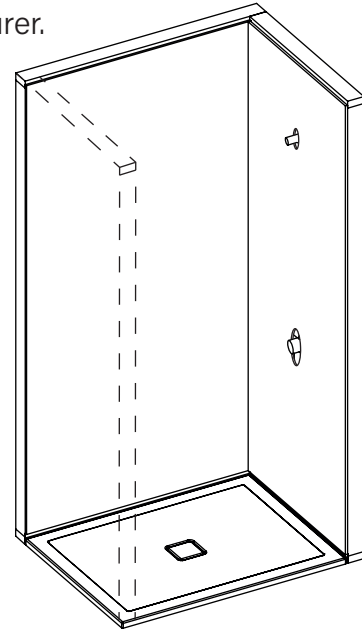
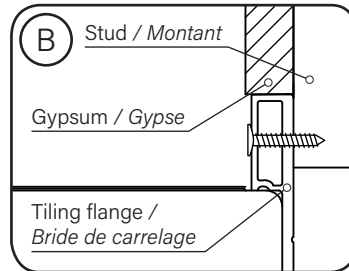
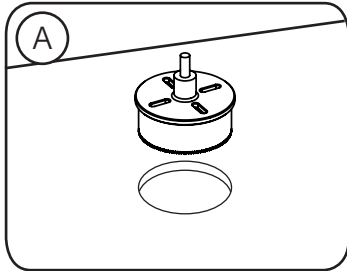
L'installation de la base et du système de douche doivent être faite avant de commencer l'installation des murs.

Protect the base with cardboard.  
Protégez la base avec du carto.



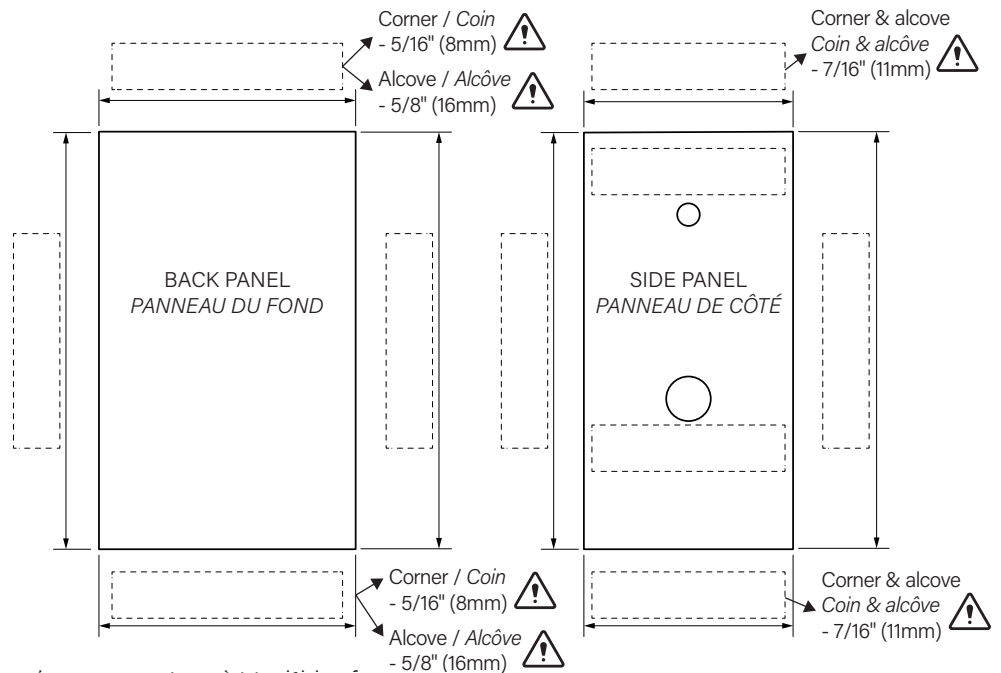
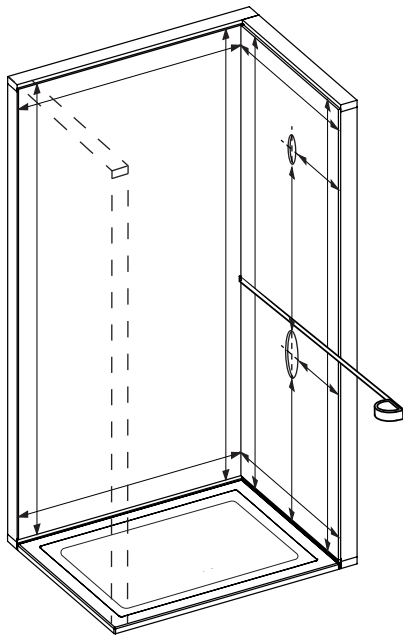
## 2 INSTALL WATER-RESISTANT DRYWALL/ INSTALLER UNE CLOISON SÈCHE RÉSISTANT À L'EAU

- (A) Drill the holes for the shower fittings according to the manufacturer.  
Perçer les trous pour la robinetterie selon le fabricant.
- (B) Install 5/8" water-resistant drywall.  
Installez une cloison sèche de 16 mm résistante à l'eau.



## 3 MEASURE NEEDED DIMENSIONS / MESURER LES DIMENSIONS REQUISES

Measure the dimensions needed to cut the panels.  
Mesurez les dimensions nécessaires pour couper les panneaux.



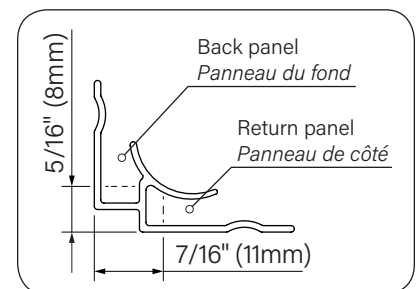
Before cutting any panels, subtract the corner trim width of 11mm on the return panel and 8mm on the back panel to fit flush.

Avant de couper, soustraire les largeurs des extrusions de coin de 11mm sur le panneau de retour et 8mm sur le panneau de fond pour arriver juste.




If the installation of niche is needed, consult the niche installation manual now before cutting.

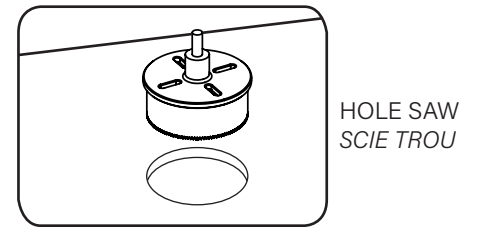
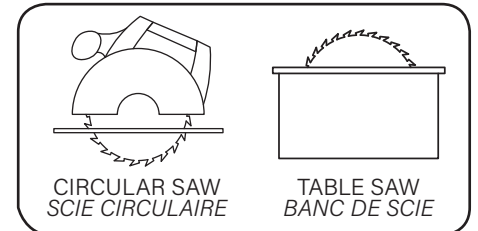
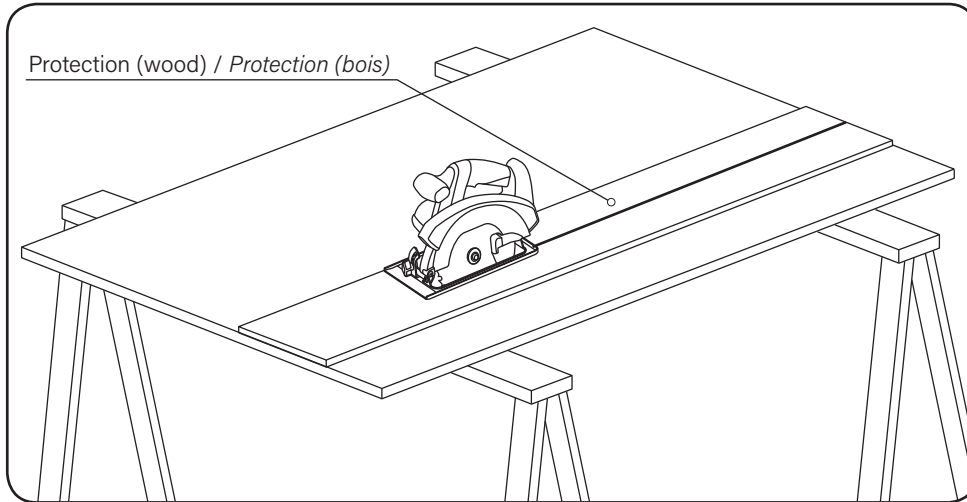
Si l'installation de niche est nécessaire, consulter le manuel d'installation de niche maintenant avant de couper.



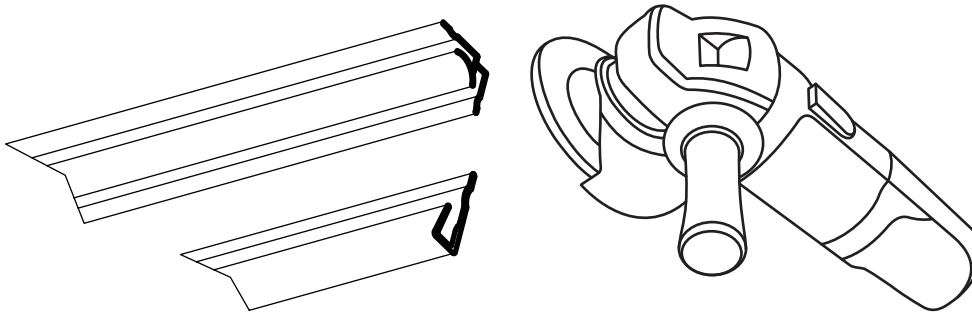
## 4 CUT THE PANELS & EXTRUSIONS / COUPER LES PANNEAUX & EXTRUSIONS

- A** Cut and drill the panels. Please put the finish surface on the right side.  
*Couper et trouser les panneaux de pierre. Mettre la surface finie du bon côté.*

 The saw teeth should touch the finish side first. It is recommended to protect the surfaces from it with a wooden plank.  
*Les dents de la lame de scie devraient toucher au côté fini en premier. Il est recommandé de protéger la surface avec une planche de bois.*



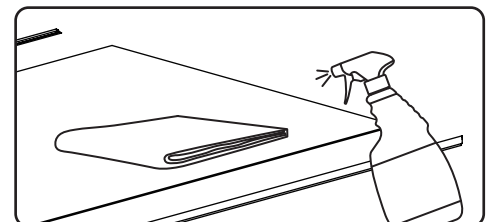
- B** Cut the inside cove and end trim pieces to fit the panels height.  
*Couper les moulures intérieures et d'extrémité pour s'adapter à la hauteur des panneaux.*



## 5 PREPARE ASSEMBLY / PRÉPARER L'ASSEMBLAGE

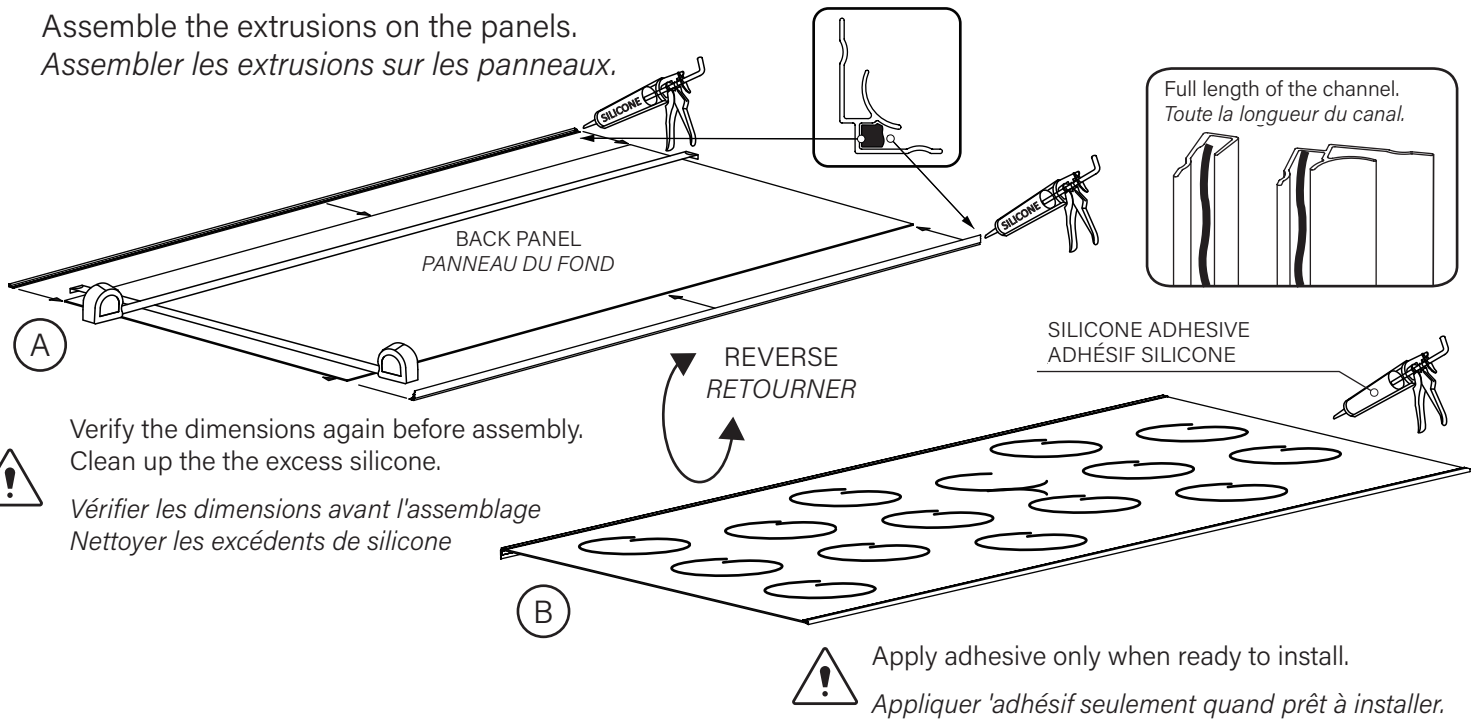
Clean the panels and trim pieces to make sure that the silicone and the adhesive application will work correctly.

*Nettoyez les panneaux et les garnitures pour vous assurer que silicone et l'application d'adhésif fonctionnera correctement.*



## 6 ASSEMBLE THE TRIM PIECES/ ASSEMBLER LES PIÈCES DE GARNITURE

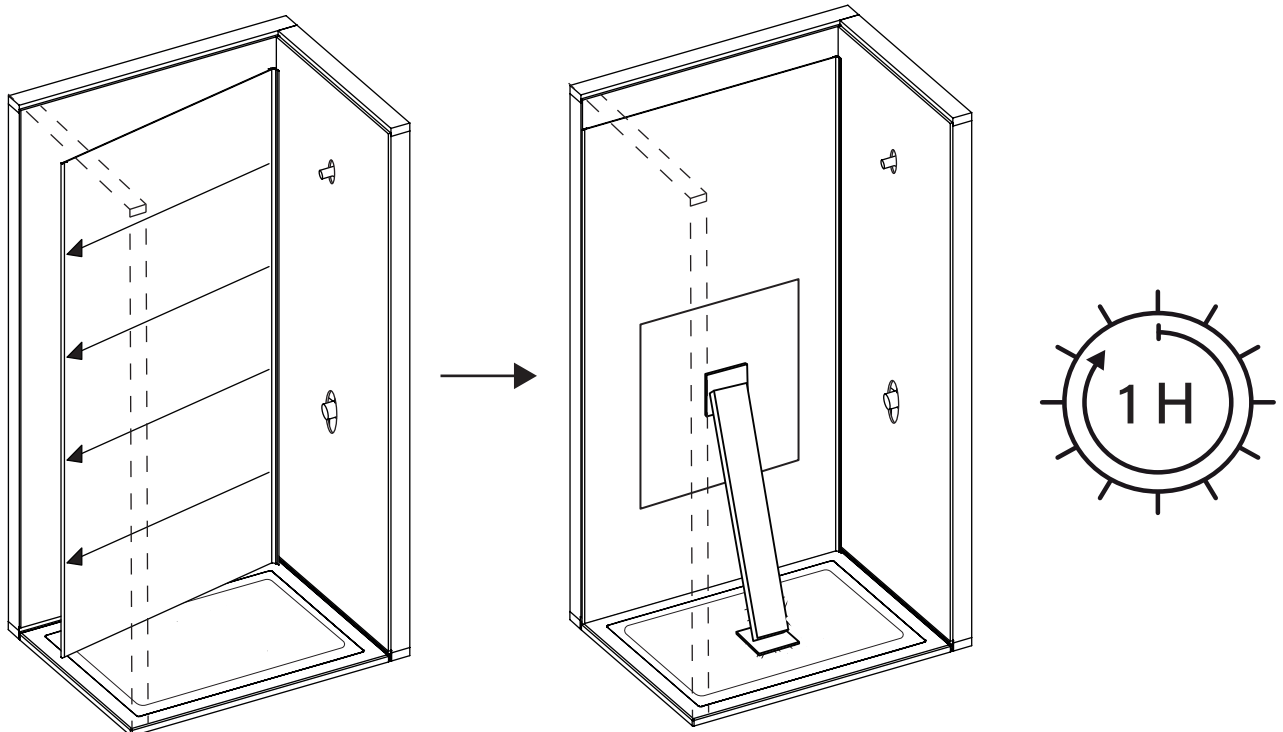
Assemble the extrusions on the panels.  
*Assembler les extrusions sur les panneaux.*



## 7 BACK PANEL INSTALLATION / INSTALLATION DU PANNEAU DU FOND

Place the panel in the corner of the shower, then push it on the wall from the corner to the outside of the shower. Clean the excesses of adhesive.

*Placer le panneau du fond dans le coin, puis appuyer vers le mur du coin jusqu'à l'extérieur de la douche. Nettoyer les excédents d'adhésif.*



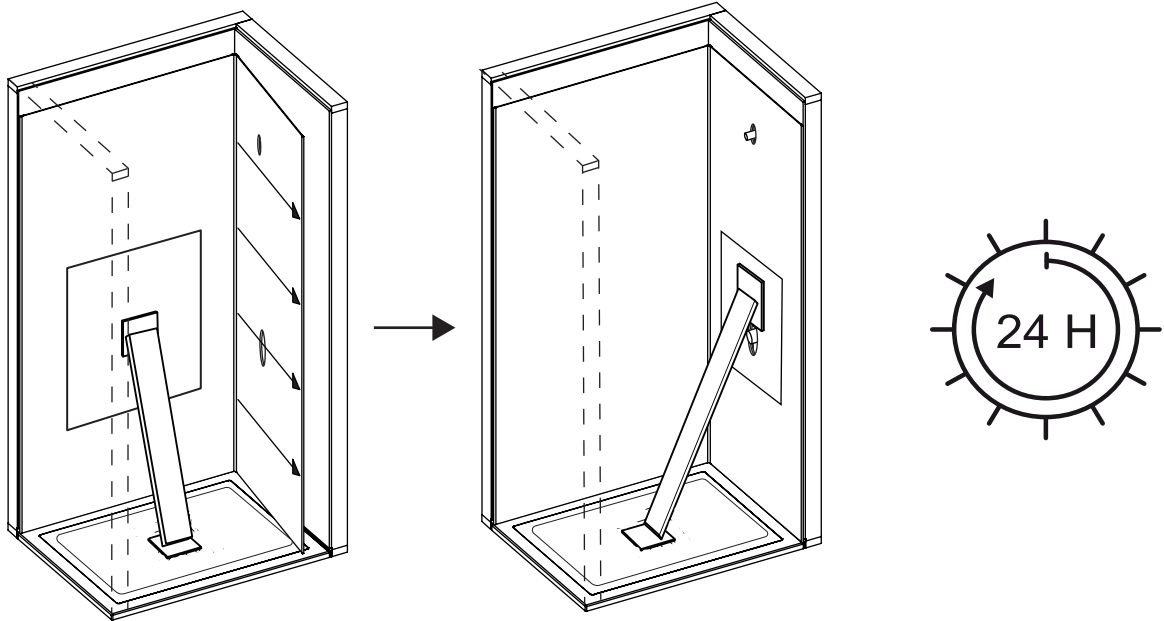
Create a support to apply pressure to wall panel to maintain pressure and allow silicone to cure.

*Créer un support pour appliquer une pression sur le panneau mural afin de maintenir la pression et permettre au silicone de durcir.*

## 8 RETURN PANEL INSTALLATION / INSTALLATION DU PANNEAU DE RETOUR

Apply silicone in channel of corner trim piece. Place return wall panel into the corner trim channel and push panel to wall from the corner to the outside of the shower and remove any excess adhesive.

*Appliquez du silicone dans le canal de la pièce de garniture d'angle. Placez le panneau mural de retour dans le canal de garniture d'angle et poussez le panneau contre le mur du coin vers l'extérieur de la douche et retirez tout excès d'adhésif.*



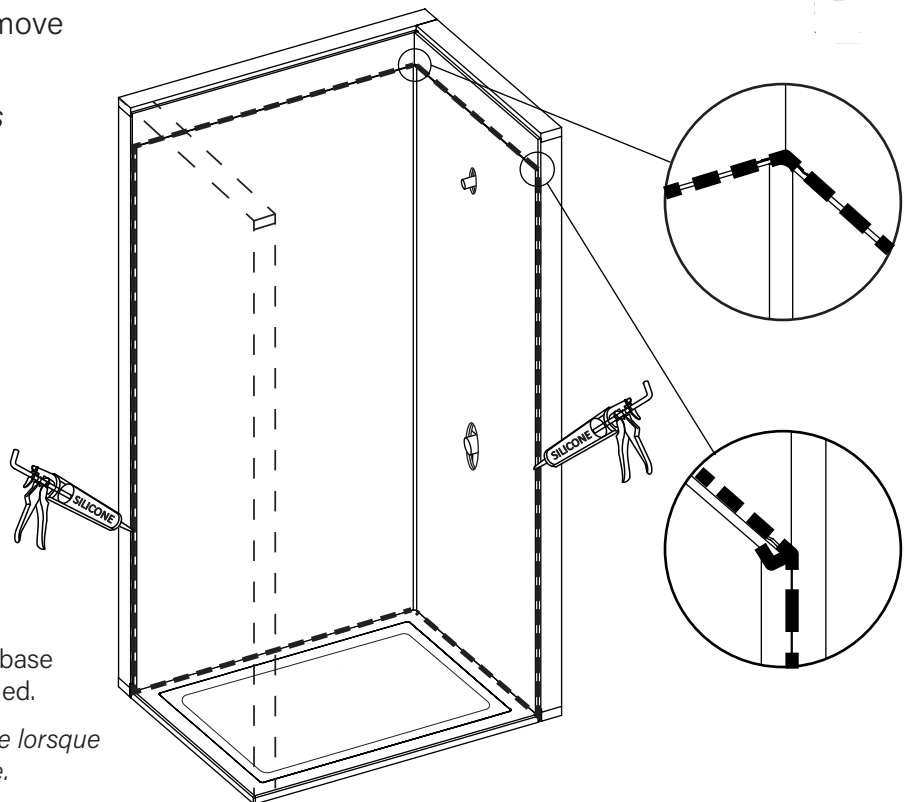
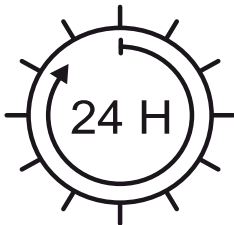
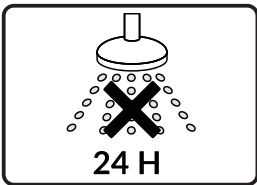
Repeat this step on the opposite wall for the alcove configuration, then wait the 24H cure time.  
*Répéter cette étape sur le mur opposé pour la configuration en alcôve, puis attendre le 24H de traitement.*

## 9

## CAULKING / CALFREUTAGE

Apply silicone to all seams and remove any excess.

*Appliquez du silicone sur toutes les coutures et enlevez tout excédent.*



Remove the cardboard from shower base when the shower is completely finished.  
*Retirez le carton de la base de douche lorsque la douche est complètement terminée.*

## **WARRANTY**

### **Sheet Molding Compound Shower and Tub Walls, Shower Bases - 5 Years Ltd. Residential / 3 Years Ltd. Commercial**

---

We expressly warrant that products as listed above to be free of defects in material and workmanship, subject to the limitations set forth in this Limited Warranty. Each product will function for the purpose for which it was designed for the time period designated above from the date of purchase to the original buyer, provided it has been installed in accordance with the installation instructions provided and used as recommended, and not damaged due to excessive heat or abuse.

This warranty does not cover replacements and/or corrections caused by misuse, improper maintenance or normal wear and tear, acts of nature, scratches, chips or damage caused by failure of any adhesive, caulk or other accessory, or failure of any caulked or filled joint or seam. This Limited Warranty covers the product for normal interior use in the United States, Mexico and Canada and does not cover the product moved from its original place of installation. Labor charges incurred during any installations are not included under this Limited Warranty.

We will, at our option, repair, replace, or refund the purchase price of the product to the original purchaser if a product fails due to a manufacturing defect, which is discovered during the warrantied years as listed above after the initial purchase. Replacements and/or corrections are at our sole discretion and will be limited in scope to reasonable and equitable remedy. This Limited Warranty applies to these products that are purchased after January 1, 2011 and maintained as described by care and maintenance guide. You may obtain coverage by providing proof of the date of initial purchase. For service under this Limited Warranty, you must notify us in writing, providing your name and address, a description of the product involved, the nature of the defect or failure, and proof of purchase and date of purchase. Repair or replacement shall not include any labor charges. This limited warranty is non-transferable.

The address to which warranty problems should be reported is:  
P.O. Box 30  
Warren, OH 44482-0030

We will ship (freight collect) to you products repaired or replaced under this Warranty.

#### **Residential Limited Warranty**

The warranty applies only to the original purchaser and installation of these products in residential applications. It does not apply to commercial applications.

#### **Commercial Limited Warranty**

The warranty applies only to the original purchaser and installation of these products in commercial applications.

THIS LIMITED WARRANTY IS IN LIEU OF ALL OTHER WARRANTIES, AND EXPRESSLY DISCLAIMS ALL OTHER WARRANTIES, EXPRESS OR IMPLIED, INCLUDING WITHOUT LIMITATION ANY IMPLIED WARRANTY OF MERCHANTABILITY OR FITNESS FOR A PARTICULAR PURPOSE. THIS LIMITED WARRANTY SETS FORTH THE PURCHASER'S SOLE REMEDY IN CONNECTION WITH THE SALE OR USE OF PRODUCTS COVERED BY THIS LIMITED WARRANTY AND IN NO EVENT SHALL WE, THE SELLER, BE OTHERWISE LIABLE FOR ANY LOSS, DAMAGE OR INJURY OF ANY NATURE ARISING OUT OF THE SALE OR USE OF THE PRODUCTS DELIVERED HEREUNDER, WHETHER FOR NEGLIGENCE, BREACH OF CONTRACT OR UNDER ANY OTHER LEGAL OR EQUITABLE THEORY. WE, THE SELLER, SHALL NOT BE LIABLE FOR ANY INDIRECT, SPECIAL OR CONSEQUENTIAL DAMAGES ARISING OUT OF THE SALE OR USE OF SUCH PRODUCTS, INCLUDING BUT NOT LIMITED TO LOST PROFITS, REVENUES, ANTICIPATED SALES, BUSINESS OPPORTUNITIES OR FOR INTERRUPTION OF BUSINESS\*. THIS WARRANTY IS NON-TRANSFERABLE.

\*Some states do not allow the exclusion or limitation of incidental or consequential damages, so the above limitation or exclusion may not apply to you. This warranty gives you specific legal rights, and you may also have other rights which may vary from state to state.

Note: This warranty does not include items identified as 'wear items' that can be purchased. If you require replacement of a 'wear item', please contact us.

P.O. Box 30  
Warren, OH 44482-0030

(800) 632-6322  
Fax (330) 399-4426



# Trimslate Shower Bases

## Installation Instructions

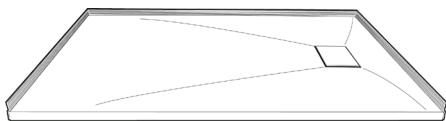
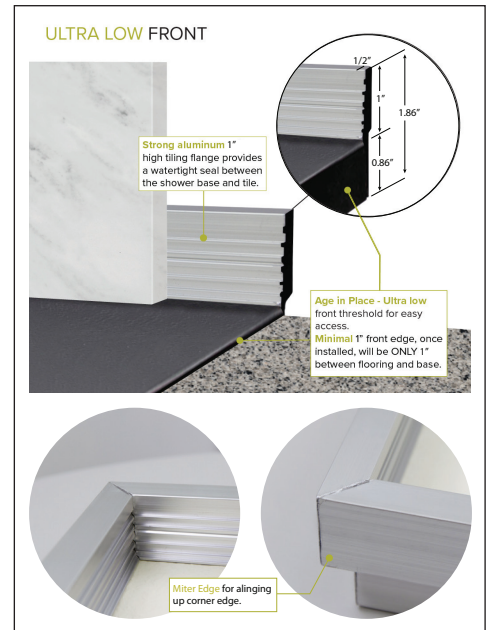
All shower bases rest on sub-floors, not finished floors. The shower bases are made to strict standards, which provide a level base. However, most floors are not level. *Trimslate Shower Bases are structurally strong. However, a mortar base is recommended for leveling purposes. The mortar base allows the installer some flexibility to ensure the base is square and level.*

Trimslate shower bases are available in 3 different models:

**Zero Threshold, Adjustable Single Threshold, and Adjustable Double Threshold.**

Each shower Base includes 3 aluminum flanges which are not attached to the base. The Zero Threshold shower base can be trimmed in the field to provide solutions to many custom applications. Once the base has been trimmed or ready for installation without modification, the flanges can be attached using screws and either silicone or epoxy to attach to the back and sides of the base. The Adjustable Single Threshold also includes one threshold. The Adjustable Double Threshold shower bases also includes two thresholds. The threshold(s) will be installed after the base as been installed.

The Zero Threshold Shower can be rotated 360° to allow for the best drain location. The Zero Threshold, Adjustable Single Threshold, and Adjustable Double Threshold bases are available with a left/right drain location on the 32" & 36" depth models and a center drain on the 32", 36", 40", 42", & 48" depth models.



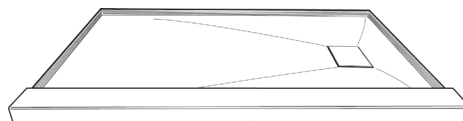
**ZERO THRESHOLD  
SHOWER BASE**

Offered in nominal shower base sizes:

- 48" x 36"
- 51" x 40"
- 60" x 32"
- 60" x 36"
- 60" x 40"
- 60" x 42"
- 60" x 48"
- 63" x 32"
- 63" x 36"
- 63" x 40"
- 66" x 42"
- 66" x 48"
- 67" x 36"
- 72" x 36"
- 72" x 42"
- 72" x 48"
- 79" x 40"

Also offered in nominal shower base sizes with drain location for tub replacement:

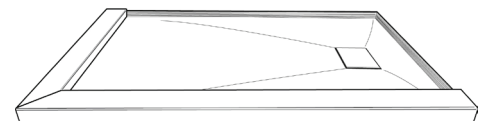
- 60" x 32"
- 60" x 36"
- 63x32"
- 63x36"



**SHOWER BASE with  
ADJUSTABLE SINGLE THRESHOLD**

Offered in nominal shower base sizes:

- 48" x 36"
- 51" x 40"
- 60" x 32"
- 60" x 36"
- 60" x 40"
- 60" x 42"
- 60" x 48"
- 63" x 32"
- 63" x 36"
- 63" x 40"
- 66" x 42"
- 66" x 48"
- 67" x 36"
- 72" x 36"
- 72" x 42"
- 72" x 48"
- 79" x 40"



**SHOWER BASE with  
ADJUSTABLE DOUBLE THRESHOLD**

Offered in nominal shower base sizes:

- 48" x 36"
- 51" x 40"
- 60" x 32"
- 60" x 36"
- 60" x 40"
- 60" x 42"
- 60" x 48"
- 63" x 32"
- 63" x 36"
- 63" x 40"
- 66" x 42"
- 66" x 48"
- 67" x 36"
- 72" x 36"
- 72" x 42"
- 72" x 48"
- 79" x 40"

## STANDARD SHOWER BASE INSTALLATION

**Tools Required:** Circular Saw with Diamond Bit, Jigsaw, Drill with Hole Saw, and a Level.

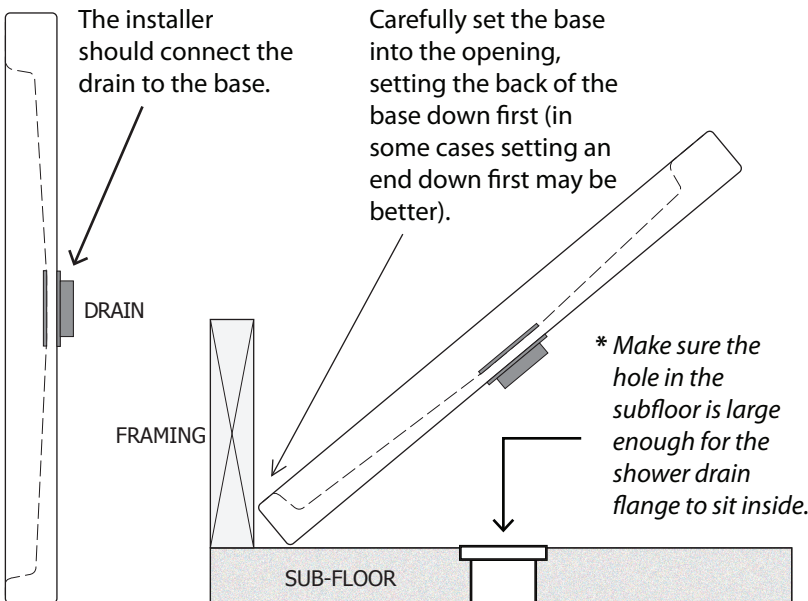
1. Shower base includes 3 separate aluminum flanges, 1 longer back piece and 2 shorter side pieces.
2. Trim shower base if necessary.
  - Back wall on end drain bases can be trimmed 4". Opposite wall of drain can be trimmed up to 5"
  - Center drain models can be trimmed up to 5" on either end and 5" on back wall.
3. Attach aluminum flanges to cut or uncut shower base using either epoxy or 100% silicone. Make sure to apply epoxy or silicone to the mitered corners. Provided screws can also be used in addition to epoxy or silicone.

5. After the Installer has connected the drain, the substrate material (sheet-rock, green board etc.) is ready to be installed.

Set 1/4" above the aluminum flanges (*aluminum flanges not intended to be screwed into the studs*) The substrate material (sheet-rock, green board etc.) should stop approximately 1/4" above the flange of the base. *See diagrams.*

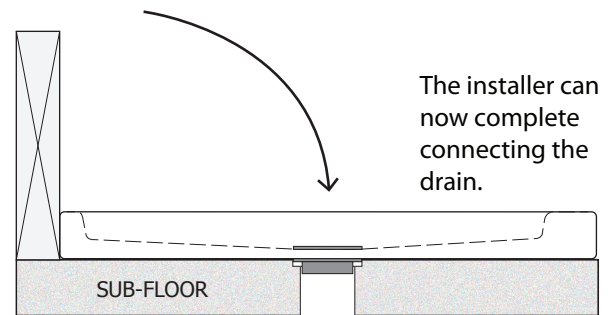
6. Finish walls should sit on top of shower base.

BASE

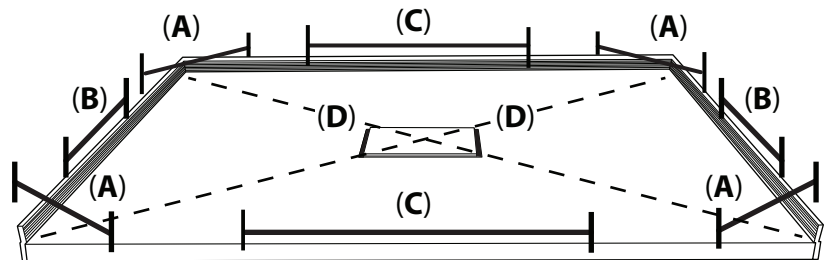


Carefully lower the base down into place, joining the base drain and the floor drain.

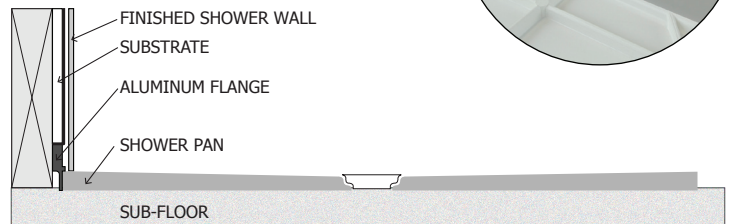
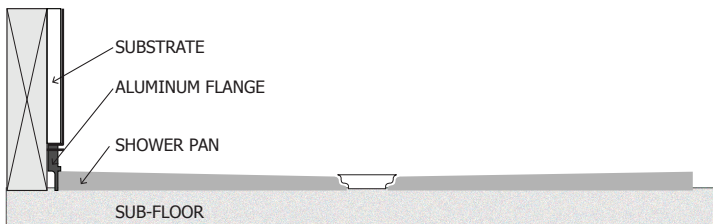
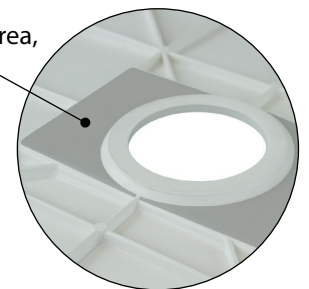
- Substrate material (sheet-rock, green board etc.) should not be installed until after the installer has connected the plumbing to the base.



4. After setting the base in place with thinset, you will need to check for levelness by placing a level in all 4 corners (A), both sides (B), and the front and rear of the base (C). If any areas are out of level, you will need to make proper adjustments prior to continuing installation. To ensure proper slope, use a straight edge on a diagonal across the base to check the slope is going towards the drain (D).



\* If using thinset under the flat of the drain area, **YOU MUST MAKE SURE YOU DO NOT CREATE A CROWN IN THE BASE.**



# SHOWER GRAB BAR SHELF INSTALLATION INSTRUCTIONS

## Questions, problems, missing parts?

Before returning to your retailer, call our customer service department at 1-844-974-2400, 9 a.m. - 5 p.m., EST, Monday - Friday

## Shower Shelf Models

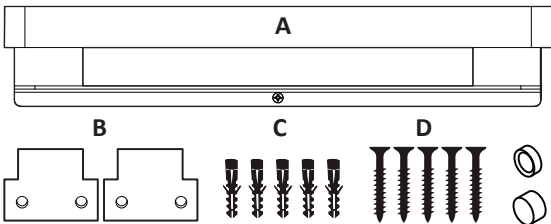
20" Shelf  
30" Shelf

**PLEASE READ THESE INSTALLATION INSTRUCTIONS THOROUGHLY PRIOR TO INSTALLING THIS SHOWER SHELF**

**IMPORTANT: THIS PRODUCT SHOULD ONLY BE INSTALLED BY QUALIFIED AND TRAINED PERSONNEL**

FAILURE TO FOLLOW THESE INSTRUCTIONS COULD LEAD TO IMPROPER INSTALLATION OF THE SHOWER SHELF, STRUCTURAL AND/OR WATER DAMAGE TO THE WALL AND IN-WALL SUPPORT STRUCTURES, AND/OR SERIOUS BODILY INJURY IN USE. IN ADDITION, ALL WARRANTIES, EXPRESS OR IMPLIED, WILL BE NULL & VOID DUE TO IMPROPER INSTALLATION OF THIS PRODUCT. THE MANUFACTURER DOES NOT ASSUME ANY LIABILITY FOR DAMAGE RESULTING FROM SERVICES PERFORMED BY OTHERS, OR FAULTY INSTALLATION, MISUSE OR MISAPPLICATION OF GOODS.

TO ASSURE PROPER AND SAFE INSTALLATION, THIS SHOWER SHELF MUST BE INSTALLED INTO A MINIMUM 2" THICK SOLID WOOD IN-WALL BACKING MATERIAL. MAKE CERTAIN IN-WALL BACKING COMPLIES WITH ALL LOCAL BUILDING CODE REQUIREMENTS.

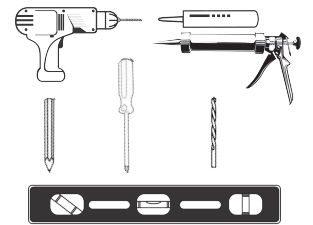


### HARDWARE PROVIDED

- A Shelf (1)
- B Mounting Brackets (2)
- C Wall Anchors (5)
- D Self-Tapping Screws (5)
- E Screw Cap Base (1)
- F Decorative Screw Cap (1)

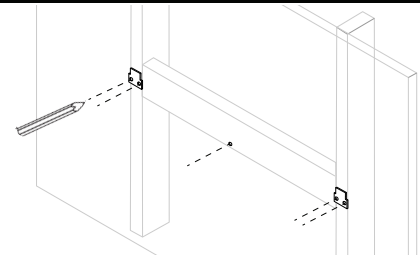
### TOOLS REQUIRED

- Pencil
- Level
- Power Drill
- 3/16" Drill Bit
- Philips Screw Driver
- Silicone



## STEP #1: LOCATION

- Remove Shower Shelf from package.
- Locate the area with 2" solid wood in-wall backing on the desired mounting location.
- Place the shelf in position on the wall. Using a level (not provided), ensure the shelf is level and mark the location for drilling of the mounting holes in the wall.
- Using a pencil or suitable marker, it is **extremely important** you mark the center of each of the five (5) mounting holes precisely on the mounting surface.



*Proceed cautiously with installation process to avoid drilling into electrical and/or plumbing behind wall.*

*All mounting points must fasten into structural wood backing (minimum 2" thickness). Where possible, drill through tile - not grout.*

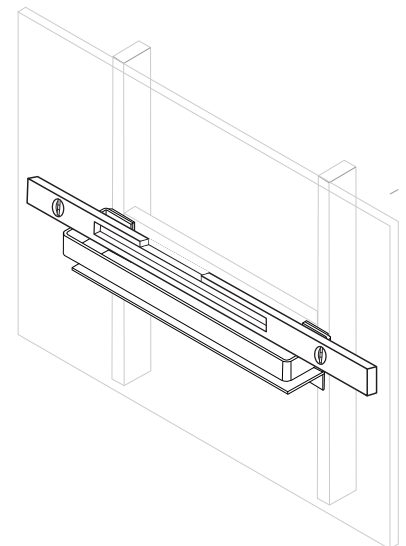
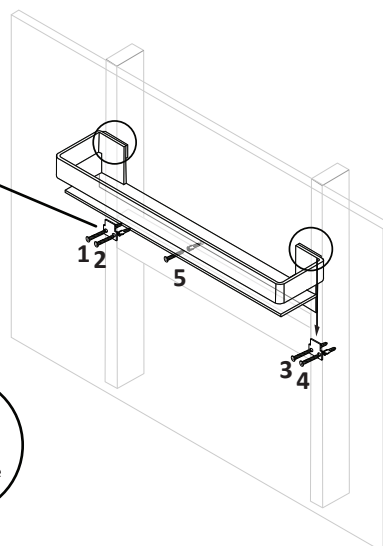
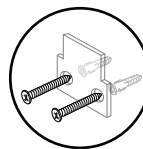
## STEP #2: MOUNTING

Drill five holes with a 3/16" drill bit (not provided) at the locations indicated.

Apply silicone to hole to ensure a water-tight seal. Tap in wall anchors. Position and install mounting brackets with four self-tapping screws to secure brackets to wall.

### MOUNTING

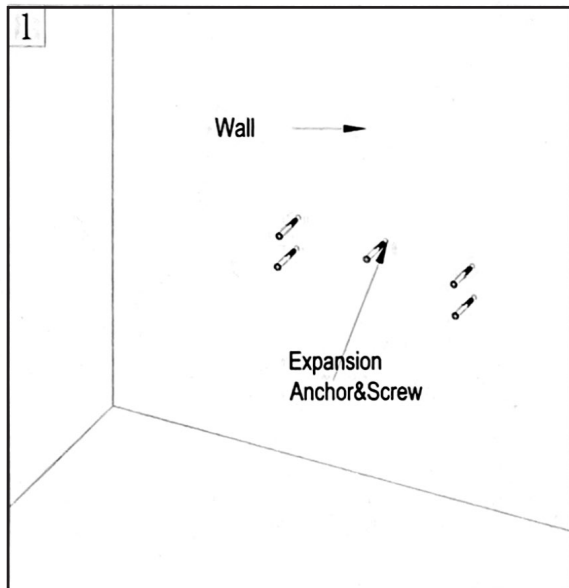
Position shelf above brackets and slide down onto brackets. Before securing remaining self-tapping screw in center position, place screw through screw cap base and secure screw into wall anchor. After center screw is secure and counter sunk into screw cap base, snap on decorative cap. Using a level, confirm shelf is mounted level. If not, small adjustments can be made to brackets.



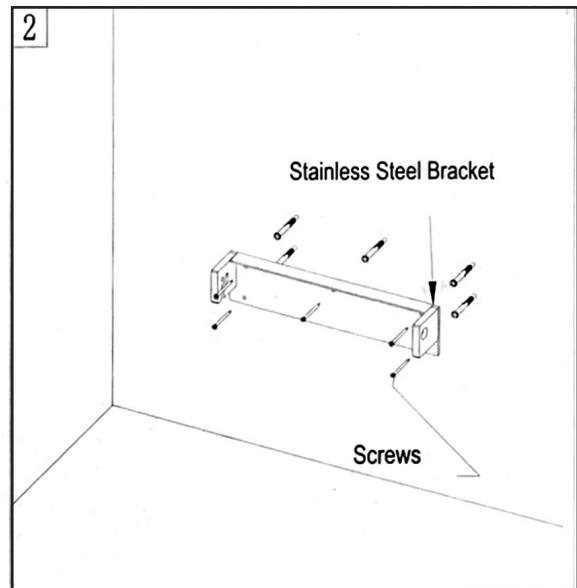
# QUICK INSTALLATION TIPS OF SEAT

Before attempting to install any seat, read both the seat instructions and make sure your installation can be conformed with local standards.

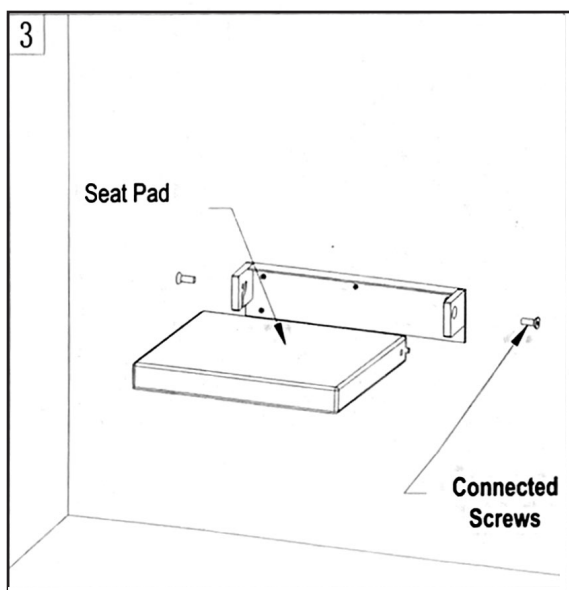
(some installation maybe need professional help)



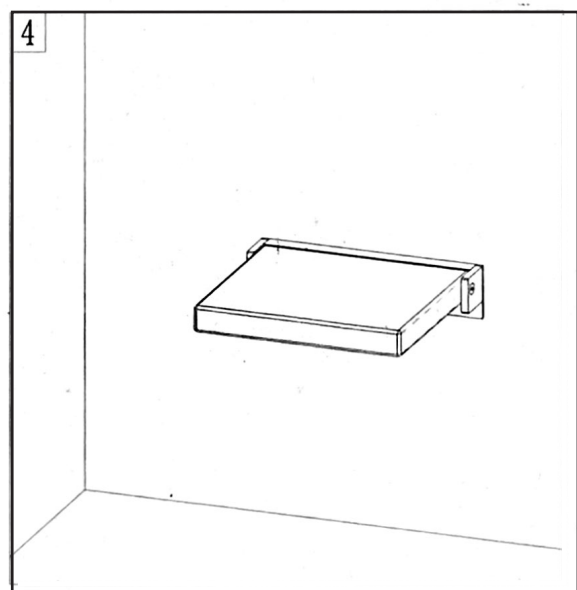
Fix the position of mounting holes on wall depend on the actual dimension of Stainless Steel Brackets(a total of 5holes)



Lock the screws on the wall in turn



Fasten the PU seat pad on the bracket by 2 pcs screws and ensure the seat pad can be moved along guide channel smoothly, then these screws can be locked.



The schematic of seat installation

## Maintenance and cleaning:

- Use the gentle soap to clean the seat pad and wipe the surface by soft cloth.
- Avoid using the detergent or antiseptic or other cleanser which is loaded in spray-can.
- Do not use the corrosive cleaning powder.
- Some bathroom chemical or cosmetics will destroy this seat.
- After equipped, pls check the tightness of bolts for seating safety.

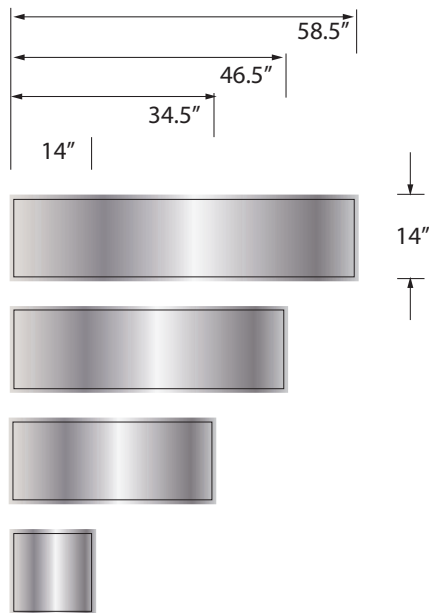
Note: Products Pictures are for visual reference only



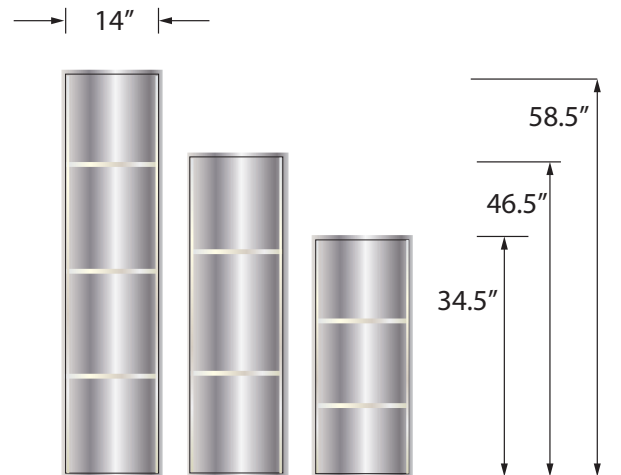
# Transolid Stainless Steel Storage Pods Installation Instructions

- SAFETY GUIDELINES
- KIT CONTENTS
- REQUIRED TOOLS
- PREPARATION TIPS
- INSTALLATION PROCEDURE
- WARRANTY INFORMATION

## STH - Horizontal Storage Pods



## STV / STVL - Vertical Storage Pods



**READ AND UNDERSTAND BEFORE INSTALLING**

Form #SP-11.19

### IMPORTANT NOTICE

**IMPORTANT NOTICE:** Indicates that equipment or property damage can result if instructions are not followed.

#### Read and Understand the Manual

It is the responsibility of any individual who installs or maintains this product to fully understand and follow proper installation and maintenance procedures. Be aware of the inherent dangers in the use of power tools when installing this product. Read and understand all Warnings, Cautions, and Important Notices in this manual.

#### Work Safely

DO NOT proceed if any doubt arises about the correct or safe method of performing anything found in this or other Transolid® manuals. The installation of this product can require using power tools. Do not use power tools without adequate training. If necessary, hire or consult a trained professional for expert assistance before continuing.

#### Use Proper Tools

Always use proper tools which are in good, working condition during the installation of the Transolid® products. Using tools other than those listed could adversely affect the integrity of floors, pipes, walls, or this product and could result in water damage or other damage to floors, pipes, walls, or other portions of your building or home.

#### Do Not Use Nails

The storage pod mounts to walls with 100% clear silicone sealant only. Transolid® recommends 100% clear silicone sealant to mount this product. Never use hammers, nails, or screws. Hammers, nails and screws could adversely affect the integrity of this product. Nails and screws could puncture the Transolid® Wall Systems and Panels, resulting in water or other damage to floors, pipes, walls or other portions of your building or home.

#### Inspect Before Cutting

Make sure no electrical wiring or plumbing is present before cutting into a wall to install any accessories.

#### Wall Conditions

Inspect the storage pods before installing. Never install pods over damp walls or an existing mold condition.

#### Use Proper Installation Methods

Follow all instructions related to wall surface preparation. Failure to follow such instructions could cause the pods to detach from the wall surface after installation, resulting in personal injury. Failure to follow these instructions could result in water damage.

### WARNING

#### Lifting Hazard

According to the National Institute of Occupational Safety and Health, the recommended maximum safe lifting weight is 51 pounds, with all lifting conditions perfect - minimal forward reach, steady load close to the body, straight back, load between knees and shoulders, and good grips. To avoid personal injury, always use these proper lifting techniques and use two people to move carton weighing more than 51 lbs. The box containing Transolid® a storage pod can weigh in excess of 100 pounds depending on pod size. Use the appropriate lifting devices to move the load. Always use two people when lifting heavy or bulky cartons. DO NOT attempt to lift objects that are too heavy. When carrying a heavy load - get help!

#### Room Temperature

Consult the 100% silicone sealant manufacturer's instructions for storage and surface preparation. Failure to follow this recommendation could adversely affect the silicone sealants which holds the pods to the wall. If the pods are not correctly adhered to the walls, they may fall off, causing possible injury to someone in or around the shower enclosure.

#### Eye Protection

Be sure to use all personal protective equipment to ensure your own safety. To avoid eye injury, always wear protective glasses with side shields when using power tools. Also, make sure no one else can be injured by flying particles when using power tools.

#### Personal Protection

Be sure to use all personal protective equipment, such as sturdy work boots, preferably with steel toes, gloves, and hard hat, if necessary, to ensure your own safety. To prevent possible damage to your hearing, always wear ear protection, such as earmuffs or earplugs, when working around power tools.

#### Cutting Hazard

The installation of Transolid product may require using power tools. Keep hands away from the cutting edge of any tool used in the installation of our product. Place fingers in or around the cutting blades could result in serious personal injury.

#### Sharp Edge Hazard

After cutting the edge of a Transolid® panel, it can be sharp. Wear protective gloves to prevent personal injury.

#### Slipping Hazard

Do not install this product in the presence of water. Installing this product without drying all surfaces, or in the presence of water, could cause you to slip and fall due to wet floors or spilled fluids. Personal injury can result from slips or falls. Before installation, dry all surfaces, including the floor, with a cloth or paper towel. Clean up all water or spilled fluids immediately.

#### Fire Hazard

Personal injury or death can result from a fire caused by flammable liquids or silicone sealants. Cleaners or solvents can be highly explosive, resulting in personal injury or even death, when not used properly. Clean up any flammable substance immediately. Sparks or open flames can cause flammable substances to ignite. DO NOT smoke while working on or near any flammable substance.

#### Solvent Hazard

Follow all manufacturer's safety instructions for silicone sealants and denatured alcohol. Alcohol vapors are both flammable and hazardous to breathe. Silicone vapors may irritate eyes and nose. Personal injury can result from improperly handling or use of products, such as denatured alcohol. Always follow the manufacturer's recommendations for the safe use of these products. Ventilate any work area before beginning to apply silicone sealants, cleaning agents, or solvents.

#### Fumes Hazard

The fumes from the silicone and solvents used by the installer can be harmful if used in an unventilated room. Always work in a well ventilated area. To keep the area well-ventilated, open windows and use exhaust fans. If adequate ventilation is not achievable or practical, use respiratory protective equipment.

#### Dust Hazard

When cutting or drilling Transolid product, use a dust collection method which prevents dust particles from going into the air. Always work in a well-ventilated area. Always use an OSHA approved dust mask when cutting, drilling, or sanding Transolid® products.

#### Power Tool Hazard

To prevent personal injury or possible death, always follow the electrical safety recommendations of the power tool's manufacturer. Do not use power tools in an unsafe manner. Power tools should only be connected to a circuit protected by a ground-fault circuit interrupter (GFI).

#### Shock Hazard

Never use electric power tools around water, condensation, or other liquids. Electric shock can cause severe burns, significant injuries, and even death. If an extension cord is required, always use an OSHA approved extension cord. Power cords should only be connected to a circuit protected by a ground-fault interrupter (GFI).

#### Electrical Shock Hazard

Contacting live electrical wiring with power tools or hand tools can cause serious injury or death. Make sure all related circuit breakers are turned OFF. Test for live circuits or wiring inside any wall where installation of the Transolid® product requires cutting into a wall.

## Electrocution Hazard

Water and other liquids conduct electric current and can create a short circuit, resulting in injury or death. Keep all liquids away from electrical cords and power tools. DO NOT create a short circuit between a source of electricity and a liquid by being in contact with both simultaneously.

## General Information

### Required Tools

- 100% clear silicone sealant
- Circular saw with 60 to 80 tooth carbide blade
- Saber saw (straight up and down travel) with bi-metal blade (14 teeth per inch)
- Drill with 3/8" drill bit
- Tape measure
- Masking tape (2" wide works best)
- Level
- Caulking gun
- Clean paper towels or shop towels
- 2 x 4 lumber, as required for bracing (see Bracing Instructions)
- Denatured alcohol

## Kit Contents

Confirm that all parts of this kit has been included before beginning installation.

STH Horizontal Storage Pod - pod only

STV Vertical Storage Pod - pod and tempered glass shelves.

STV3414 - 2 glass shelves

STV4614 - 2 glass shelves

STV5814 - 3 glass shelves

STVL Lighted Vertical Pod - pod with installed light strips, tempered glass shelves and 12V battery pack. Refer to STV for number of shelves included.

For best results, use 100% clear silicone sealant for bonding this product to a wall. You will need one tube of 100% clear silicone sealant (tube sized to fit a standard caulking gun). Follow the application recommendation located in the Pod Installation of this manual.

## Unpackaging

•Use care when opening the box so that you do not damage the pods.

•This product is shipped to you or your retail center after careful inspection. After purchasing the kit, carefully unbox and inspect the product for any shipping damage that may have occurred. If damage is found, report it immediately to the store of purchase. After inspection and during installation, protect the products from construction damage by moving them to another room or area until ready to install.

•Please use the model number located on the side of the box or the front of this manual when contacting us with questions concerning the installation of this unit.

•Installation of damaged product will void the warranty.

## Preparation Tips

- Read these instructions carefully and familiarize yourself with the various parts of the kit.
- The mounting surface must be free of dirt, film, waxes, or any other residues.
- When you are installing a recessed accessory such as a storage pod, cut the hole after the panel is installed and fully supported by the wall. Remember to position the storage pod between the wall studs.

## Installation Procedure - STH and STV

- Wall panels and sub wall (cement board) must be cut to install storage pods.
- Determine the placement location of the storage pod and mark the cut-out dimensions on the wall. Consult the cut-out dimensions below for your storage pod.

### Horizontal Storage Pods

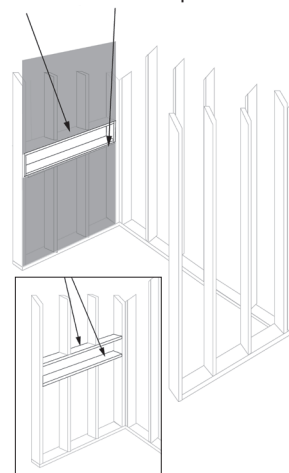
Model No	Cut Out Dimensions	
	Width	Height
STH5814	57-1/2"	13"
STH4614	45-1/2"	13"
STH3414	33-1/2"	13"
STH1414	13"	13"

### Vertical Storage Pods

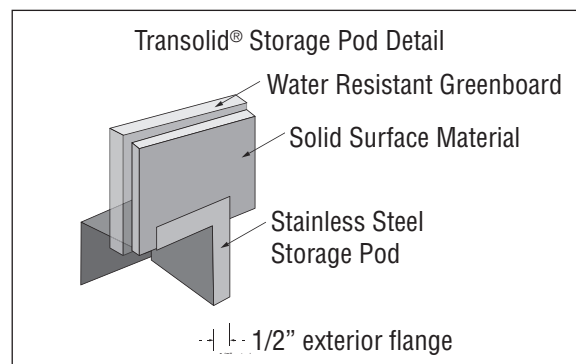
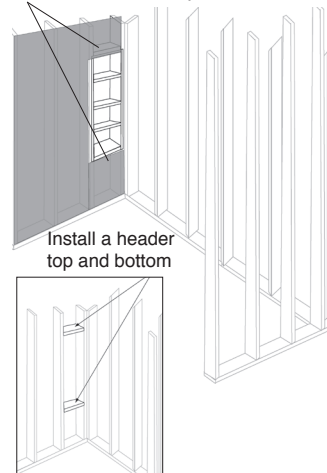
Model No	Cut Out Dimensions	
	Width	Height
STV5814	13"	57-1/2"
STV4614	13"	45-1/2"
STV3414	13"	33-1/2"

- Place pieces of masking tape over the area where the saw contacts the finished surface of the wall panel. Cut the panel and sub wall using a circular saw with a 60-80 tooth carbide blade or a saber saw with bi-metal blade (14 teeth per inch). Install a header top and bottom.

Horizontal Storage Box  
Install a header top and bottom



Vertical Storage Box  
Install a header top and bottom



## Installation Procedure

### Storage Pod Installation *continued*

- Dry fit the storage pod into the cut out area. Before starting final installation, make sure the wall surface is clean and dry.
- Apply 100% silicone to the back side of the 1/2" frame surrounding the pod. Insert the storage pod into cut out area. Make sure the storage pod is straight and level.
- Apply masking tape to secure the storage pod to wall until the silicone caulk is dry. Drying time should be noted on silicone caulk tube.

### Caulking Tips

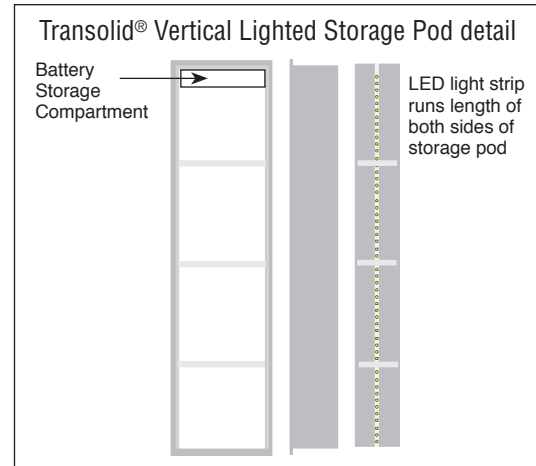
- Follow the instructions on the silicone caulk tube.
- When job is complete, inspect all caulked areas for gaps and fill as needed.
- Clean up any excess silicone that was missed using denatured alcohol and a clean cloth.

### Installation of Lighted Storage Pods

- Vertical Lighted Pods are lined with solid surface material and have waterproof light strips on both side walls. Illumination of lights is triggered from a motion sensor built into the storage pod. Power is thru 12V battery pack stored within storage pod. The battery pack is secured in pod with a magnet and is easily removable for recharging via micro USB. Glass shelves with locking shelf clips are included.

### Installation of Lighted Storage Pod *continued*

- Follow Installation Procedure on previous page for STV storage pod. After Pod is installed in wall, remove the cover to the Battery Storage Compartment. Disconnect and remove battery from compartment. Charge battery with supplied micro USB. After battery is fully charged, reconnect to magnetic plate which is attached to storage pod. Replace cover.



## WARRANTY Storage Pods - 10 Years Ltd. Residential / 3 Years Ltd. Commercial

TRANSOLID, Div. expressly warrants its products as listed above to be free of defects in material and workmanship, subject to the limitations set forth in this Limited Warranty. Each product will function for the purpose for which it was designed for the time period designated above from the date of purchase to the original buyer, provided it has been installed in accordance with the installation instructions provided by TRANSOLID, Div., used as recommended, and not damaged due to excessive heat or abuse.

This warranty does not cover replacements and/or corrections caused by misuse, improper maintenance or normal wear and tear, acts of nature, scratches, chips or damage caused by failure of any adhesive, caulk or other accessory, or failure of any caulked or filled joint or seam. This Limited Warranty covers the product for normal interior use in the United States, Mexico and Canada and does not cover the product moved from its original place of installation. Labor charges incurred during any installations are not included under this Limited Warranty.

TRANSOLID, Div. will, at its option, repair, replace, or refund the purchase price of the product to the original purchaser if a TRANSOLID, Div. product fails due to a TRANSOLID, Div. manufacturing defect, which is discovered during the warranted years as listed above after the initial purchase. Replacements and/or corrections are at the sole discretion of the Transolid, Div. and will be limited in scope to reasonable and equitable remedy.

This Limited Warranty applies to TRANSOLID, Div. products that are purchased after January 1, 2011 and maintained as described by TRANSOLID's care and maintenance guide. (If needed, the care and maintenance guide can be found on the TRANSOLID website at [www.transolid.com](http://www.transolid.com).) You may obtain coverage by providing proof of the date of initial purchase. For service under this Limited Warranty, you must notify TRANSOLID, Div. in writing, providing your name and address, a description of the product involved, the nature of the defect or failure, and proof of purchase and date of purchase. Repair or replacement shall not include any labor charges. This limited warranty is non-transferable.

The address to which warranty problems should be reported is: Transolid, Div., P.O. Box 30, Warren, OH 44482-0030 Transolid will ship (freight collect) to you products repaired or replaced under this Warranty.

Residential Limited Warranty. The warranty applies only to the original purchaser and installation of Transolid® products in residential applications. It does not apply to commercial applications.

### Commercial Limited Warranty

The warranty applies only to the original purchaser and installation of Transolid® products in commercial applications.

THIS LIMITED WARRANTY IS IN LIEU OF ALL OTHER WARRANTIES, AND TRANSOLID, Div. EXPRESSLY DISCLAIMS ALL OTHER WARRANTIES, EXPRESS OR IMPLIED, INCLUDING WITHOUT LIMITATION ANY IMPLIED WARRANTY OF MERCHANTABILITY OR FITNESS FOR A PARTICULAR PURPOSE. THIS LIMITED WARRANTY SETS FORTH THE PURCHASER'S SOLE REMEDY IN CONNECTION WITH THE SALE OR USE OF PRODUCTS COVERED BY THIS LIMITED WARRANTY AND IN NO EVENT SHALL TRANSOLID, Div. BE OTHERWISE LIABLE FOR ANY LOSS, DAMAGE OR INJURY OF ANY NATURE ARISING OUT OF THE SALE OR USE OF THE PRODUCTS DELIVERED HEREUNDER, WHETHER FOR NEGLIGENCE, BREACH OF CONTRACT OR UNDER ANY OTHER LEGAL OR EQUITABLE THEORY. TRANSOLID, Div. SHALL NOT BE LIABLE FOR ANY INDIRECT, SPECIAL OR CONSEQUENTIAL DAMAGES ARISING OUT OF THE SALE OR USE OF SUCH PRODUCTS, INCLUDING BUT NOT LIMITED TO LOST PROFITS, REVENUES, ANTICIPATED SALES, BUSINESS OPPORTUNITIES OR FOR INTERRUPTION OF BUSINESS\*. THIS WARRANTY IS NON-TRANSFERABLE.

\*Some states do not allow the exclusion or limitation of incidental or consequential damages, so the above limitation or exclusion may not apply to you. This warranty gives you specific legal rights, and you may also have other rights which may vary from state to state.

Note: Transolid warranty does not include items identified as 'wear items' that can be purchased through Transolid. If you require replacement of a 'wear item', please contact Transolid.

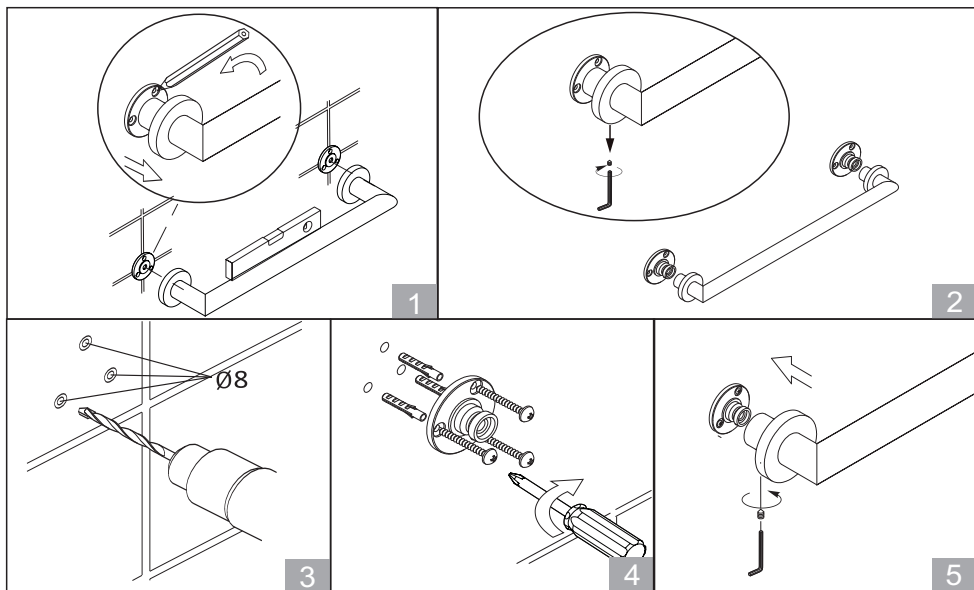
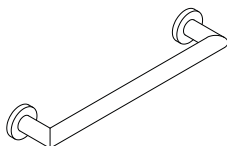
Transolid, Div.  
P.O. Box 30  
Warren, OH 44482-0030

(800) 766-2452  
Fax (330) 399-4426

[www.transolid.com](http://www.transolid.com)  
E-mail: [sales@transolid.com](mailto:sales@transolid.com)



# Instruction Manual



## Warning!

Please use the standard fixing kit for installation on concrete, solid brick, sand-lime perforated brick walls and solid board. Others walls, such as aerated concrete, plasterboard and gypsum fibre board require extra strengthening.

## Cleaning

Only clean and dry the surface with mild-cleanser and soft-cloth. Never use rough sponges, abrasives, ammonia, bleach or solvent based cleaners. It is recommended to clean the surface periodically for lucent surface.

Residues of liquid soaps, shampoos and shower foams can also cause damage, so rinse with clean water after using. The damage of already damaged surfaces will deteriorate under the effect of the cleansers. Components with damaged surface must be exchanged, otherwise there could be an injury danger.

# 6mm Lyna/Lydia Pivot Door Instructions

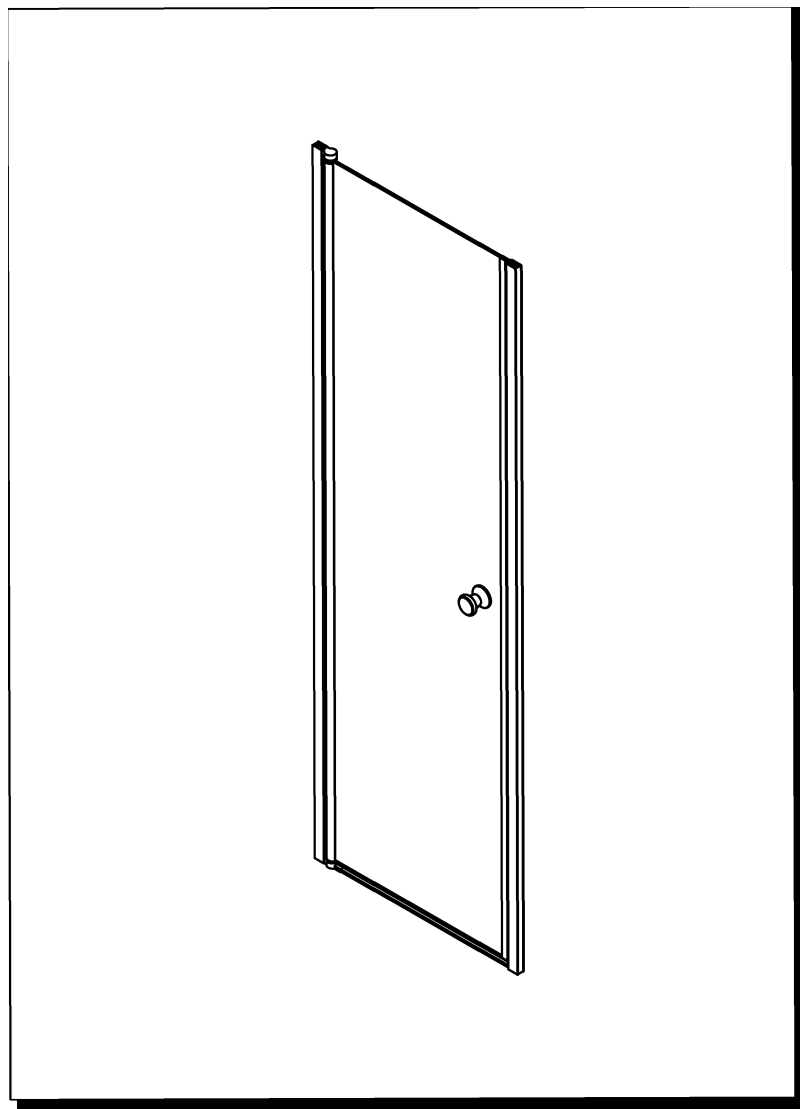
## Important Points

Please read instructions before installation.

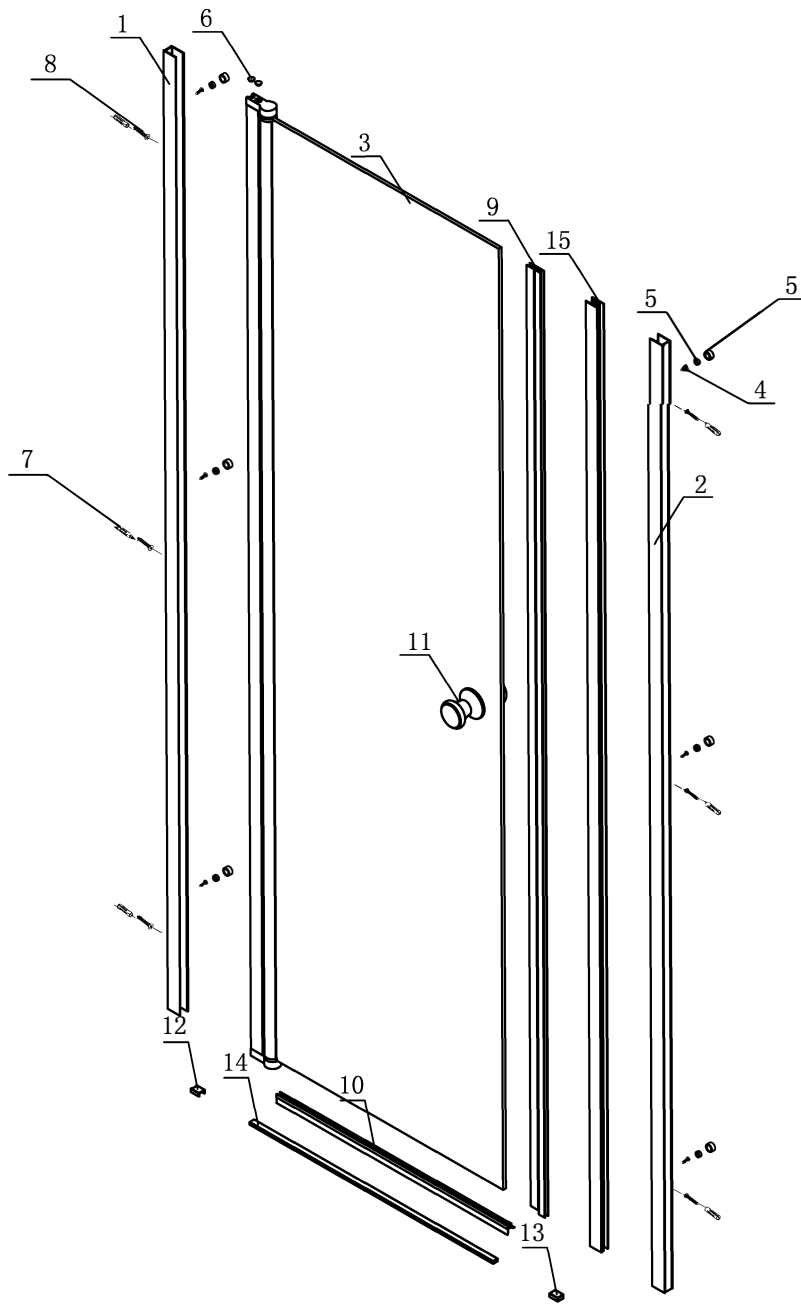
1. Check if all the components in the instructions are in the box.

Please check the following points before drilling on the wall.

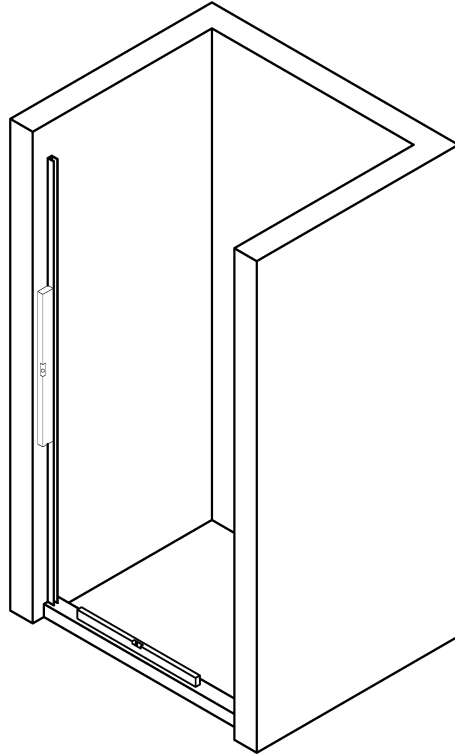
1. The wall plugs in the box are for solid wall. If the wall is hollow, you need to buy special wall plugs and screws.
2. Be sure no cables, water pipes in the wall. ◦
3. Check with your tile supplier for proper bits to drill tile. Glass is fragile, please put soft mats under glass. And protect the corner well when you stand the glass on a wall.



# Exploded Drawings

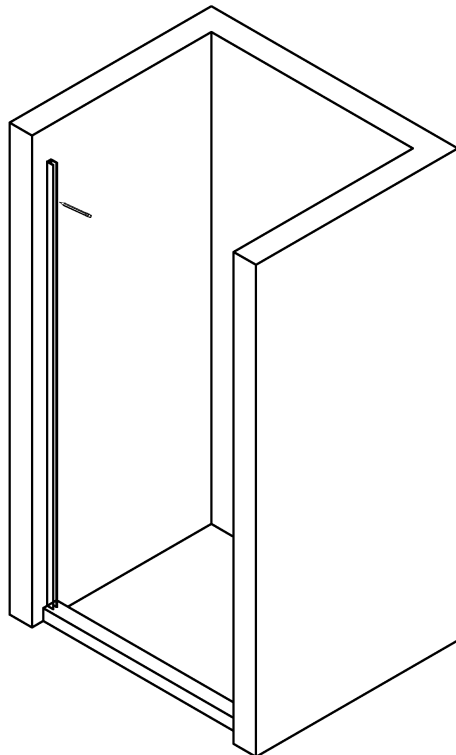


No.	Name	Qty	Drawing	No.	Name	Qty	Drawing	No.	Name	Qty	Drawing
1	wall jamb	1		5	screw cap kit	6		10	bottom PVC seal	1	
2	wall jamb	1		6	pivot screw cap	2		11	knob handle	1	
3	assembled door panel	1		7	wall plugs-Φ6	6		12	end cap with curve	1	
				8	pan head screw (ST4*50mm)	6		13	end cap no curve	1	
4	pan head screw (ST4*6mm)	8		9	Magnetci seal	2		14	bottom aluminum strip	1	
								15	aluminum profile for magnetic seal	1	



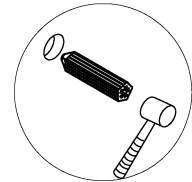
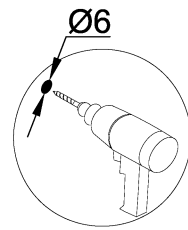
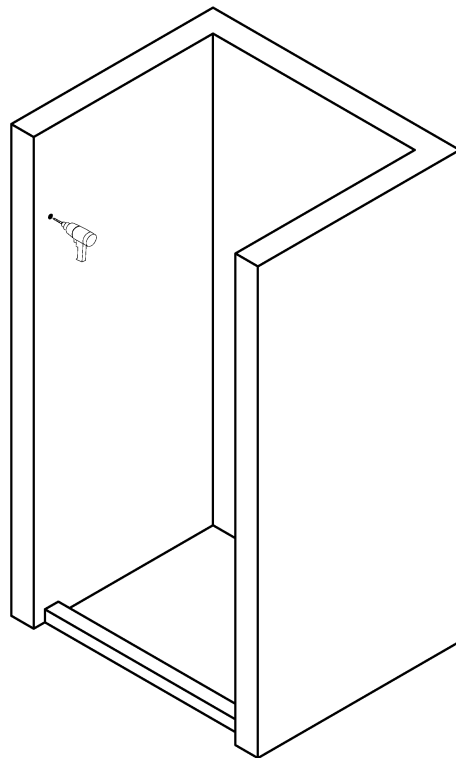
(drawing 1)

1. Prior to installation make sure the base is **100% level**. And put the wall jamb to wall to make it **100% level** and plumb. See drawing (1).



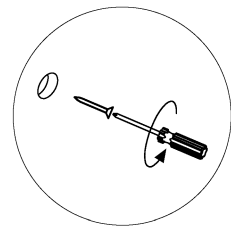
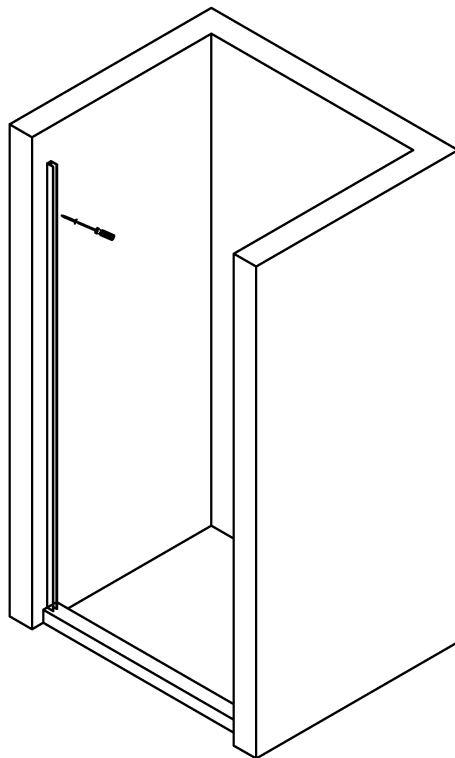
(drawing2)

2. Mark holes positions using a pencil through the holes on wall jamb. (Make sure no wire or pipes at the positions to drill), See drawing (2).



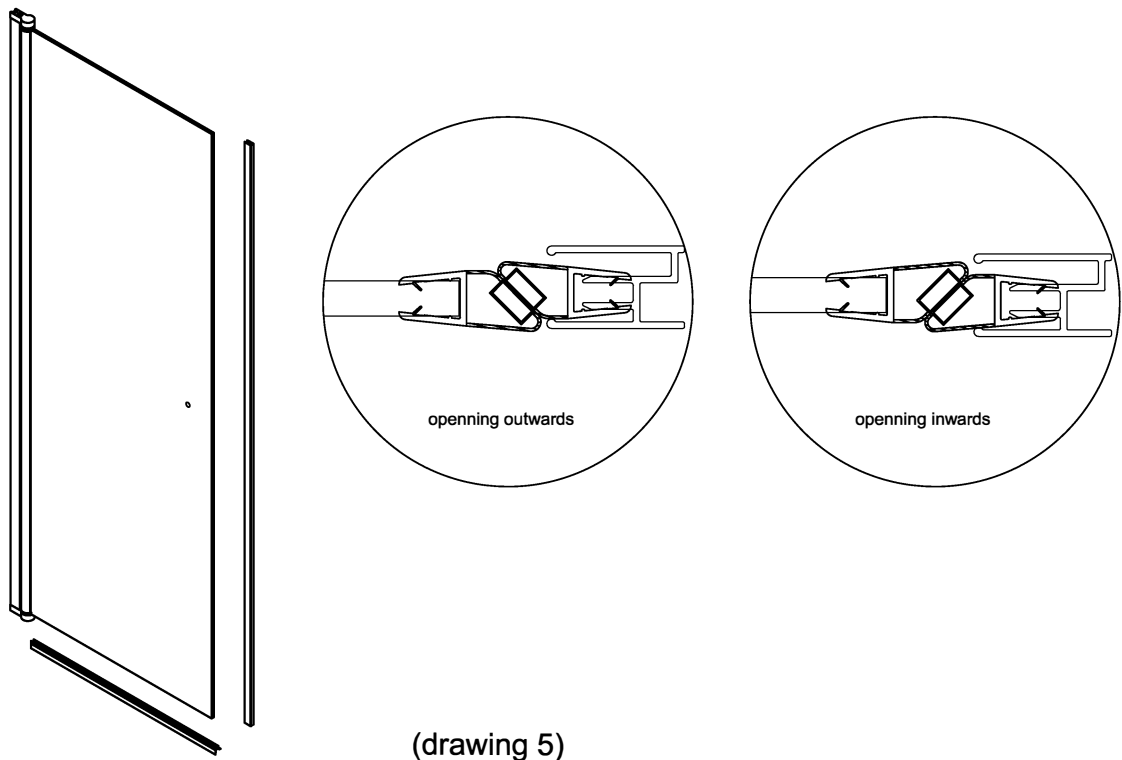
(drawing 3)

3. Move the wall jamb away. Drill holes onto the positions marked in step 2 and put in wall plugs. See drawing (3).

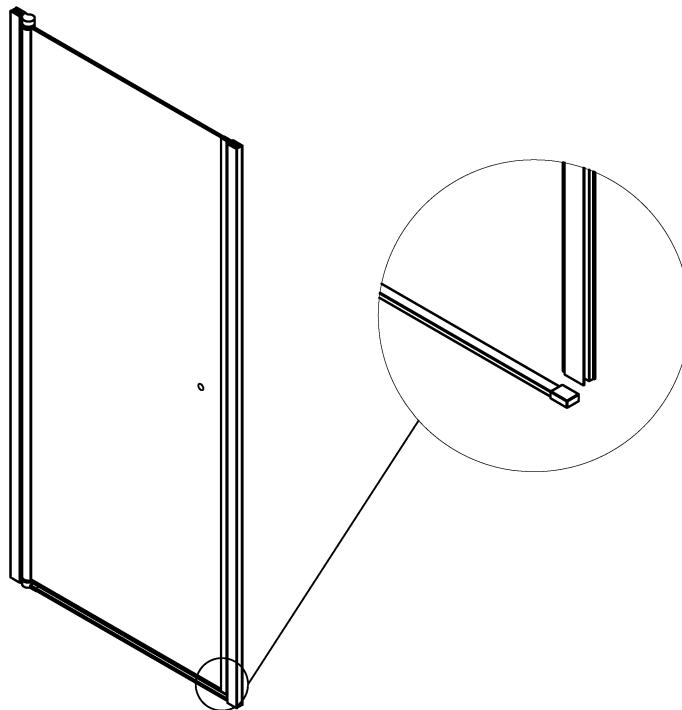


(drawing 4)

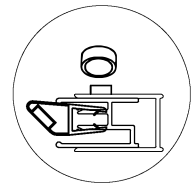
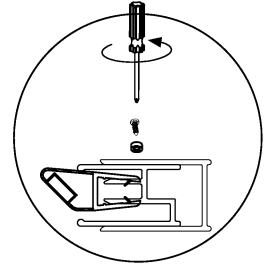
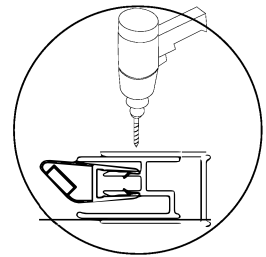
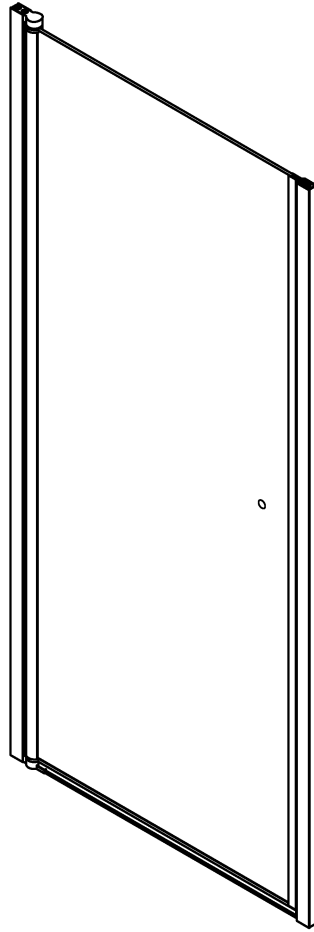
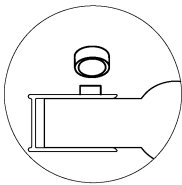
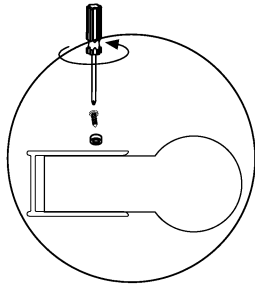
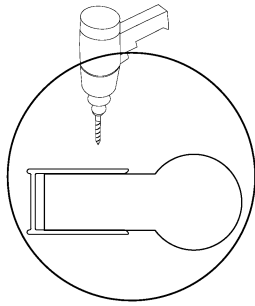
4. Fix wall jamb to wall using ST4\*50 screws. See drawing (4).



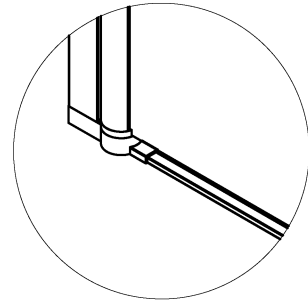
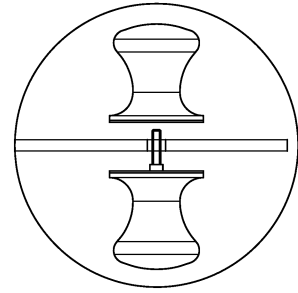
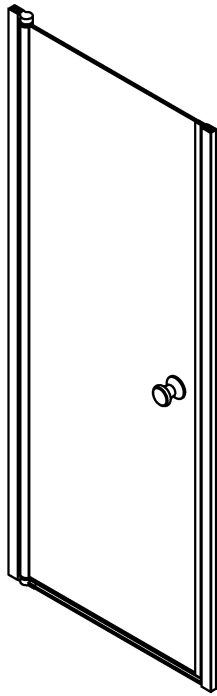
5. Fit bottom PVC water seal to the door panel bottom. The end of PVC water seal must against the round upright profile. Fit one piece of magnetic seal to the door and fit the other one to the magnetic profile (15) according to your opening direction. See drawing (5).



6. Install the pre-assembled door panel into wall jamb . Put the bottom aluminum strip at the door bottom and fit end cap with no curve to the end of the strip. Then fit the magnetic profile into the other wall jamb. The magnetic aluminum profile stand on the end cap of the bottom aluminum strip.

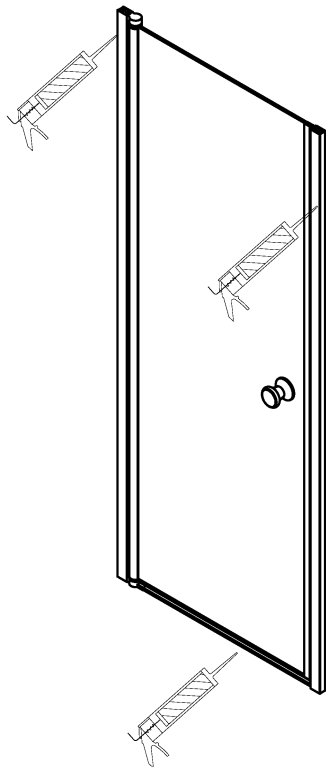


8. Adjust the door and magnetic seal position until the door can close squarely. Drill holes from inside of the shower secure the door channel to the wall jamb using the ST 4mm screws (4) and screw cap kit (5) . Repeat for the opposite side. Please note that before you screw the jamb please put the screw through the hole of the cap base then tighten it and cover with the screw cap.



(drawing 8)

8. Fit the knob handle to the door. Then open the door fit the end cap with curve the bottom aluminum strip. Please note that the end cap with curve is at the pivot side. See drawing (8).



(drawing 9)

9. Apply silicone between shower door and wall, bottom aluminum strip and floor. Please do not use the shower door until after 24 hours.