

RIMLESS UNDERMOUNT STAINLESS STEEL KITCHEN SINK

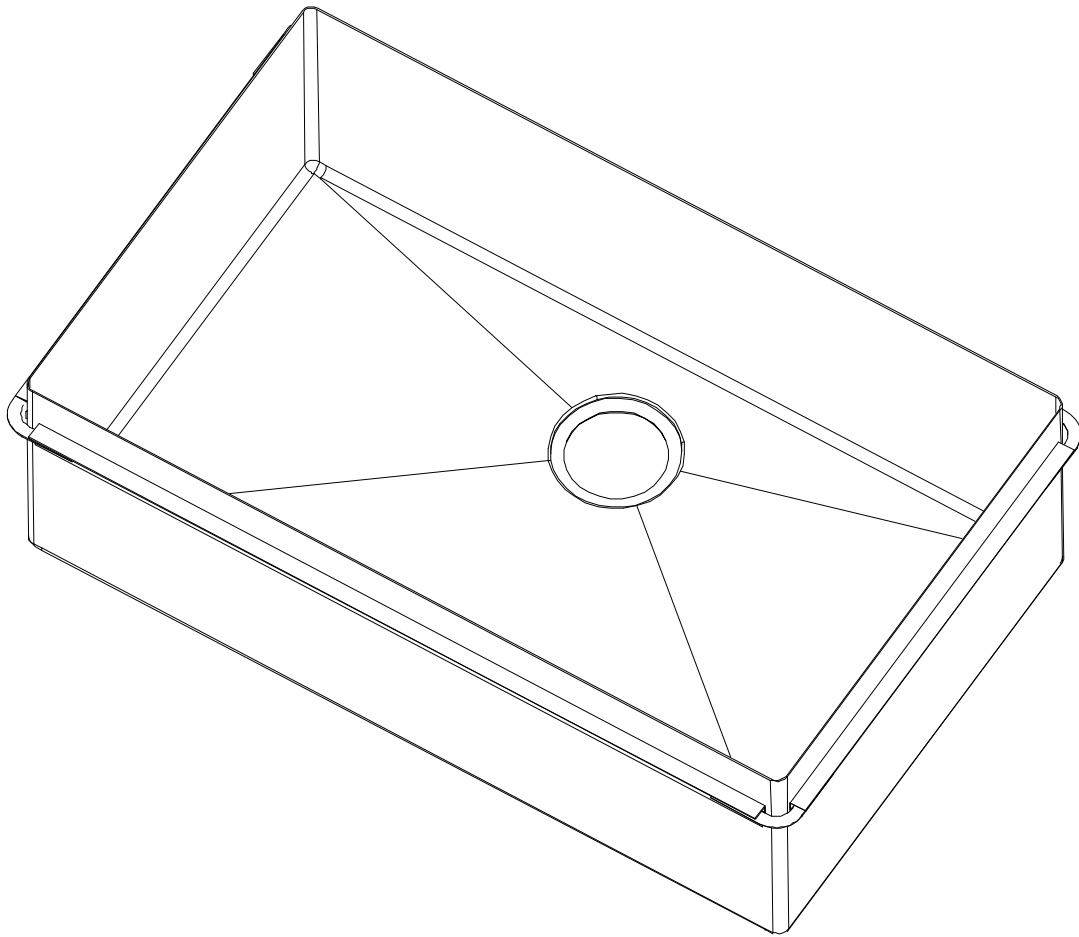


Table of Contents

Table of Contents	2	Installation.....	4
Safety Information	2	Care and Cleaning.....	8
Pre-Installation	4		
Planning Installation.....	4		
Tools/Materials Required.....	4		
Hardware Included.....	4		
Package Contents.....	4		

Safety Information

READ AND SAVE THESE INSTRUCTIONS



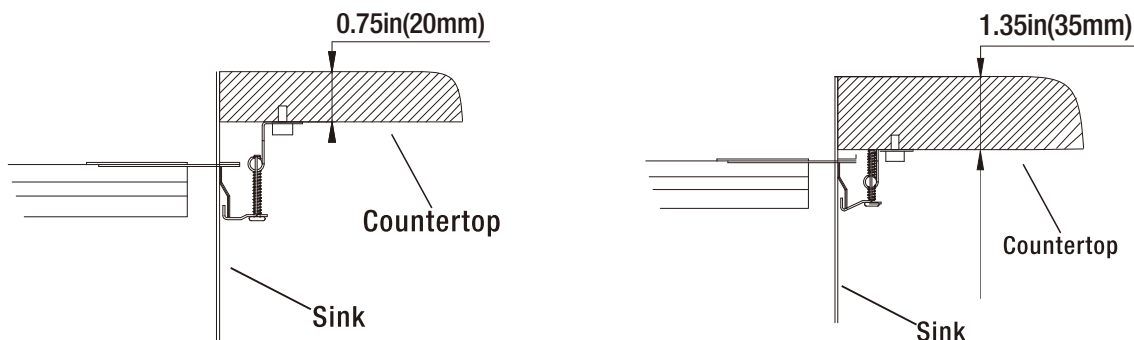
DANGER: Always wear safety goggles and gloves in order to avoid personal injury.

1. Inspect your unit before proceeding. Once you unpack your unit, check for chips, scratches, cracks, dents or scuff marks. If any damage is noticed, do not install.
2. Use this unit only in the manner intended by the manufacturer. If you have any questions, contact the manufacturer.
3. Installation work and plumbing must be done by qualified person(s) in accordance with all applicable codes and standards.
4. Protect the entire surface during installation.
5. All holes drilled into the unit must be done from the finished surface side with extreme care and caulked very carefully to form a watertight barrier.

Pre-Installation

PLANNING INSTALLATION

Clips make the sink can adapt to different thickness of the countertop varies from 0.75in(20mm) to 1.35in(35mm). Before installation, verify the countertop thickness.

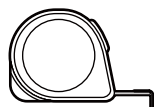


Compare all parts with the Hardware Included and Package Contents lists in this manual. Check the surface of the sink for any flaws or damage, including dents, bends, bumps, or scuff marks. If any damage is noticed or parts are missing, do not proceed with the installation.

TOOLS REQUIRED



Grinding machine



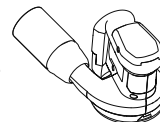
Measuring tape



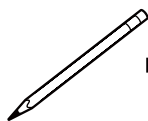
Safety goggles



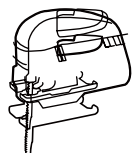
Phillips screwdriver



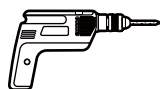
Sander



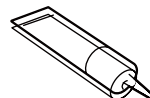
Pencil



Saber saw or Jig saw



Electric drill



Acrylic surface bonder

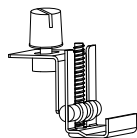


scissors

HARDWARE INCLUDED



NOTE:Hardware not shown to actual size.

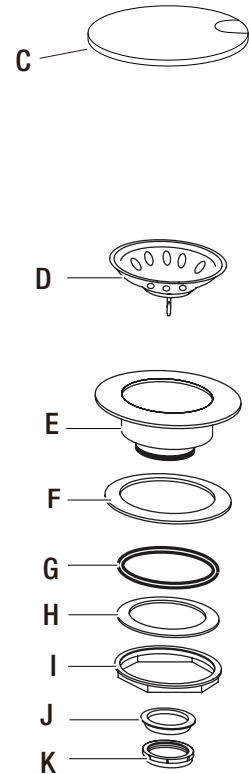
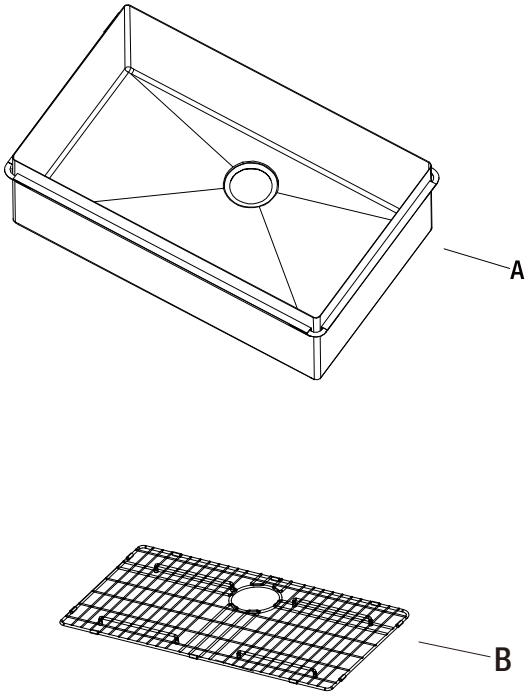


AA

Part	Description	Quantity
AA	Installation clips	10

Pre-Installation (continued)

PACKAGE CONTENTS



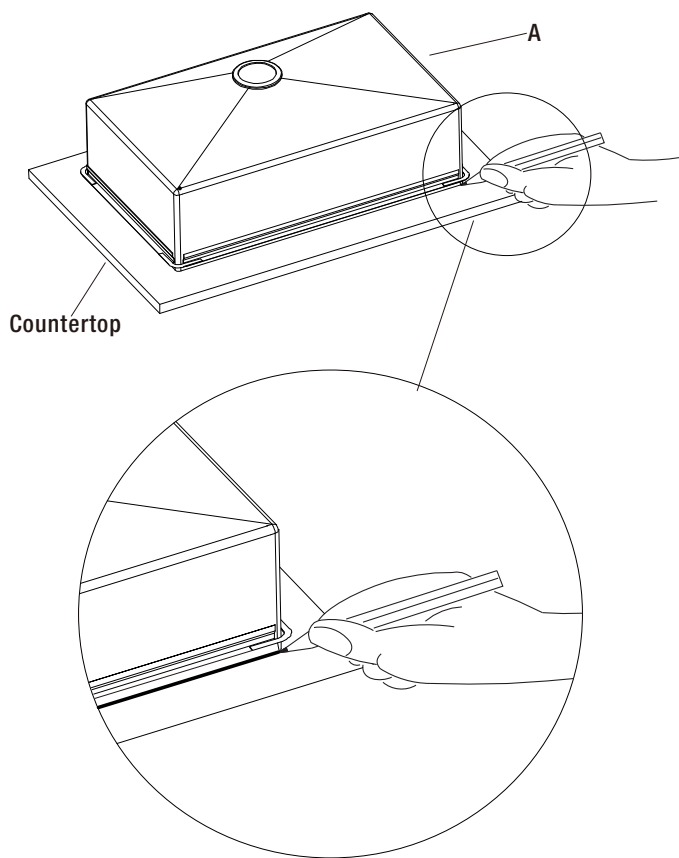
Part	Description	Quantity	Part	Description	Quantity
A	Sink	1	G	Rubber washer	1
B	Grid	1	H	Paper washer	1
C	Strainer cover	1	I	Lock nut	1
D	Screener	1	J	Plastic joint	1
E	Stainless steel bowl	1	K	Connecting nut	1
F	Strainer ring	1			

Installation

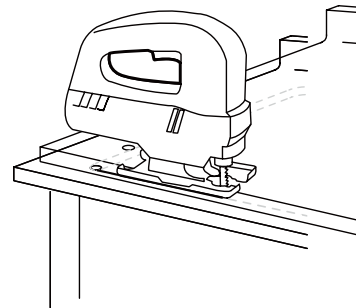
1 Preparing the installation location

NOTICE: It is strongly suggested that you contact a professional countertop fabricator when installing the sink.

- Lay the sink (A) upside down on the countertop. Trace the outline of the sink edge with a fine point marker. The sink is flipped because the sink might not be 100% symmetric due to its rimless nature.



- Cut out the location for the sink. The sink hole should be approximately 1/16" larger all around to create a positive reveal. Use appropriate cutting tool for the surface you are cutting.

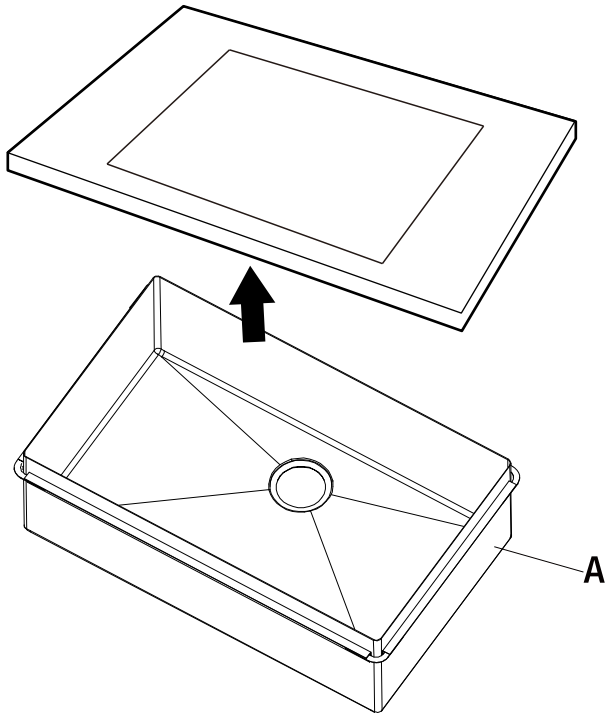


Warning: The rimless sink will be inserted into the countertop from underside through the sink hole preferably tight, therefore the cutting should be precise to 1/16in or less. Corners of rimless sink are more solid than the side which are flexible due to the rimless nature of the sink, extra precision is needed while cutting on corner line.

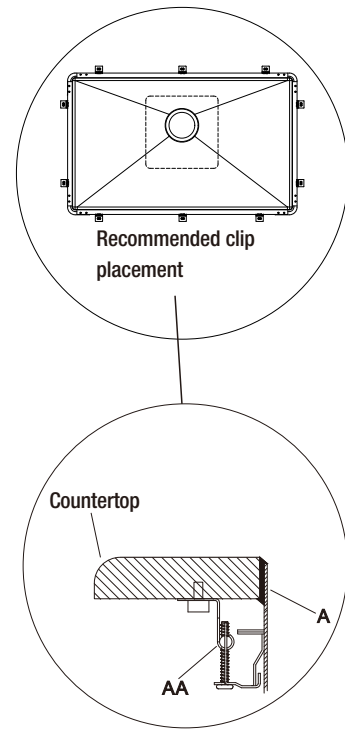
Installation

2 Preparing the sink

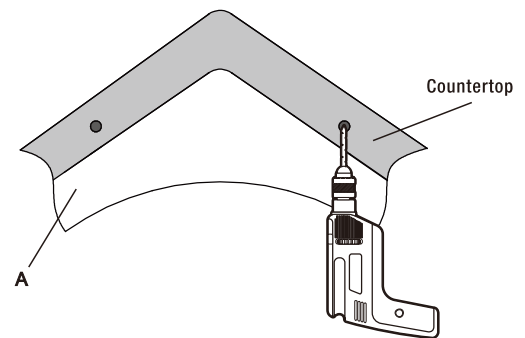
- Place the sink underneath the countertop cutout, and check if the cutout is fit for the sink. Adjust the cutout if necessary. Place a stand under the sink to facilitate installation avoid dropping.



- With the countertop inserted, place the mounting clips as recommended clip placement. Mark the centers of the clip on the countertop.



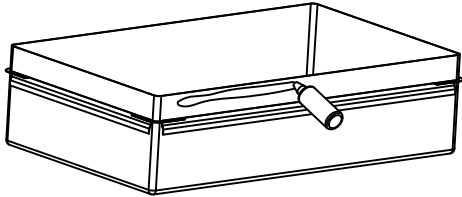
- Remove the sink, locate and drill the mounting holes, following the countertop manufacturer's instructions. Holes should allow even spacing of mounting brackets around the sink.



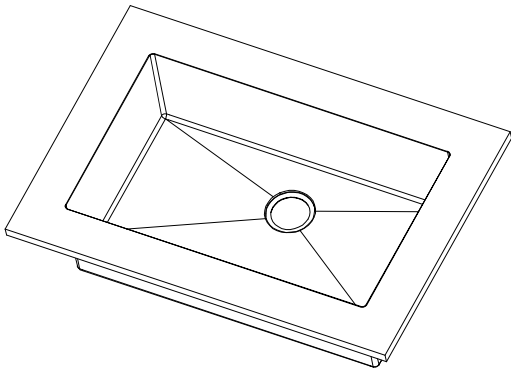
Installation

3 Installing the sink

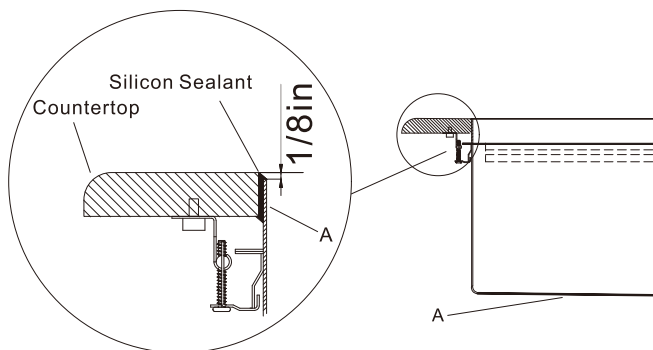
- Apply a bead of sealant around the perimeter on the top of the sink.



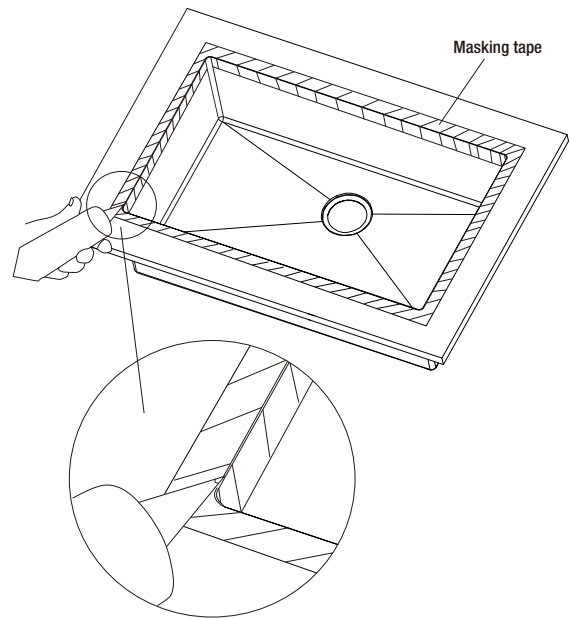
- Insert the sink into the sink hole. Grind the edges more as needed in order to fit the sink in place.



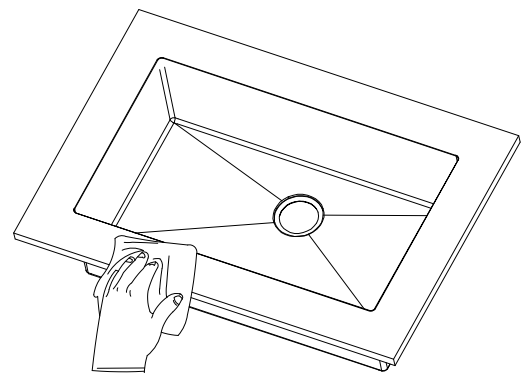
- Once the sink is in correct position, install the mounting clips, Tighten the mounting clips until the sink is aligned to the countertop. The stainless steel edge shall be approximately 1/8in lower than the countertop edge all along. The 1/8in drop is critical for the acrylic surface bonder to better stick onto the countertop edge.



- Cover the edge of the countertop and stainless steel wall with masking tape, apply the color-mixed acrylic surface bonder on the seam. Repeat process 2-3 times, forcing it into the joint using popsicle stick. After the acrylic sets, sand and polish the joint with orbital, drum or palm sander. Keep sanding evenly around the sink hole until the stainless steel edge line appears. Make a fine, micro bevel on the countertop.



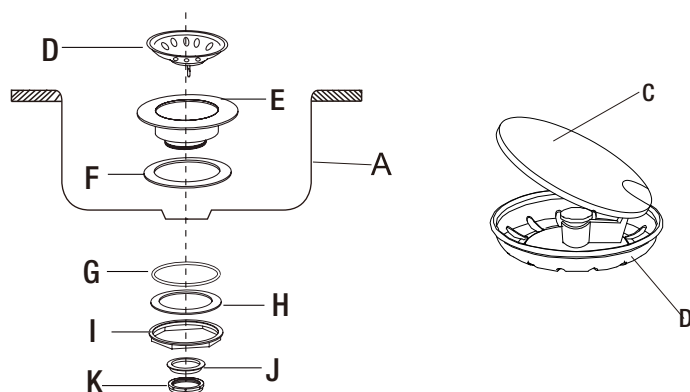
- Remove the masking tape. Scrap remaining acrylic on the countertop and stainless steel. Clean the edge if needed.



Installation

4 Installing the strainer

- Apply a small amount of plumbers putty (not included) in the notch around the drain hole of the sink (A) .
- Place the strainer ring (F) on top of the drain hole in the sink (A).
- Insert the screener(D) into the bowl(E) and place this assembly into the drain hole in the sink (A).
- From underneath the sink (A), place the rubber washer(G), paper washer(H), locknut(I) , plastic joint(J) , and connecting nut(K) over the drain hole in the sink (A).
- Tighten the locknut(I) and connecting nut (K) to hold the strainer assembly securely in place.
- Install the strainer cover(C) on the strainer ring (D).



Care and Cleaning

SINK

Your sink is manufactured with the highest grade stainless steel and will provide you many years of enjoyment with the proper care.

Do

- After use, always rinse your sink with tap water to dilute and remove deposits.
- Towel dry after use whenever possible to prevent water spots. Should water spots occur, clean with a mild solution of vinegar and water followed by a thorough rinse.
- Use liquid soap, a general household cleaner, or a weak solution of vinegar and water for regular cleaning.
- Only use plastic scouring pads recommended for use in stainless steel sinks, and only use them in the bowl of the sink. Scrub in the direction of the satin finish lines.

Do not

- Do not allow any food, detergent, soap or grease to dry or sit for extended periods of time on the surface of the sink.
- Never use abrasive cleaning products, as they will dull and scratch the finish.
- Do not use scouring pads on the deck, as they will dull the mirror finish.
- Never use steel wool pads, as they will leave iron particles on the sink, which will cause corrosion.
- Never leave steel or cast iron pans in your sink for extended periods of time, as this can cause corrosion.