

SMC (Sheet Molding Compound) Shower Wall Kits and Panels

PRODUCT WARNINGS

SAFETY GUIDELINES

KIT CONTENTS

REQUIRED TOOLS

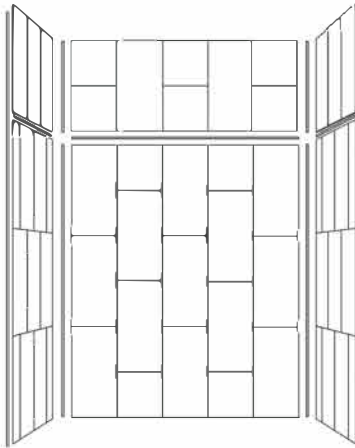
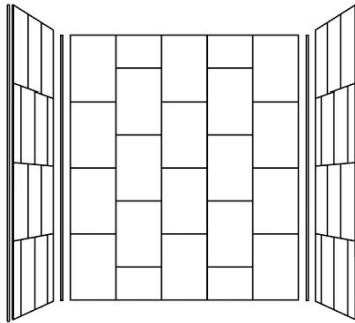
PREPARATION TIPS

INSTALLATION PROCEDURE

CLEANING & MAINTENANCE

SURFACE REPAIR

WARRANTY INFORMATION



READ AND UNDERSTAND BEFORE INSTALLING

INSTALLATION MANUAL INDEX / INDEX DU MANUEL D'INSTALLATION

INTRODUCTION	INTRODUCTION
Before starting the installation 02	Avant de commencer l'installation 02
Required tools & materials 02	Outils & matériaux requis 02
Parts list 03	Liste de pièces 03
 INSTALLATION	 INSTALLATION
Inspect wall supports 03	Inspecter les supports muraux 03
Install water-resistant drywall 04	Installer le gypse 04
Measure needed dimensions 04	Mesurer les dimensions requises 04
Cut the panels & trim pieces 05	Couper les panneaux & extrusions 05
Prepare for assembly 05	Préparer pour l'assemblage 05
Assemble the trim pieces 06	Assembler les joints 06
Back panel installation 06	Installer le panneau du fond 06
Return panel installation 07	Installer le panneau de retour 07
Caulking 07	Calfeutrage 07
 WARRANTY 08	 GARANTIES 08

BEFORE STARTING THE INSTALLATION / AVANT DE COMMENCER L'INSTALLATION

This manual covers the installation and maintenance of your new products. Read it through once before proceeding to the installation

Consult your local building code to ensure that the installation complies with the standards of your area.

Carefully inspect the products upon arrival to make sure that there's no damage or missing pieces. If you find a defect, contact your distributor. If damage has occurred during transport, contact your carrier.

Care must be taken to protect the surface during handling and installation. A protective film is installed on the product, remove it only when completely done with the installation of the shower or when told to in the instructions.

Before proceeding with any piping work, make sure to mandate a certified professional in building technique from your province or state.

If the panel is curved, lay it down on the floor and apply pressure over some time to make sure to remove the curvature and install it completely flat on the wall.

Ce manuel couvre l'installation et la maintenance de vos nouveaux produits. Lisez-le une fois avant de procéder à l'installation

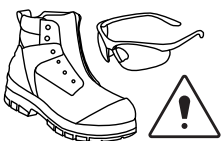
Consultez votre code du bâtiment local pour vous assurer que l'installation est conforme aux normes de votre région.

Inspectez soigneusement les produits à leur arrivée pour vous assurer qu'il n'y a pas de dommages ou de pièces manquantes. Si vous constatez un défaut, contactez votre distributeur. Si des dommages sont survenus pendant le transport, contactez votre transporteur.

Des précautions doivent être prises pour protéger la surface pendant la manipulation et l'installation. Un film protecteur est installé sur le produit, retirez-le uniquement lorsque l'installation de la douche est complètement terminée ou lorsque cela est indiqué dans les instructions.

Avant de procéder à des travaux de tuyauterie, assurez-vous de mandater un professionnel en technique de construction de votre province ou état.

REQUIRED TOOLS & MATERIALS / OUTILS ET MATÉRIAUX REQUIS



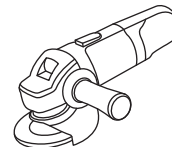
SAFETY EQUIPMENT
ÉQUIPEMENT DE SÉCURITÉ



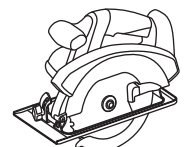
EXTRA CLEAR SILICONE
SILICONE EXTRA CLAIR



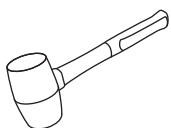
CONSTRUCTION ADHESIVE
ADHÉSIF DE CONSTRUCTION



GRINDER
MEULEUSE



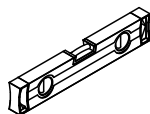
CHOICE OF SAW (see step 4)
SCIE AU CHOIX (voir étape 4)



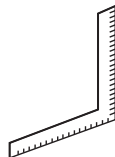
RUBBER Mallet
MAILLET EN CAOUTCHOUC



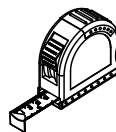
PENCIL
CRAYON



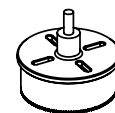
LEVEL
NIVEAU



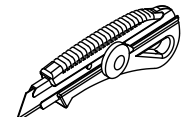
SQUARE
ÉQUERRE



MEASURING TAPE
RUBAN À MESURER

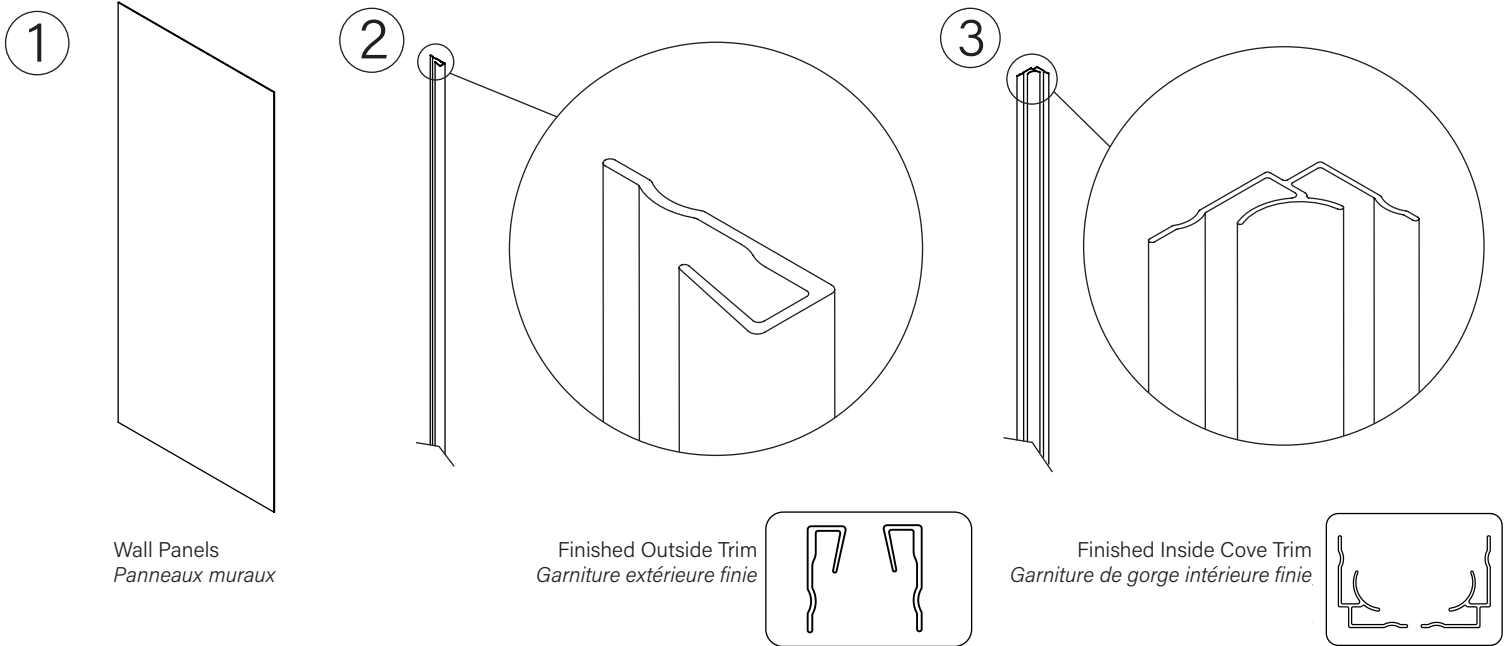


HOLESAW
EMPORTE-PIÈCE



UTILITY KNIFE
COUTEAU À LAME
RÉTRACTABLE

PART LIST / LISTE DE PIÈCES



Wall Panels
Panneaux muraux

Finished Outside Trim
Garniture extérieure finie

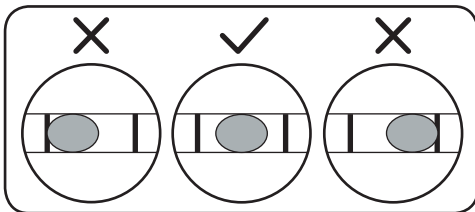
Finished Inside Cove Trim
Garniture de gorge intérieure finie

DESCRIPTION	
1	WALL PANELS - (1) Back Wall Panel (2) Return Panels
2	TRIM PIECES - (2) Finished Outside Trim Pieces
3	TRIM PIECES - (2) Finished Inside Cove Trim Pieces

1 INSPECT WALL SUPPORTS / INSPECTER LES SUPPORTS MURAUX

Make sure that the wall support is level. Correct if needed.
S'assurer que le support mural est de niveau. Corriger si nécessaire.

Check me!
Coché moi!

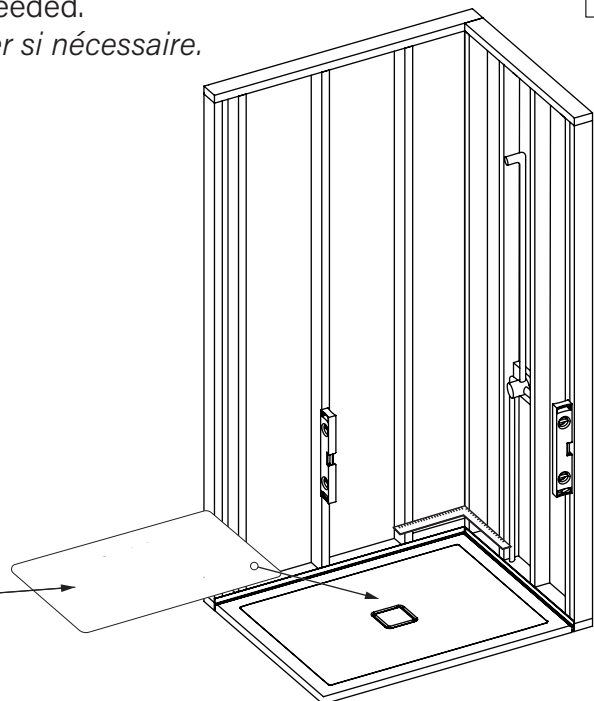


Base and shower system installation have to be done before proceeding to the wall installation.



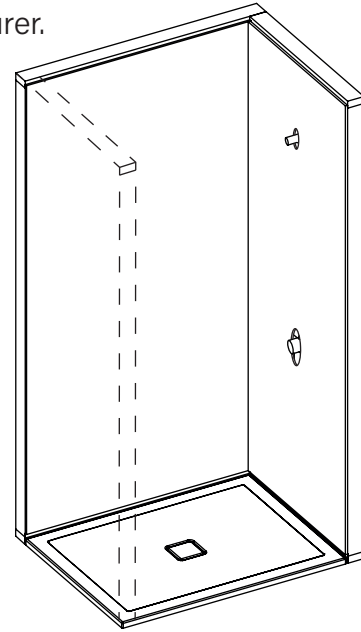
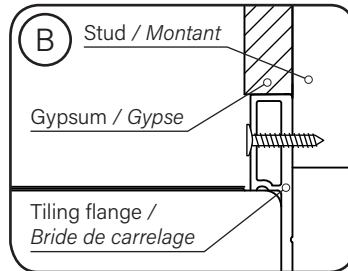
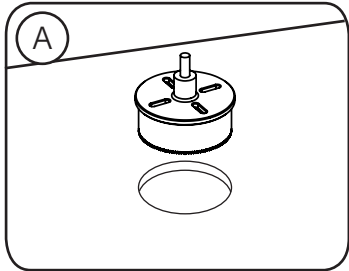
L'installation de la base et du système de douche doivent être faite avant de commencer l'installation des murs.

Protect the base with cardboard.
Protégez la base avec du carto.



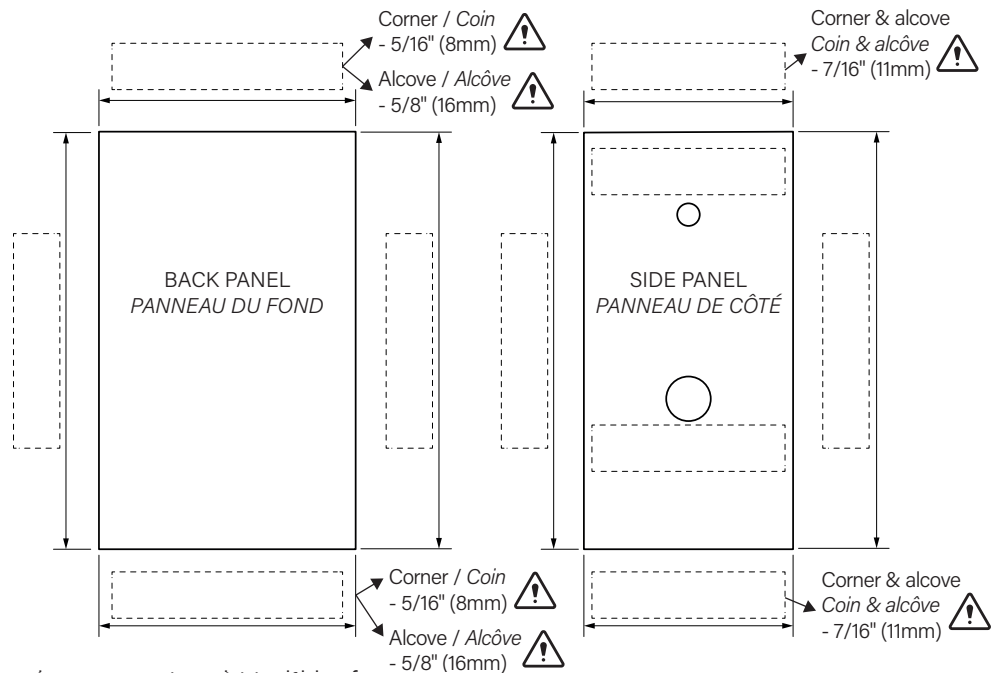
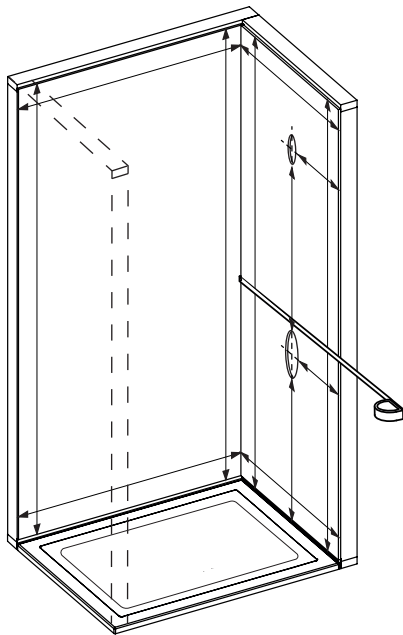
2 INSTALL WATER-RESISTANT DRYWALL/ INSTALLER UNE CLOISON SÈCHE RÉSISTANT À L'EAU

- (A) Drill the holes for the shower fittings according to the manufacturer.
Perçer les trous pour la robinetterie selon le fabricant.
- (B) Install 5/8" water-resistant drywall.
Installez une cloison sèche de 16 mm résistante à l'eau.



3 MEASURE NEEDED DIMENSIONS / MESURER LES DIMENSIONS REQUISES

Measure the dimensions needed to cut the panels.
Mesurez les dimensions nécessaires pour couper les panneaux.



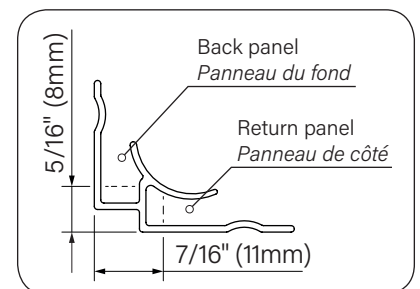
Before cutting any panels, subtract the corner trim width of 11mm on the return panel and 8mm on the back panel to fit flush.

Avant de couper, soustraire les largeurs des extrusions de coin de 11mm sur le panneau de retour et 8mm sur le panneau de fond pour arriver juste.




If the installation of niche is needed, consult the niche installation manual now before cutting.

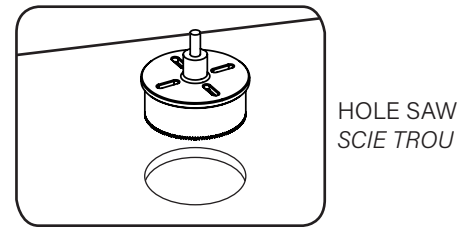
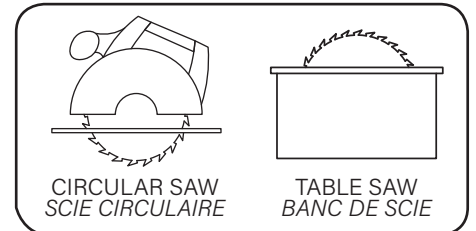
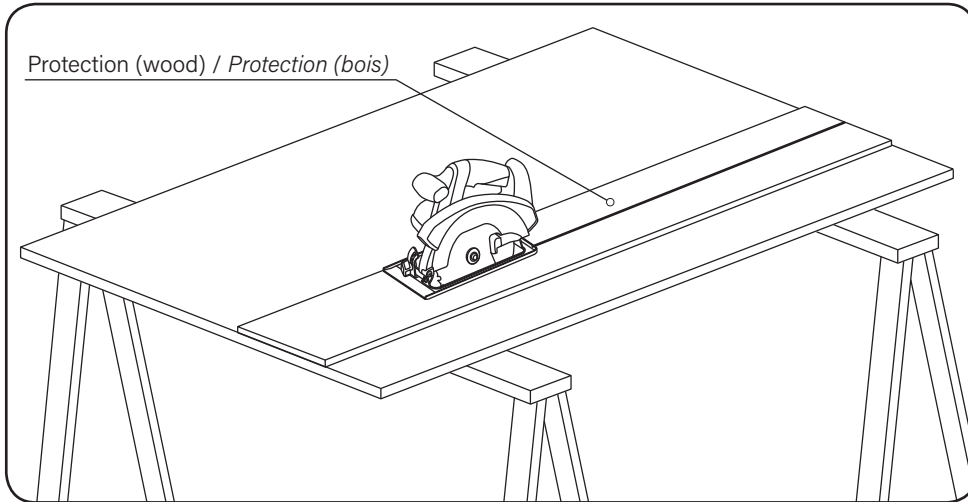
Si l'installation de niche est nécessaire, consulter le manuel d'installation de niche maintenant avant de couper.



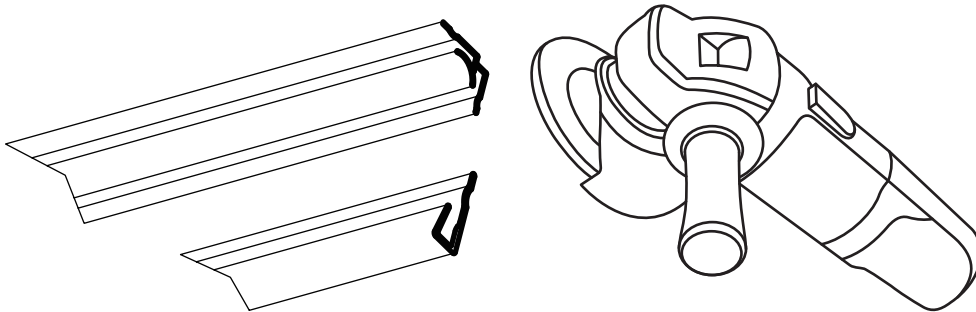
4 CUT THE PANELS & EXTRUSIONS / COUPER LES PANNEAUX & EXTRUSIONS

- A** Cut and drill the panels. Please put the finish surface on the right side.
Couper et trouser les panneaux de pierre. Mettre la surface finie du bon côté.

 The saw teeth should touch the finish side first. It is recommended to protect the surfaces from it with a wooden plank.
Les dents de la lame de scie devraient toucher au côté fini en premier. Il est recommandé de protéger la surface avec une planche de bois.



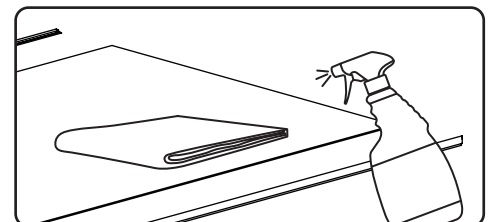
- B** Cut the inside cove and end trim pieces to fit the panels height.
Couper les moulures intérieures et d'extrémité pour s'adapter à la hauteur des panneaux.



5 PREPARE ASSEMBLY / PRÉPARER L'ASSEMBLAGE

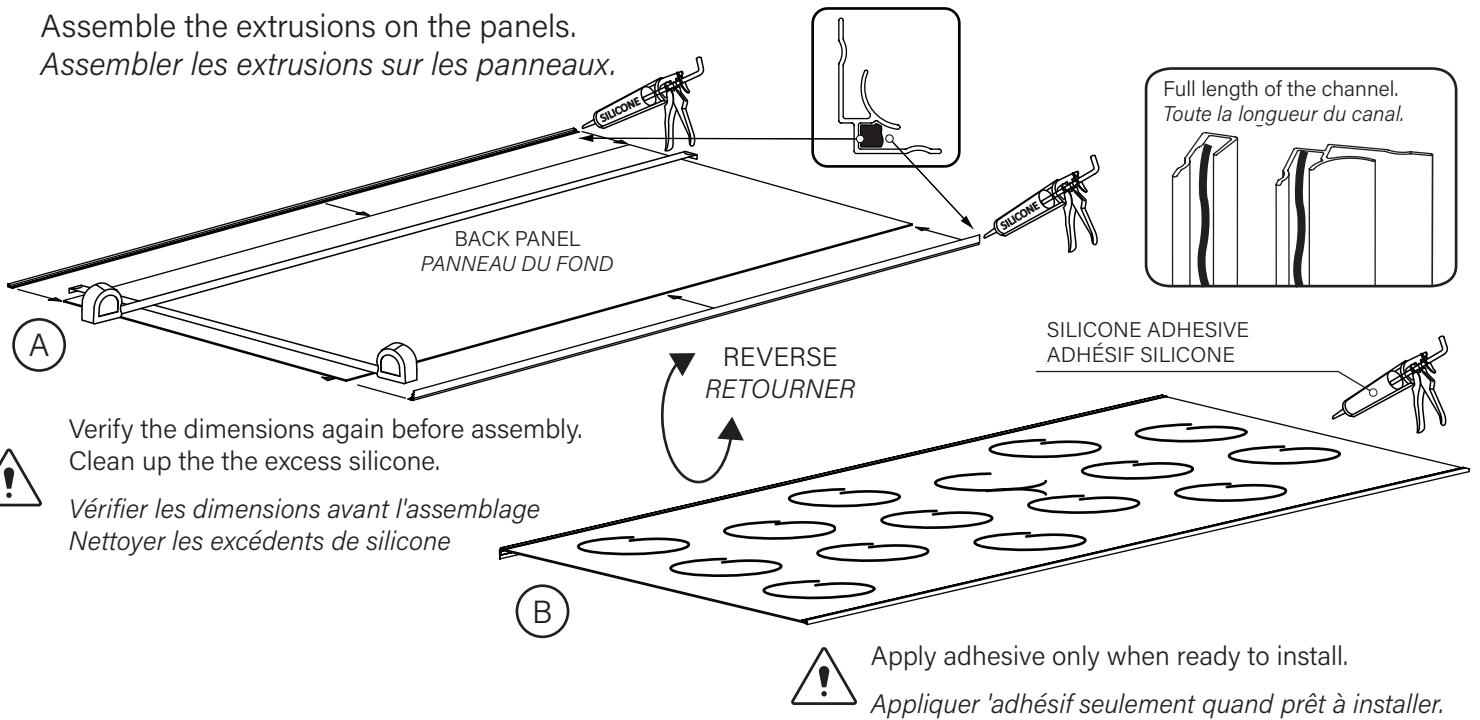
Clean the panels and trim pieces to make sure that the silicone and the adhesive application will work correctly.

Nettoyez les panneaux et les garnitures pour vous assurer que silicone et l'application d'adhésif fonctionnera correctement.



6 ASSEMBLE THE TRIM PIECES/ ASSEMBLER LES PIÈCES DE GARNITURE

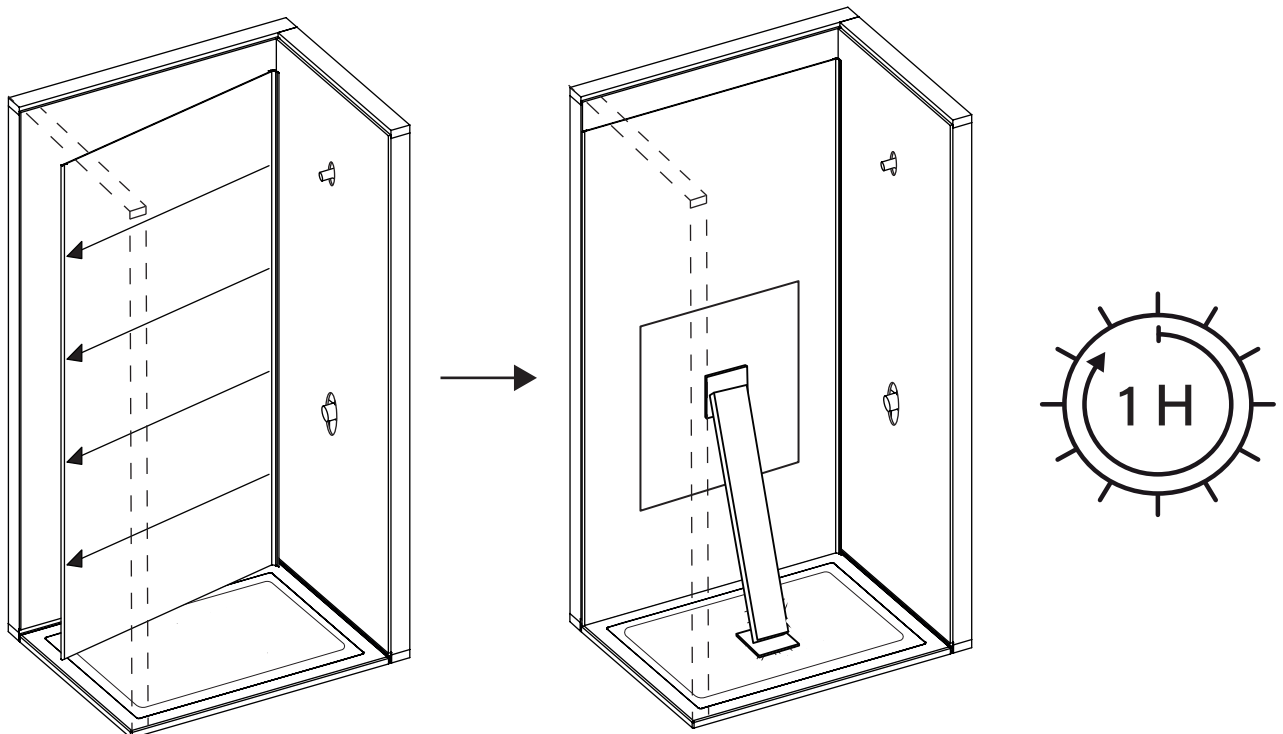
Assemble the extrusions on the panels.
Assembler les extrusions sur les panneaux.



7 BACK PANEL INSTALLATION / INSTALLATION DU PANNEAU DU FOND

Place the panel in the corner of the shower, then push it on the wall from the corner to the outside of the shower. Clean the excesses of adhesive.

Placer le panneau du fond dans le coin, puis appuyer vers le mur du coin jusqu'à l'extérieur de la douche. Nettoyer les excédents d'adhésif.



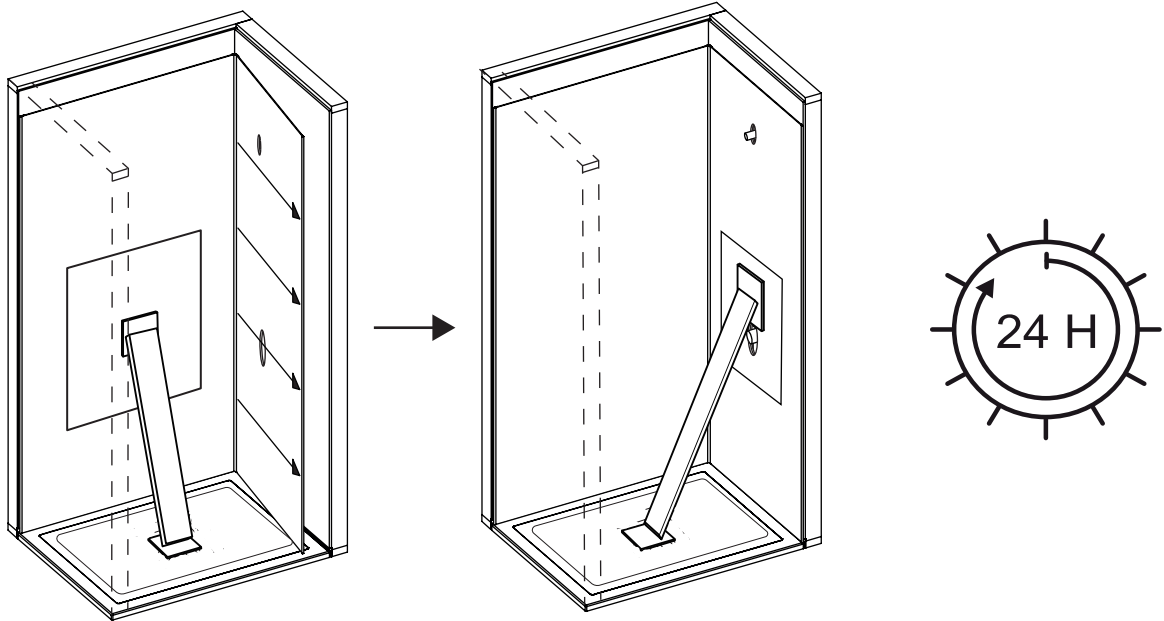
Create a support to apply pressure to wall panel to maintain pressure and allow silicone to cure.

Créer un support pour appliquer une pression sur le panneau mural afin de maintenir la pression et permettre au silicone de durcir.

8 RETURN PANEL INSTALLATION / INSTALLATION DU PANNEAU DE RETOUR

Apply silicone in channel of corner trim piece. Place return wall panel into the corner trim channel and push panel to wall from the corner to the outside of the shower and remove any excess adhesive.

Appliquez du silicone dans le canal de la pièce de garniture d'angle. Placez le panneau mural de retour dans le canal de garniture d'angle et poussez le panneau contre le mur du coin vers l'extérieur de la douche et retirez tout excès d'adhésif.



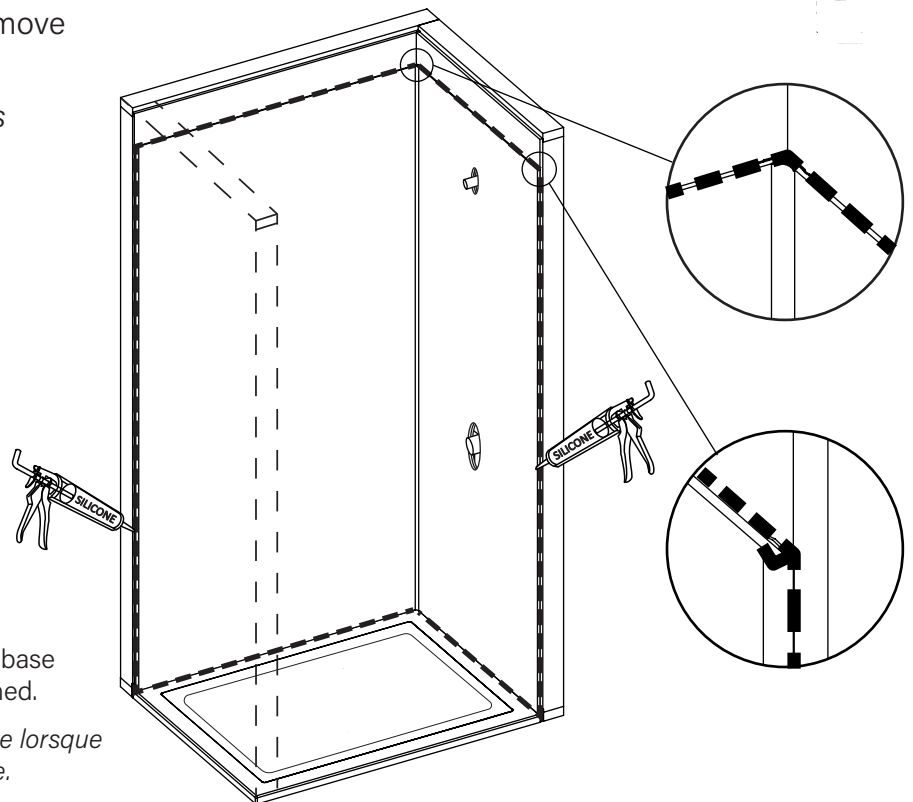
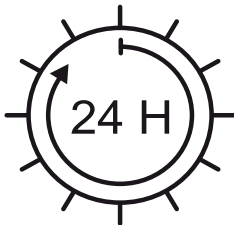
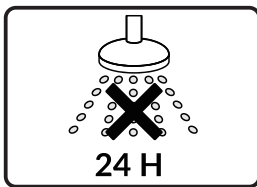
Repeat this step on the opposite wall for the alcove configuration, then wait the 24H cure time.
Répéter cette étape sur le mur opposé pour la configuration en alcôve, puis attendre le 24H de traitement.

9

CAULKING / CALFREUTAGE

Apply silicone to all seams and remove any excess.

Appliquez du silicone sur toutes les coutures et enlevez tout excédent.



Remove the cardboard from shower base when the shower is completely finished.
Retirez le carton de la base de douche lorsque la douche est complètement terminée.

WARRANTY

Sheet Molding Compound Shower and Tub Walls, Shower Bases - 5 Years Ltd. Residential / 3 Years Ltd. Commercial

We expressly warrant that products as listed above to be free of defects in material and workmanship, subject to the limitations set forth in this Limited Warranty. Each product will function for the purpose for which it was designed for the time period designated above from the date of purchase to the original buyer, provided it has been installed in accordance with the installation instructions provided and used as recommended, and not damaged due to excessive heat or abuse.

This warranty does not cover replacements and/or corrections caused by misuse, improper maintenance or normal wear and tear, acts of nature, scratches, chips or damage caused by failure of any adhesive, caulk or other accessory, or failure of any caulked or filled joint or seam. This Limited Warranty covers the product for normal interior use in the United States, Mexico and Canada and does not cover the product moved from its original place of installation. Labor charges incurred during any installations are not included under this Limited Warranty.

We will, at our option, repair, replace, or refund the purchase price of the product to the original purchaser if a product fails due to a manufacturing defect, which is discovered during the warranted years as listed above after the initial purchase. Replacements and/or corrections are at our sole discretion and will be limited in scope to reasonable and equitable remedy. This Limited Warranty applies to these products that are purchased after January 1, 2011 and maintained as described by care and maintenance guide. You may obtain coverage by providing proof of the date of initial purchase. For service under this Limited Warranty, you must notify us in writing, providing your name and address, a description of the product involved, the nature of the defect or failure, and proof of purchase and date of purchase. Repair or replacement shall not include any labor charges. This limited warranty is non-transferable.

The address to which warranty problems should be reported is:
P.O. Box 30
Warren, OH 44482-0030

We will ship (freight collect) to you products repaired or replaced under this Warranty.

Residential Limited Warranty

The warranty applies only to the original purchaser and installation of these products in residential applications. It does not apply to commercial applications.

Commercial Limited Warranty

The warranty applies only to the original purchaser and installation of these products in commercial applications.

THIS LIMITED WARRANTY IS IN LIEU OF ALL OTHER WARRANTIES, AND EXPRESSLY DISCLAIMS ALL OTHER WARRANTIES, EXPRESS OR IMPLIED, INCLUDING WITHOUT LIMITATION ANY IMPLIED WARRANTY OF MERCHANTABILITY OR FITNESS FOR A PARTICULAR PURPOSE. THIS LIMITED WARRANTY SETS FORTH THE PURCHASER'S SOLE REMEDY IN CONNECTION WITH THE SALE OR USE OF PRODUCTS COVERED BY THIS LIMITED WARRANTY AND IN NO EVENT SHALL WE, THE SELLER, BE OTHERWISE LIABLE FOR ANY LOSS, DAMAGE OR INJURY OF ANY NATURE ARISING OUT OF THE SALE OR USE OF THE PRODUCTS DELIVERED HEREUNDER, WHETHER FOR NEGLIGENCE, BREACH OF CONTRACT OR UNDER ANY OTHER LEGAL OR EQUITABLE THEORY. WE, THE SELLER, SHALL NOT BE LIABLE FOR ANY INDIRECT, SPECIAL OR CONSEQUENTIAL DAMAGES ARISING OUT OF THE SALE OR USE OF SUCH PRODUCTS, INCLUDING BUT NOT LIMITED TO LOST PROFITS, REVENUES, ANTICIPATED SALES, BUSINESS OPPORTUNITIES OR FOR INTERRUPTION OF BUSINESS*. THIS WARRANTY IS NON-TRANSFERABLE.

*Some states do not allow the exclusion or limitation of incidental or consequential damages, so the above limitation or exclusion may not apply to you. This warranty gives you specific legal rights, and you may also have other rights which may vary from state to state.

Note: This warranty does not include items identified as 'wear items' that can be purchased. If you require replacement of a 'wear item', please contact us.

P.O. Box 30
Warren, OH 44482-0030

(800) 632-6322
Fax (330) 399-4426