

WALLLANTERN

Assembly Instructions

MODEL#:40382



CAUTION

•Inspect the wire insulation for any cuts, abrasions, or exposed copper that may have resulted during shipping. If there is a defect in the wire, do not attempt installation.

•Before starting installation of this fixture or removal of a previous fixture, disconnect the power by turning off the circuit breaker or by removing the fuse at the fuse box.

TOOLS REQUIRED



Ladder



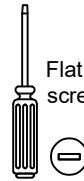
Safety glasses



Electrical tape



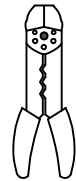
Phillips screwdriver



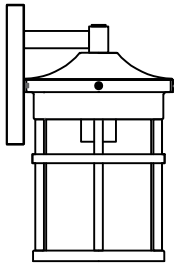
Flat blade screwdriver



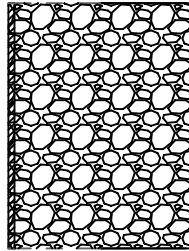
Pliers



Wire strippers



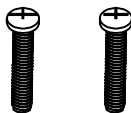
Fixture



Glass cover



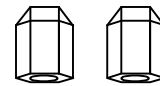
Mounting Unit



Mounting Screws



Wire Nuts



Cap Nuts

*PARTS SHOWN MAY DIFFER SLIGHTLY PER LIGHT FIXTURE

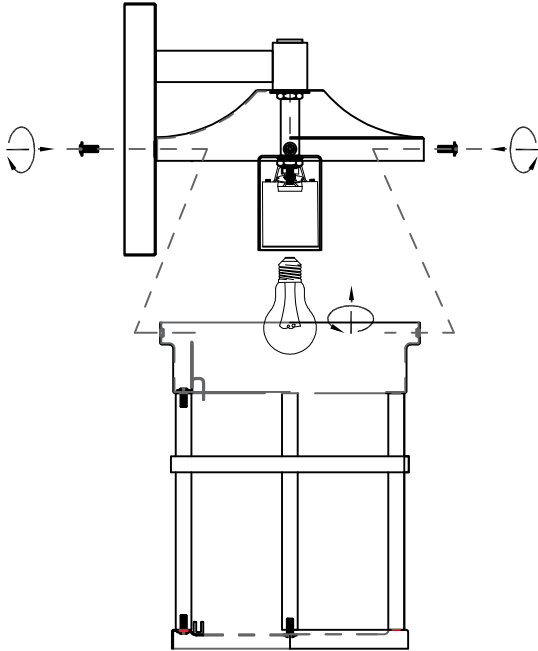
WALLLANTERN

Assembly Instructions

MODEL#:40382

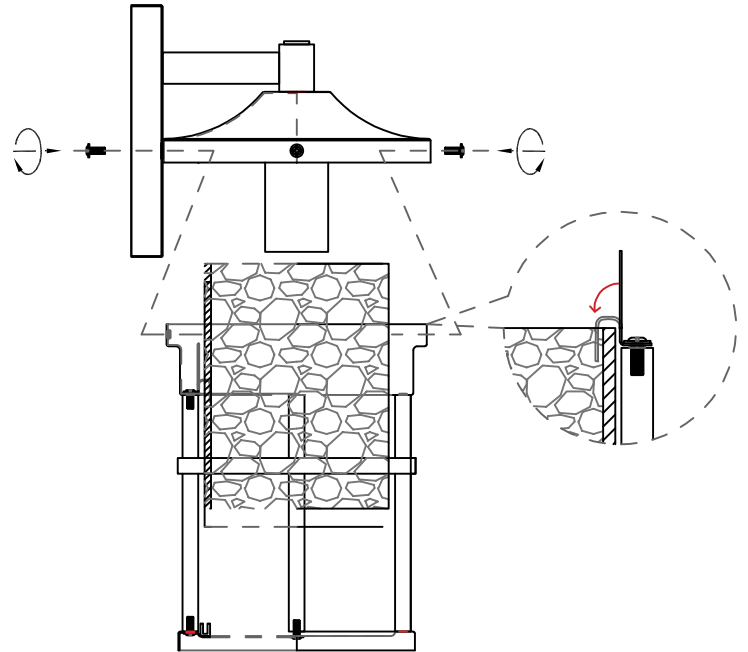
STEP 1

Install bulb(Not Included)
E26 TYPE A 60W



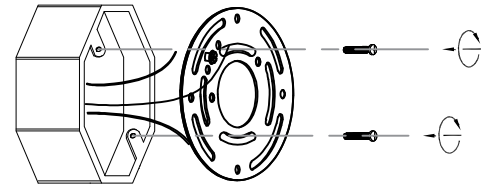
STEP 2

Install the fixture top and Glass cover
onto fixture by Ball nuts



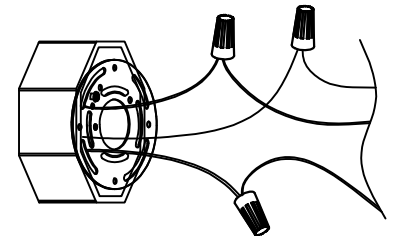
STEP 3

Use the mounting screws to attach the mounting
unit to the junction box



STEP 4

Make the electrical connection from the junction box to the
fixture. Connect the ground wire to the mounting unit using the
preinstalled green ground screw. Then, connect the positive,
negative and ground wires with the supplied wire nuts. Secure
with electrical tape



Connect Clear, Brown, Gold or
Black Parallel Wire without tracer
(round & smooth) or Black Fixture
Wire to:

Connect Clear, Brown, Gold or
Black *Parallel Wire with tracer
(square & ridged) or White Fixture
Wire to:

Black or Red Supply Wire or
Insulated Wire (other than green)
with copper conductor.

White Supply Wire or Insulated
Wire (other than green) with silver
conductor

