

PERFORMANCE · QUALITY · CUSTOMER SERVICE

INDUSTRY LEADING PERFORMANCE

- 1200 CFM internal blower in 36", 42", and 48" models
- 3-speed blower control to select performance level
- Optional in-line blower delivers 1266 CFM

OPTIMAL SMOKE CAPTURE AREA

- Full grill coverage of 32" front to back
- 10" tall for increased capture area
- Double bank of S/S baffle filters for better capture

EASE OF OPERATION

- 3-speed blower control (internal blower models)
- Variable blower control (in-line/remote models)
- Dimmable 50-watt halogen lights
- Slip-resistant control knobs

DISTINCTIVE DESIGN

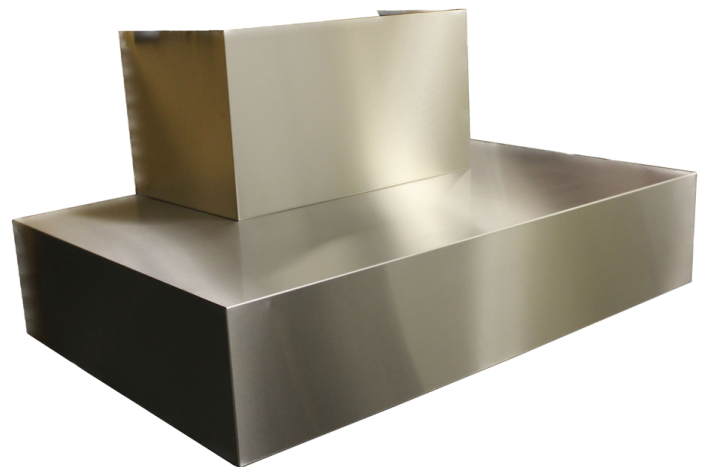
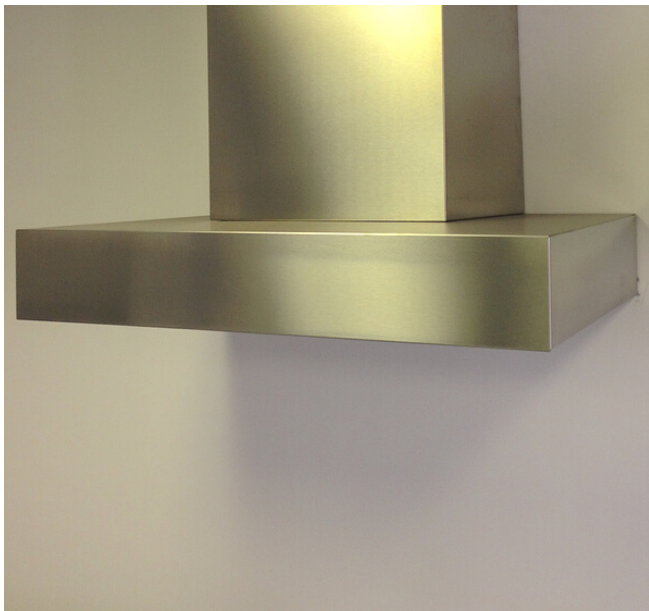
- Contemporary design with telescopic duct cover to 10' ceiling included
- Optional telescopic 12' ceiling duct cover

EASY CLEANING

- Dishwasher-safe commercial-style baffle filters with 2 easy-grip handles
- Detergent inlet holes and grease exit holes in baffle filters for superior dishwasher cleaning

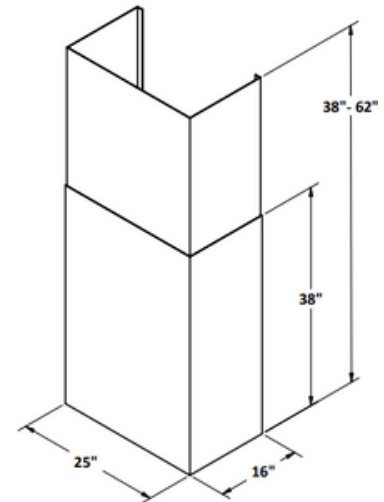
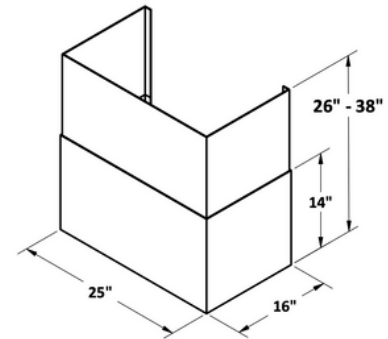
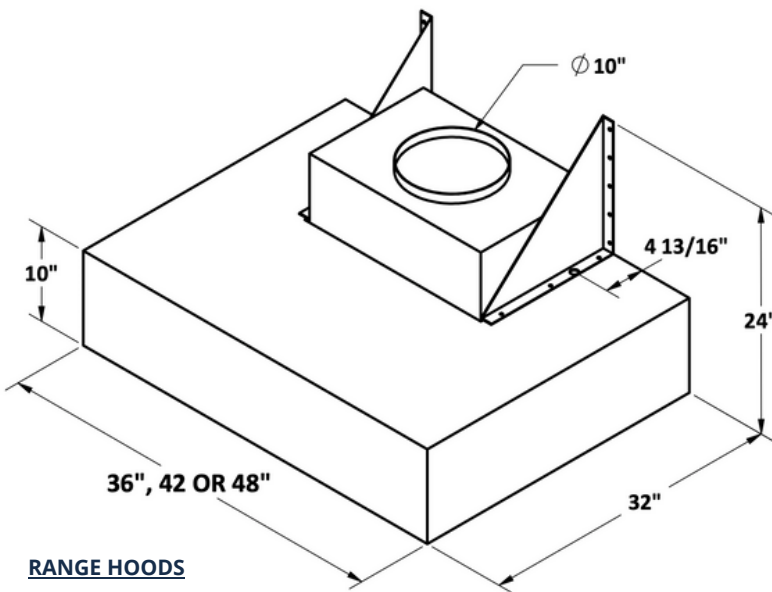
ENDURING QUALITY

- Commercial grade stainless steel (#304 grade) and galvanized steel construction



MODEL	FRONT TO BACK	WIDTH	COLOR	CFM	3-SPEED INTERNAL BLOWER	IN-LINE OR REMOTE BLOWER	HALOGEN LIGHTS	S/S BAFFLE FILTERS	DUCT COLLAR	DIMMABLE LIGHT CONTROL
T7236	32"	36"	S/S			✓	2	✓	10"	✓
T7236-12	32"	36"	S/S	1200	✓		2	✓	10"	✓
*T7236-12EXT	32"	36"	S/S	1200	✓		2	✓	10"	✓
T7242	32"	42"	S/S			✓	2	✓	10"	✓
T7242-12	32"	42"	S/S	1200	✓		2	✓	10"	✓
*T7242-12EXT	32"	42"	S/S	1200	✓		2	✓	10"	✓
T7248	32"	48"	S/S			✓	3	✓	10"	✓
T7248-12	32"	48"	S/S	1200	✓		3	✓	10"	✓
*T7248-12EXT	32"	48"	S/S	1200	✓		3	✓	10"	✓

*EXT MODELS COME WITH TELESCOPIC DUCT COVER TO 12' CEILING



800 WEST GRANT STREET
PHOENIX, AZ 85007
1-800-955-5737
602-900-8500
T - W U S A . C O M



TRADE-WIND Manufacturing, LLC has a policy of continuous improvements and reserves the right to modify (at any time without notice) any or all of its products, features, designs, components and specifications. For further information on installation and wiring, see the installation instructions included with the product or visit us on the web.

© 2023 TRADE-WIND MANUFACTURING, LLC