

PERFORMANCE · QUALITY · CUSTOMER SERVICE

INDUSTRY LEADING PERFORMANCE

- 1200 CFM internal blower in 48" model
- 2300 CFM internal blower in 60" model
- Optional in-line blower delivers 1266 CFM

OPTIMAL SMOKE CAPTURE AREA

- Full grill coverage of 32" front to back
- 24" tall for increased capture area
- Double bank of S/S baffle filters for better capture

EASE OF OPERATION

- 3-speed blower control (internal blower models)
- Variable blower control (in-line/remote models)
- Dimmable 50-watt halogen lights
- Slip-resistant control knobs

DISTINCTIVE DESIGN

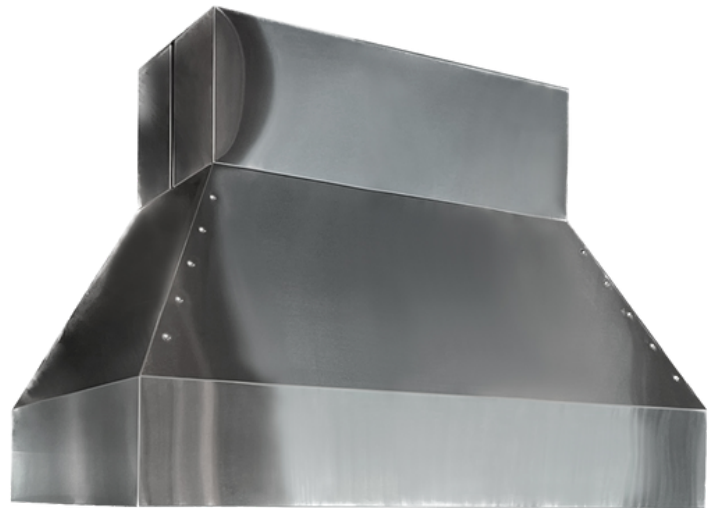
- Pyramid hood shape with duct cover to 10' ceiling included
- Duct cover telescopes for perfect height over grill

EASY CLEANING

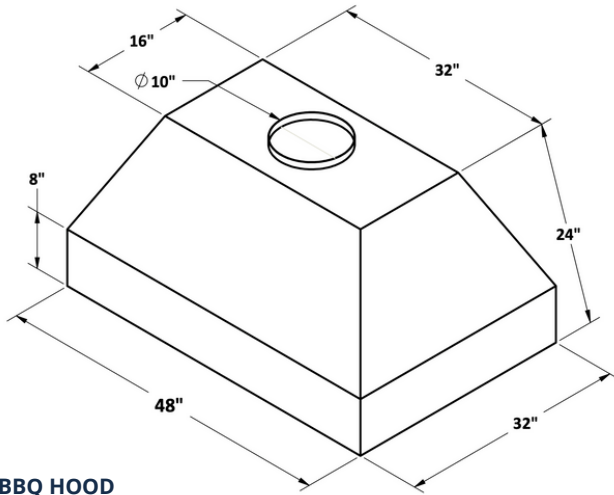
- Dishwasher-safe commercial-style baffle filters with 2 easy-grip handles
- Detergent inlet holes and grease exit holes in baffle filters for superior dishwasher cleaning

ENDURING QUALITY

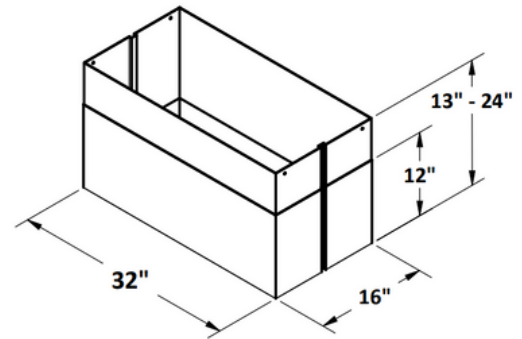
- Commercial grade stainless steel (#304 grade) and galvanized steel construction



MODEL	FRONT TO BACK	WIDTH	COLOR	CFM	3-SPEED INTERNAL BLOWER	IN-LINE OR REMOTE BLOWER	HALOGEN LIGHTS	S/S BAFFLE FLITERS	DUCT COLLAR	DIMMABLE LIGHT CONTROL
P7248ISL	32"	48"	S/S			✓	3	✓	10"	✓
P7248-12ISL	32"	48"	S/S	1200	✓		3	✓	10"	✓
P7260ISL	32"	60"	S/S			✓	4	✓	2 X 10"	✓
P7260-23ISL	32"	60"	S/S	2300	✓		4	✓	2 X 10"	✓

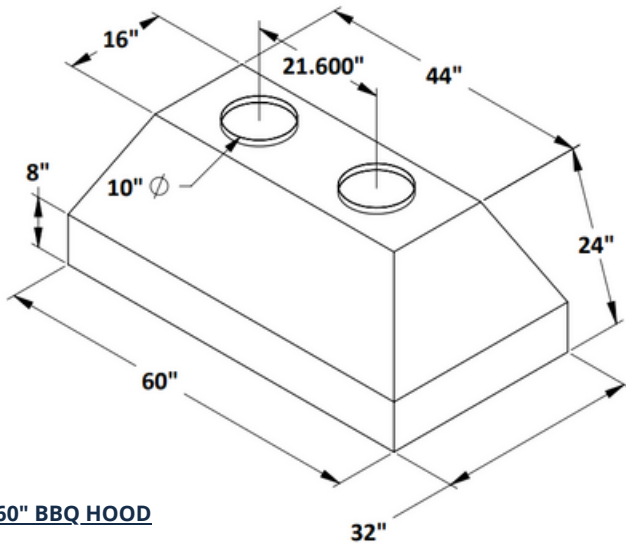


48" BBQ HOOD

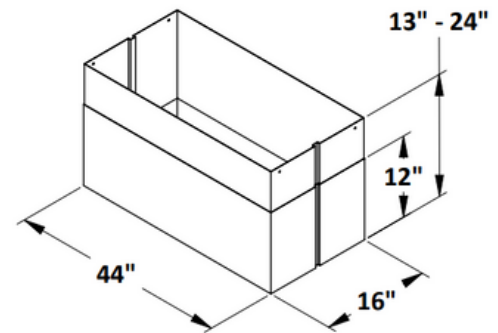


DUCT COVER

*Included for ceilings up to 10'



60" BBQ HOOD



DUCT COVER

*Included for ceilings up to 10'

IMPORTANT: For ceilings higher than 10', a "chase" or soffit must be constructed prior to hood installation, in order to secure the included duct cover.



800 WEST GRANT STREET
PHOENIX, AZ 85007
1-800-955-5737
602-900-8500
T-WUSA.COM



TRADE-WIND Manufacturing, LLC has a policy of continuous improvements and reserves the right to modify (at any time without notice) any or all of its products, features, designs, components and specifications. For further information on installation and wiring, see the installation instructions included with the product or visit us on the web.

© 2023 TRADE-WIND MANUFACTURING, LLC