

PERFORMANCE · QUALITY · CUSTOMER SERVICE

QUIET OPERATION

- Large 3-speed blower operates at lower RPM reducing the sound level

EASE OF OPERATION

- Remote control included with purchase
- Optional automatic 5 minute shut off timer
- Electronic touch controls with blue LED lighting

EASY CLEANING

- Dishwasher-safe commercial-style baffle filters with 2 easy-grip handles
- Detergent inlet holes and grease exit holes in baffle filters for superior dishwasher cleaning

SIMPLE INSTALLATION

- Includes simple wall mount brackets
- Wiring diagram label for simple electrical connection
- Under cabinet mount option (as shown)

DISTINCTIVE LOW-PROFILE DESIGN

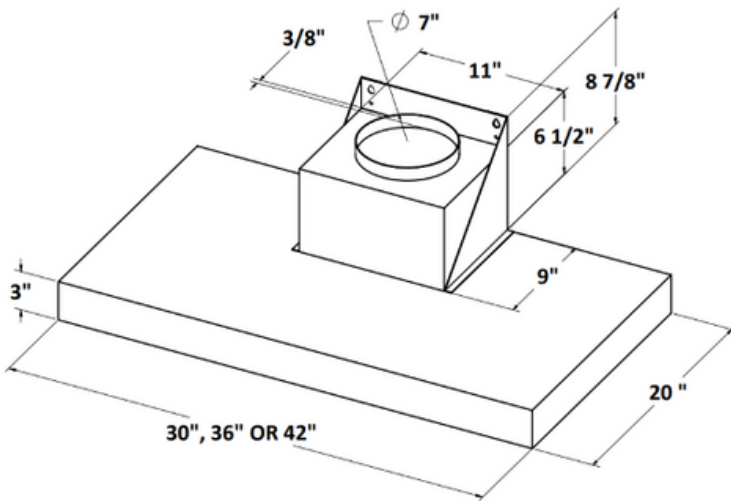
- Contemporary low-profile design with telescopic 10' ceiling duct cover included
- Optional telescopic 12' ceiling duct cover

ENDURING QUALITY

- Commercial grade stainless steel (#304 grade) and galvanized steel construction
- LED lights brighten cooking area
- CFM and sound tested by Energy Systems Laboratory at Texas A&M University

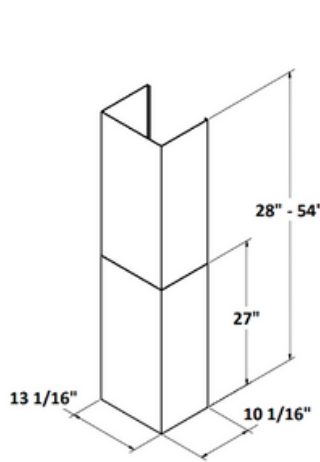


| MODEL | FRONT TO BACK | WIDTH | COLOR | 3-SPEED INTERNAL BLOWER | CFM | LED LIGHTS | S/S BAFFLE FILTERS | REMOTE CONTROL | DUCT COLLAR | ELECTRONIC TOUCH CONTROL |
|---------|---------------|-------|-------|-------------------------|-----|------------|--------------------|----------------|-------------|--------------------------|
| 30303RC | 20" | 30" | S/S | ✓ | 390 | 2 | ✓ | ✓ | 7" | ✓ |
| 30363RC | 20" | 36" | S/S | ✓ | 390 | 2 | ✓ | ✓ | 7" | ✓ |
| 30366RC | 20" | 36" | S/S | ✓ | 600 | 2 | ✓ | ✓ | 8" | ✓ |
| 30423RC | 20" | 42" | S/S | ✓ | 390 | 2 | ✓ | ✓ | 7" | ✓ |
| 30426RC | 20" | 42" | S/S | ✓ | 600 | 2 | ✓ | ✓ | 8" | ✓ |
| 30486RC | 20" | 48" | S/S | ✓ | 600 | 3 | ✓ | ✓ | 8" | ✓ |



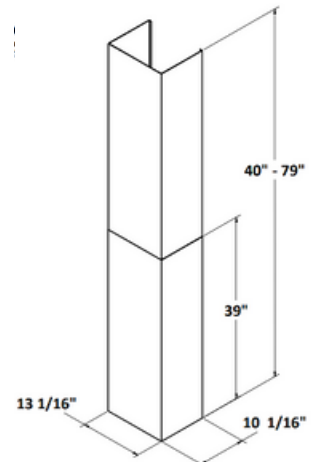
390 CFM MODELS

OPTIONAL DUCTLESS CONVERSION KIT MODEL#: 5BL-33-300-DCK1



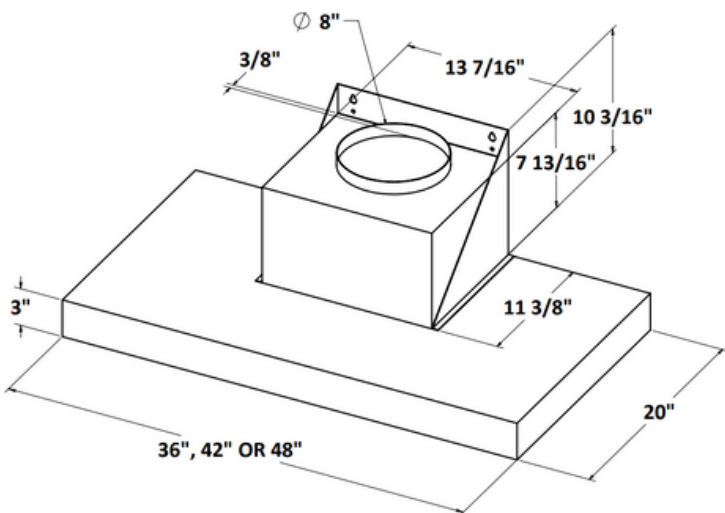
DUCT COVER

*Included for ceilings 8' to 10'

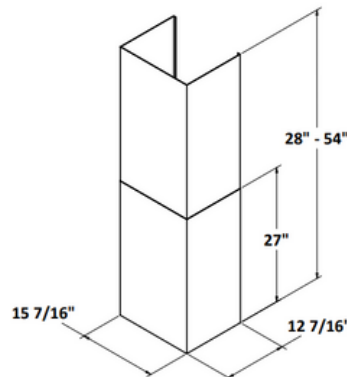


DUCT COVER: MODEL #: DC3000-12

*Sold separately for ceilings 10' to 12'

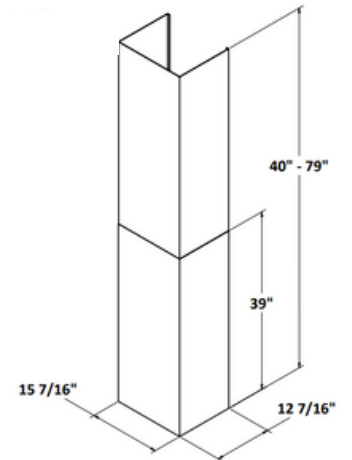


600 CFM MODELS



DUCT COVER

*Included for ceilings 8' to 10'



DUCT COVER: MODEL #: DC3000-6-12

*Sold separately for ceilings 10' to 12'

For more information, please contact your dealer or your TRADE-WIND® representative.



800 WEST GRANT STREET
PHOENIX, AZ 85007
1-800-955-5737
602-900-8500
T - W U S A . C O M



TRADE-WIND Manufacturing, LLC has a policy of continuous improvements and reserves the right to modify (at any time without notice) any or all of its products, features, designs, components and specifications. For further information on installation and wiring, see the installation instructions included with the product or visit us on the web.