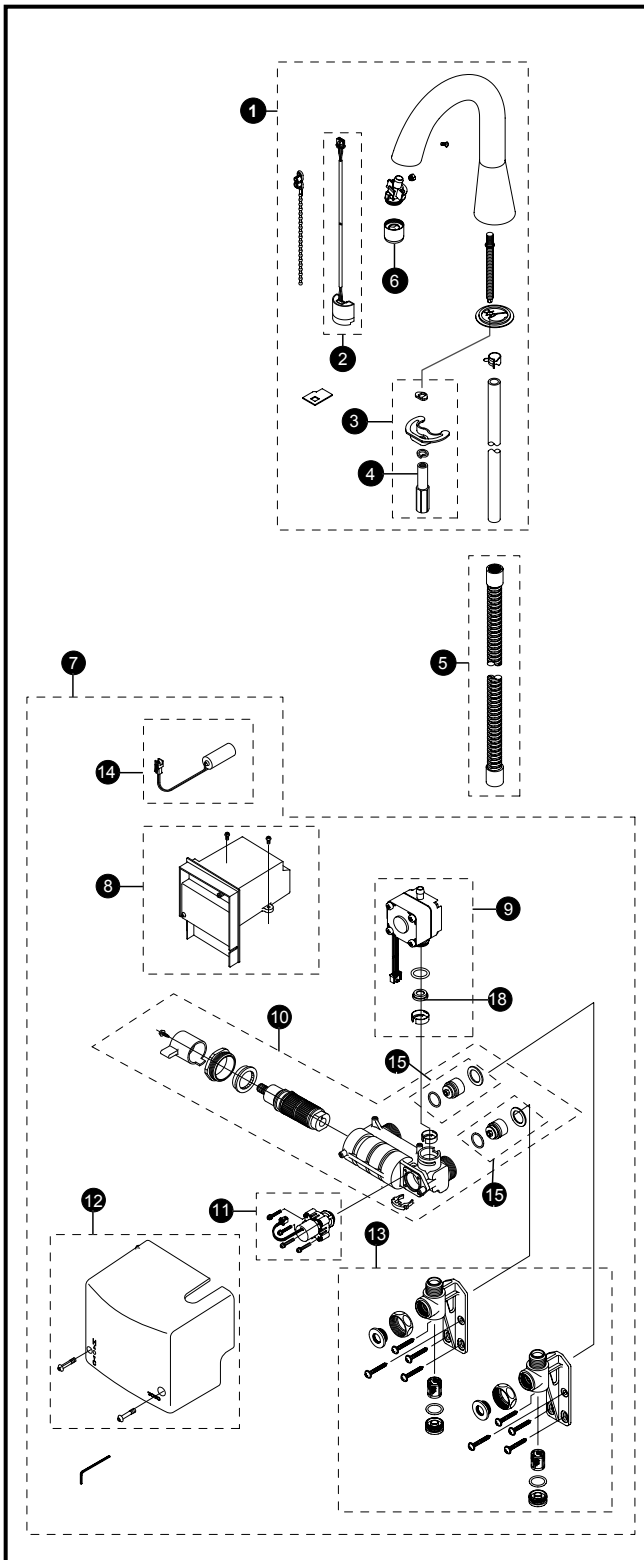


TEL5GG10#CP  
 TEL5GG60#CP  
 TEL76GV100N (Spout)  
 TN78-10V510 (TEL5GG10#CP Dynamo)  
 TN78-10V560 (TEL5GG60#CP Dynamo)

**Sensor Faucet, Gooseneck Spout  
 Self-Generating EcoPower® System  
 Thermal Mixing, 1.0GPM**



Item	Part	Description
1	TEL76GV100N	Spout Assembly (Without Flexible Tube)
2	TH559EDV405	Sensor
3	TH559EDV402R	Spout Mounting Kit
4	TH559EDV403R	Spout Nut
5	THU3023	Flexible Tube
6	TH559EDV564	Nozzle Assembly Set (Aerator Flow Type)
	TH559EDV432	Nozzle Assembly Set (Laminar Flow Type)
7	TN78-10V510	Dynamo Assembly (10 Sec. Unit)
	TN78-10V560	Dynamo Assembly (60 Sec. Unit)
8	TH559EDV560	Thermal Dynamo Control Unit 10 sec.
	TH559EDV467	Thermal Dynamo Control Unit 60 sec.
9	TH559EDV561	Dynamo Hydropower Generator
10	TH559EDV469	Thermal Mixing Valve
11	TH559EDV470	Solenoid & Diaphragm Assembly
12	TH559EDV471	Control Cover Set
13	TH559EDV429R	Mounting Bracket Set
14	TH559EDV410R	Back Up Battery
15	TH559EDV472	Check Valve
16	TN71V100S	Cover Plate - 4"
17	71244T8CC	Cover Plate - 8"
18	TH559EDV572	1.0gpm Flow Regulator

**Product Number Explanations**

**Faucet**  
 (T) Fitting  
 (E) Electronic  
 (L) Lavatory  
 (S) Thermal Mixing  
 (G) Generator Type  
 (G) Gooseneck Spout  
 (10) 10 Second  
 (60) 60 Second  
 (#CP) Chrome Finish