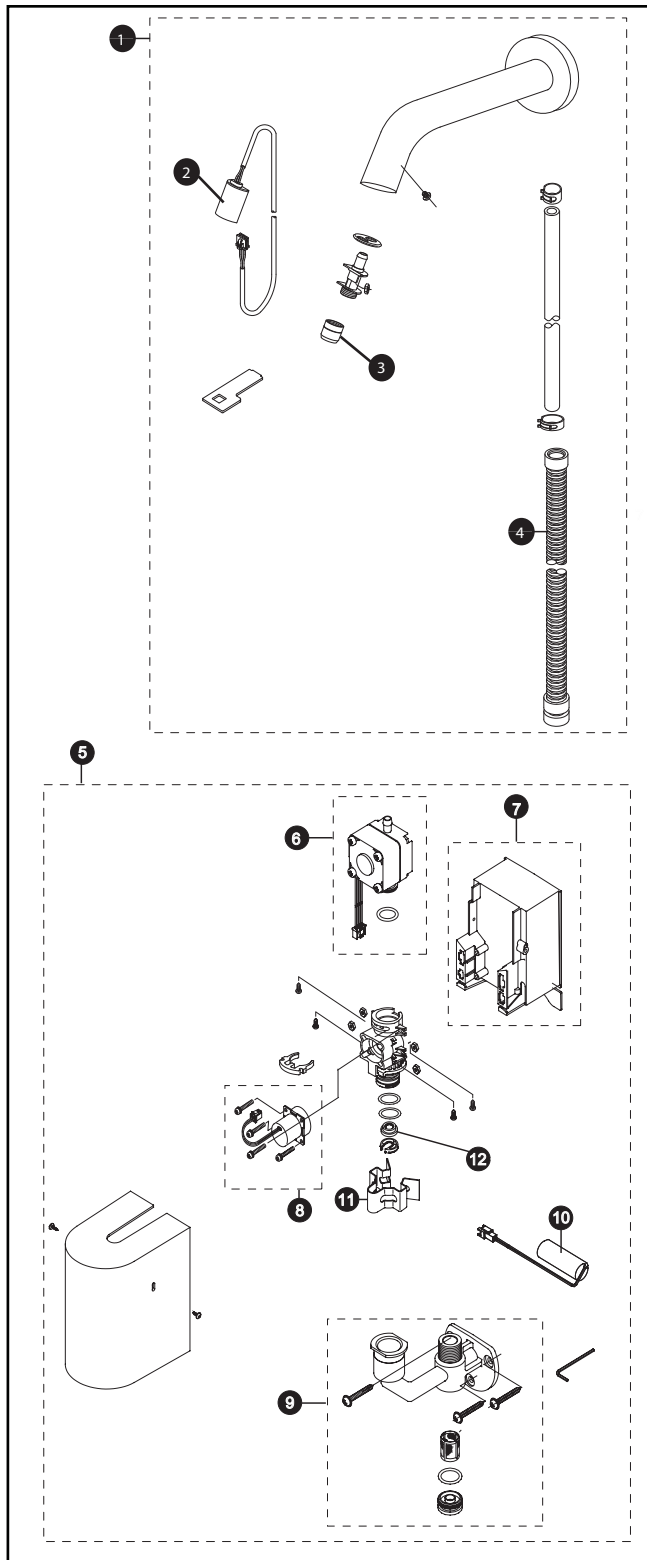


# TEL3LW10#CP

TEL3LW10#CP  
 DLE105AR (Spout)  
 TN78-9V710 (Dynamo)

## Sensor Faucet, Helix™ Wall Mount Spout Self-Generating EcoPower® System Single Supply, 0.5 GPM



Item	Part	Description
1	DLE105AR	Spout Assembly
2	TH559EDV436	Sensor
3	THU3045#CP	Nozzle Assembly Set (0.5 GPM Aerator Flow Type)
4	THU3023	Flexible Tube
5	TN78-9V710	Dynamo Assembly
6	TH559EDV562	0.5GPM Dynamo Hydropower Generator
7	TH559EDV559	Single Dynamo Control Unit 10 sec.
8	TH559EDV464	Solenoid and Diaphragm Assembly
9	TH559EDV410R	Back-Up Battery
10	TH559EDV466R	Mounting Bracket Set
11	TH559EDV255	Metal Clip
12	TH559EDV570	0.5GPM regulator

### Product Number Explanations

#### Faucet

- (T) Fitting
- (E) Electronic
- (L) Lavatory
- (3) Single Supply
- (L) 0.5GPM Generator Type
- (W) Wall Mount
- (10) 10 Second
- (#CP) Polished Chrome