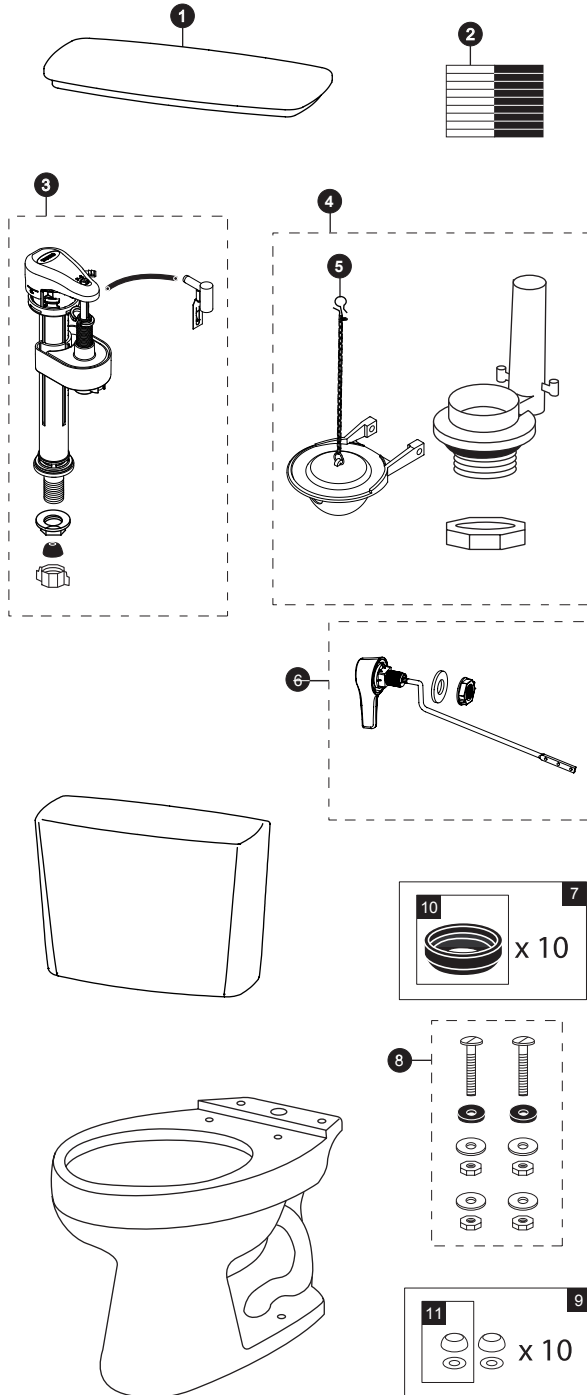


# CST744ELN

CST744ELN CST744ELRN  
ST744E ST744ER  
C744EL

## EcoDrake® Transitional 1.28 Gpf Toilet, Elongated, E-Max®, ADA, 12" Rough-In



Item	Part	Description
1	TCU744CRE#01 TCU744CRE#03 TCU744CRE#11 TCU744CRE#12 TCU744CRE#51	Tank Lid w/ Velcro Tape Tank Lid w/ Velcro Tape Tank Lid w/ Velcro Tape Tank Lid w/ Velcro Tape Tank Lid w/ Velcro Tape
2	THU107	Velcro Tape
3	TSU53A	Fill Valve
4	THU252P-A	Flush Valve Assembly with Flapper
5	THU347S	Flapper with Chain and Clip
6	THU398#CP THU399#CP	Trip Lever, Left Hand Trip Lever, Right Hand
7	THU131	Tank to Bowl Gaskets (for 10 toilets)
8	TSU01D	Tank Mounting Kit
9	THU098#01 THU098#03 THU098#11 THU098#12 THU098#51	Bolt Cap Sets (for 10 toilets) Bolt Cap Sets (for 10 toilets) Bolt Cap Sets (for 10 toilets) Bolt Cap Sets (for 10 toilets) Bolt Cap Sets (for 10 toilets)
10	9BU024E	3" Tank to Bowl Gasket (for 1 toilet)
11	THU044#01 THU044#03 THU044#11 THU044#12 THU044#51	Bolt Cap Set (for 1 toilet) Bolt Cap Set (for 1 toilet) Bolt Cap Set (for 1 toilet) Bolt Cap Set (for 1 toilet) Bolt Cap Set (for 1 toilet)

### Product Number Explanations

**Two-Piece Toilet**  
(CST) Gravity Type Toilet  
(744) Model #  
(E) E-Max®  
(L) ADA Compliant  
(R) Right Hand Option  
(N) Model letter

**Tank**  
(ST) Tank  
(744) Model #  
(E) E-Max®  
(R) Right Hand Option

**Bowl**  
(C) Bowl  
(744) Model #  
(E) E-Max®  
(L) ADA Compliant

**Colors**  
(#01) Cotton  
(#03) Bone  
(#11) Colonial White  
(#12) Sedona Beige  
(#51) Ebony

**Finishes**  
(#CP) Chrome Plated

Actual Product May Differ Slightly from Illustration.

**TOTO®**