

TOTO : WASHLET®

FIT CHART



WASHLET® COMPARISON CHART

		S550e	S500e	S350e	S300e
		SW3056 (Contemporary) SW3054 (Classic)	SW3046 (Contemporary) SW3044 (Classic)	SW583 (Round)	SW573 (Round)
MSRP	COTTON (#01)	\$1,650	\$1,499	\$1,560	\$1,404
	SEDONA BEIGE (#12)	\$1,898	\$1,724	\$1,794	\$1,616
CLEANSE	REAR CLEANSE	•	•	•	•
	SOFT REAR CLEANSE	•	•	•	•
	FRONT CLEANSE	•	•	•	•
	WIDE FRONT CLEANSE	•	•	•	•
	OSCILLATING CLEANSE	•	•	•	•
	PULSATING CLEANSE	•	•	•	•
	INSTANTANEOUS WATER HEATING	•	•	•	•
	WATER PRESSURE CONTROL	5 SETTINGS	5 SETTINGS	5 SETTINGS	5 SETTINGS
	WATER TEMPERATURE CONTROL	5 SETTINGS	5 SETTINGS	5 SETTINGS	5 SETTINGS
	WAND POSITION ADJUSTMENT	•	•	•	•
AIR	AIR PURIFIER (DEODORIZER)	•	•	•	•
	AIR DRYER	•	•	•	•
	AIR TEMPERATURE CONTROL	5 SETTINGS	5 SETTINGS	5 SETTINGS	5 SETTINGS
SEAT	HEATED SEAT	•	•	•	•
	HEATED SEAT TEMPERATURE CONTROL	5 SETTINGS	5 SETTINGS	5 SETTINGS	5 SETTINGS
	SOFTCLOSE SEAT AND LID	•	•	•	•
SENSOR	SEAT SENSOR	•	•	•	•
	AUTOMATIC OPEN AND CLOSE LID	•	•	•	•
	AUTOMATIC FLUSH	•	•	•	•
	NIGHT LIGHT	•	•	•	•
REMOTE CONTROL	REMOTE CONTROL	•	•	•	•
	REMOTE CONTROLLED SEAT	•	•	•	•
	ON-DEMAND WAND CLEANING	•	•	•	•
HYGIENE	REMOVABLE LID	•	•	•	•
	PREMIST	•	•	•	•
	EWATER+®	•	•	•	•
	WAND CLEANING MODE	•	•	•	•
	SELF-CLEANING WAND	•	•	•	•
ENERGY SAVING	ENERGY-SAVER TIMER	3, 6, 9 HOURS	3, 6, 9 HOURS	3, 6, 9 HOURS	3, 6, 9 HOURS
	AUTO ENERGY SAVER	•	•	•	•
	ON/OFF BUTTON	•	•	•	•

RATED POWER USAGE		1288W	1287W	835W	835W
LENGTH OF POWER CORD		4 ft.	4 ft.	3.9 ft. (1.2 m)	3.9 ft. (1.2 m)
WASHLET NOZZLE FLOW RATE	REAR	9.1 - 14.5 oz./min.	9.1 - 14.5 oz./min.	9.1 - 14.5 oz./min.	9.1 - 14.5 oz./min.
	SOFT	10.8 - 14.5 oz./min.	10.8 - 14.5 oz./min.	10.8 - 14.5 oz./min.	10.8 - 14.5 oz./min.
	FRONT	9.8 - 14.5 oz./min.	9.8 - 14.5 oz./min.	9.8 - 14.5 oz./min.	9.8 - 14.5 oz./min.
WATER TEMPERATURE		86°F - 104°F	86°F - 104°F	86°F - 104°F	86°F - 104°F
DRYER	AIR TEMPERATURE	95°F - 140°F	95°F - 140°F	95°F - 140°F	95°F - 140°F
	AIR VOLUME	10.24 ft ³ /min.	10.24 ft ³ /min.	10.24 ft ³ /min.	10.24 ft ³ /min.
HEATED SEAT TEMPERATURE		82° F - 97° F	82° F - 97° F	82° F - 97° F	82° F - 97° F
WATER SUPPLY PRESSURE		7 psi - 109 psi	7 psi - 109 psi	7 psi - 109 psi	7 psi - 109 psi
WATER SUPPLY TEMPERATURE		33°F to 95°F	33°F to 95°F	33°F to 95°F	33°F to 95°F
AMBIENT TEMPERATURE		33°F to 104°F	33°F to 104°F	33°F to 104°F	33°F to 104°F
SIZE	ELONGATED	15-5/16"W x 20-3/4"D x 3-15/16"H	15-5/16"W x 20-3/4"D x 3-15/16"H	-	-
	ROUND	-	-	15-5/16"W x 18-7/8D x 3-15/16"H	15-5/16"W x 18-7/8D x 3-15/16"H

K300	C200	C100	A200	A100
SW3036 (Elongated)	SW2044 (Elongated)	SW2034 (Elongated)	SW2024 (Elongated)	SW2014 (Elongated)
\$1,165	\$699	\$599	\$599	\$499
\$1,340	\$804	\$689		
•	•	•	•	•
•	•	•	•	•
•	•	•	•	•
•				
•	•	•	•	•
•	•		•	
•				
5 SETTINGS	5 SETTINGS	5 SETTINGS	5 SETTINGS	5 SETTINGS
3 SETTINGS	5 SETTINGS	3 SETTINGS	3 SETTINGS	3 SETTINGS
•	•	•	•	•
•	•	•		
•	•	•		
3 SETTINGS	5 SETTINGS	3 SETTINGS		
•	•	•	•	•
3 SETTINGS	5 SETTINGS	3 SETTINGS	5 SETTINGS	3 SETTINGS
•	•	•	•	•
•	•	•	•	•
•	•	SIDE PANEL	•	SIDE PANEL
•	•	•	•	•
•	•	•		
•	•	•	•	•
•	•	•	•	•
6, 9 HOURS				
•	•	•	•	•
•				

1274 W	406W	406W	292W	290W
3.9 ft. (1.2 m)	3.9 ft. (1.2 m)	3.9 ft. (1.2 m)	3.9 ft. (1.2 m)	3.9 ft. (1.2 m)
9.1 - 14.5 oz./min.	9.1 - 14.5 oz./min.	9.1 - 14.5 oz./min.	9.1 - 14.5 oz./min.	9.1 - 14.5 oz./min.
10.8 - 14.5 oz./min.	9.1 - 14.5 oz./min.	9.1 - 14.5 oz./min.	9.1 - 14.5 oz./min.	9.1 - 14.5 oz./min.
9.8 - 14.5 oz./min.	9.8 - 14.5 oz./min.	9.8 - 14.5 oz./min.	9.8 - 14.5 oz./min.	9.8 - 14.5 oz./min.
86°F - 104°F	86°F - 104°F	95°F - 104°F	95°F - 104°F	95°F - 104°F
95°F - 140°F	104°F - 140°F	-	-	-
10.24 ft3/min.	9.54 ft3/min.	-	-	-
82° F - 97° F	82° F - 97° F	82° F - 95° F	82° F - 97° F	82° F - 97° F
7 psi - 109 psi	7 psi - 109 psi	7 psi - 109 psi	7 psi - 109 psi	7 psi - 109 psi
33°F to 95°F	33°F to 95°F	33°F to 95°F	33°F to 95°F	33°F to 95°F
33°F to 104°F	33°F to 104°F	33°F to 104°F	33°F to 104°F	33°F to 104°F
15-1/8"W x 20-7/8"D x 5-3/16"H	15 15/16"W x 20.5"D x 6-3/4"H	18-7/8"W x 20.5"D x 6-3/4"H	15-3/8"W x 20-7/8"D x 7-3/8"H	18-7/8"W x 20-7/8"D x 7-3/8"H
-	-	-	-	-

WASHLET®

COMPATIBILITY CHART

	SIZE	NAME	S550e/S500e	S350e/S300e	K300	C100/C200	A100/A200
ONE-PIECE TOILETS	ELONGATED	AIMES®					
		AQUIA®					
		AQUIA IV					
		CAROLINA® II					
		CARLYLE® II / II 1G®					
		GUINEVERE®					
		LEGATO®					
		LLOYD®	●		●	●	●
		PROMENADE® II / II 1G					
		SOIREE®					
		SUPREME®					
		SUPREME II					
		ULTIMATE®					
		ULTRAMAX®					
		ULTRAMAX® II / II 1G					
	ROUND	SUPREME					
		ULTIMATE		●			
		ULTRAMAX					
	TWO-PIECE TOILETS	ELONGATED	AQUIA I / II*				
AQUIA IV**							
CLAYTON®							
CONNELLY®**							
DARTMOUTH®							
DRAKE®							
DRAKE II / II 1G			●		●	●	●
MARIS® *							
NEXUS®							
PROMENADE							
PROMENADE II / II 1G							
ROWAN®							
VESPIN® II / II 1G							
WHITNEY®							
ROUND		DRAKE					
		DRAKE II		●			
		PROMENADE					
	ROWAN						
WALL-HUNG TOILETS	ELONGATED	AQUIA	●		●	●	
		MARIS				●	

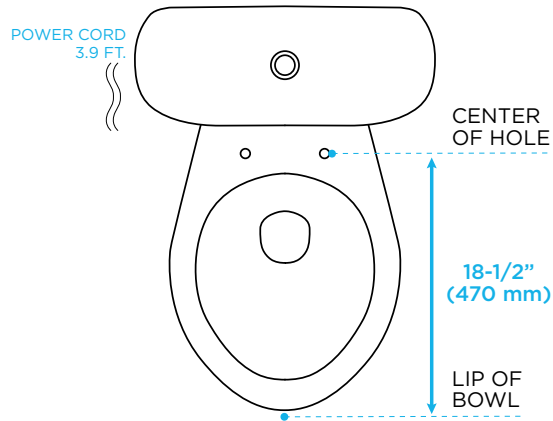
*Extension kit THU9090R required

**Extension kit 9AU321-A required

WASHLET INSTALLATION REQUIREMENTS

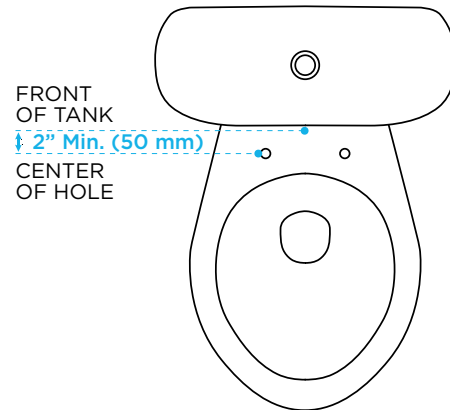
When your existing toilet is in need of an upgrade.

The following four-part diagram details the approximate measurements and requirements for installing most WASHLET models on existing toilets. Note that some styles of toilets may not allow WASHLET to fit properly due to certain contours where the tank meets the bowl.

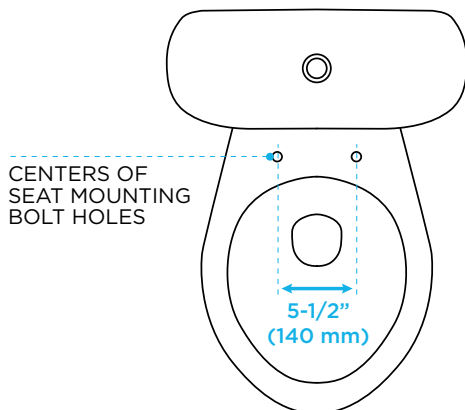


1. Elongated seats approximately 18-1/2 inches* (470 mm) from mounting holes to front of bowl.

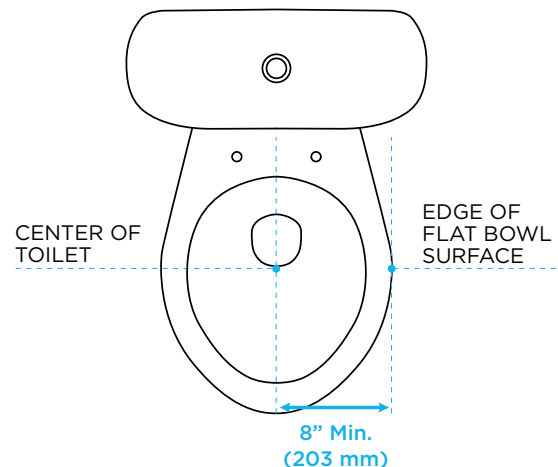
**Approximately 16-1/2" (420 mm) for round WASHLET seats.*



2. Minimum of 2 inches (50 mm) from front face of tank to the center of mounting holes.



3. Approximately 5-1/2 inches (140 mm) from the centers of the seat mounting holes.



4. Minimum of 8 inches (203 mm) of open space from center of toilet to edge of flat bowl surface.