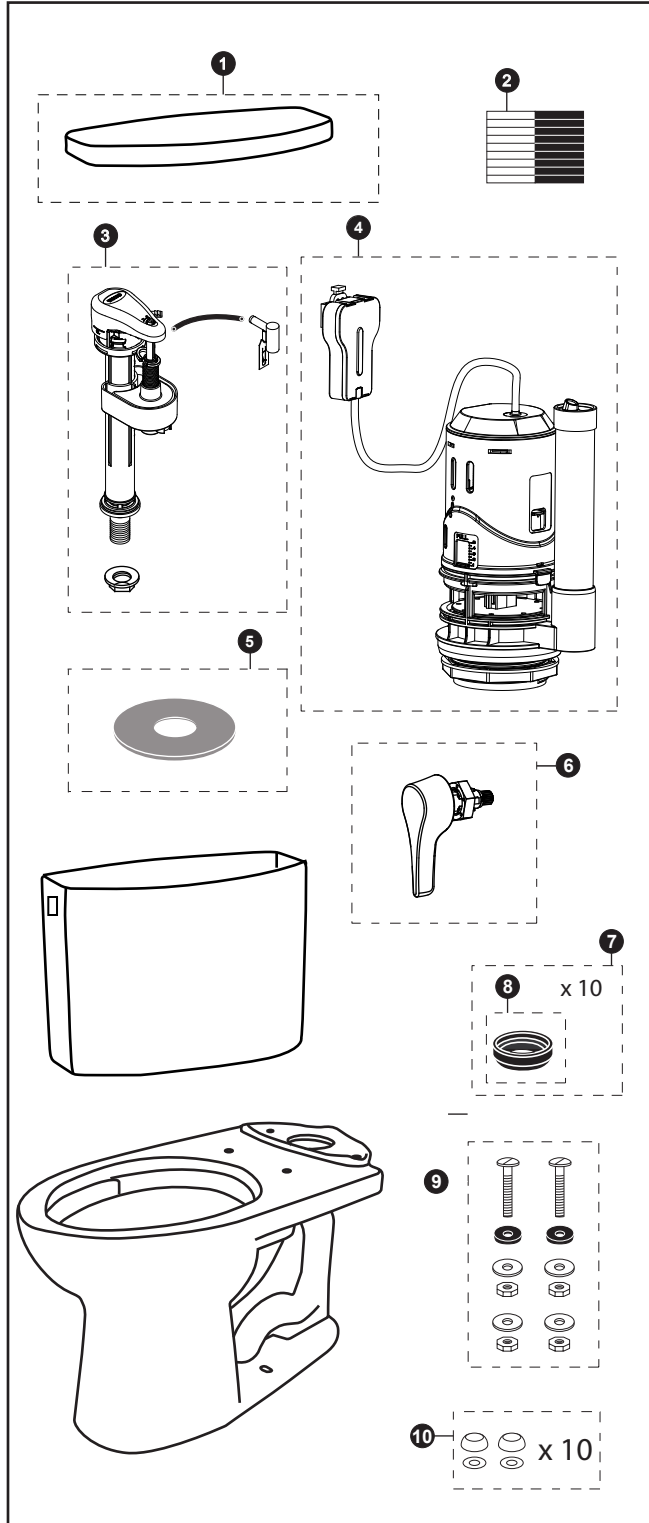


# CST454CUF(R)G

CST454CUFG      CST454CUFRG  
 ST453U          ST453UR  
 C454CUFG      C454CUFG

## 2 Pc Drake® II 1G™ 1.0 Gpf Toilet, Elongated, 1G™, 12" Rough-In, SanaGloss®



Actual Product may vary slightly from illustration

Item	Part	Description
1	TCU453CRU#01	Tank Lid w/ Velcro Tape
2	THU107	Velcro Tape
3	TSU53A	Fill Valve
4	THU396	Flush Valve Tower Assembly
	THU374	Flush Valve Tower Assembly for Right Hand Lever
5	9BU094	Gasket Seal for Flush Valve
6	THU390#CP	Trip Lever Handle
7	THU131	Tank to Bowl Gaskets (for 10 toilets)
8	9BU024E	Tank to Bowl Gasket (1 pc)
9	TSU01D	Tank Mounting Kit
10	THU098#01	Bolt Cap Sets (for 10 toilets)

### Product Number Explanations

**Two-Piece Toilet**  
 (CST) Gravity type Toilet  
 (454) Model  
 (C) Double-Cyclone  
 (U) Ultra Low Flush  
 (F) Universal Height  
 (R) Right Hand Lever  
 (G) SanaGloss

**Tank**  
 (ST) Tank  
 (453) Model  
 (U) Ultra Low Flush  
 (R) Right Hand Lever

**Bowl**  
 (C) Bowl  
 (454) Model  
 (C) Double-Cyclone  
 (U) Ultra Low Flush  
 (F) Universal Height  
 (G) SanaGloss

**Colors**  
 (#01) Cotton

**Finishes**      Plated  
 (#CP) Chrome