

Flushometer ADA Toilet, 1.28GPF when used with High Efficiency Flushometer Valve

FEATURES

- Floor-mounted
- ADA compliant
- Elongated front bowl
- Optional SanaGloss® ceramic glaze - SanaGloss glaze prevents debris, mold and bacteria from sticking to ceramic surfaces, leading to fewer chemicals and less water in cleaning.
- 10"-12" rough-in

MODELS

- CT705ELNG
Commercial ADA compliant, floor-mounted toilet with SanaGloss ceramic glaze
- CT705ELN
Commercial ADA compliant floor-mounted toilet

ADDITIONAL ITEMS (sold separately)

- SC534 seat
- SC134 seat

EcoPower® FLUSH VALVES			
	Manual	DC Valves	AC Valves
TET3LN32#SS	TMT1LN32#CP	TET3DNS-32	TETANSR-32
TET3GN32#SS		TET2DNS-32	TET2ANS-32
TET2LN32#SS			
TET2GN32#SS			
TET1LN32#CP			
TET6LN32#CP			
TET1GNC-32			
TET6GNC-32			

COLORS/FINISHES

- Standard
 - #01 Cotton
 - #03 Bone (not available in SanaGloss)
 - #12 Sedona Beige (not available in SanaGloss)

PRODUCT SPECIFICATION

The floor-mounted, ADA compliant, low consumption siphon jet flushing toilet shall be 1.28GPF/4.8LPF when paired with a 1.28GPF flushometer valve and 1.6GPF/6.0LPF when paired with 1.6GPF/6.0LPF flushometer valve. Toilet shall be elongated front bowl and SanaGloss ceramic glaze (CT705ELNG). Toilet shall be TOTO Model CT705ELN_____.



SanaGloss

CODES/STANDARDS

- Meets and exceeds ASME A112.19.2/CSA B45.1, ASME A112.19.14,
- Certifications: IAPMO(cUPC), State of Massachusetts, City of Los Angeles, and others
- Code compliance: UPC, IPC, NSPC, NPC Canada, and others
- ADA compliant



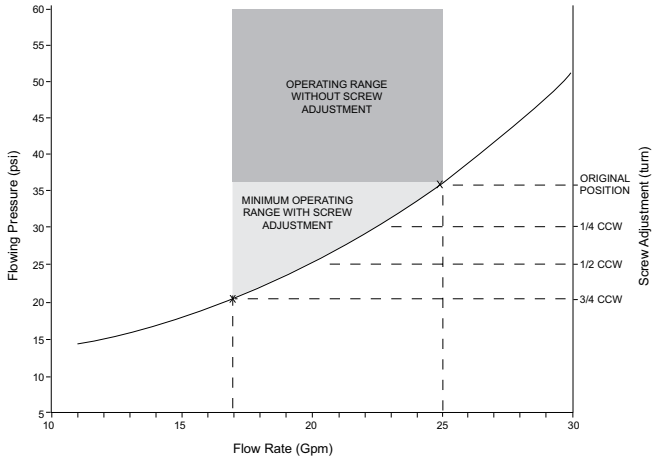
CT705ELN(G)

Flushometer ADA Toilet, 1.28GPF when used with High Efficiency 1.28GPF Flushometer Valve)

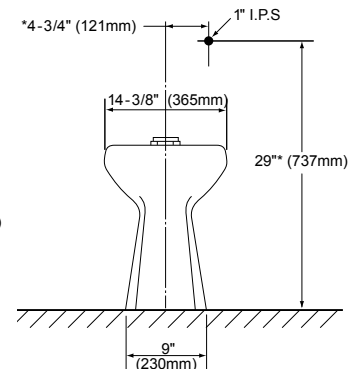
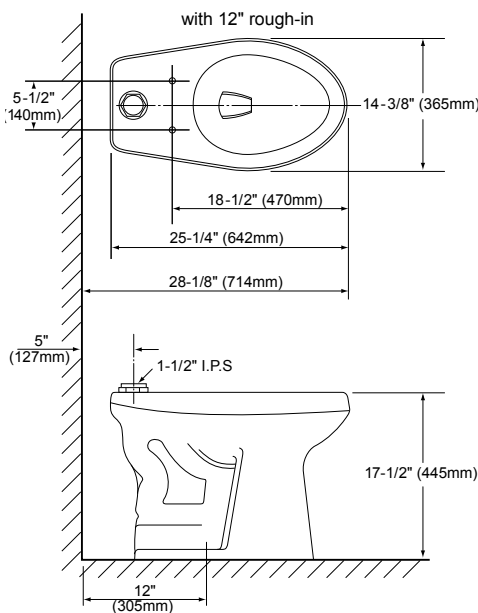
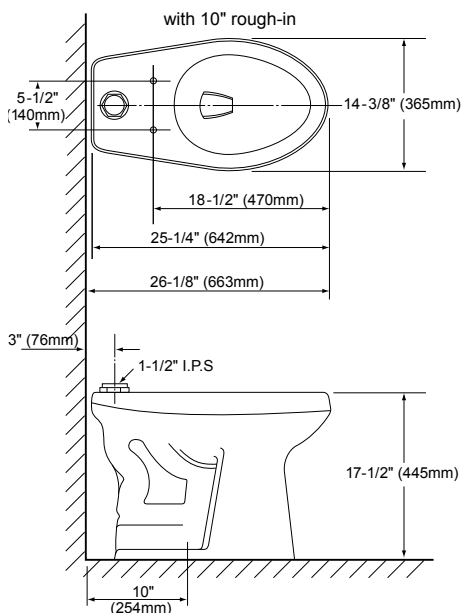
SPECIFICATIONS

- Water Use 1.28GPF/4.8LPF
- Flush System Siphon jet flushing action
- Min. Water Pressure 35 psi (flowing)
- Min. Flow Rate 23 GPM
- Water Surface 10-3/4" x 9-1/4"
- Trap Diameter 1-7/8"
- Rough-in 12", or 10"
- Trap Seal 2-3/8"
- Warranty One Year Limited Warranty
- Material Vitreous china
- Shipping Weight CT705ELN(G) - 56.5lbs
- Shipping Dimensions CT705ELN(G)
26-1/2" L x 9-1/2" W¹ x 16-1/4" W² x 19-1/2" H

INSTALLATION NOTES



Water pressures over 80 psi are not recommended for most plumbing fixtures.



TOTO

These dimensions and specifications are subject to change without notice