

## AP WASHLET®+ S7A Wall-Hung Toilet - 1.28 GPF / 0.9 GPF

### FEATURES

#### AP Bowl

- Ultra high-efficiency DYNAMAX TORNADO FLUSH® system - 1.28 GPF / 0.9 GPF (4.8 LPF / 3.4 LPF)
- CEFIONTECT® ceramic glaze minimizes waste from sticking to porous ceramic surfaces
- Universal Height
- Elongated shape front bowl

#### S7A WASHLET

- Elongated front WASHLET toilet with seat cover
- See spec sheet SW4736AT40 for WASHLET features

#### DuoFit In-Wall Tank

- Ultra high-efficiency dual flushing system - 1.28 GPF / 0.9 GPF (4.8 LPF / 3.4 LPF) Avg. flush 1.03 GPF
- Adjustable 15"-19" mounting height
- Saves up to 9" of floor space compared to standard floor-mounted toilet
- Supports up to 880lbs
- Commercial 2" x 6" or optional residential installation with 2" x 4" wall studs with waste outlet kit
- Copper supply line

#### Push Plate

- YT930#MS
- Matte Silver Basic Round Push Plate

### MODELS

- **CWT4264736CMFGA#MS**  
AP WASHLET+ with S7A
  - **CT426CFGT40#01**  
AP Wall-Hung Toilet
  - **WT173MA**  
In-Wall Tank System (Copper Pipe)
  - **SW4736AT40#01**  
S7A WASHLET  
Elongated WASHLET
  - **THU859**  
WASHLET connection kit
  - **YT930#MS**  
Matte Silver Basic Round Push Plate

### Available Options

- YT920#WH - White Matte Basic Square Push Plate
- YT920#MS - Matte Silver Basic Square Push Plate
- YT930#WH - White Matte Basic Round Push Plate
- YT970#SS - Stainless Steel Wall Square Push Plate
- YT980#SS - Stainless Steel Wall Round Push Plate



- DYNAMAX TORNADO FLUSH**
- EWATER+**
- CEFIONTECT**
- Auto Flush**
- UNIVERSAL HEIGHT**
- Skirted Design**

### COLORS/FINISHES

- #01 Cotton

### CODES/STANDARDS

- Meets and exceeds:
  - Bowl: ASME A112.19.2/CSA B45.1, ASME A112.19.14
  - Carrier System: ASME A112.6.2
  - Tank Trim: IAPMO PS50, CSA B125.3, ASSE1002
- Certifications: IAPMO (cUPC®), EPA WaterSense®, State of Massachusetts, City of Los Angeles, and others
- Code Compliance: UPC, IPC, NSPC, NPC Canada, and others
- Legislative Compliance: California AB715, California Green Building Code, City of Los Angeles Water Efficiency Ordinance, and others
- ADA compliant for residential use when seat height is between 17" and 19"
- Complies with CA Prop 65 warning requirements



# CWT4264736CMFGA#MS

## AP WASHLET®+ S7A Wall-Hung Toilet - 1.28 GPF / 0.9 GPF

### SPECIFICATIONS

	CT426CFGT40	S7A	WT173MA
Water Use	1.28 / 0.9 GPF (4.8 / 3.4 LPF)		1.28 / 0.9 GPF (4.8 / 3.4 LPF)
Flush System	DYNAMAX TORNADO FLUSH®		Dual flushing
Min. Water Pressure	8 psi (static)		8 psi (static)
Max. Water Pressure	108.75 psi (static)		108.75 psi (static)
Water Surface	5-1/2" X 4-1/8"		
Trap Diameter	2-1/8"		
Installation Height	15" to 19"		15" to 19"
Trap Seal	2-1/8"		
Warranty	One Year Limited Warranty	One Year Limited Warranty	One Year Limited Warranty
Material	Vitreous China		Various
Shipping Weight	68 lbs	15 lbs	44 lbs
Shipping Dimensions	22" L x 14.6" W x 16.5 H	23-3/8" L x 17-5/8" W x 6-1/4" H	47" L x 26-1/2" W x 5-3/4" H

See SW4736AT40 Specification Sheet for details on included WASHLET.

#### CT426CFGT40

This universal height, ultra high-efficiency DYNAMAX TORNADO flushing system toilet shall be 1.28 GPF / 0.9 GPF (4.8 LPF / 3.4 LPF). Toilet shall have CEFIONTECT® ceramic glaze. Toilet shall be mounted to in-wall tank system, elongated front bowl and wall-mounted push-button type trip lever. Toilet shall be TOTO Model CT426CFGT40#01.

#### S7A

Contemporary elongated WASHLET

#### YT930#MS

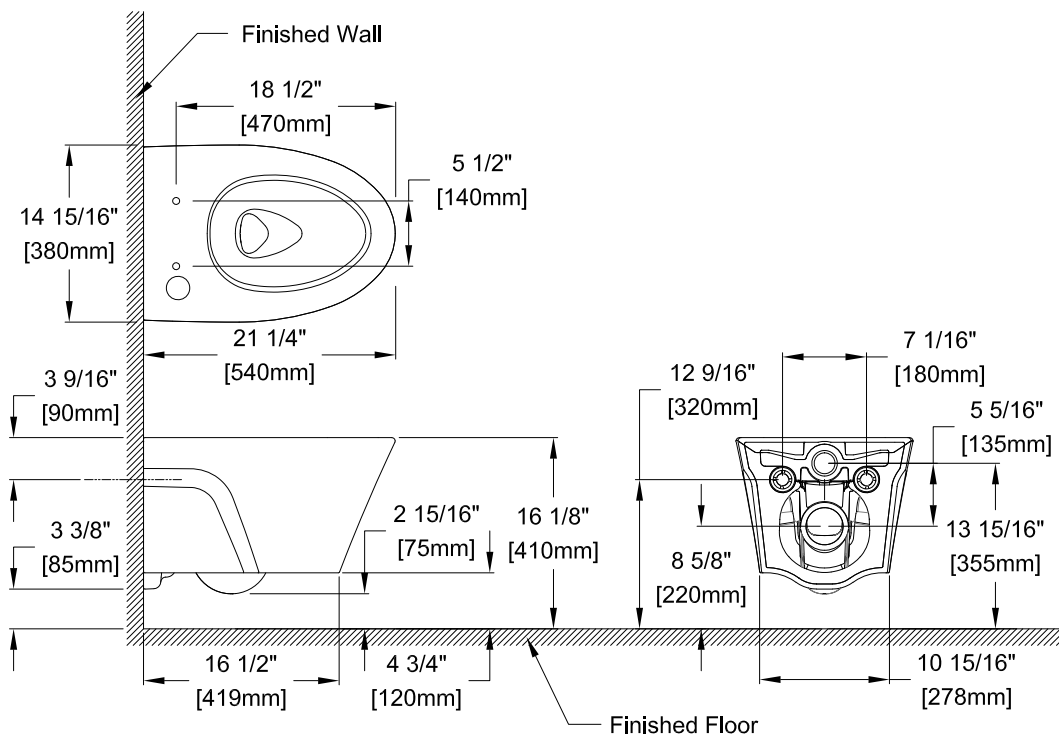
Dual Button Push Plate  
#MS Matte Silver

#### WT173MA

This universal height, high-efficiency, dual flushing, in-wall tank system toilet shall be 1.28 GPF / 0.9 GPF (4.8 LPF / 3.4 LPF). Requires TOTO toilet model CT426CFGT40. In-Wall tank system shall be TOTO Model WT173MA.

### DIMENSIONS

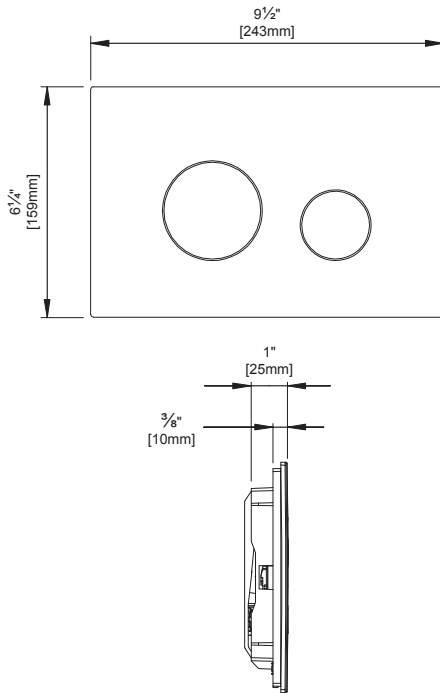
#### CT426CFGT40



# CWT4264736CMFGA#MS

## AP WASHLET®+ S7A Wall-Hung Toilet - 1.28 GPF / 0.9 GPF

### YT930

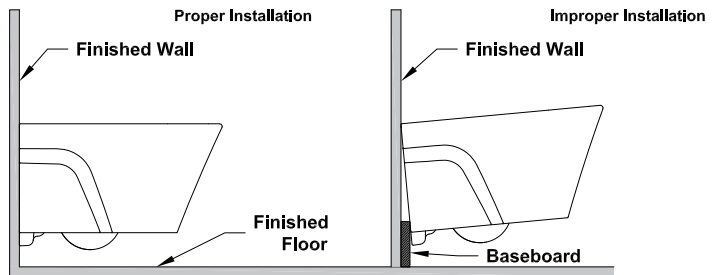


### INSTALLATION NOTES

- WT173MA  
Adequate structural bracing is required. Framing support should be capable of supporting 880 lbs load without damage to the wall. See installation manual for more details.

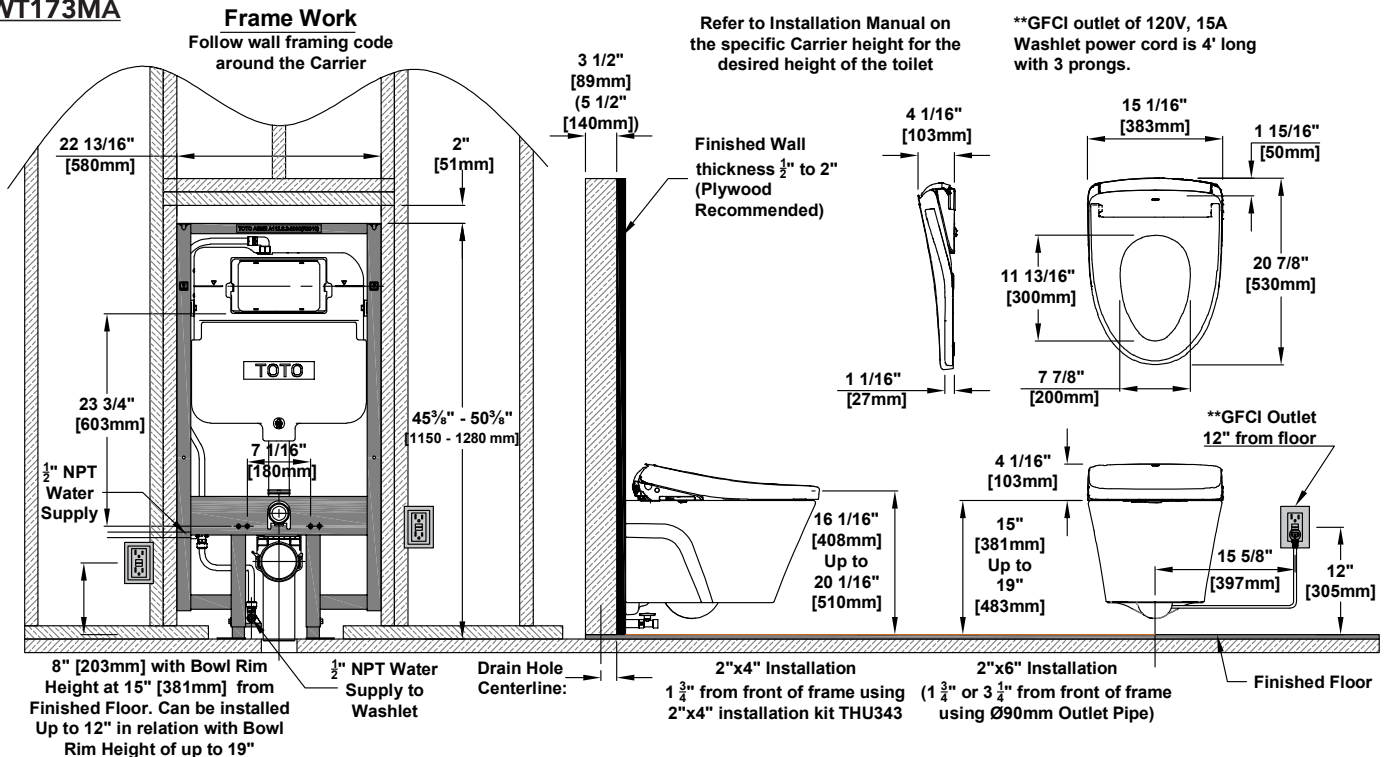
Recommend to use plywood with a minimum thickness of 1/2" for the wall panel.

### WT173MA



### DIMENSIONS

#### WT173MA



**TOTO®**

These dimensions and specifications are subject to change without notice