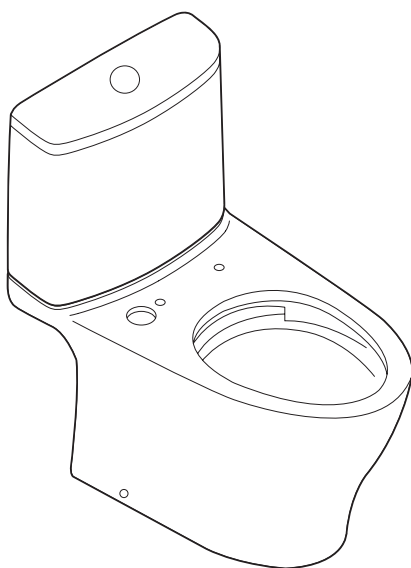


**Dual-flush Toilet**

**Inodoro de doble descarga**

**Toilettes à double chasse d'eau**



**CST446**

**Warranty Registration and Inquiry**

For product warranty registration, TOTO U.S.A. Inc. recommends online warranty registration. Please visit our web site <http://www.totousa.com>. If you have questions regarding warranty policy or coverage, please contact TOTO U.S.A. Inc., Customer Service Department, 1155 Southern Road, Morrow, GA 30260 (888) 295-8134 or (678) 466-1300 when calling from outside of U.S.A.

## TABLE OF CONTENTS

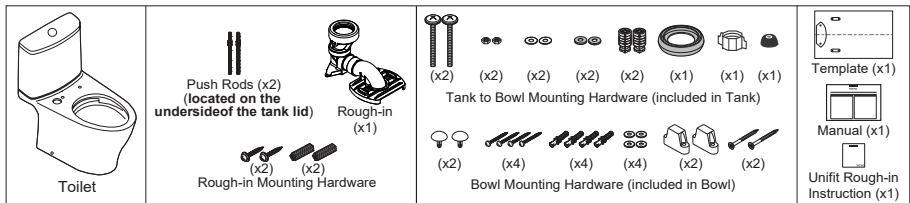
|   |    |
|---|----|
| Thanks for Choosing TOTO! .....         | 2  |
| Included Parts .....                    | 2  |
| Common Tools Needed.....                | 2  |
| Before Installation.....                | 3  |
| Installation Procedure.....             | 4  |
| Care and Cleaning.....                  | 7  |
| Replacing the Fill Valve .....          | 8  |
| Adjusting the Water Level.....          | 8  |
| Servicing Fill Valve .....              | 9  |
| Servicing Flush Valve .....             | 10 |
| CEFIONTECT® Cleaning Instructions ..... | 10 |
| Warranty.....                           | 11 |

## THANKS FOR CHOOSING TOTO!

The mission of TOTO is to provide the world with healthy, hygienic and more comfortable lifestyles. We design every product with the balance of form and function as a guiding principle. Congratulations on your choice.

## INCLUDED PARTS

Check to make sure you have the following parts included in your package\*:



\* Actual parts may appear different from drawing according to the model.

## COMMON TOOLS NEEDED

- |   |   |
|---|---|
| <ul style="list-style-type: none"> <li>■ 10" adjustable wrench</li> <li>■ Carpenters' level</li> <li>■ Hacksaw</li> <li>■ Tape measure</li> <li>■ Hand pliers</li> <li>■ Flat head screwdriver</li> <li>■ Phillips screwdriver</li> </ul> | <ul style="list-style-type: none"> <li>■ Pencil</li> <li>■ Putty knife</li> <li>■ Drill</li> <li>■ Drill bits (mounting block)<br/>                     For wood floor installation:<br/>                     - 1/8" drill bit<br/>                     For concrete/tile installation:<br/>                     - 5/16" drill bit</li> </ul> |
|---|---|

### MATERIALS REQUIRED:

(Not Included)

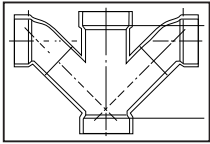
- Flexible supply hose
- Angle stop valve
- Wax ring

## BEFORE INSTALLATION

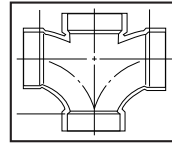
- Read these instructions thoroughly before beginning work.
- Please leave instructions for customers. These instructions contain maintenance and warranty information.
- If necessary, remove the existing toilet and if new construction, purge the supply line.

### NOTICE

Due to the powerful performance of our Tornado, G-Max, E-Max and Power Gravity flushing systems, they are not specified for back-to-back installations. The only means of installing these toilets in a back-to-back situation is when the toilet drain connections incorporate a WYE fitting. Please contact your builder or contractor prior to this installation.



Double Combination WYE / 1/8 Bend  
**YES**

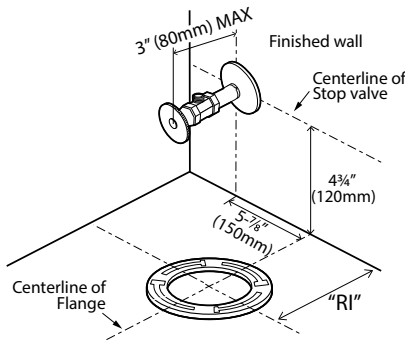


Double Sanitary Tee / Sanitary Cross  
**NO**

### Water supply shut-off valve installation recommendations

Follow these recommendations to ensure an optimal and trouble-free installation with a neat and professional appearance.

|  |  |
|--|--|
| <b>Location</b><br>(From floor and left of center of floor flange) | 4-3/4" x 5-7/8" (120mm x 150mm)  |
| <b>Valve type</b>  | Angle stop type valve with supply connection facing upward, inward, or downward<br><br><b>NOTE:</b> Straight stop type valve, or valve with supply connection on front of angle stop, is not recommended |
| <b>Maximum length</b>  | Angle stop must protrude less than 3" (80mm) from wall   |



## INSTALLATION PROCEDURE

1. Open the Unifit Rough-In packaging. Follow the Unifit Rough-In Installation instruction to complete the rough-in installation (ill. 1).
2. Place the template into position and follow its instructions to prepare for installing the toilet bowl.

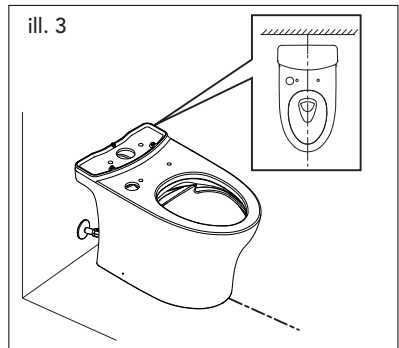
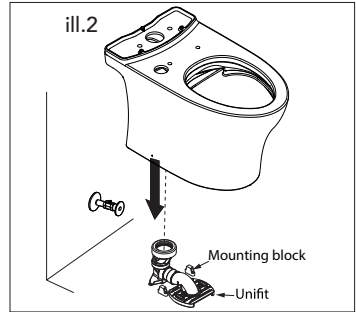
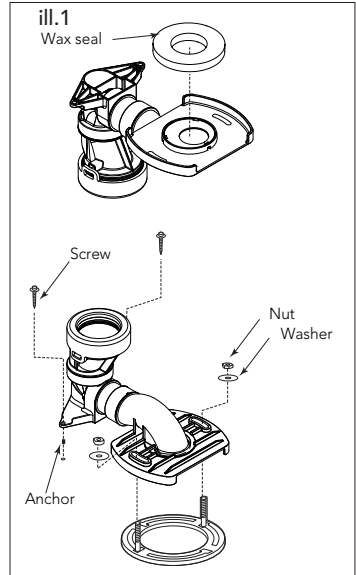
**NOTICE** Do not move the Unifit Rough-In on the Floor Flange after wax seal is set. If this notice is disregarded, discard the wax ring and replace with new wax ring.

3. Place the toilet bowl over the Unifit Rough-In and the two mounting blocks, by aligning the bowl outlet with the Unifit Rough-In opening (ill. 2).

**NOTICE** Insert the toilet all the way into position. If this notice is disregarded, leakage may result.

**NOTICE** Check for rocking. If needed, use shims to prevent the toilet from rocking.

4. Align the toilet perpendicular to the back wall and parallel to side walls; it should not sit crooked or diagonal (ill. 3).



## INSTALLATION PROCEDURE

5. Install the side screws to the mounting blocks. Cover the screw head with the provided screw caps (ill. 4).

6. Install the tank-to-bowl mounting hardware to the tank (ill. 5).

**CAUTION** Do NOT overtighten hardware, as it may break the china and cause personal injury or property damage.

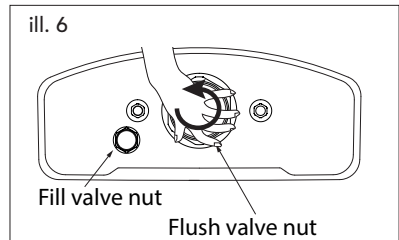
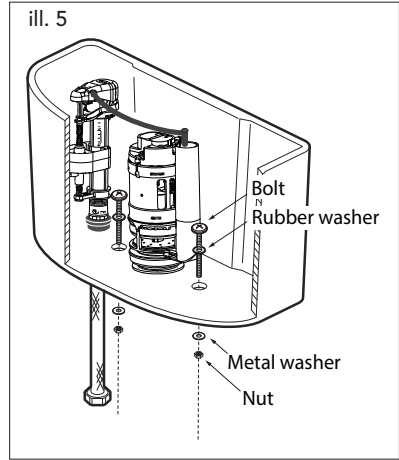
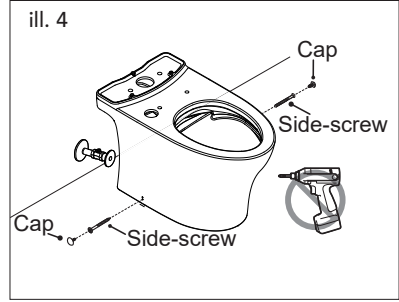
7. Place the tank upside down onto some padding. Inspect the smaller fill valve nut and larger flush valve nut for a secure connection (ill. 6). Try to tighten the nuts with your hands. If loose, tighten the nut hand tight and an additional 1/4 turn for the smaller fill valve nut and an additional 1/2 turn for the larger flush tower nut.

**NOTICE** Make sure that the fill valve does not turn and hit the tank while tightening.

8. Connect the water supply hose (not provided) to the fill valve (ill. 5).

**NOTICE** The water supply hose must be connected to the fill valve BEFORE the tank-to-bowl installation. TOTO recommends using a longer flexible supply hose.

9. Place the tank-to-bowl gasket onto the flush tower nut (ill. 7). While pressing down, spread the gasket over the nut until the gasket touches the bottom of the tank. A slight gap between the tank bottom and the gasket is allowable.



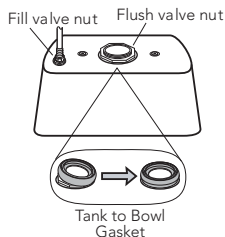
## INSTALLATION PROCEDURE

- Pick up the tank and carefully guide the water supply hose over the bowl's fill valve hole, align the tank-to-bowl gasket over the inlet of the bowl, and align the tank bolts over the bolt holes of the bowl.
- Using provided tank-tight nuts, hand tighten the nuts evenly until tank sets snugly on each of the 3 contact points on the bowl (ill. 8).

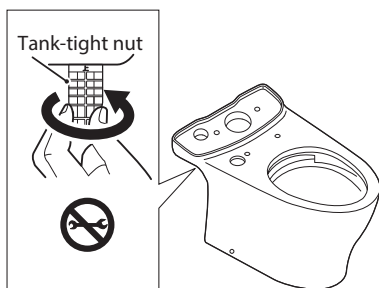
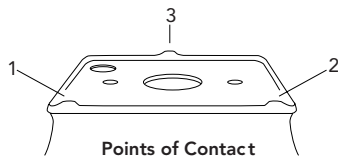
**⚠CAUTION** Do not overtighten the mounting bolts. Overtightening may break the china and cause personal injury and/or property damage.

- Install the flexible water supply hose to the angle stop (ill. 9). Make sure that the hose is free of kinks.

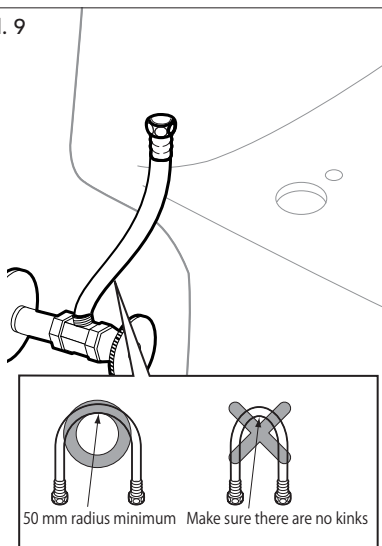
ill. 7



ill. 8



ill. 9



## INSTALLATION PROCEDURE

13. On the underside of the tank lid, remove the 2 rods with lock nuts, and screw them clockwise to the push button assembly.

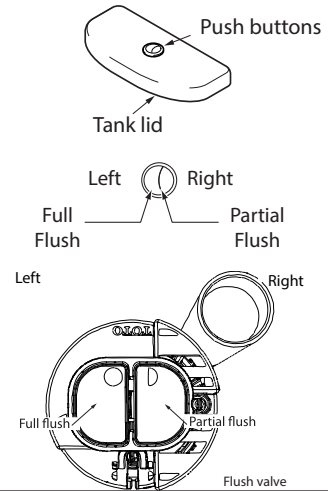
Place the lid on top of the tank, making sure that the full flush push button is on the left side (ill 10).

14. Adjust the length of the rods. If the push button rods are too short (see ill. 11a), the push buttons will not sit properly and toilet may short flush. If the push button rods are too long (see ill. 11b), the push button may continuously activate the flush valve.

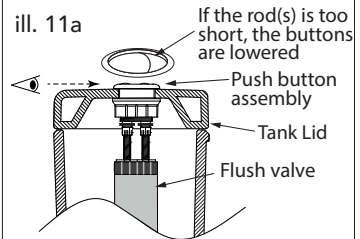
Correct with the following steps:

1. Loosen the lock nuts counter-clockwise.
  2. Turn the rods clockwise to shorten, counter-clockwise to lengthen (each full turn is 1mm).
  3. Place the lid on the tank to check the adjustment.
  4. When the adjustment is completed, tighten the lock nut to secure.
15. Turn on the water supply at the angle stop. Check ALL connections for leaks. Fix as needed.
16. The toilet seat is installed with the seat top mounting hardware. Refer to the seat installation instruction.

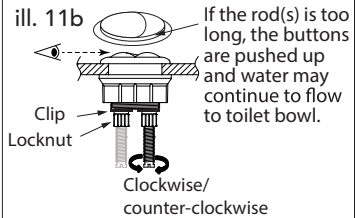
ill. 10



ill. 11a



ill. 11b



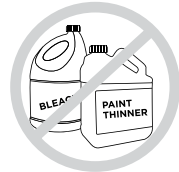
## CARE AND CLEANING

Use a detergent or non-abrasive toilet cleaner and a soft bristled plastic brush to clean your toilet. To remove hard water stains, use vinegar or lime dissolving cleaner and a non-scratch scour pad made for porcelain. Allow a little contact time to allow the cleaner to dissolve the buildup.

### NOTICE

#### DO NOT USE IN-TANK BOWL CLEANERS.

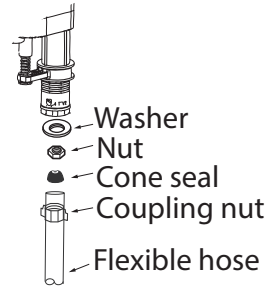
The use of high concentration of chlorine or chlorine-related products can seriously damage fittings in the tank. This damage can cause leakage and property damage. TOTO shall not be responsible or liable for any tank fitting failure or damage caused by the use of in-tank bowl cleaners.



## REPLACING THE FILL VALVE

1. Shut off the water supply. Flush the toilet and remove any remaining water from the tank. Reverse the tank installation instructions to remove it from the bowl. Remove the old fill valve.
2. Install new fill valve by sliding the threaded portion of the shaft through the hole in the bottom of tank.
3. Thread mounting nut onto exposed shaft under the tank and tighten nut.

ill. 1



**CAUTION** Do not over-tighten.

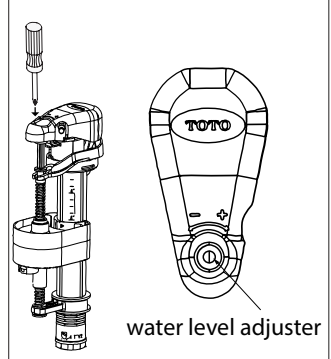
4. Connect the water supply (see ill. 1). Pipe dope is not recommended. Attach the refill tube to the valve and clip the other end to the overflow pipe.

## ADJUSTING THE WATER LEVEL

Refer to the water level line stamp inside the tank.

1. The water level adjustment is located in the top end of the fill valve. Use a flathead screwdriver to make adjustments:
  - To raise the water level: turn the screwdriver clockwise, or towards the '+' indicator.
  - To lower the water level: turn the screwdriver counter-clockwise, or towards the '-' indicator.
2. Flush after each adjustment to check the water level. When satisfied with the water level, flush once more to verify.

ill. 1



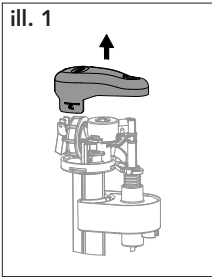


## SERVICING THE FILL VALVE

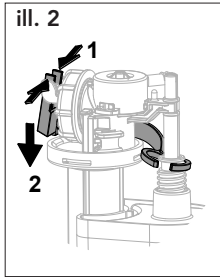
NOTE: Due to water conditions in your area, the strainer may require periodic cleaning. An indication that the strainer requires service can be seen in a delayed fill cycle, intermittent fill cycle, or inadequate amount of water flow from the refill tube.

1. Snap off the top cover by pulling from under the tab (see ill. 1).
2. Pinch the tabs of the lever arm to allow its removal (see ill. 2).
3. Snap off the adjustable rod from the bracket **(1)** allowing the unit to slide to the bottom and remove the retainer tab by pulling as the arrow indicates **(3)** (see ill. 3).
4. Grab hold of the valve unit, twist 1/4 turn counterclockwise and pull the unit out (see ill. 4).
5. Unscrew nut of the diaphragm housing (see ill. 5).
6. Remove the diaphragm from its housing by carefully pulling the edge of the diaphragm (see ill. 6). Note the position of the diaphragm while removing.
7. Remove the strainer from the tube with needle nose pliers (see ill. 7). Use twisting motion while pulling to help with removal.
8. Rinse all parts under running water to clear any debris, residues or films. Reinstall all parts in reverse order. Turn the water ON and check for leaks and operation.

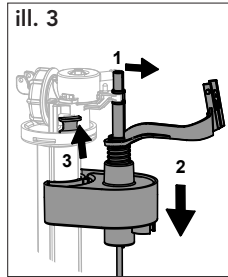
ill. 1



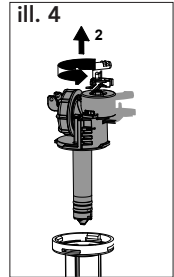
ill. 2



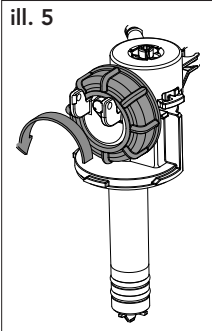
ill. 3



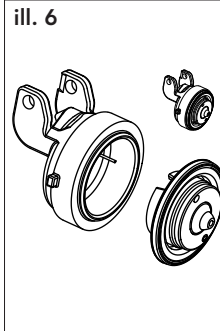
ill. 4



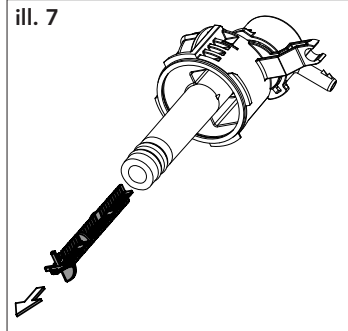
ill. 5



ill. 6

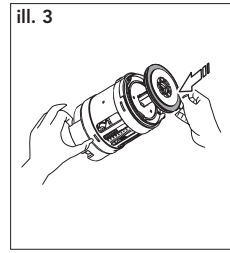
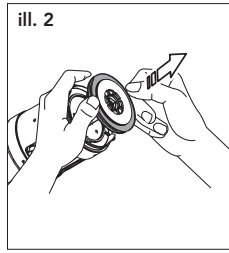
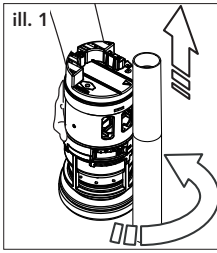


ill. 7



## SERVICING THE FLUSH VALVE

1. Turn off water supply and flush the toilet.
2. Remove the tank lid and place it upside down on a clean surface.
3. Note the orientation of the flush valve for reassembly.
4. Turn the upper half of flush valve counter-clockwise and pull it up to remove it (see ill. 1).
5. Remove the rubber seal gasket and rinse under running water to clean (see ill. 2).
6. Place the gasket back on the flush valve (see ill. 3).
7. Install the flush valve back on the base.
8. Rotate the flush valve so that the partial flush button is on the right and the full flush button is on the left.
9. Carefully, install the tank lid back on the tank.
10. Flush the toilet several times using each push button to verify proper operation. Check for leakage.



## CEFIONTECT® CLEANING INSTRUCTIONS



### WHAT IS CEFIONTECT®?

CEFIONTECT® is TOTO's super-smooth permanent glaze that prevents debris from sticking to surfaces. Products with the letter "G" in the number have the CEFIONTECT® glaze. This glaze, along with regular cleaning, will help keep your TOTO product in pristine condition.



No CEFIONTECT®

### NOTE:

For best results to keep your TOTO product with CEFIONTECT® clean:

- Lavatory: Use a mild dish detergent with a clean, soft cloth.
- Toilet: Use a gel based cleaner with a soft bristled-plastic brush.
- **Don't use** cleaners, polishing powders or detergents that have gritty or coarse particles.
- **Don't use** bleach, chemical thinners or products that have acid or alkaline detergents listed as ingredients.
- **Don't use** metal scrub brushes or steel wool.



With CEFIONTECT®



Following these instructions will ensure that your TOTO product with the CEFIONTECT® glaze will always stay intact, keeping your product like new for years to come!

## WARRANTY

1. TOTO warrants its vitreous china products ("Product") to be free from defects in materials and workmanship during normal use when properly installed and serviced, for a period of one (1) year from date of purchase. This limited warranty is extended only to the ORIGINAL PURCHASER of the Product and is not transferable to any third party, including but not limited to any subsequent purchaser or owner of the Product. This warranty applies only to TOTO Product purchased and installed in North, Central and South America.
2. TOTO's obligations under this warranty are limited to repair, replacement or other appropriate adjustment, at TOTO's option, of the Product or parts found to be defective in normal use, provided that such Product was properly installed, used and serviced in accordance with instructions. TOTO reserves the right to make such inspections as may be necessary in order to determine the cause of the defect. TOTO will not charge for labor or parts in connection with warranty repairs or replacements. TOTO is not responsible for the cost of removal, return and/or reinstallation of the Product.
3. This warranty does not apply to the following items:
  - a. Damage or loss sustained in a natural calamity such as fire, earthquake, flood, thunder, electrical storm, etc.
  - b. Damage or loss resulting from any accident, unreasonable use, misuse, abuse, negligence, or improper care, cleaning, or maintenance of the Product.
  - c. Damage or loss resulting from sediments or foreign matter contained in a water system.
  - d. Damage or loss resulting from improper installation or from installation of the Product in a harsh and/or hazardous environment, or improper removal, repair or modification of the Product. (NOTE: Product model codes allow a maximum of 80 PSI. Check local codes or standards for requirements).
  - e. Damage or loss resulting from electrical surges or lightning strikes or other acts which are not the fault of TOTO or which the Product is not specified to tolerate.
  - f. Damage or loss resulting from normal and customary wear and tear, such as gloss reduction, scratching or fading over time due to use, cleaning practices or water or atmospheric conditions.
  - g. Tank flushing mechanisms of plastic or rubber moving parts.
  - h. Toilet seats of plastic, wood or metal.
4. In order for this limited warranty to be valid, proof of purchase is required. TOTO encourages warranty registration upon purchase to create a record of Product ownership at <http://www.totousa.com>. Product registration is completely voluntary and failure to register will not diminish your limited warranty rights.
5. THIS WARRANTY GIVES YOU SPECIFIC LEGAL RIGHTS. YOU MAY HAVE OTHER RIGHTS WHICH VARY FROM STATE TO STATE, PROVINCE TO PROVINCE OR COUNTRY TO COUNTRY.
6. To obtain warranty repair service under this warranty, you must take the Product or deliver it prepaid to a TOTO service facility together with proof of purchase (original sales receipt) and a letter stating the problem, or contact a TOTO distributor or products service contractor, or write directly to TOTO U.S.A., INC., 1155 Southern Road, Morrow, GA 30260 (678) 466-1300 or (888) 295-8134, if outside the U.S.A. If, because of the size of the Product or nature of the defect, the Product cannot be returned to TOTO, receipt by TOTO of written notice of the defect together with proof of purchase (original sales receipt) shall constitute delivery. In such case, TOTO may choose to repair the Product at the purchaser's location or pay to transport the Product to a service facility.

THIS WRITTEN WARRANTY IS THE ONLY WARRANTY MADE BY TOTO. REPAIR, REPLACEMENT OR OTHER APPROPRIATE ADJUSTMENT AS PROVIDED UNDER THIS WARRANTY SHALL BE THE EXCLUSIVE REMEDY AVAILABLE TO THE ORIGINAL PURCHASER. TOTO SHALL NOT BE RESPONSIBLE FOR LOSS OF THE PRODUCT OR FOR OTHER INCIDENTAL, SPECIAL OR CONSEQUENTIAL DAMAGES OR EXPENSES INCURRED BY THE ORIGINAL PURCHASER, OR FOR LABOR OR OTHER COSTS DUE TO INSTALLATION OR REMOVAL, OR COSTS OF REPAIRS BY OTHERS, OR FOR ANY OTHER EXPENSE NOT SPECIFICALLY STATED ABOVE. IN NO EVENT WILL TOTO'S RESPONSIBILITY EXCEED THE PURCHASE PRICE OF THE PRODUCT. EXCEPT TO THE EXTENT PROHIBITED BY APPLICABLE LAW, ANY IMPLIED WARRANTIES, INCLUDING THAT OF MERCHANTABILITY OR FITNESS FOR USE OR FOR A PARTICULAR PURPOSE, ARE EXPRESSLY DISCLAIMED. SOME STATES DO NOT ALLOW LIMITATIONS ON HOW LONG AN IMPLIED WARRANTY LASTS, OR THE EXCLUSION OR LIMITATION OF INCIDENTAL OR CONSEQUENTIAL DAMAGES, SO THE ABOVE LIMITATION AND EXCLUSION MAY NOT APPLY TO YOU.

WARNING! TOTO shall not be responsible or liable for any failure of, or damage to, this Product caused by either chloramines in the treatment of public water supply or cleaners containing chlorine (calcium hypochlorite). NOTE: The use of a high concentrate chlorine or chlorine related products can seriously damage the fittings. This damage can cause leakage and serious property damage. For more information, please call TOTO at (888) 295-8134.

## ÍNDICE

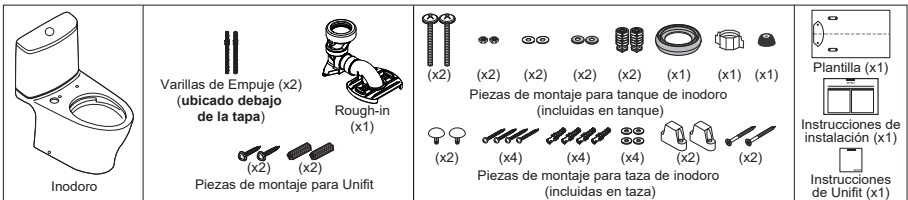
|   |    |
|---|----|
| ¡Gracias por elegir TOTO!.....                  | 12 |
| Partes incluidas .....                          | 12 |
| Herramientas comunes necesarias.....            | 12 |
| Antes de la instalación .....                   | 13 |
| Procedimiento de instalación .....              | 14 |
| Cuidado y limpieza .....                        | 17 |
| Reemplazo de la válvula de llenado.....         | 18 |
| Ajuste del nivel de agua.....                   | 18 |
| Mantenimiento de la válvula de llenado.....     | 19 |
| Mantenimiento de la válvula de descarga.....    | 20 |
| Instrucciones de Limpieza para CEFIONTECT®..... | 20 |
| Garantía .....                                  | 21 |

## ¡GRACIAS POR ELEGIR TOTO!

La misión de TOTO es brindarle al mundo estilos de vida sanos, higiénicos y más cómodos. Diseñamos cada producto con el balance de forma y función como un principio rector. Felicidades por su elección.

## PARTES INCLUIDAS

Revise para asegurar que tenga todas estas partes en el empaque\*:



\* El producto real puede variar en apariencia dependiendo del modelo.

## HERRAMIENTAS COMUNES NECESARIAS

- |  |   |
|--|---|
| <ul style="list-style-type: none"> <li>■ Llave ajustable de 10"</li> <li>■ Nivel de carpintero</li> <li>■ Serrucho de costilla</li> <li>■ Cinta métrica</li> <li>■ Pinzas</li> <li>■ Destornillador plano</li> <li>■ Destornillador Phillips</li> <li>■ Lapiz</li> </ul> | <ul style="list-style-type: none"> <li>■ Espátula</li> <li>■ Taladro</li> <li>■ Brocas de taladro (bloque de montaje)</li> </ul> <p>Para instalación en piso de madera:</p> <ul style="list-style-type: none"> <li>- Brocas de 1/8"</li> </ul> <p>Para instalación en concreto/azulejo:</p> <ul style="list-style-type: none"> <li>- Brocas de 5/16"</li> </ul> |
|--|---|

### MATERIALES NECESARIOS:

(no incluida)

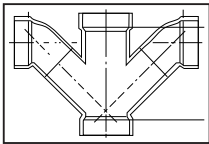
- Manguera flexible de suministro de agua
- Llave de paso ángulo
- Anillo de cera

## ANTES DE LA INSTALACIÓN

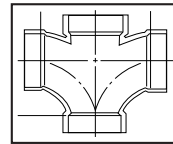
- Lea detenidamente estas instrucciones antes de comenzar a trabajar.
- Proporcione las instrucciones a los usuarios. Estas instrucciones contienen información acerca del mantenimiento y de la garantía.
- Si es necesario, retire el inodoro existente y si construcción nueva, purgar la línea de suministro.

### AVISO

Debido al potente rendimiento de nuestros sistemas de descarga Tornado, G-Max, E-Max y Power Gravity, no están especificados para las instalaciones respaldo con respaldo. La única forma de instalar estos inodoros de una manera respaldo a respaldo es cuando el desagüe del inodoro incorpora un accesorio WYE. Póngase en contacto con su constructor o contratista antes de la instalación.



WYE de doble combinación / doblado de 1/8  
**SÍ**



T sanitaria doble / cruz sanitaria  
**NO**

### Recomendaciones por instalación de llave de paso

Sigue estas recomendaciones asegurar instalación sin problemas con una apariencia ordenada y profesional.

**Ubicación**  
(de piso y izquierda de centro brida de piso)

4-3/4" x 5-7/8" (120mm x 150mm)

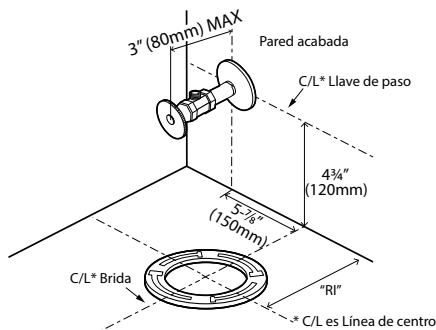
**Tipo de llave de paso**

Llave de paso ángulo con conexión a suministro hacia arriba, adentro, o abajo.

**NOTA:** Llave de paso código o llave de paso con conexión hacia al frente, no se recomienda.

**Longitud maxima**

Llave de paso debe sobresalir a menos de 3" (80mm) de la pared.



## PROCEDIMIENTO DE INSTALACIÓN

1. Abra el embalaje de Unifit. Siga sus instrucciones de instalación para completar la instalación del Unifit (il. 1).
2. Coloque la plantilla en posición y siga sus instrucciones para preparar para la instalación la taza de inodoro.

### AVISO

No mueva el Unifit después de que el anillo de cera haya quedado asentado. Si no se tiene en cuenta este aviso, deseche el anillo de cera y reemplácelo con el anillo de cera nuevo.

3. Coloque la taza del inodoro sobre la Unifit y los bloques de montaje, con la salida de taza y la abertura de Unifit en alineación (il. 2)

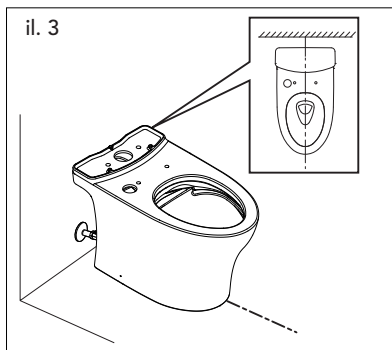
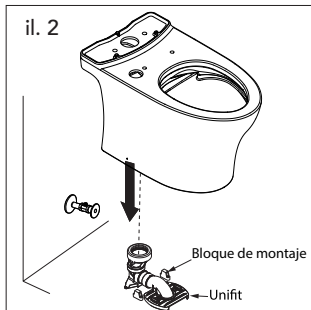
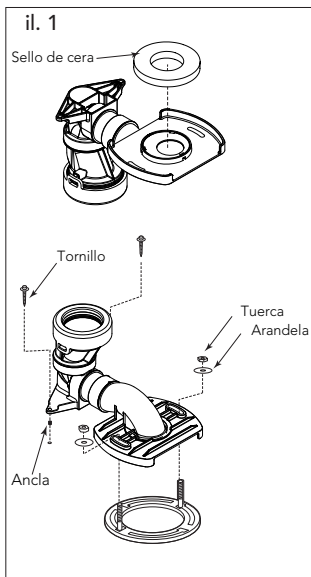
### AVISO

Inserte el inodoro en posición completamente. Si no se tiene en cuenta este aviso, fuga puede resultar.

### AVISO

Compruebe si se balancea. Si es necesario, use calzas para evitar que el inodoro se balancee.

4. Alinee el inodoro perpendicular a la pared trasera y paralelo a las paredes laterales; no debe ser torcido o diagonal (il. 3).



## PROCEDIMIENTO DE INSTALACIÓN

5. Instale los tornillos laterales en los bloques de montaje. Cubra las cabezas del tornillos con las tapas suministrado (il. 4)
6. Instale las piezas de montaje del tanque-a-taza a el tanque (il. 5).

**⚠PRECAUCIÓN** NO APRIETE DEMASIADO. Si no se tiene en cuenta este aviso, puede romper el producto y provocar lesiones personales o daño a la propiedad.

7. Coloque el junto tanque-a-taza en la tuerca de torre de descarga (il. 7). Presione hacia abajo y separe la junta sobre la tuerca hasta que la junta se asegure en la rosca de la tuerca. Un pequeño espacio entre el fondo del tanque y la junta es normal.

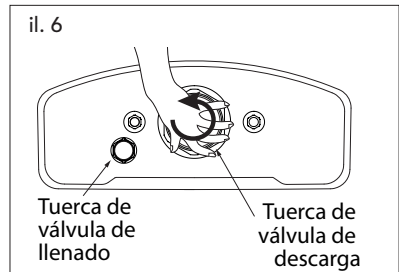
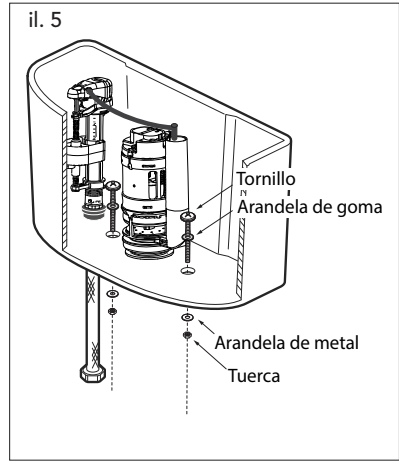
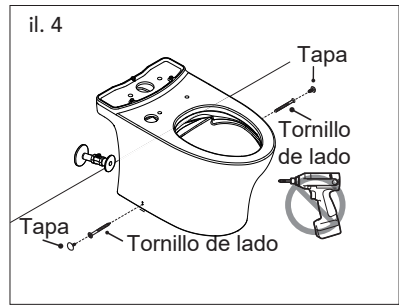
**AVISO** Asegurarse que la válvula de llenado no gire para golpear el tanque mientras lo está apretando.

8. Conecte la manguera de suministro de agua (no proveído) a la válvula de llenado (il. 5).

**AVISO** La manguera de suministro de agua debe conectarse a la válvula de llenado ANTES de la instalación del tanque en el recipiente. TOTO recomienda utilizar una manguera flexible longe.

9. Coloque el junto tanque-a-taza en la tuerca de torre de descarga (il. 7). Presione hacia abajo y separe la junta sobre la tuerca hasta que la junta se asegure en la rosca de la tuerca. Un pequeño espacio entre el fondo del tanque y la junta es normal.

**AVISO** Asegúrese de que la junta esté asegurada por la rosca de la tuerca. Si no se tiene en cuenta este aviso, el tanque puede tener fugas y causar daños a la propiedad.



## PROCEDIMIENTO DE INSTALACIÓN

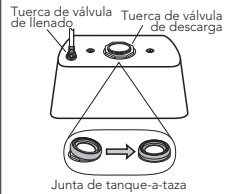
10. Levante el tanque y guíe con cuidado la manguera de suministro de agua encima a través de los orificios de válvula de llenado, alinee la junta tanque-a-taza a través de los orificio de entrada en la taza, y aligne la pernos de tanque a través de los orificios de pernos en la taza.

11. Utilice las tuercas de tanque suministrados, apriete a mano las tuercas igualmente hasta que el tanque haga tres puntos de contacto con la taza. (il. 8).

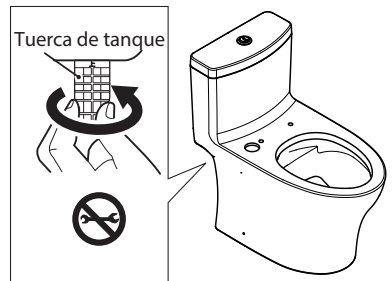
**⚠PRECAUCIÓN** No apriete demasiado el perno de montaje. Si lo hace, puede romper el producto y provocar lesiones personales o daño a la propiedad.

12. Instale la manguera de suministro de agua a el llave de paso (il. 9). Asegurarse que la manguera no tiene las curvas excesivas.

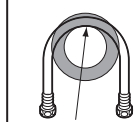
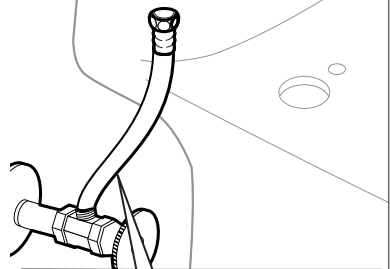
il. 7



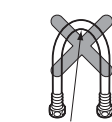
il. 8



il. 9



Radio mínimo 50 mm



Asegurarse que la manguera



## PROCEDIMIENTO DE INSTALACIÓN

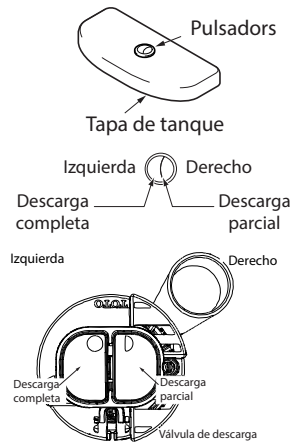
13. En la parte inferior de la tapa del tanque, retire las 2 varillas con contratuercas y atorníllelas en el sentido de las agujas del reloj al conjunto del botón pulsador. Coloque la tapa en la parte superior del tanque, asegurándose de que el botón de descarga total esté en el lado izquierdo (figura 10).

14. Ajuste la longitud de las varillas. Si las varillas de los botones pulsadores son demasiado cortas (vea la ilustración 11a), los botones pulsadores no se asentarán correctamente y es posible que el inodoro tenga una descarga corta. Si las varillas del botón pulsador son demasiado largas (vea la ilustración 11b), el botón pulsador puede activar continuamente la válvula de descarga.

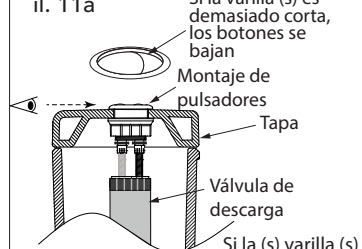
Corrija con los siguientes pasos:

1. Afloje las contratuercas en sentido antihorario.
  2. Gire las varillas en el sentido de las agujas del reloj para acortar, en sentido antihorario para alargar (cada vuelta completa es de 1 mm).
  3. Coloque la tapa en el tanque para verificar el ajuste.
  4. Cuando se complete el ajuste, apriete la contratuerca para asegurar.
15. Abra el suministro de agua al llave de paso. Revise TODAS las conexiones por las fugas. Fije, si necesario.
16. Instalar el asiento de inodoro con las herramientas de montaje de asiento, sigas sus instrucciones de instalación.

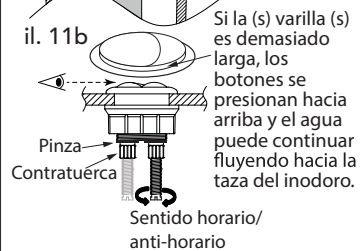
il. 10



il. 11a



il. 11b



## CUIDADO Y LIMPIEZA

Use un detergente o un limpiador de tocador no abrasivo y un cepillo de plástico de cerdas suaves para limpiar el inodoro. Para eliminar las manchas de agua dura, utilice vinagre o detergente que disuelva la cal y un estropajo no raspado hecho para porcelana. Permita un poco de tiempo de contacto para permitir que el limpiador disuelva la acumulación.



### AVISO

#### NO UTILICE LIMPIADORES EN EL RECIPIENTE DEL TANQUE

El uso de cloro en alta concentración o productos derivados del cloro puede dañar seriamente los accesorios en el tanque. Este daño puede ocasionar fugas y daños en la propiedad. TOTO no se hará responsable por fallas o daños en los accesorios del tanque causados por el uso de limpiadores en el taza del tanque.

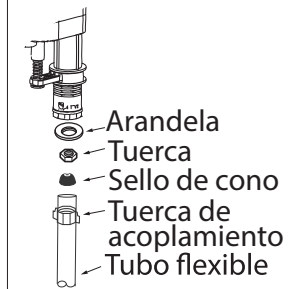
## REEMPLAZO LA VÁLVULA DE LLENADO

1. Cierre el suministro de agua. Descargar el inodoro y elimine el agua restante de la tanque. Siga las instrucciones de instalación del tanque al revés para extraerlo de la taza. Retire la válvula de llenado existente.
2. Instale la válvula de llenado nuevo deslizando la parte roscada del eje aunque el orificio en el parte inferior del tanque.
3. Enrosque la tuerca de montaje en el eje expuesto bajo el tanque y apriete la tuerca.

**⚠PRECAUCIÓN** No apriete demasiado.

4. Conecte el suministro de agua (ver il. 1). No se recomienda el grasa para tuberías. Fije el tubo de llenado a la válvula sujete el otro extremo al tubo de desbordamiento.

il. 1

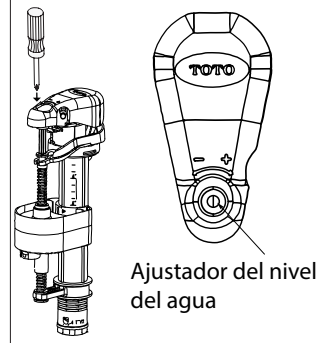


## AJUSTE DEL NIVEL DEL AGUA

Consulte la marca que indica el nivel de agua dentro del tanque.

1. El ajuste del nivel del agua se encuentra en el extremo superior de la válvula de llenado. Use un destornillador plano para realizar ajustes:
  - Para elevar el nivel del agua: gire el destornillador en el sentido de las agujas del reloj o hacia el indicador '+'.  
• Para bajar el nivel del agua: gire el destornillador en el sentido contrario a las agujas del reloj o hacia el indicador '-'.
2. Descargue el inodoro después de cada ajuste verifique el nivel de agua. Cuando esté satisfecho con el nivel del agua, vuelva a descargar el inodoro para verificarlo.

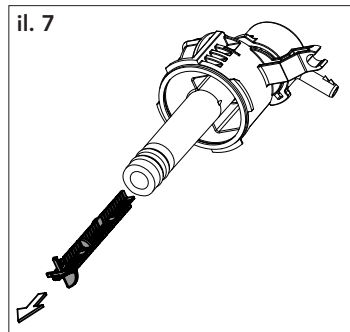
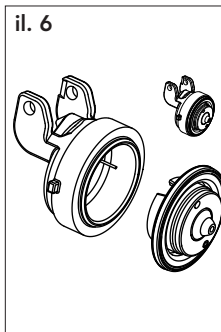
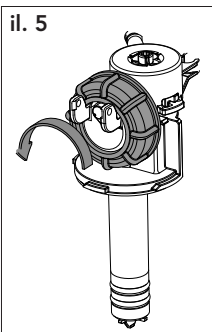
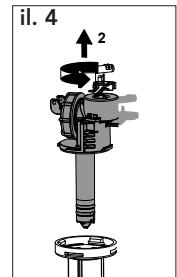
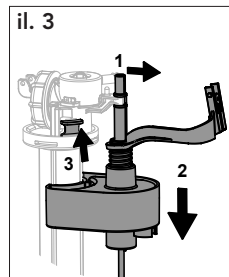
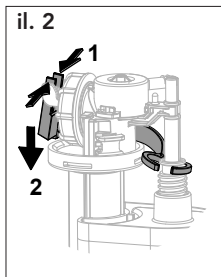
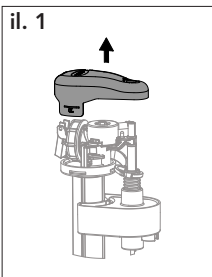
il. 1



## MANTENIMIENTO DE LA VÁLVULA DE LLENADO

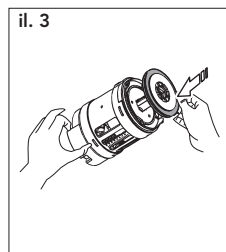
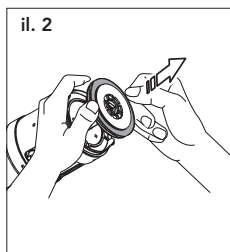
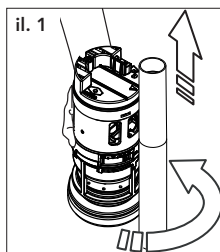
NOTA: Debido a las condiciones del agua en su área, el colador puede requerir una limpieza periódica. Los indicadores de que el filtro requiere servicio incluyen un ciclo de llenado retardado, ciclo de llenado intermitente o cantidad inadecuada de flujo de agua del tubo de llenado.

1. Desprenda la cubierta superior tirando de debajo de la pestaña (ver il. 1).
2. Presione las pestañas del brazo de palanca para permitir su extracción. (ver il. 2).
3. Desprenda la barra ajustable del soporte **(1)** permitiendo que la unidad se deslice hacia la parte inferior y retire la pestaña del retén tirando como indica la flecha **(3)** (ver il. 3).
4. Mientras sostiene la válvula con una mano, gire la tapa 1/4 de vuelta en sentido contrario a las manecillas del reloj y retírela (ver il. 4).
5. Destornille la tuerca de la cubierta del diafragma (ver il. 5).
6. Retire la diafragma desde la cubierta tirando con cuidado del borde del diafragma (ver il. 6). Tenga en cuenta la posición del diafragma mientras lo extrae.
7. Retire el colador desde el tubo con pinzas de punto (ver il. 7). Use el movimiento giratorio mientras tira para ayudar con la extracción.
8. Enjuague todas las partes con agua corriente para eliminar cualquier residuo o película. Vuelva a instalar todas las piezas en orden inverso. Abra el suministro de agua y verifique si hay fugas y si funciona.



## MANTENIMIENTO DE LA VÁLVULA DE DESCARGA

1. Cierre el suministro de agua y descargue el inodoro.
2. Retire la tapa del tanque y colóquela en forma invertida sobre una superficie limpia.
3. Observe la posición de los botones de la válvula de descarga para cuando deba volver a ensamblarla.
4. Gire la mitad superior de la válvula en sentido contrario a las manecillas del reloj y extraiga la válvula (ver il. 1).
5. Retire la junta de sello de goma y enjuáguela con agua corriente para limpiarla (ver il. 2).
6. Vuelva a colocar la junta en la válvula de descarga (ver il. 3).
7. Instale la válvula nuevamente sobre la base.
8. Gire la válvula según sea necesario de manera que el botón de descarga parcial (is on the right) y el botón de descarga completa (is on the left).
9. Vuelva a colocar cuidadosamente la tapa del tanque sobre el mismo.
10. Descargue el inodoro varias veces con cada botón para comprobar la operación correcta. Verifique que no haya fugas de agua.

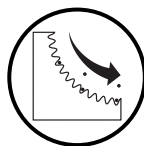


## INSTRUCCIONES DE LIMPIEZA PARA CEFIONTECT®



### ¿QUÉ ES CEFIONTECT®?

CEFIONTECT® es el esmalte permanente súper suave de TOTO que evita que los desechos se peguen a las superficies. Los productos con la letra "G" en el número tienen el esmalte CEFIONTECT®. Este esmalte, junto con una limpieza regular, ayudará a mantener su producto TOTO en perfectas condiciones.

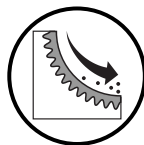


Sin CEFIONTECT®

### NOTA:

Para la limpieza regular de su producto TOTO con CEFIONTECT®:

- Lavabo: Use detergente para platos y un paño suave.
- Inodoro: Use limpiador a base de gel y un cepillo plástico de cerdas suaves.
- **No use** limpiadores, polvos pulidores o detergentes que tengan partículas arenosas o gruesas.
- **No use** lejía, diluyentes químicos o productos que incluyan detergentes ácidos o alcalinos en sus ingredientes.
- **No use** cepillos metálicos para fregar ni lana de acero.



Con CEFIONTECT®



Si sigue estas instrucciones de limpieza, se asegurará de que el esmalte CEFIONTECT® de su producto TOTO permanezca intacto, manteniéndolo hermoso durante muchos años.

## GARANTÍA

1. TOTO® garantiza que su vitreo china producto no presenta defectos en sus materiales ni de fabricación durante su uso normal cuando es instalado y mantenido adecuadamente, por un periodo de uno (1) año(s) a partir de la fecha de compra. Esta garantía limitada es válida solamente para el COMPRADOR ORIGINAL del Producto y no es transferible a una tercera persona, incluyendo, pero sin limitarse a, cualquier comprador o propietario subsiguiente del Producto. Esta garantía aplica solamente al Producto TOTO comprado e instalado en América del Norte, Central, Latina y del Sur.
2. Las obligaciones de TOTO bajo esta garantía se limitan a la reparación, cambio o cualquier otro ajuste, a petición de TOTO, del Producto o partes que resulten defectuosas en su uso normal, siempre que dicho Producto haya sido instalado, utilizado y mantenido de acuerdo con las instrucciones. TOTO se reserve el derecho de hacer tantas inspecciones como sean necesarias para determinar la causa del defecto. TOTO no cobrará por la mano de obra o partes relacionadas con las reparaciones o cambios garantizados. TOTO no es responsable por el costo de la remoción, devolución y/o reinstalación del Producto.
3. Esta garantía no aplica en los siguientes casos:
  - a. Daño o pérdida ocurrida en un desastre natural, tal como: incendio, sismo, inundación, relámpago, tormenta eléctrica, etc.
  - b. Daño o pérdida resultado de cualquier accidente, uso inaceptable, mal uso, abuso, negligencia o cuidado, limpieza o mantenimiento inadecuado del Producto.
  - c. Daño o pérdida causada por los sedimentos o material extraña contenida en un sistema de agua.
  - d. Daño o pérdida causada por una mala instalación o por la instalación del Producto en un ambiente duro y/o peligroso, o una remoción, reparación o modificación inadecuada del Producto. (NOTA: Los códigos de modelo del producto permiten un máximo de 80 PSI. Revise los códigos locales o las normas de requisitos.)
  - e. Daño o pérdida causada por sobrecargas eléctricas o rayos u otros actos que no sea responsabilidad de TOTO o que el Producto no esté especificado para tolerar.
  - f. Daño o pérdida causada por el uso normal y personalizado, tal como reducción del brillo, rayado o pérdida de color en el tiempo debido al uso, prácticas de limpieza o condiciones del agua o atmosféricas.
  - g. Mecanismos de funcionamiento del tanque de plástico o de goma piezas móviles.
  - h. Asientos del inodoro de plástico, madera o metal.
4. Para que esta garantía limitada sea válida, prueba de compra es necesaria. TOTO anima el registro de la garantía sobre compra para cree un archivo de la propiedad del producto en <http://www.totousa.com>. El registro del producto es totalmente voluntario y la falta a registrar no disminuirá sus derechos de garantía limitada.
5. ESTA GARANTÍA LE DA DERECHOS LEGALES ESPECÍFICOS. USTED PODRÍA TENER OTROS DERECHOS QUE PUEDEN VARIAR DEPENDIENDO DEL ESTADO O PROVINCIA EN EL QUE SE ENCUENTRE.
6. Para obtener el servicio de reparación de esta garantía, debe llevar el Producto o enviarlo prepagado a un módulo de servicios TOTO junto con la prueba de compra (recibo de compra original) y una carta en la que plantee el problema, o póngase en contacto con un distribuidor TOTO o el contratista de servicio de los productos, o escriba directamente a TOTO U.S.A., INC., 1155 Southern Road, Morrow, GA 30260 (678) 466-1300 o (888) 295-8134, si fuera de los E.E.U.U. Si, debido al tamaño del producto o naturaleza del defecto, el Producto no puede ser devuelto a TOTO, la recepción en TOTO del aviso escrito del defecto junto con la prueba de compra (recibo de compra original) constituirá el envío. En tal caso, TOTO podrá escoger entre reparar el Producto en el domicilio del comprador o pagar el transporte del Producto a un módulo de servicio.

**ADVERTENCIA!** TOTO no será responsable de fallas o daños ocasionados en este producto de plomería o componente del producto causados por cloraminas en el tratamiento del suministro de agua público o en los limpiadores en el recipiente del tanque que contengan cloro (hipoclorito de calcio). Nota: el uso de cloro en alta concentración o productos derivados del cloro puede dañar seriamente los accesorios. Este daño puede ocasionar fugas y daños graves en la propiedad. Para obtener más información, llámenos al (888) 295-8134.

ESTA GARANTÍA ESCRITA ES LA ÚNICA GARANTÍA HECHA POR TOTO. LA REPARACIÓN, CAMBIO U OTRO AJUSTE ADECUADO, TAL COMO APARECE EN ESTA GARANTÍA, SERÁ EL ÚNICO REMEDIO DISPONIBLE PARA EL COMPRADOR ORIGINAL. TOTO NO SERÁ RESPONSABLE POR LA PÉRDIDA DEL PRODUCTO O POR CUALQUIER OTRO DAÑO ACCIDENTAL, ESPECIAL O CONSECUENTE O POR DAÑOS INCURRIDOS POR EL COMPRADOR ORIGINAL, O POR LA MANO DE OBRA U OTROS COSTOS RELACIONADOS CON LA INSTALACIÓN O REMOCIÓN, O COSTOS DE REPARACIONES HECHAS POR OTROS, O POR CUALQUIER OTRO GASTO NO INDICADO DE MANERA ESPECÍFICA EN LOS PÁRRAFOS ANTERIORES. EN NINGÚN CASO LA RESPONSABILIDAD DE TOTO EXCEDERÁ EL PRECIO DE COMPRA DEL PRODUCTO. EXCEPTO EN LA MEDIDA EN QUE QUEDE PROHIBIDO POR LA LEY APLICABLE, TODA GARANTÍA IMPLÍCITA, INCLUYENDO AQUELLAS DE COMERCIABILIDAD O IDONEIDAD DE USO PARA EL USO O PARA UN PROPÓSITO PARTICULAR, ESTÁ EXPRESAMENTE PROHIBIDA. ALGUNOS ESTADOS NO PERMITEN LAS LIMITACIONES ACERCA DE LA DURACIÓN DE UNA GARANTÍA TÁCITA, O LA EXCLUSIÓN O LIMITACIÓN DE DAÑOS INCIDENTALES O CONSECUENTES, POR LO QUE LA LIMITACIÓN E INCLUSIÓN ANTERIORES PUEDEN NO APLICAR A USTED.

## TABLE DES MATIÈRES

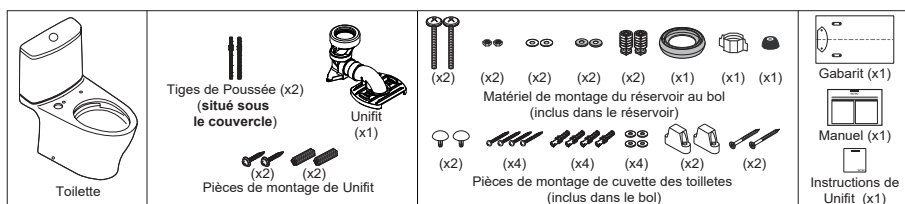
|  |    |
|--|----|
| Merci d'avoir choisi TOTO!                       | 22 |
| Pièces incluses                                  | 22 |
| Outils nécessaires                               | 22 |
| Avant l'installation                             | 23 |
| Procédure d'installation                         | 24 |
| Entretien et nettoyage                           | 27 |
| Remplacement de la valve de remplissage          | 28 |
| Réglage du niveau d'eau                          | 28 |
| Instructions d'entretien de valve de remplissage | 29 |
| Instructions d'entretien de valve de chasse      | 30 |
| Instructions de Nettoyage CEFIONTECT®            | 30 |
| Garantie   | 31 |

## MERCI D'AVOIR CHOISI TOTO!

La mission de TOTO est d'offrir au monde entier un style de vie sain, hygiénique et plus confortable. Comme principe de base, nous concevons chaque produit avec un équilibre entre la forme et la fonction. Félicitations pour votre choix.

## PIÈCES INCLUSES

Assurez-vous que vous avez toutes ces pièces dans l'emballage\* :



\* Le produit réel peut varier en apparence en fonction du modèle.

## OUTILS NÉCESSAIRES

- 10" clé ajustable
- Niveau de charpentier
- Scie à métaux
- Mètre à ruban
- Pincettes manuelles
- Tournevis plat
- Tournevis Phillips
- Crayon
- Couteau à mastiquer
- Perceuse
- Mèche (bloc de montage)
  - Pour l'installation de plancher en bois :
    - 1/8" mèche
  - Pour l'installation de béton / carreaux :
    - 5/16" mèche

### MATÉRIEL REQUIS :

(non inclus)

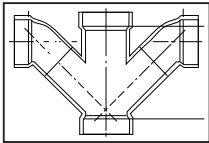
- Tuyau flexible d'alimentation
- Valve d'arrêt d'angle
- Anneau de cire

## AVANT L'INSTALLATION

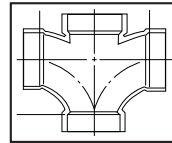
- Lisez attentivement ces instructions avant toute installation.
- Veuillez mettre ces instructions à la disposition des clients. Ces instructions contiennent des informations relatives à l'entretien et à la garantie.
- Si nécessaire, retirez l'ancien WC et si construction nouvelle, purgez la conduite d'alimentation.

### AVIS

En raison de la performance de nos puissants Tornado, G-Max, E-Max et la puissance de pesanteur des chasses d'eau, ils ne sont pas spécifiés pour les installations consécutives. Le seul moyen d'installer ces toilettes de manière consécutives est lorsque les connexions du drain de toilette ont un raccord WYE. Veuillez contacter votre constructeur ou l'entrepreneur avant cette installation.



Combinaison Double WYE / 1/8 Coude  
**OUI**

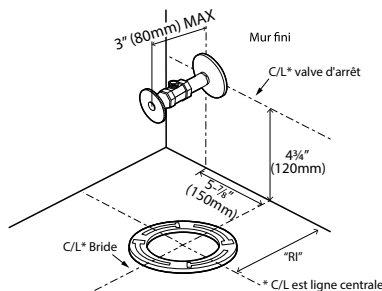


Double Sanitaires T / Croix Sanitaire-  
**NON**

### Valve d'arrêt alimentation d'eau recommandations d'installation

Suivez ces recommandations pour assurer une installation optimale et sans problème avec un aspect soigné et professionnel.

|   |  |
|---|--|
| <b>Emplacement</b><br>(Du plancher et à gauche du centre de la bride de plancher) | 4-3/4" x 5-7/8" (120mm x 150mm)  |
| <b>Type de valve</b>  | Valve d'arrêt d'angle avec raccord d'alimentation orienté vers le haut, vers l'intérieur ou vers le bas<br><b>AVIS :</b> Une valve d'arrêt d'angle ou une valve avec raccord d'alimentation à l'avant de la valve d'arrêt n'est pas recommandée. |
| <b>Longueur maximale</b>  | Valve d'arrêt doit dépasser de moins de 3 po (80mm) du mur   |



## PROCÉDURE D'INSTALLATION

1. Ouvrir le paquet de Unifit. Suivez ses instructions d'installation pour terminer l'installation de l'Unifit (ill. 1).
2. Placez le modèle en place et suivez ses instructions pour préparer l'installation de la cuvette des toilettes.

### AVIS

Ne pas bouger la cuvette après avoir fixé le joint en caoutchouc. Si cet avis n'est pas pris en compte, alors jetez l'anneau de cire et la remplacez par une nouvelle anneau de cire.

3. Placez la cuvette des toilettes sur l'Unifit et les deux blocs de montage afin que la sortie de la cuvette des toilettes et l'ouverture de l'Unifit soient alignées. (ill.2).

### AVIS

Insérez complètement la cuvette des toilettes. Si cet avis n'est pas pris en compte, alors, il peut y avoir des fuites.

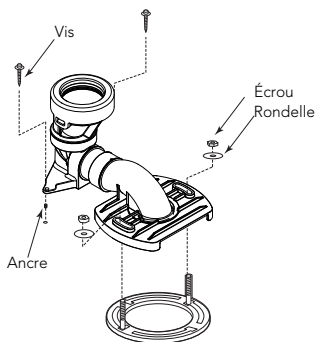
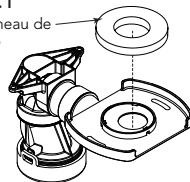
### AVIS

Vérifiez le basculement. Si nécessaire, utilisez des cales pour empêcher les toilettes de basculer.

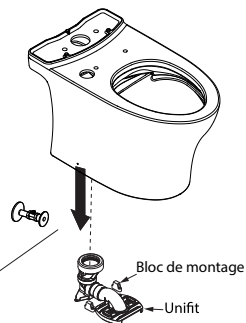
4. Alignez les toilettes perpendiculairement à la mur arrière et parallèlement aux murs latéraux; il ne doit pas être tordu ou diagonal (ill. 3).

ill. 1

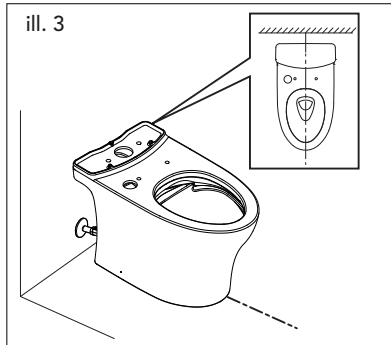
Anneau de cire



ill.2



ill. 3





## PROCÉDURE D'INSTALLATION

5. Installez les vis latérales à les blocs de montage. Couvrir les têtes de vis avec les bouchons fournis (ill. 4).
6. Installez les pièces de montage de réservoir-à-cuvette à la réservoir (ill. 5).

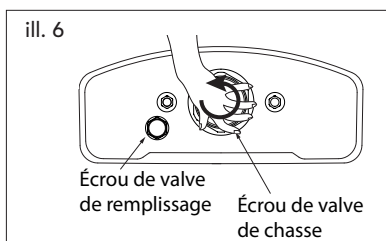
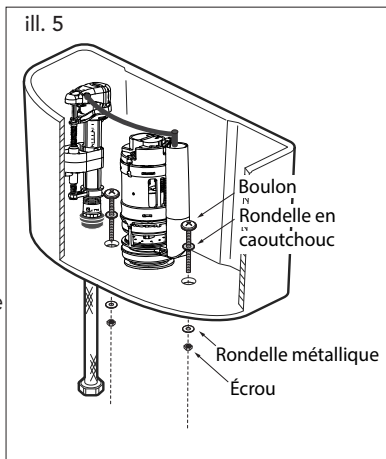
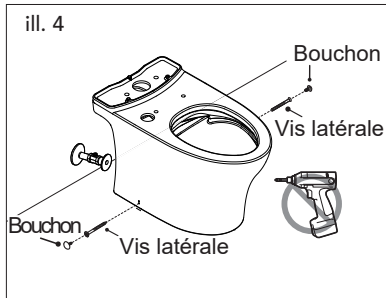
**⚠ PRUDENCE** NE PAS trop serrer les pièces, il pourrait casser la porcelaine et causer des blessures ou des dommages matériels.

7. Placez le réservoir à l'envers sur un rembourrage. Inspecter l'écrou de la valve de remplissage (petit) et l'écrou de la valve de chasse (grand) pour une connexion sécurisée (ill. 6). Essayez de serrer les noix avec vos mains. En cas de desserrage, serrer l'écrou à la main et un quart de tour supplémentaire pour l'écrou de la valve de remplissage (petit) et un demi-tour supplémentaire pour l'écrou de tour (grand).

**AVIS** Assurez-vous que la valve de remplissage ne tourne pas de sorte qu'elle heurte pas le réservoir pendant que vous le serrez.

8. Connectez le tuyau d'alimentation d'eau (non fourni) à la valve de remplissage (ill. 5).

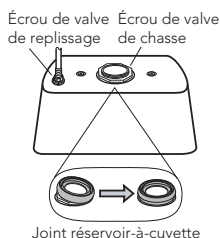
**AVIS** Le tuyau d'alimentation en eau doit être raccordé à la valve de remplissage AVANT l'installation du réservoir dans la cuvette. TOTO recommande d'utiliser un flexible d'alimentation plus long.



## PROCÉDURE D'INSTALLATION

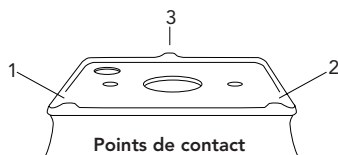
9. Placez le joint réservoir-à-cuvette sur l'écrou de la valve de chasse. Appuyez sur et étaler le joint sur l'écrou jusqu'à ce que le joint d'étanchéité fixe dans le filetage de l'écrou. Un léger écart entre le fond du réservoir et le joint est normal. **AVIS:** Assurez-vous que le joint est fixé par le filetage de l'écrou.

ill. 7



10. Soulevez soigneusement le réservoir et guidez le tuyau d'alimentation en eau par-dessus le trou de la valve de remplissage, et alignez le joint du réservoir-à-cuvette sur le trou d'entrée du cuvette, et boulons de réservoir sur le trous de cuvette.

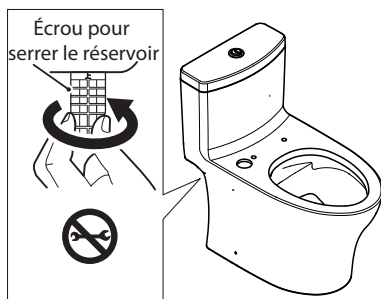
ill. 8



11. Utilisez les écrous pour serrer le réservoir fournis pour serrer uniformément jusqu'à ce que le réservoir ait TROIS POINTS DE CONTACT avec la cuvette (ill. 8).

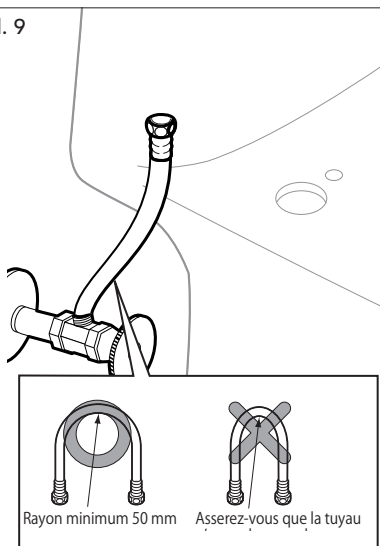
### **PRUDENCE**

NE PAS trop serrer les boulons, il pourrait casser la porcelaine et causer des blessures ou des dommages matériels



12. Installez la tuyau d'alimentation à valve arrêt d'angle (ill. 9). Assurez-vous que la tuyau n'a pas des nœuds.

ill. 9

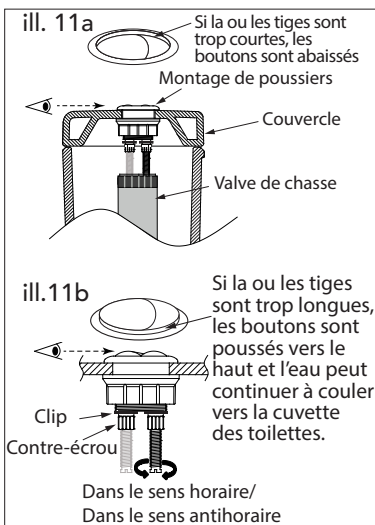
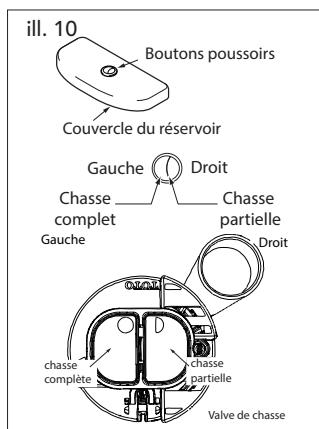


## PROCÉDURE D'INSTALLATION

13. Sur la face inférieure du couvercle du réservoir, retirez les 2 tiges avec contre-écrous et vissez-les dans le sens des aiguilles d'une montre sur l'ensemble de bouton-poussoir. Placez le couvercle sur le dessus du réservoir, en vous assurant que le bouton-poussoir de rinçage complet est sur le côté gauche (ill 10).
14. Ajustez la longueur des tiges. Si les tiges des boutons-poussoirs sont trop courtes (voir ill. 11a), les boutons-poussoirs ne s'asseoiront pas correctement et la chasse d'eau des toilettes pourrait être courte. Si les tiges du bouton-poussoir sont trop longues (voir ill. 11b), le bouton-poussoir peut activer en continu la vanne de chasse.

Corrigez avec les étapes suivantes:

1. Desserrez les contre-écrous dans le sens antihoraire.
  2. Tournez les tiges dans le sens horaire pour raccourcir, dans le sens antihoraire pour allonger (chaque tour complet est de 1 mm).
  3. Placez le couvercle sur le réservoir pour vérifier le réglage.
  4. Lorsque le réglage est terminé, serrez le contre-écrou pour le fixer.
15. Ouvrir l'alimentation en eau à la valve d'angle. Vérifiez TOUTES les connexions pour les fuites. Corrigez au besoin.
16. Installez le siège de toilette avec le matériel de montage du siège selon les instructions d'installation du siège.



## ENTRETIEN ET NETTOYAGE

Utilisez un détergent ou un nettoyant pour toilettes non abrasif et une brosse en plastique à poils doux pour nettoyer les toilettes. Pour enlever les taches d'eau dure, utiliser un nettoyant dissolvant au vinaigre ou à la chaux et un tampon à récurer non abrasif pour la porcelaine. Laissez un peu de temps de contact pour permettre au nettoyant de dissoudre l'accumulation.



### AVIS

**NE PAS UTILISER DE NETTOYANT DE CUVETTE DANS LE RESERVOIR.**

L'utilisation de concentration élevée de chlore ou de produits à base de chlore peut sérieusement endommager les raccords dans le réservoir. Ces dommages peuvent causer des fuites et des dommages matériels. TOTO ne peut être tenu responsable ou redevable pour toute défaillance des raccords du réservoir ou tout dommages causés par l'utilisation de nettoyants de cuvettes dans le réservoir.

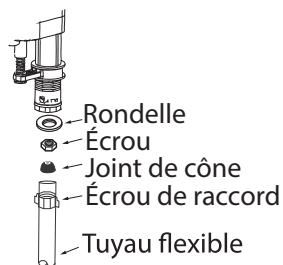
## REPLACEMENT DE LA VALVE DE REMPLISSAGE

1. Fermez l'alimentation en eau. Chassez les toilettes et retirez toute l'eau restante du réservoir. Inversez les instructions d'installation du réservoir pour l'enlever du bol. Retirez le vieux valve de remplissage.
2. Installez la nouvelle valve de remplissage en faisant glisser la partie fileté de l'arbre à travers le trou dans le fond du réservoir.
3. Visser l'écrou de montage sur l'arbre exposé sous le réservoir et serrer l'écrou.

**⚠ PRUDENCE** Ne pas trop serrer.

4. Raccordez l'alimentation en eau (voir ill. 1). Pâte lubrifiante n'est pas recommandé. Fixez le tube de recharge à la valve et attachez l'autre extrémité au tuyau de trop-plein.

ill. 1



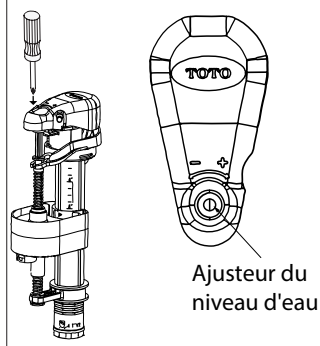
FRANÇAIS

## RÉGLAGE DE NIVEAU D'EAU

Reportez-vous à la marque indiquant le niveau d'eau à l'intérieur du réservoir.

1. Le réglage du niveau d'eau est situé à l'extrémité supérieure de la valve de remplissage. Utilisez un tournevis plat pour effectuer les réglages.
  - Pour augmenter le niveau d'eau: tournez le tournevis dans le sens des aiguilles d'une montre, ou vers l'indicateur «+».
  - Pour abaisser le niveau d'eau: tournez le tournevis dans le sens contraire des aiguilles d'une montre ou vers le repère «-».
2. Chasser les toilettes après chaque réglage pour vérifier le niveau d'eau. Lorsque vous êtes satisfait du niveau d'eau, rincez une fois de plus pour vérifier.

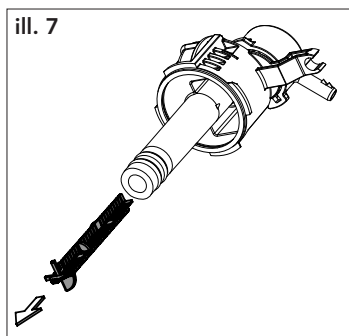
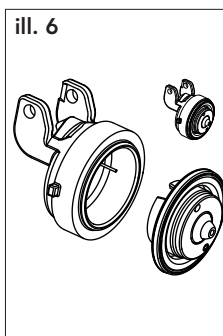
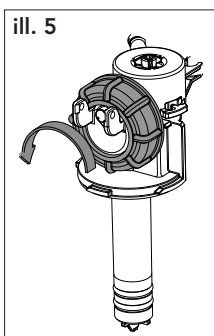
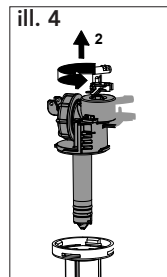
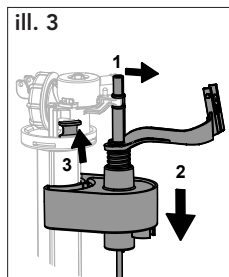
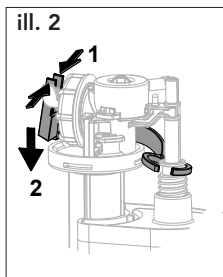
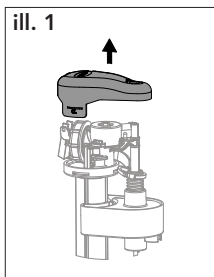
ill. 1



## INSTRUCTIONS D'ENTRETIEN DE VALVE DE REMPLISSAGE

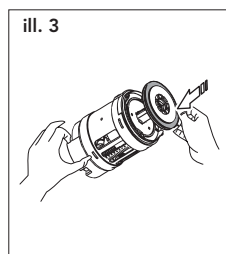
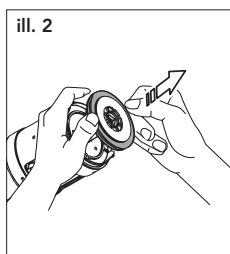
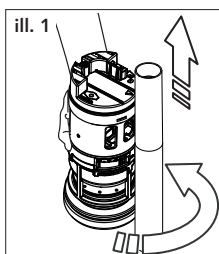
REMARQUE : En raison des conditions d'eau dans votre région, le filtre peut nécessiter un nettoyage périodique. Les indicateurs indiquant que le filtre nécessite un entretien comprennent un cycle de remplissage retardé, un cycle de remplissage intermittent ou une quantité d'eau insuffisante provenant du tube de remplissage.

1. Décrochez le couvercle supérieur en tirant sous l'onglet (voir ill. 1).
2. Pincez les onglets du bras de levier pour permettre son retrait (voir ill. 2).
3. Décrochez la tige réglable du support **(1)** en laissant glisser l'appareil vers le bas et retirez la languette de retenue en tirant comme indiqué par la flèche **(3)** (voir ill. 3).
4. En tenant le valve avec une main, tourner le couvercle d'1/4 de tour dans le sens inverse des aiguilles d'une montre et l'enlever (voir ill. 4).
5. Dévissez l'écrou du logement du diaphragme (voir ill. 5).
6. Retirez le diaphragme tirant délicatement le bord du diaphragme (voir ill. 6). Notez la position du diaphragme pendant le retrait.
7. Retirez le filtre avec des pinces à bec effilé (voir ill. 7). Utilisez le mouvement de torsion tout en tirant pour aider à l'enlèvement.
8. Rincez toutes les pièces à l'eau courante pour éliminer les débris, les résidus ou les films. Réinstallez toutes les pièces dans l'ordre inverse. Allumez l'eau et vérifiez les fuites et le fonctionnement.



## INSTRUCTIONS D'ENTRETIEN DE VALVULA DE CHASSE

1. Arrêtez l'alimentation d'eau et déchargez les toilettes.
2. Déposez le couvercle du réservoir et posez-le à l'envers sur une surface propre.
3. Notez l'orientation de la valve de chasse pour le remontage.
4. Tournez la moitié supérieure de la valve de chasse dans le sens antihoraire et tirez vers le haut pour la retirer (voir ill. 1).
5. Déposez le joint d'étanchéité en caoutchouc et rincez à l'eau courante pour nettoyer. (voir ill.2)
6. Remplacez le joint sur le valve de chasse (voir ill. 3).
7. Réinstallez le valve de chasse sur sa base.
8. Tournez le valvula de chasse de sorte que le bouton de chasse partiellement soit à droite et que le bouton de chasse soit à gauche.
9. Reposez avec précaution le couvercle du réservoir sur le réservoir.
10. Déchargez les toilettes d'eau plusieurs fois pour vous assurer que le levier de déclenchement fonctionne normalement. Assurez-vous qu'il n'y a pas de fuites.



## INSTRUCTIONS DE NETTOYAGE CEFIONTECT®



### QU'EST-CE QUE CEFIONTECT®?

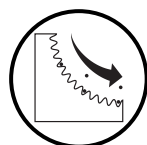
CEFIONTECT® est la glacer permanente ultra-lisse de TOTO qui empêche les débris de coller aux surfaces. Les produits avec la lettre «G» dans le numéro ont la glacer CEFIONTECT®. Cet émail, associé à un nettoyage régulier, aidera à garder votre produit TOTO en parfait état.

### REMARQUE:

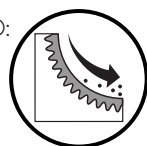
Pour un nettoyage régulier de votre produit TOTO avec CEFIONTECT®:

- Lavabo: utilisez un détergent à vaisselle et un chiffon doux.
- Toilette: utilisez un nettoyant à base de gel et une brosse en plastique à poils doux.
- **N'utilisez** pas de nettoyeurs, de poudres à polir ou de détergents contenant des particules granuleuses ou grossières.
- **N'utilisez** pas d'eau de Javel, de diluants chimiques ou de produits contenant des détergents acides ou alcalins dans leurs ingrédients.
- **N'utilisez** pas de brosses à récurer métalliques ou de laine d'acier.

Le respect de ces instructions de nettoyage, vous assurerez que le glacer CEFIONTECT® de votre produit TOTO reste intact, le gardant beau pendant de nombreuses années.



Pas de CEFIONTECT®



Avec CEFIONTECT®



## GARANTIE

1. TOTO® garantit sa vitreous china produits contre tout défaut de matériau et de fabrication pendant l'utilisation normale, lorsqu'elle est correctement installée et maintenue pour une période de une (1) ans à dater de l'achat. La présente garantie limitée ne peut être prolongée que pour le seul ACHETEUR D'ORIGINE de l'appareil et n'est pas transférable à un tiers, y compris mais pas limité à tout acheteur ou propriétaire subséquent du produit. Cette garantie n'est applicable qu'aux produits achetés et installés en Amérique du Nord, Centrale, Latine, et du Sud.
2. Les obligations de TOTO selon les termes de cette garantie sont limitées à la réparation, remplacement ou autre ajustement en conséquence, au choix de TOTO, des produits ou des pièces défectueuses en service normal, pourvu qu'un tel produit ait été installé, utilisé et entretenu conformément aux instructions. TOTO se réserve le droit d'effectuer ce genre de vérifications en cas de nécessité afin de déterminer la cause du défaut. TOTO ne facturera pas les interventions ou les pièces relatives à la réparation et au remplacement sous garantie. TOTO n'est pas responsable du coût de désinstallation, de renvoi et/ou de réinstallation de l'appareil.
3. La garantie ne s'applique pas dans les cas suivants:
  - a. Dommages ou perte suite à une cause naturelle telle que incendie, tremblement de terre, inondation, tonnerre, orage etc.
  - b. Dommages ou perte causés par tout accident, utilisation non adaptée, un abus, une négligence ou un mauvais traitement, nettoyage ou entretien de l'appareil.
  - c. Dommages ou perte causé par des sédiments ou tout autre corps étranger contenus dans un réseau d'alimentation en eau.
  - d. Dommages ou perte suite à une mauvaise installation ou à l'installation de l'appareil dans un environnement rude et/ou dangereux ou une mauvaise désinstallation, réparation ou m. (REMARQUE: Les codes de modèle du produit permet un maximum de 80 PSI. Vérifiez les codes locaux ou des normes pour les besoins).
  - e. Dommages ou perte suite à des surtensions, foudres ou tous autres actes qui ne sont pas la responsabilité de TOTO, ou actes stipulés non supportables par le produit.
  - f. Dommages ou perte résultant d'une usure normale et habituelle, telle que la diminution du lustre, grattage ou décoloration avec le temps, habitude de nettoyage, l'eau, ou des conditions atmosphériques.
  - g. Mécanismes de chasse d'eau du réservoir en plastique ou en caoutchouc pièces en mouvement..
  - h. Les sièges des toilettes en plastique, en bois ou en métal.
4. Pour que la garantie limitée soit valable, la preuve d'achat est exigée. TOTO vous encourage à enregistrer votre produit après l'achat pour créer un record de propriété, cela peut être fait au site <http://www.totousa.com>. L'enregistrement du produit est complètement volontaire et à défaut de l'enregistrement ne va pas limiter votre droit au garantie limitée.
5. CETTE GARANTIE DONNE DES DROITS SPÉCIFIQUES. IL EST POSSIBLE QUE L'ACHETEUR AIT D'AUTRES DROITS QUI VARIENT D'UN ÉTAT À UN AUTRE OU D'UNE PROVINCE À L'AUTRE.
6. Pour obtenir une réparation selon les termes de cette garantie, l'acheteur doit livrer à un centre de réparation de TOTO port payé avec preuve d'achat (reçu de caisse original), et une lettre expliquant le problème, ou contacter un distributeur de TOTO ou un entrepreneur de réparation du produit ou écrire directement à TOTO U.S.A., INC., Southern Road, Morrow, Géorgie 30260, (678) 466-1300 ou appelé (888) 295-8134, si en dehors de L'Etat Unis. Si, à cause de la taille du produit ou de la nature du défaut, il n'est pas possible de renvoyer le produit à TOTO, la réception par TOTO d'un avis écrit du défaut avec preuve d'achat (reçu de caisse original) constitue livraison. Dans un tel cas, TOTO peut choisir de réparer le produit chez l'acheteur ou de payer le transport du produit à un centre de réparation.

ATTENTION! TOTO décline toute responsabilité quant aux panes ou aux dommages causés sur ce produit de plomberie ou composant du produit par la chloramine contenue dans le traitement de l'alimentation en eau publique ou dans les produits d'entretien pour réservoirs des toilettes contenant du chlore (hypochlorite de calcium). Remarque : l'utilisation d'une forte concentration de chlore ou de produits à base de chlore risque d'endommager sérieusement la tuyauterie. Ces dommages peuvent provoquer des fuites et des dégâts des eaux. Pour plus d'informations, contactez-nous au (888) 295-8134.

CETTE GARANTIE ÉCRITE EST LA SEULE GARANTIE FAITE PAR TOTO. LA RÉPARATION, LE REMPLACEMENT OU TOUT AUTRE AJUSTEMENT APPROPRIÉ SELON LES TERMES DE CETTE GARANTIE EST LE SEUL RECOURS DE L'ACHETEUR INITIAL. TOTO N'EST PAS RESPONSABLE DE LA PERTE DU PRODUIT OU DE TOUT AUTRE DOMMAGE INDIRECT, SPÉCIAL OU SECONDAIRE OU DES DÉPENSES ENCOURUES PAR L'ACHETEUR INITIAL NI DE LA MAIN-D'OEUVRE OU AUTRES FRAIS ASSOCIÉS À L'INSTALLATION OU LA MANIPULATION, OU LES FRAIS DE RÉPARATION PAR DES TIERS, NI POUR TOUS AUTRES FRAIS PAS SPÉCIFIQUEMENT MENTIONNÉS. EN AUCUN CAS, LA RESPONSABILITÉ DE TOTO NE PEUT DÉPASSER LE PRIX D'ACHAT DU PRODUIT. SAUF QUAND INTERDITE PAR UNE LOI APPLICABLE, TOUTE GARANTIE SOUS-ENTENDUE, Y COMPRIS CELLE DE VENDABILITÉ OU D'APPLICATION POUR UN USAGE PARTICULIER, EST EXPRESSÉMENT REJETÉ. CERTAINES PAYS NE PERMETTENT PAS LA LIMITATION DE LA LONGUEUR D'UNE GARANTIE SOUS-ENTENDUE, OU L'EXCLUSION OU LA LIMITATION DES DOMMAGES INDIRECTS OU SECONDAIRES, IL EST DONC POSSIBLE QUE CETTE LIMITATION ET EXCLUSION NE S'APPLIQUE PAS À VOTRE CAS.

# TOTO

TOTO U.S.A., Inc. 1155 Southern Road,  
Morrow, Georgia 30260

Tel: 888-295-8134 Fax: 800-699-4889

[www.totousa.com](http://www.totousa.com)

0GU179-4

Rev Date: 6/22



## Warranty Registration and Inquiry

For product warranty registration, TOTO U.S.A. Inc. recommends online warranty registration. Please visit our web site <http://www.totousa.com>. If you have questions regarding warranty policy or coverage, please contact TOTO U.S.A. Inc., Customer Service Department, 1155 Southern Road, Morrow, GA 30260 (888) 295-8134 or (678) 466-1300 when calling from outside of U.S.A.