

UltraMax® 1G® WASHLET®+ S550e One-Piece Toilet - 1.0 and 0.8 GPF

FEATURES

- Concealed supply connection for seamless installation
- DYNAMAX TORNADO FLUSH® utilizes 360° cleaning power to reach every part of the bowl
- Ultra high-efficiency dual flush 1.0 & 0.8 GPF (3.8 & 3.0 LPF)
- CEFIONTECT® ceramic glaze prevents debris and mold from sticking to ceramic surfaces
- Design of the bowl reduces water flow resistance resulting in a quieter flushing sound
- 12" Rough-in
- Chrome plated trip lever
- Elongated front bowl and WASHLET+ S550e and tank set
- EWATER+® auto-cleans wand and bowl
- On-demand remote function cleans wand with EWATER+
- PREMIST of bowl before each use
- Remote control operated
- Auto Flush available as upgrade
- Auto Open / Close Lid
- Night light
- Semi-concealed trapway



MODELS & COMPONENTS

- **MW8563056CUMGA (#01)**
With CEFIONTECT ceramic glaze, WASHLET+ S550e with contemporary design and Auto Flush
 - **CST856CUMGAT40**
Elongated bowl with CEFIONTECT
 - **SW3056AT40**
WASHLET+ S550e
 - **THU765**
Auto Flush Kit
 - **MW8563056CUMG (#01)**
Same as MW8563056CUMGA without Auto Flush
 - **CST856CUMGAT40**
Elongated bowl with CEFIONTECT
 - **SW3056AT40**
WASHLET+ S550e
- Optional Components**
- **THU773(#01, #PN, #BN)-A**
Trip Lever - Cotton, Polished Nickel, Brushed Nickel

COLORS/FINISHES

- #01 Cotton

- 1G One Gallon Per Flush
- EWATER+
- DYNAMAX TORNADO FLUSH
- Auto Flush
- CEFIONTECT

PRODUCT SPECIFICATION

The one-piece ultra high-efficiency DYNAMAX TORNADO FLUSH toilet shall be dual flush 1.0 GPF/0.8 GPF. Toilet shall be 12" rough-in. Toilet shall have CEFIONTECT ceramic glaze. Toilet shall have elongated front bowl and Polished Chrome trip lever. Toilet shall be TOTO Model MW8563056CUMG____.

See SW3056AT40 Specification Sheet for details on included WASHLET.

CODES/STANDARDS

- Meets and exceeds ASME A112.19.2/CSA B45.1, ASME A112.19.14
- Certifications: IAPMO(cUPC®), EPA WaterSense, State of Massachusetts, and others
- Code Compliance: UPC, IPC, NSPC, NPC Canada, and others
- Legislative Compliance: California Green Building Code, City of Los Angeles Water Efficiency Ordinance, and others
- Complies with CA Prop 65 warning requirements



MW8563056CUMG(A)

UltraMax® 1G® WASHLET®+ S550e One-Piece Toilet - 1.0 and 0.8 GPF

SPECIFICATIONS

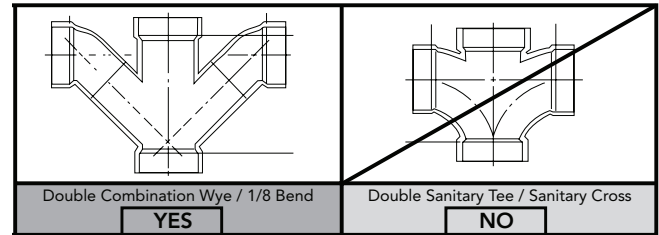
Water Use	1.0 & 0.8 GPF (3.8 & 3.0 LPF)
Flush System	DYNAMAX TORNADO FLUSH®
Min. Water Pressure	8 psi (Flowing)
Water Surface	5-5/8" x 4-1/8"
Trap Diameter	2-1/2"
Rough-in	12"
Trap Seal	2-1/8"
Warranty	One Year Limited Warranty
Material	Vitreous China
Shipping Weight	105 lbs.
Shipping Dimensions	29-1/4"L x 19-1/4"W x 19-3/4"H1, 27"H2

See SW3056AT40 Specification Sheet for details on included WASHLET.

INSTALLATION NOTES

Back-to-Back Toilet Installations:

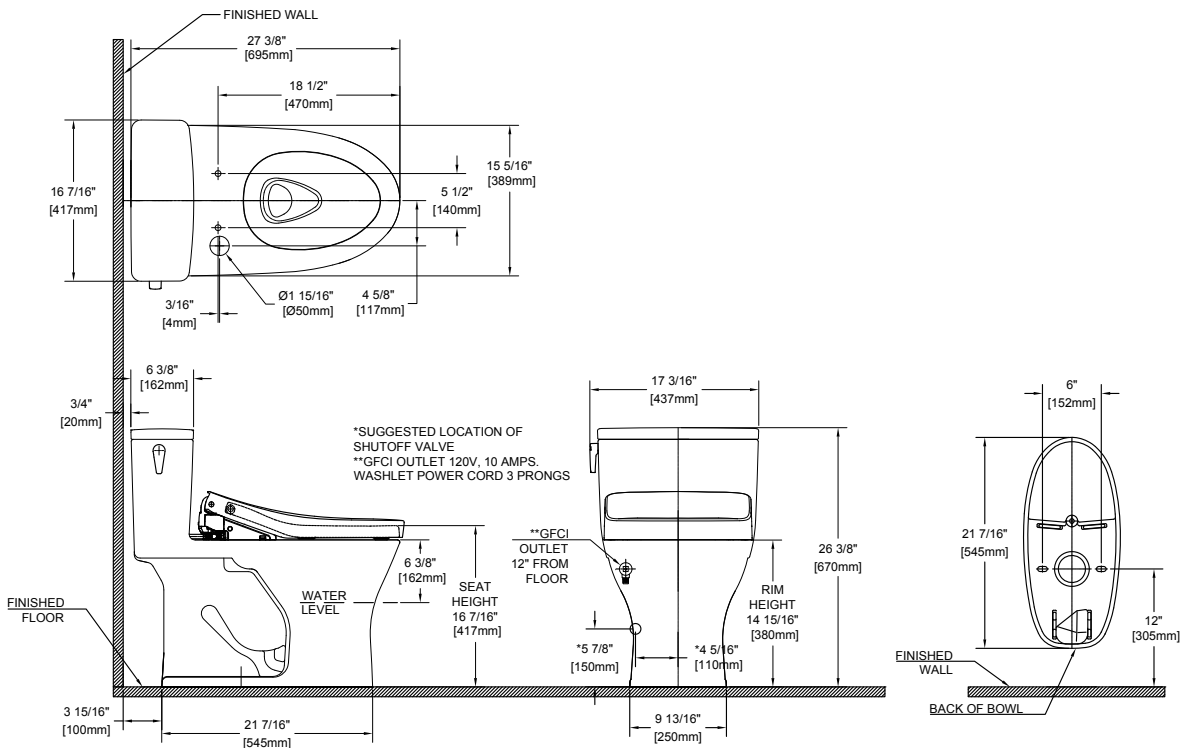
TOTO recommends the use of a nationally listed, double sanitary tee-wye only, in vertical waste stacks, in accordance with the stipulations noted in the majority of nationally recognized plumbing codes.



To maintain adequate wall gap between the back of the tank and wall, mount the floor flange at a nominal 12" rough-in distance.

Ultra-low high efficiency toilets require a system with adequate supplemental flows from other water usage fixtures and a 4" ID drainline with minimum 2% slope and maximum linear runs of 60ft. Fixture Dimensions shown are nominal.

DIMENSIONS



TOTO®

These dimensions and specifications are subject to change without notice

Ph: (888) 295-8134 | Fax: (800) 699-4889 | www.totousa.com | © TOTO USA

SS-01569 v.01

WASHLET®+ S550e – Contemporary

FEATURES

- Concealed supply connection for seamless installation
- Auto Flush enabled when installed with compatible toilet model and Auto Flush kit
- Gentle Aerated, Warm Water, Dual Action Spray with oscillating and pulsating feature
- Adjustable water temperature and volume
- Instant water heating system for continuous warm water and energy saving
- Warm air drying with five variable temperature settings
- Automatic air deodorizer
- Convenient slim wireless remote, with illuminated touch pad.
- 2 saved user settings
- Auto Open / Close lid
- Docking station for easy cleaning and installation
- Heated Seat with Temperature Control
- EWATER+® auto-cleans wand and bowl
- On-demand remote function cleans wand with EWATER+
- Water PREMIST of bowl before each use
- Night light

MODELS

- SW3056AT40 - Contemporary Design

COLORS/FINISHES

- #01 Cotton

PRODUCT SPECIFICATION

Seat shall have gentle aerated, warm water, dual action spray with cycling movement and massage feature. Seat shall have adjustable water temperature and volume. Seat shall have warm air drying with five variable temperature settings. Seat shall have automatic air deodorizer. Seat shall include wireless remote control. Seat shall be solid plastic with closed front seat and cover. Seat shall include power cord, and water supply hoses. EWATER+ cleans the bowl and wand. Seat shall have auto open/close lid. Seat shall have night light. Seat shall be model # SW3056AT40.



WASHLET



EWATER+



PREMIST



Auto Flush

CODES/STANDARDS

- Meets and exceeds ASME A112.4.2, ASME A112.18.1/CSA B125.1, UL 1431, CSA C22.2 #68
- Certifications: IAPMO(cUPC), State of Massachusetts, City of Los Angeles and others
- Code Compliance: UPC, IPC, NSPC, NPC Canada, and others
- Complies with CA Prop 65 warning requirements



SW3056AT40

WASHLET+ S550e – Contemporary

SPECIFICATIONS

Power Rating	AC 120 V 60 Hz
Power Consumption	1288W
Max Power Consumption	1444W
Power Cord Length	3.94 ft (1.2 m)
Spray Volume	Rear Cleansing: 0.08 – 0.11 gal/min Rear Soft Cleansing: 0.08 – 0.11 gal/min Front Cleansing: 0.08 – 0.11 gal/min Wide Front Cleansing: 0.08 – 0.11 gal/min
Spray Features	Adjustable Surface Temp: 86 – 104 °F (30 – 40 °C) Safety Device: Temperature Fuse
Warm Air Dryer Features	Adjustable Air Temp: 95 – 140 °F (35 – 60 °C) Airflow Volume: 10.24 ft ³ /min (0.29 m ³ /min) Safety Device: Temperature Fuse
Heated Seat Features	Adjustable Surface Temp: 82 – 97 °F (28 – 36 °C) Safety Device: Temperature Fuse
Water Supply Pressure	Minimum: 7.25 PSI (Dynamic) Maximum: 108.75 PSI (Static)
Ambient Temp.	32 – 104 °F (0 – 40 °C)
Warranty	One Year Limited Warranty
Shipping Weight	SW3056AT40: 16.3 lbs
Shipping Dimensions	SW3056AT40: 23-3/4"L x 17"W x 9-1/2"H

INSTALLATION NOTES

- WASHLET+ S550e is designed to fit TOTO WASHLET+ bowls only
- If possible, with your order, please include your model number (from the underside of the tank lid).
- It is highly recommended to use a surge protector to prevent damage in the event of a power surge.
- For use with potable water only. Do not use with recycled water.
- Warning: Rated power consumption 1288W

DIMENSIONS

