

FEATURES

- Gentle Aerated, Warm Water, Dual Action Spray with oscillating feature
- Adjustable water temperature and volume
- Warm air drying with five variable temperature settings
- Automatic air deodorizer
- Convenient arm control panel
- Docking Station Easy to Install and Clean
- Heated Seat with Temperature Control
- Water PREMIST of bowl before each use

MODELS

- SW2034 - Elongated front
- SW2033R - Round front

COLORS/FINISHES

- Standard
- #01 Cotton
- #12 Sedona Beige

PRODUCT SPECIFICATION

Seat shall be model # SW2033R or SW2034_____

Seat shall have gentle aerated, warm water, dual action spray with cycling movement and massage feature. Seat shall have adjustable water temperature and volume. Seat shall have warm air drying with five variable temperature settings. Seat shall have automatic air deodorizer. Seat shall be solid plastic with closed front seat and cover. Seat shall include power cord, and water supply hoses. Supplies bowl with a PREMIST before each use.



WASHLET



PREMIST

CODES/STANDARDS

- Meets and exceeds ASME A112.4.2, ASME A112.18.1/CSA B125.1, UL 1431, CSA C22.2 #68
- Certifications: IAPMO(cUPC), State of Massachusetts, City of Los Angeles and others
- Code Compliance: UPC, IPC, NSPC, NPC Canada, and others
- Complies with CA Prop 65 warning requirements



SW2033R & SW2034

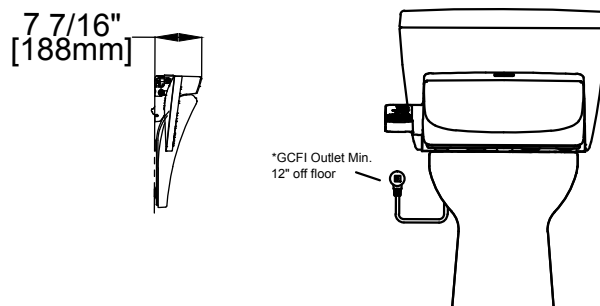
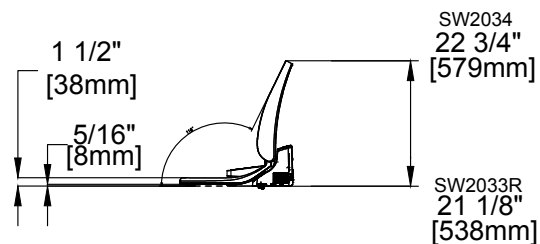
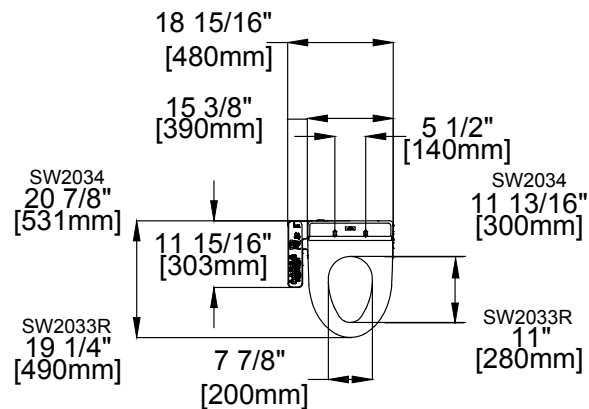
WASHLET® C100

SPECIFICATIONS

Power Rating	AC 120 V 60 Hz, 406W
Power Cord Length	3.94 ft (1.2 m)
Spray Volume	Rear Cleansing: 9.1 – 14.5 oz/min Rear Soft Cleansing: 9.1 – 14.5 oz/min Front Cleansing: 9.8 – 14.5 oz/min
Spray Features	Adjustable Surface Temp: 95 – 104 °F (35 – 40 °C) Safety Device: Thermal Fuse
Warm Air Dryer Features	Adjustable Air Temp: 86 – 140 °F (30 – 60 °C) Airflow Volume: 9.5 ft³/min Safety Device: Thermal Fuse
Heated Seat Features	Adjustable Surface Temp: 82 – 97 °F (28 – 36 °C) Safety Device: Thermal Fuse
Water Supply Pressure	Minimum: 7.25 PSI (Dynamic) Maximum: 108.75 PSI (Static)
Ambient Temp.	32 – 104 °F (0 – 40 °C)
Warranty	One Year Limited Warranty
Shipping Weight	C100 Elongated: 16 lbs C100 Round: 16 lbs
Shipping Dimensions	C100 Elongated - 23 ½" x 20 1/2" x 9" C100 Round - 21 ½" x 20 1/2" x 9"

INSTALLATION NOTES

- For use with potable water only. Do not use with recycled water.
- WASHLET C100 may not fit certain toilet bowl designs.
- If possible, with your order, please include your model number (from the underside of the tank lid).
- It is highly recommended to use a surge protector to prevent damage in the event of a power surge.



*The 3-prong cord on the Washlet is on the right side and is 4' long. The GFCI outlet needs to have 120V, 10amps.