

Installation and Owner's Manual  
Manual de Instrucciones y del Propietario  
Manuel d'Installation et d'Utilisation  
Manual de Instalação e do Proprietário

**TOTO**

**EcoPower® Automatic Faucets**  
**Grifos Automáticos EcoPower®**  
**Robinets Automatiques EcoPower®**  
**Torneiras e Misturadores Eletrônicos Self Power**



**Warranty Registration and Inquiry**

For product warranty registration, TOTO U.S.A. Inc. recommends online warranty registration. Please visit our web site <http://www.totousa.com>. If you have questions regarding warranty policy or coverage, please contact TOTO U.S.A. Inc., Customer Service Department, 1155 Southern Road, Morrow, GA 30260 (888) 295-8134 or (678) 466-1300 when calling from outside of U.S.A.

# TABLE OF CONTENTS

Thanks for Choosing TOTO! . . . . .	2	Care & Cleaning . . . . .	7
Included Parts . . . . .	2	Periodic Maintenance . . . . .	7
Warnings . . . . .	3	Specifications . . . . .	9
Before Installation . . . . .	3	Troubleshooting . . . . .	9
Initializing the EcoPower Product . . . . .	3	Warranty . . . . .	10
Installation Procedures . . . . .	4	Rough-In Dimensions . . . . .	38

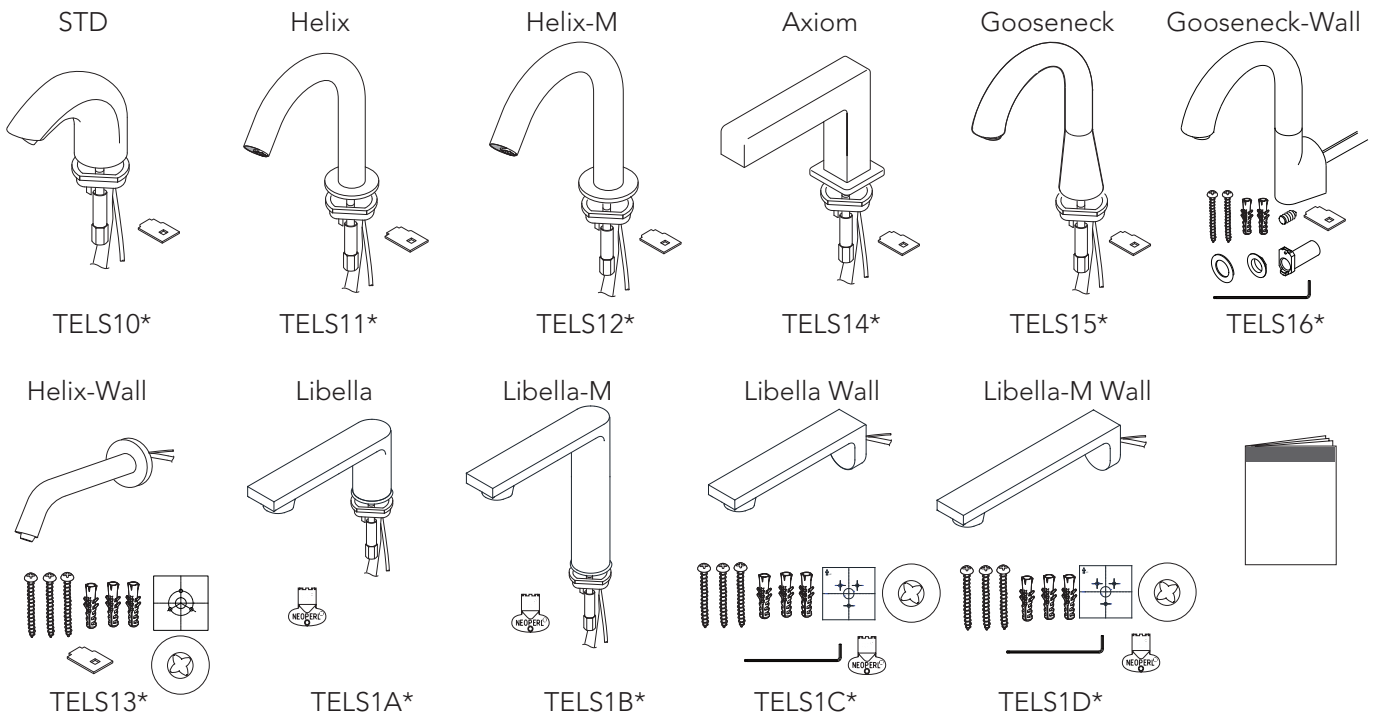
## THANK YOU FOR CHOOSING TOTO!

The mission of TOTO is to provide the world with healthy, hygienic and more comfortable lifestyles. We design every product with the balance of form and function as a guiding principle. Congratulations on your choice.

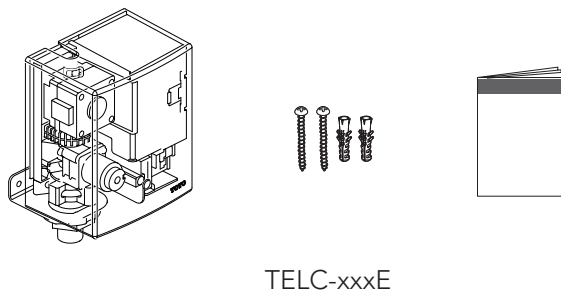
## INCLUDED PARTS

Check to make sure you have all these parts from the package\*:  
 (Appearance of some components may vary depending on the model)

### SPOUT



### CONTROLLER



TELC-xxxE

## WARNINGS

Please read and adhere to the following notes. Failure to do so could result in personal injury and/or property damage.

- No person other than a service engineer should disassemble, repair or modify this faucet, unless it is specifically described in this manual. Failure to do so may result in electric shock or product malfunction.
- Only set your faucet to the temperatures allowed in your local codes.
- Do not use this faucet in a humid location where running water or condensation may collect on the surface, especially in a sauna or steam room.
- Do not strike or kick the faucet or controller box, as this may damage the unit or cause a leak.
- Do not touch the hot surface of the stop valve of the controller, as it may be very hot.
- Disconnect the backup battery connector when the faucet is not in use for a long period of time.
- Always close the stop valve(s) before cleaning the strainer.
- Periodically check the piping for leaks.
- If the room temperature drops to freezing, wrap the pipes with insulation.
- Make sure the power cord does not come in contact with the hot water supply pipe.
- Avoid placing any objects within the detection range of the infrared sensor.

## BEFORE INSTALLATION

- Observe all local and plumbing codes.
- Check the cold and/or hot water supply pressure.
  - The recommended working pressure range is 20 psi - 80 psi (138 kPa - 551 kPa). If the supply pressure is higher than 80 psi (551 kPa), reduce to within recommended range by using a pressure reducing valve (sold separately).
- Check the temperature of the water supply.
  - The recommended supply temperature range is 39°F - 104°F (4°C - 40°C)
  - Never use steam as a hot water supply.
- Flush all water lines prior to installation.
- Other precautions before you begin:
  - Pay special attention so that the sensor surface is not flawed or scratched during the installation process.
  - Make sure that all pipework, stop valves, and connection lines are installed according to local codes.
  - Do not place other devices that use an inverter or infrared sensor near the faucet, as this may cause the faucet to malfunction.

Water pressures over 80 psi are not recommended for most plumbing fixtures. Check your local plumbing code for details.

## INITIALIZING THE ECOPOWER PRODUCT

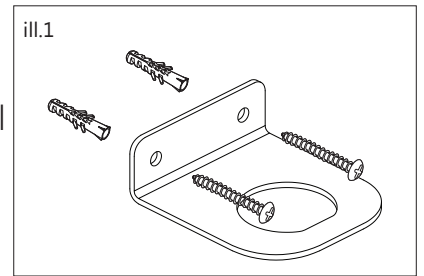
Please note that it will take **at least 5 minutes** after connecting the battery for the electronics to initialize. This delay is a normal part of start up. (Refer to Page 6 for more information)

# INSTALLATION PROCEDURE

## Install the Controller

**NOTE:** Before installing the product, be sure to thoroughly flush the supply pipes of dirt and debris. Shut off the water supply at the stop valves after flushing.

1. See the rough-in dimension page to determine the proper location for the controller.
2. Remove the screws on the front of the controller cover and pull to remove.
3. Mount the bracket on the wall. If necessary, use wall anchors (see ill. 1).
4. From the top, place controller into the hole in the bracket. From below the bracket, fasten the large nut to secure the controller (see ill. 2).

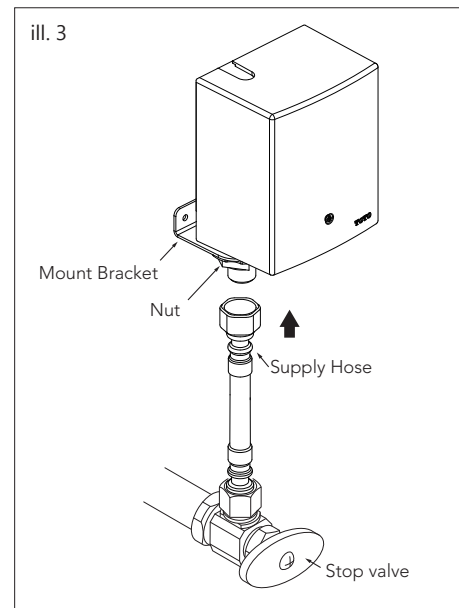
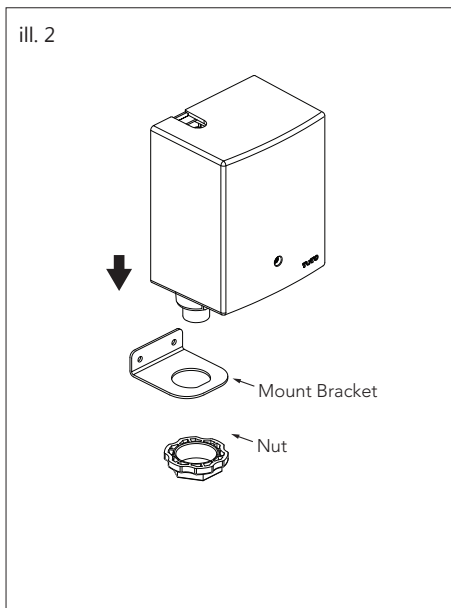


### IMPORTANT!

Be sure to install controller in the correct orientation as shown. Otherwise, product will not function properly.

5. Connect the water supply line to the inlet adapter (see ill. 3).

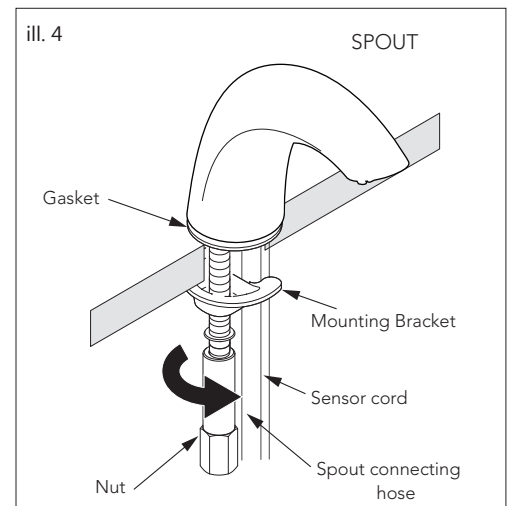
**NOTE:** If using a thermostatic valve (sold separately), please refer to its installation manual for details.



## Install the Spout

### To Install Deck-Mounted Models (ill. 4):

Secure the spout to the countertop with the included bracket and hexagonal nut. Make sure that the spout is mounted with the tip directed towards the center of the basin.

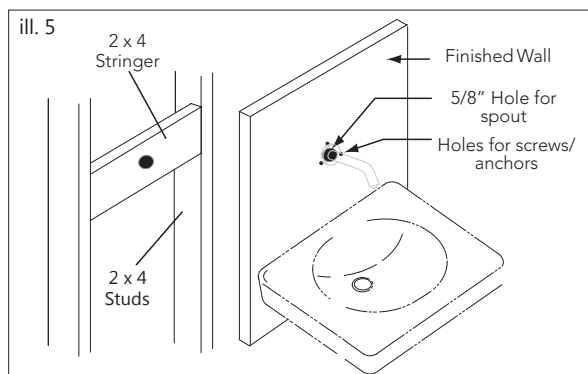


# INSTALLATION PROCEDURE

## To Install Helix and Libella Wall-Mounted Models (ill. 5):

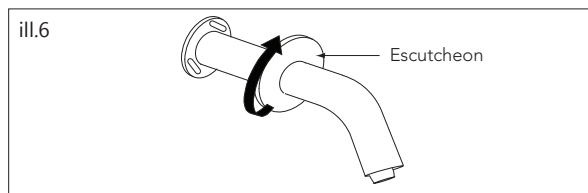
**NOTE:** The addition of a 2 x 4" stringer behind the spout installation location is highly recommended.

1. Place mounting template on wall at desired location and mark all holes. Drill a 5/8" (16 mm) diameter hole at the spout mounting location (center) for the supply tube and sensor cord to pass through.
2. For fastening to wood, drill three (3) pilot holes 7/64" (2.7 mm) in diameter at marked locations. For fastening to drywall or tile, drill three (3) holes 3/16" (5 mm) in diameter and insert anchors until flush. Tap lightly with a hammer if needed.



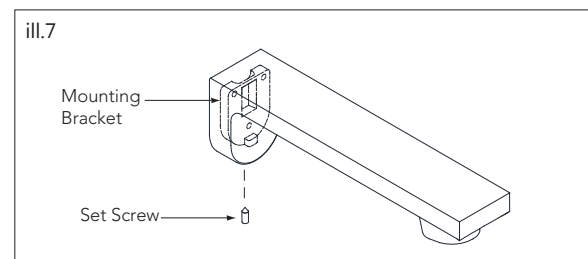
## To Install Helix Wall-Mounted Models (ill. 6):

3. Feed the supply tube and sensor cord through the 5/8" (16 mm) hole in center. Place spout against wall and fasten securely with the provided screws.
4. Fasten the escutcheon to the bracket until hand-tight.



## To Install Libella Wall-Mounted Models (ill. 7):

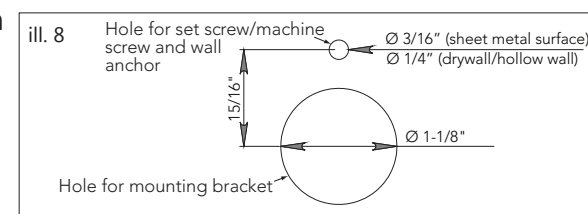
3. Place mounting bracket against wall and fasten securely with the provided screws.
4. Pass the hose and sensor cord through the mounting bracket, slide the spout base over the mounting bracket and tighten the set screw to secure the spout to the mounting bracket.



## To Install Gooseneck Wall-Mounted Models (ill. 8, 9 & 10):

**NOTE:** Confirmation of wall strength is highly recommended before drilling.

1. Drill a 1-1/8" (29 mm) hole at the desired location for the mounting bracket. Place the mounting bracket through a hole in the wall with the set screw hole located at 12 o'clock. Mark the location of the set screw hole on the wall and remove the mounting bracket.



For sheet metal surface: Drill a 3/16" (5 mm) hole at the marked location.

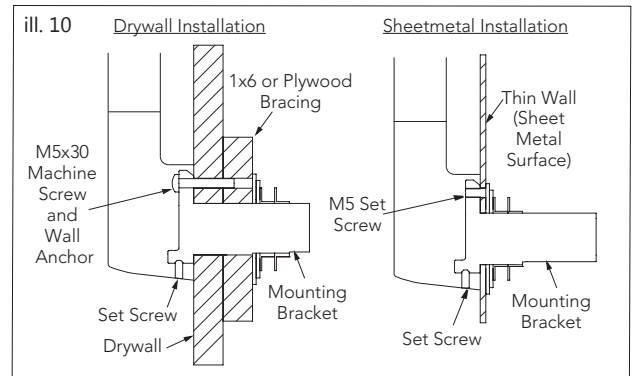
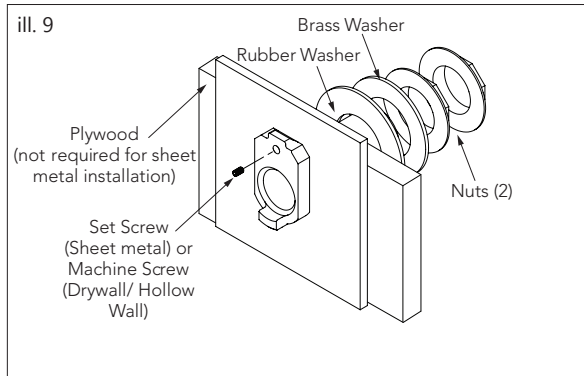
**NOTE:** Drill bits (not supplied) for hard materials may be required.

For a drywall/hollow wall surface: Drill a 1/4" (6.5 mm) hole at the marked location, and install the included wall anchors.

**NOTE:** The addition of a 1 x 6" or plywood bracing behind the mounting location is highly recommended for drywall/hollow wall installations. The overall maximum wall thickness is 2" (50 mm).

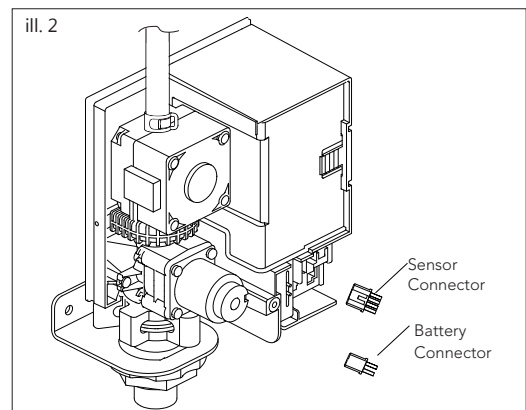
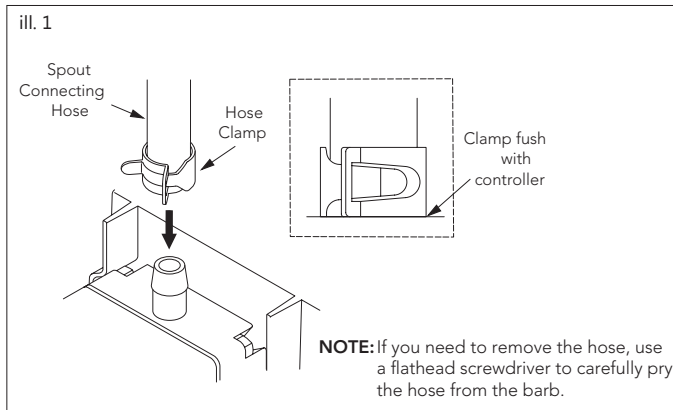
# INSTALLATION PROCEDURE

2. Install the mounting bracket using the rubber washer, brass washer, and both brass nuts on back side of the installation surface. Install the included set screw (for sheet metal installation) or 30 mm machine screw (for drywall installations).
3. Pass the hose and sensor cord through the mounting bracket, slide the spout base over the mounting bracket and tighten the set screw to secure the spout to the mounting bracket.



## Connect the Spout to the Controller

1. If the spout connecting hose is too long, cut it to the appropriate length, making sure the end is square.
2. Push the spout connecting hose onto the outlet barb of the controller and secure it with the hose clamp (see ill. 1). Make sure that the hose clamp is placed fully against the controller.
3. Connect the backup battery connector to the controller. ⌚ It will take **at least 5 minutes** after connecting the battery for the electronics to initialize. This is a normal part of startup. Make sure there are no obstructions between the sensor and the basin, then connect the spout sensor connector to the controller. (see ill. 2)

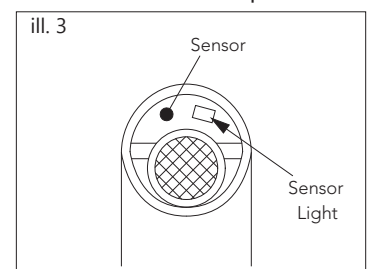


**WARNING:** Draw the sensor cord from the bottom of the controller while installing the controller cover to ensure that the cord is not pinched.

### IMPORTANT!

The faucet will begin an automatic sensing range adjustment immediately after the sensor connector is plugged into the controller. Do not place your hands or other objects in front of the sensor. This process may take up to 20 seconds to complete.

- If the sensor light continues to flash for more than 20 seconds, the spout direction will need to be readjusted for proper operation. If adjustment is necessary, you must do it within 10 minutes of the adjustment process will end. To restart the process, unplug the sensor connector for 10 seconds, then reconnect it (see ill. 3)

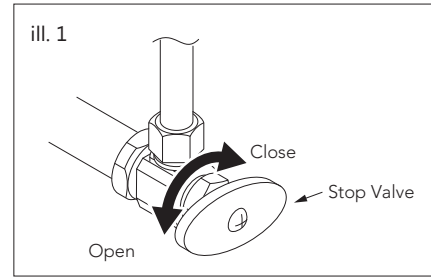


4. Double-check all connections, then reinstall the controller cover, securing it with the screws.

# INSTALLATION PROCEDURE

## Testing After Installation

- Turn on the water supply at the stop valves and inspect all the connections for any leaks (see ill. 1).
- Place hand under the sensor to activate.  
**For "C" type controller** (ex. TELC-103-C20E): Water will run for the time period indicated by the model. Water will not stop when you remove your hand.  
**For "D" type controller** (ex. TELC-103-D20E): Water will run for the time period indicated by the model, or water will stop when you remove your hand.

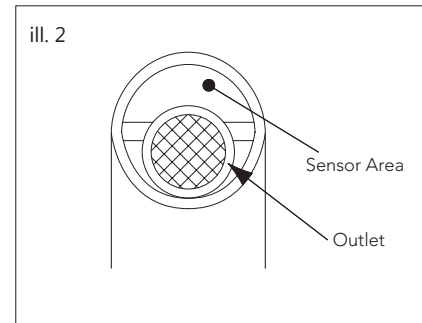


## CARE & CLEANING

### Spout and Sensor

**IMPORTANT!** Do not scratch the sensor when cleaning the spout (see ill. 2).

- Avoid using any cleaning materials that may scratch the spout surface.
- Never use polishing powder, detergent that includes coarse particles, thinners, benzene, acids, alkaline detergents, or nylon scrub brushes, as they can damage the surface of the spout.
- To safely clean the surface, wipe it using a dampened soft cloth with diluted dishwashing detergent and dry it with another soft cloth. If this does not adequately clean the surface, wipe the area with a neutral detergent and wet cloth.



## PERIODIC MAINTENANCE

Check your faucet at least once a month for the following potential problems and to do the following maintenance procedures:

### Inspect for Leakage

Check all water connections for signs of leakage.

### Tighten the Spout

If the spout is loose, tighten the hexagonal nut underneath the spout for deck-mounted models.

#### **To tighten the Helix Wall-Mounted Spout:**

1. Unscrew the escutcheon, tighten the three screws securing the mounting bracket to the wall.
2. Reinstall escutcheon.

#### **To tighten the Gooseneck Wall-Mounted Spout**

1. Turn off the water supply at the stop valves.
2. Disconnect the spout connecting hose and sensor connector from the controller.
3. Remove the spout from the mounting bracket by removing the set screw on the bottom of the spout base.
4. Tighten the set screw on the back of the spout, then reinstall the spout on the mounting bracket.
5. As required, ensure the set screw on the mounting bracket and mounting nuts behind the sink/wall (refer to "Install the Spout" section) are tight.

## PERIODIC MAINTENANCE

### Cleaning the Inlet Screen and Nozzle

When the inlet screen is clogged, the flow rate will decrease. Decreased flow rate can lead to insufficient power generation, which will deplete the backup battery prematurely.

Cleaning the screen (see ill. 1 & 2):

1. Turn the water off at the stop valves.
2. Remove controller cover and quick fastener.
3. Remove controller from hose adapter.
4. Remove screen and clean it with a brush.

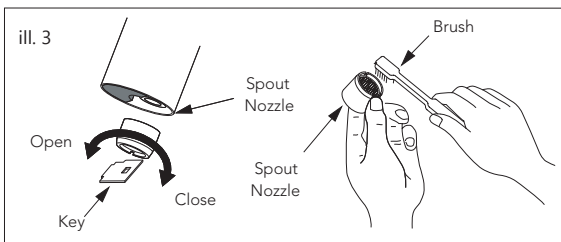
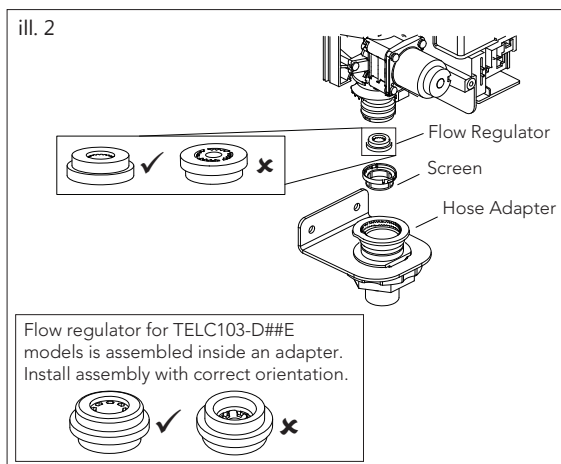
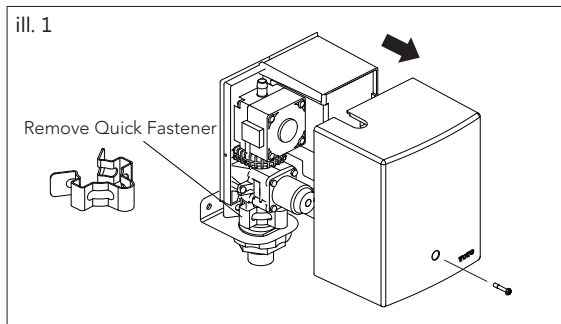
**IMPORTANT!**

If flow regulator (or flow regulator assembly for TELC103-###E) falls out, reinstall it in the correct orientation (O-ring side facing screen) as shown. Otherwise, product will not function properly.

5. Reinstall the cleaned screen.
6. Reinstall the controller into the hose adapter until fully seated, and secure it with the quick fastener.
7. Reinstall cover, securing it with the screws.
8. Open stop valves and check all connections.

Cleaning the nozzle (see ill. 3):

1. Remove the nozzle from the spout with the supplied tool.
2. Clean the nozzle with a soft brush to remove any dirt from the screen.
3. Re-install the nozzle in the spout.



## SPECIFICATIONS

Power supply	Hydropower Generation (self-powering power supply)			
Sensor Detection Range	5-1/8" ~ 7-7/8" (130 ~ 200mm)			
	Sensor is self-adjusting.			
Water Supply Pressure	Minimum : 15 psi (100 kPa) (Flowing)			
	Maximum : 80 psi (551 kPa)			
Water Supply Connection	G1/2 compatible with 1/2 NPSM			
Inlet Temperature range	39 ~ 110°F (4 ~ 43.3°C)			
Ambient Temperature	32 ~ 104°F (0 ~ 40°C)			
Humidity	Max. 90% RH			
Flow Rate	1.0 gpm	0.5 gpm		0.35 gpm
Duration	10 seconds	10 seconds	20 seconds	20 seconds
Volume per cycle	0.18 gpc (0.67 Lpc)	0.09 gpc (0.36 Lpc)	0.19 gpc (0.72 Lpc)	0.11 gpc (0.44 Lpc)

## TROUBLESHOOTING

Problem	Cause	Solution
Water won't begin running.	The surface of the sensor is dirty.	Clean the surface of the sensor.
	There is an obstruction in front of the sensor.	Remove the obstruction.
	The stop valve is turned off.	Turn on the valve.
	Backup battery connector is disconnected.	Connect the backup battery connector.
	The power generator and sensor connector is disconnected.	Securely attach the connector(s).
	Water supply is suspended.	Wait until the water supply is restored.
	The strainer or the regulating screen is clogged.	Clean the strainer and the regulating screen.
Water won't stop running.	The surface of the sensor is dirty.	Clean the surface of the sensor.
	There is an obstruction in front of the sensor.	Remove the obstruction.
	If the water continues to run after attempting the above solutions, turn off the stop valve.	
Low flow rate.	The stop valve is not fully opened.	Open the stop valve fully.
	The strainer or the regulating screen is clogged.	Clean the strainer and the regulating screen.
Water temperature is too high.	The temperature control handle is set at "H".	Set the temperature control handle to the middle point.
	The stop valve connected to the cold-water supply is not fully opened.	Open the cold-water stop valve fully.
Water temperature is too low.	The temperature control handle is set at "C".	Set the temperature control handle to the middle point.
	The stop valve connected to the hot water supply is not fully opened.	Open the hot water stop valve fully.
	The hot water supply temperature is lower than 120°F.	Set the hot water supply temperature to 120° F.
Water temperature is not controlled properly.	One side of the stop valve is not fully opened.	Open the stop valve fully.
	The strainer or the regulating screen is clogged.	Clean the strainer and the regulating screen.
Short detection range.	The self-adjusting sensor may not work properly when strained or blocked by water droplets.	Clean the sensor surface.

# WARRANTY

ENGLISH

1. TOTO warrants its electronic flush valves, faucets and soap dispensers ("Product") to be free from defects in materials and workmanship during normal use when properly installed and serviced, for a period of three (3) years from date of purchase. This limited warranty is extended only to the ORIGINAL PURCHASER of the Product and is not transferable to any third party, including but not limited to any subsequent purchaser or owner of the Product. This warranty applies only to TOTO Product purchased and installed in North, Central and South America.
2. TOTO's obligations under this warranty are limited to repair, replacement or other appropriate adjustment, at TOTO's option, of the Product or parts found to be defective in normal use, provided that such Product was properly installed, used and serviced in accordance with instructions. TOTO reserves the right to make such inspections as may be necessary in order to determine the cause of the defect. TOTO will not charge for labor or parts in connection with warranty repairs or replacements. TOTO is not responsible for the cost of removal, return and/or reinstallation of the Product.
3. This warranty does not apply to the following items:
  - a. Damage or loss sustained in a natural calamity such as fire, earthquake, flood, thunder, electrical storm, etc.
  - b. Damage or loss resulting from any accident, unreasonable use, misuse, abuse, negligence, or improper care, cleaning, or maintenance of the Product.
  - c. Damage or loss resulting from sediments or foreign matter contained in a liquid soap system.
  - d. Damage or loss resulting from improper installation or from installation of the Product in a harsh and/or hazardous environment, or improper removal, repair or modification of the Product.
  - e. Damage or loss resulting from electrical surges or lightning strikes or other acts which are not the fault of TOTO or which the Product is not specified to tolerate.
  - f. Damage or loss resulting from normal and customary wear and tear, such as gloss reduction, scratching or fading over time due to use, cleaning practices or water or atmospheric conditions, including but not limited to, the use of bleach, alkali, acid cleaners, dry (powder) cleaners or any other abrasive cleaners or the use of metal or nylon scrubbers.
4. In order for this limited warranty to be valid, proof of purchase is required. TOTO encourages warranty registration upon purchase to create a record of Product ownership at <http://www.totousa.com> is required. TOTO encourages registration upon purchase and failure to register will not diminish your limited warranty rights.
5. THIS WARRANTY GIVES YOU SPECIFIC LEGAL RIGHTS. YOU MAY HAVE OTHER RIGHTS WHICH VARY FROM STATE TO STATE, PROVINCE TO PROVINCE OR COUNTRY TO COUNTRY.
6. To obtain warranty repair service under this warranty, you must take the Product or deliver it prepaid to a TOTO service facility together with proof of purchase (original sales receipt) and a letter stating the problem, or contact a TOTO distributor or products service contractor, or write directly to TOTO U.S.A., INC., 1155 Southern Road, Morrow, GA 30260 (888) 295 8134 or (678) 466-1300, if outside the U.S.A. If, because of the size of the Product or nature of the defect, the Product cannot be returned to TOTO, receipt by TOTO of written notice of the defect together with proof of purchase (original sales receipt) shall constitute delivery. In such case, TOTO may choose to repair the Product at the purchaser's location or pay to transport the Product to a service facility.

THIS WRITTEN WARRANTY IS THE ONLY WARRANTY MADE BY TOTO. REPAIR, REPLACEMENT OR OTHER APPROPRIATE ADJUSTMENT AS PROVIDED UNDER THIS WARRANTY SHALL BE THE EXCLUSIVE REMEDY AVAILABLE TO THE ORIGINAL PURCHASER. TOTO SHALL NOT BE RESPONSIBLE FOR LOSS OF THE PRODUCT OR FOR OTHER INCIDENTAL, SPECIAL OR CONSEQUENTIAL DAMAGES OR EXPENSES INCURRED BY THE ORIGINAL PURCHASER, OR FOR LABOR OR OTHER COSTS DUE TO INSTALLATION OR REMOVAL, OR COSTS OF REPAIRS BY OTHERS, OR FOR ANY OTHER EXPENSE NOT SPECIFICALLY STATED ABOVE. IN NO EVENT WILL TOTO'S RESPONSIBILITY EXCEED THE PURCHASE PRICE OF THE PRODUCT. EXCEPT TO THE EXTENT PROHIBITED BY APPLICABLE LAW, ANY IMPLIED WARRANTIES, INCLUDING THAT OF MERCHANTABILITY OR FITNESS FOR USE OR FOR A PARTICULAR PURPOSE, ARE EXPRESSLY DISCLAIMED. SOME STATES DO NOT ALLOW LIMITATIONS ON HOW LONG AN IMPLIED WARRANTY LASTS, OR THE EXCLUSION OR LIMITATION OF INCIDENTAL OR CONSEQUENTIAL DAMAGES, SO THE ABOVE LIMITATION AND EXCLUSION MAY NOT APPLY TO YOU.

# ÍNDICE

¡Gracias Por Elegir TOTO!.....	11	Cuidado y Limpieza.....	16
Incluía Parte.....	11	Mantenimiento Periódico.....	16
Precaución.....	12	Especificacione.....	17
Antes de la Instalación.....	12	Resolución de Problemas.....	18
Inicializando el Producto EcoPower.....	12	Garantía.....	19
Procedimiento de Instalación.....	13	Bosquejo.....	38

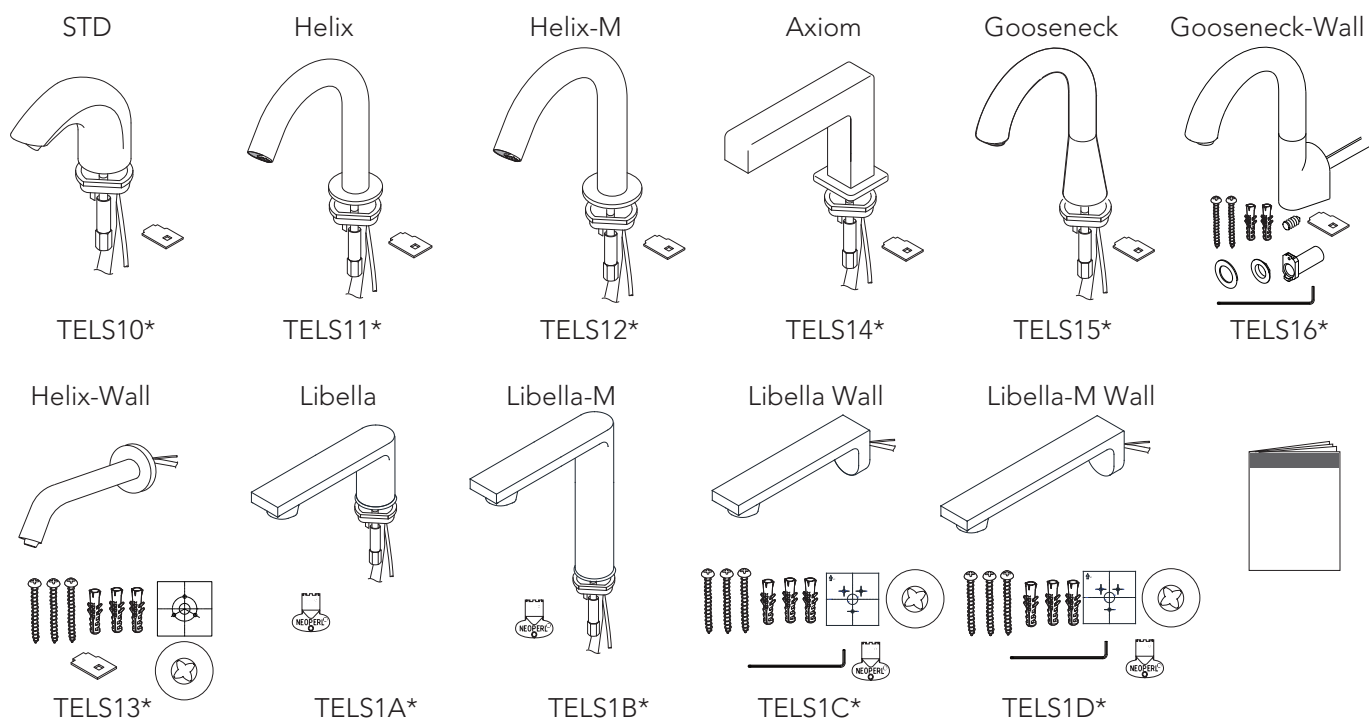
## GRACIAS POR ELEGIR TOTO!

La misión de TOTO es dar al mundo estilos de vida más saludables, higiénicos y cómodos. Diseñamos cada producto guiándonos por el principio del equilibrio entre forma y función. Felicitaciones por su elección.

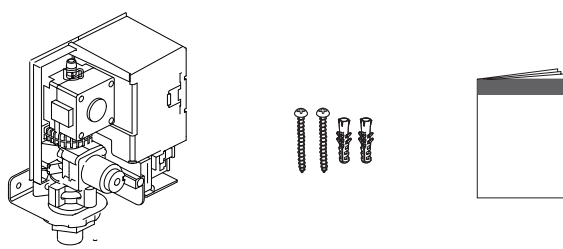
## INCLUÍA PARTE

Asegúrese que todas estas partes estén incluidas en su empaqado\*:  
(La apariencia de algunos componentes puede variar dependiendo del modelo)

### SURTIDOR



### CONTROLADOR



TELC-xxxE

## PRECAUCIÓN

Lea las siguientes notas y sígala siempre. De lo contrario, podría resultar herido y/o causar daños materiales.

- Ninguna persona que no sea un ingeniero de servicios debe desensamblar, reparar o modificar este grifo, a menos que se describa específicamente en este manual. No hacer lo anterior puede resultar en un malfuncionamiento del producto.
- Fije las temperaturas del grifo únicamente a las permitidas en sus códigos locales.
- No utilice este grifo en una ubicación húmeda donde se pueda acumular agua corriente o condensación en la superficie, especialmente en una sauna o vapor.
- No golpee o patee el grifo o la caja del controlador, ya que puede dañar la unidad o causar fugas.
- No toque la superficie caliente de la llave de paso, ya que puede estar muy caliente.
- Desconecte el conector de la batería de respaldo cuando el grifo no esté en uso por un largo periodo de tiempo.
- Siempre cierre la(s) válvula(s) de paso al limpiar el filtro.
- Revise periódicamente la tubería para verificar que no haya fugas.
- Si la temperatura ambiente cae drásticamente, envuelva la tubería con aislante.
- Asegúrese de que el cable de energía no entre en contacto con la tubería de suministro de agua caliente.
- Evite colocar cualquier objeto dentro del rango de detección del sensor infrarrojo.

## ANTES DE LA INSTALACIÓN

- Siga todos los códigos locales de plomería y construcción.
- Verifique la presión de suministro de agua fría y/o caliente.
  - El rango de presión de trabajo recomendado es de 20 psi a 80 psi (de 138 kPa a 551 kPa). Si la presión de suministro es superior a 80 psi (551 kPa), redúzcala hasta alcanzar el rango recomendado usando una válvula de reducción de la presión (se vende por separado).
- Verifique la temperatura del suministro de agua.
  - El rango de temperatura de suministro recomendado es de 39 °F a 104 °F (de 4 °C a 40 °C)
  - Nunca utilice vapor como un suministro de agua caliente.
- Descargue todas las líneas de agua antes de su instalación.
- Otras precauciones antes de comenzar:
  - Ponga especial atención para que la superficie del sensor no se dañe o raye durante el proceso de instalación.
  - Asegúrese que toda la tubería, válvulas de paso y líneas de conexión estén instaladas de acuerdo con los códigos locales.
  - No coloque otros dispositivos que utilicen un inversor o sensor infrarrojo cerca del grifo, ya que puede causar un malfuncionamiento del grifo.

No se recomiendan presiones de agua superiores a 80 psi para la mayoría de los accesorios de fontanería. Consulte su código de fontanería local para obtener detalles.

## INICIALIZANDO EL PRODUCTO ECOPOWER

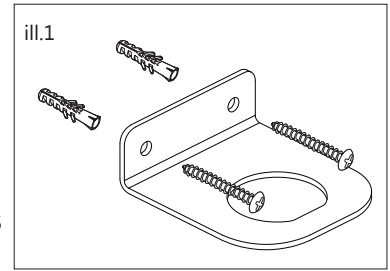
Tenga en cuenta que tardará **al menos 5 minutos** después de conectar la batería para que la electrónica se inicialice.  
(Consulte la página 15 para ver las ilustraciones.)

# PROCEDIMIENTO DE INSTALACIÓN

## Instale el Controlador

**NOTA:** Antes de instalar el producto, asegúrese de descargar perfectamente las tuberías de suministro de suciedad y desechos. Cierre el suministro de agua en las llaves de paso después de descargarlas.

1. Vea la página de dimensiones en borrador para determinar la ubicación adecuada para el controlador.
2. Retire los tornillos en la parte de enfrente de la cubierta del controlador y jale para retirarla.
3. Monte el soporte sobre la pared. De ser necesario, use anclajes de pared (vea la ilustr. 1).
4. Desde la parte superior, coloque el controlador en el orificio, en el soporte. Desde la parte inferior del soporte, ajuste la tuerca grande para fijar el controlador (vea la ilustr. 2).

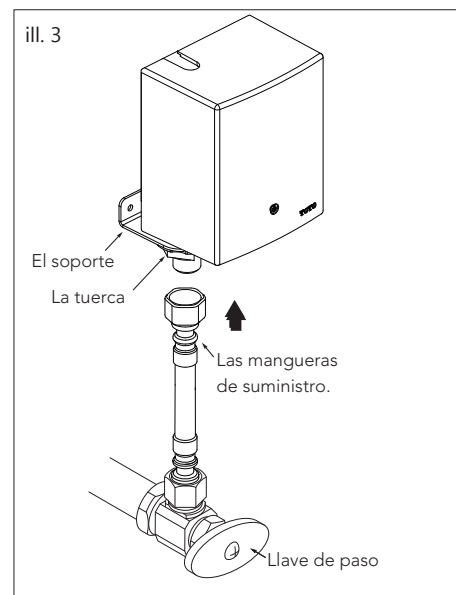
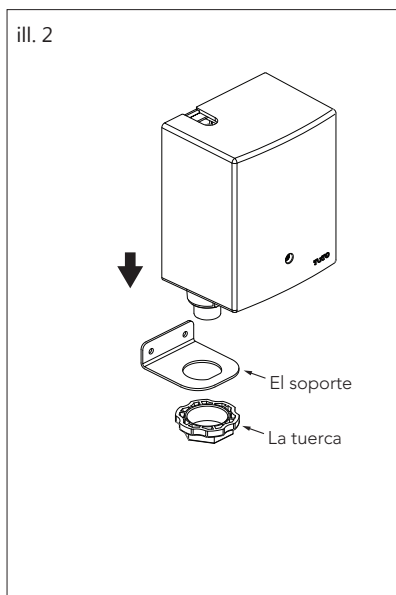


### ¡IMPORTANTE!

Asegúrese de instalar el controlador en la orientación correcta, como se muestra. De lo contrario, el producto no funcionará correctamente.

5. Conecte la línea de suministro de agua al adaptador de entrada (vea la ilustr. 3).

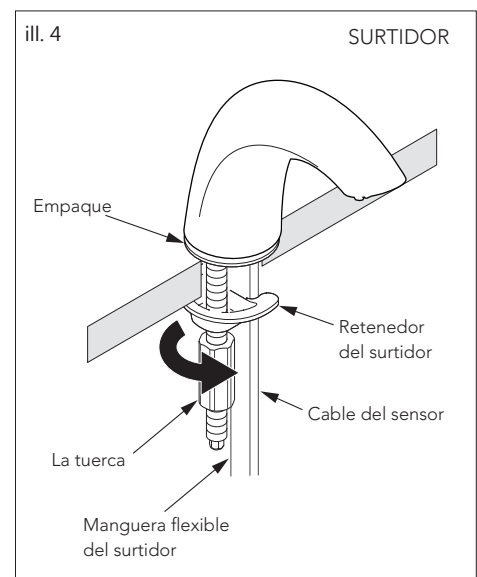
**NOTA:** Si usa una válvula termostática (se vende por separado), consulte su manual de instalación para obtener detalles.



## Instale el Surtidor

Para Instalar Modelos Montados en el Mostrador (vea la ilustr. 4):

Asegure el surtidor a la parte superior del mostrador con el soporte incluido y la tuerca hexagonal. Asegúrese de que el surtidor sea montado con la punta apuntando hacia el centro del lavabo.

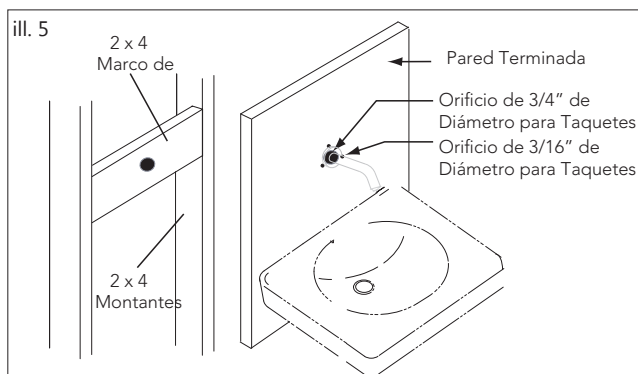


# PROCEDIMIENTO DE INSTALACIÓN

## Para Instalar Modelos Montados en la Pared de Helix y Libella (ill. 5)

**NOTA:** La adición de un marco de 2 x 6" detrás de la ubicación de la instalación del surtidor es altamente recomendable.

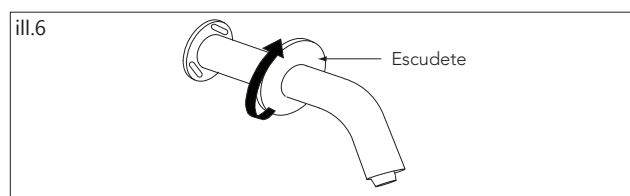
1. Coloque la plantilla de montaje sobre la pared en la ubicación deseada y marque todos los orificios. Perfore un orificio con un diámetro de 5/8 in (16 mm) en la ubicación del montaje del tubo de salida (centro) para que pasen el tubo de suministro y el cable del sensor.
2. Para ajustar a una superficie de madera, perfore tres (3) orificios piloto con un diámetro de 7/64 in (2,7 mm) en las ubicaciones marcadas.



Para ajustar a una pared laminada o azulejo, perfore tres (3) orificios con un diámetro de 3/16 in (5 mm) e inserte los anclajes hasta que estén a ras. Dé golpes suaves con un martillo si es necesario.

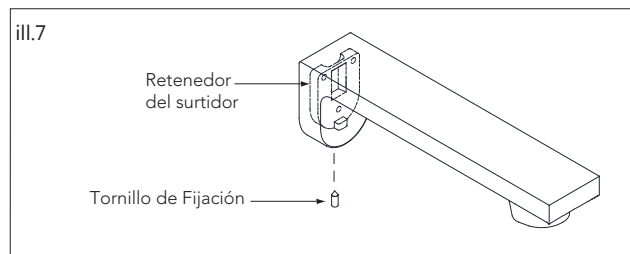
## Para Instalar Modelos Montados en la Pared de Helix (ill. 6)

3. Alimente el tubo de suministro y el cable del sensor a través del orificio de 5/8 in (16 mm) en el centro. Coloque el tubo de salida contra la pared y ajústelo firmemente con los tornillos proporcionados.
4. Ajuste manualmente el escudete al soporte.



## Para Instalar Modelos Montados en la Pared de Libella (ill. 7)

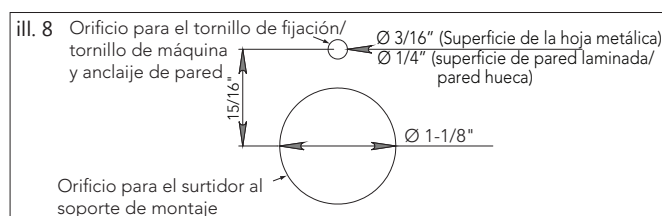
3. Coloque el soporte de montaje contra la pared y fíjelo firmemente con los tornillos que se incluyen.
4. Pase la cuerda del sensor y la manguera a través del soporte de montaje, deslice la base de la boquilla de escape sobre el soporte de montaje y apriete el tornillo de fijación para fijar la boquilla de escape en el soporte de montaje.



## Para Instalar los Modelos Montados en Pared Cuello de Ganso (ill. 8, 9& 10):

**NOTA:** Es altamente recomendable la confirmación de la resistencia de la pared antes de perforar.

1. Perfore un orificio de 1-1/8" (29 mm) en la ubicación deseada para el soporte de montaje. Ponga el soporte de montaje a través de un orificio en la pared con el orificio del tornillo de fijación ubicado a las 12 en punto. Marque la ubicación del orificio del tornillo de fijación en la pared y retire el soporte de montaje.



Para una superficie de hoja de metal: Perfore un orificio de 3/16" (5 mm) en la ubicación marcada.

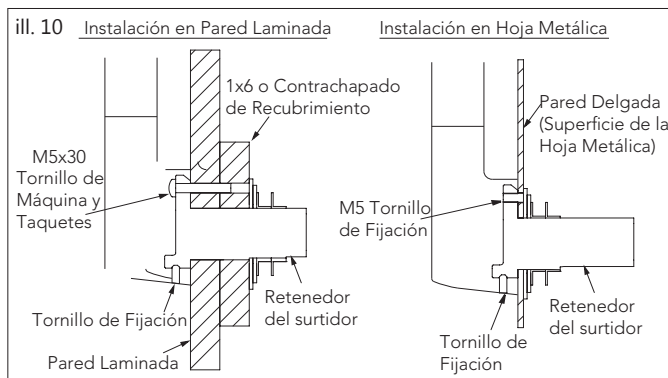
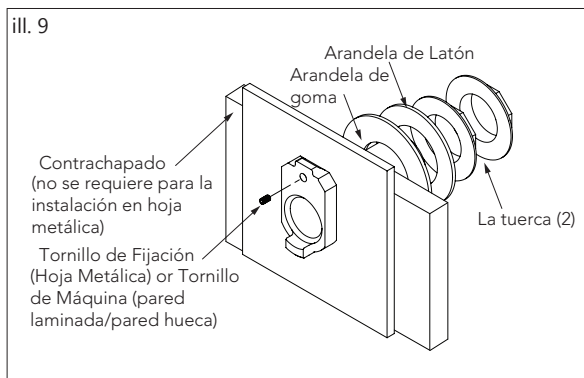
**NOTA:** Se pueden necesitar brocas de taladro (no proporcionadas) para materiales duros.

Para una superficie de pared laminada/pared hueca: Perfore un orificio de 1/4" (6.5 mm) en la ubicación marcada e instale los taquetes incluidos.

**NOTA:** La adición de un contrachapado de recubrimiento de 1 x 6" detrás de la ubicación de montaje es altamente recomendable para las instalaciones en pared laminada/pared hueca. El grosor de pared máximo total es de 2" (50 mm).

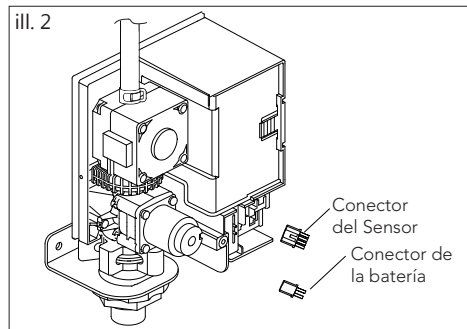
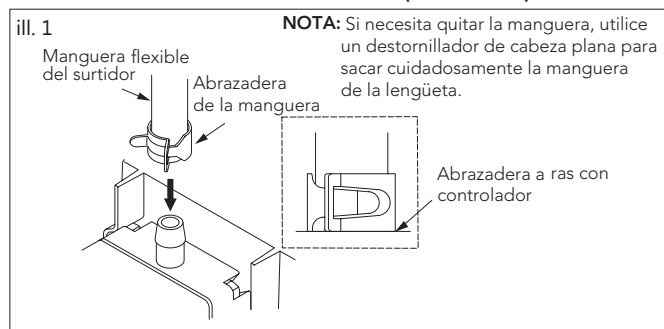
# PROCEDIMIENTO DE INSTALACIÓN

2. Instale el soporte de montaje utilizando una arandela de hule, arandela de latón y ambas tuercas de latón en la parte posterior de la superficie de instalación. Instale el tornillo de fijación incluido (para la instalación en hoja metálica) ó tornillo de máquina de 30 mm (para instalaciones en pared laminada).
3. Pase la manguera y el cable del sensor a través del soporte de montaje, deslice la base del surtidor sobre el soporte de montaje y apriete el tornillo de fijación para asegurar el surtidor al soporte de montaje.



## Conecte el Surtidor al Controlador

1. Si la manguera que conecta el surtidor es demasiado larga, córtela a la longitud adecuada, asegurándose que el extremo esté cuadrado.
2. Empuje la manguera que conecta el surtidor en la lengüeta de salida del controlador y asegúrela con la abrazadera de la manguera (ver ill.1). Asegúrese que la abrazadera de la manguera esté perfectamente colocada contra el controlador.
3. Conecte el conector de la batería de respaldo al controlador. ⌚ Se tardará **al menos 5 minutos** después de conectar la batería para que la electrónica se inicialice. Esta es una parte normal de la puesta en marcha. Asegúrese que no haya obstrucciones entre el sensor y el lavabo, después conecte el conector del sensor del surtidor al controlador (ver ill. 2).

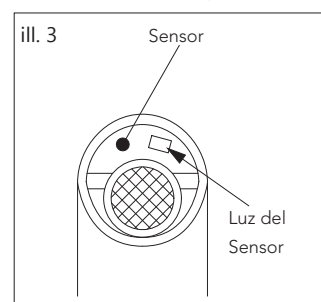


**ADVERTENCIA:** Lleve el cable del sensor a la parte inferior del controlador mientras instala la cubierta del controlador para asegurarse que el cable no quede atrapado.

### IMPORTANTE!

El grifo comenzará un ajuste de rango de detección automático inmediatamente después de que el conector del sensor esté enchufado al controlador. No coloque las manos ni otros objetos frente al sensor. Completar este proceso puede llevar hasta 20 segundos.

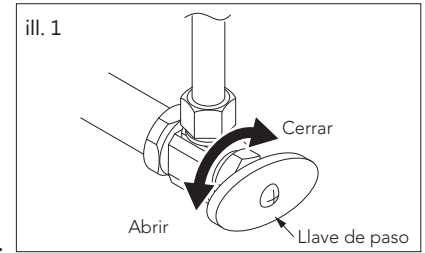
- Si la luz del sensor sigue parpadeando por más de 20 segundos, se deberá reajustar la dirección del surtidor para una operación adecuada. Si el ajuste es necesario, debe hacerlo dentro de los siguientes 10 minutos o el proceso de ajuste terminará. Para reiniciar el proceso, eso, desconecte el conector del sensor 10 segundos y vuélvalo a conectar (ver ill. 3).
4. Vuelva a revisar todas las conexiones, después reinstale la cubierta del controlador, asegurándola con los tornillos.



# PROCEDIMIENTO DE INSTALACIÓN

## Prueba después de la instalación

- Encienda el suministro de agua en las llaves de paso e inspeccione todas las conexiones para verificar que no haya fugas (ver ill. 1).
- Coloque la mano debajo del sensor para activar.  
**Para el modelo de tipo "C"** (Ej: TELC103-C20E): el agua fluirá durante el período de tiempo indicado por el modelo. El agua no se detiene cuando se quita la mano.  
**Para el modelo de tipo "D"** (Ej: TELC103-D20E): el agua fluirá durante el período de tiempo indicado por el modelo, o el agua se detendrá cuando retire su mano.

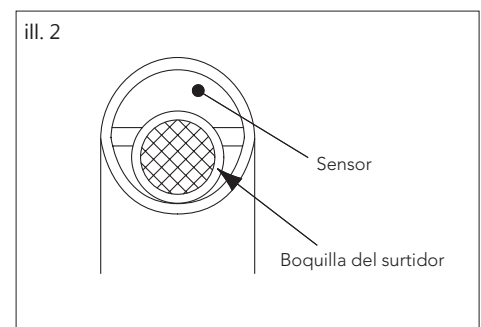


## CUIDADO Y LIMPIEZA

### Surtidor y Sensor

#### IMPORTANTE!

- No raye el sensor al limpiar el surtidor (ver ill. 2). Evite utilizar cualquier material de limpieza que pueda rayar la superficie del surtidor.
- Nunca utilice polvo para pulir, detergente que incluya partículas corrosivas, thinners, benceno, ácidos, detergentes alcalinos ni estropajos de nylon, ya que pueden dañar la superficie del surtidor.
- Para limpiar la superficie con seguridad, límpiela con un trapo remojado en detergente para trastes diluido y séquelo con otro trapo. Si esto no limpia adecuadamente la superficie, límpiela con un detergente neutro y un trapo mojado.



## MANTENIMIENTO PERIÓDICO

Revise su grifo al menos una vez al mes para los siguientes problemas potenciales y para realizar los siguientes procedimientos de mantenimiento:

### Inspeccione para ver si hay Fugas

Revise todas las conexiones de agua para ver si hay signos de fugas.

### Apriete el Surtidor

Si el surtidor está flojo, apriete la tuerca hexagonal debajo del surtidor para los modelos montados en el mostrador.

### Para apretar el Surtidor Montado en la Pared de Helix:

1. Desatornille el escudete, apriete los tres tornillos que aseguran el soporte de montaje a la pared y los tres tornillos que aseguran el surtidor al soporte de montaje.
2. Reinstale el escudete.

### Para apretar el Surtidor Montado en la Pared Cuello de Ganso:

1. Cierre el suministro de agua en las llaves de paso.
2. Desconecte la manguera flexible del surtidor y conector del sensor.
3. Retire el surtidor del soporte de montaje quitando el tornillo de fijación en la parte inferior de la base del surtidor.
4. Apriete el tornillo de fijación en la parte posterior del surtidor, después reinstale el surtidor en el soporte de montaje.
5. Según se requiera, asegure el tornillo de fijación en el soporte de montaje y las tuercas de fijación detrás del lavabo/pared (consulte la sección "Instale el surtidor") están apretadas.

# MANTENIMIENTO PERIÓDICO

## Limpiando el Filtro de Entrada y la Boquilla

Cuando el filtro de entrada esté tapado, la velocidad de flujo disminuirá. Una disminución en la velocidad del flujo puede llevar a una generación de energía insuficiente, que la batería de respaldo rápidamente.

Para limpiar el filtro (ver ill. 1):

1. Cierre el agua en las válvulas de suspensión.
2. Retire la tapa y luego retire el sujetador rápido.
3. Retire el controlador.
4. Retire el filtro y límpielo con un cepillo.

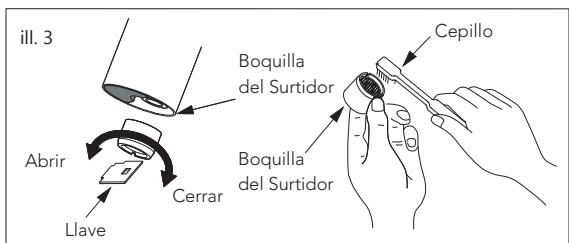
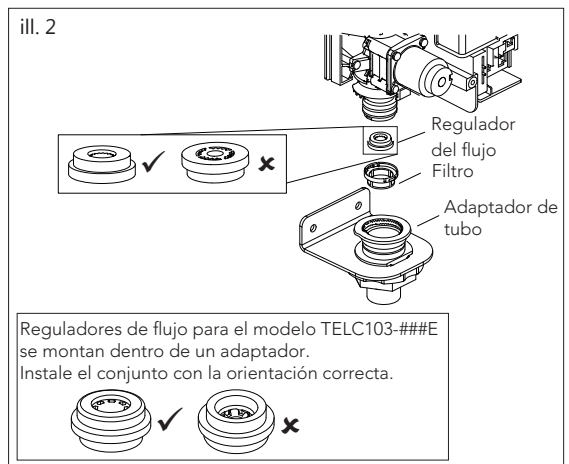
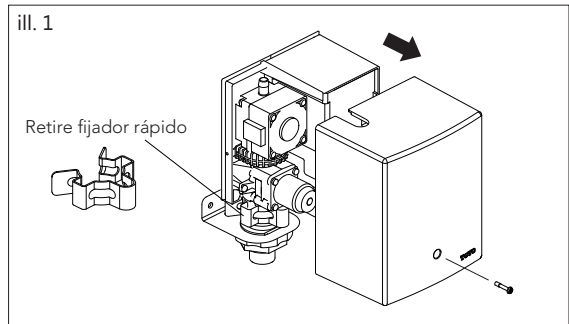
### ¡IMPORTANTE!

Si regulador del flujo (o montaje de regulador del flujo para TELC103-###E) se cae, vuelva a instalarlo en la orientación correcta como se muestra (anillo en O hacia filtro). De lo contrario el producto funcionará mal.

5. Vuelva a instalar el filtro limpio.
6. Vuelva a instalar el controlador en el adaptador hasta que esté completamente asentado, y asegúrelo con el fijador rápido.
7. Vuelva a instalar la cubierta, asegurándola con los tornillos.
8. Abra la tapa angular y verifique todas las conexiones.

Para limpiar la boquilla (ver ill. 2):

1. Retire la boquilla del surtidor con la herramienta proporcionada.
2. Limpie la boquilla con un cepillo suave para retirar toda la suciedad de la pantalla.
3. Reinstale la boquilla en el surtidor.



## ESPECIFICACIONES

Suministro de energía	Generación de Hidroenergía			
Rango de detección del sensor	5-1/8" ~ 7-7/8" (130~200mm)			
	El sensor tiene ajuste automático.			
Presión del suministro	Mínima requerida: 15 psi (100 kPa) (fluyendo)			
	Máxima: 80 psi (551 kPa)			
Conexión del suministro	G1/2			
Temperaturas de entrada	39 ~ 110°F (4 ~ 43.3°C)			
Temperaturas ambiente	32 ~ 104°F (0 ~ 40°C)			
Humedad	Max. 90% RH			
Velocidad del flujo	1.0 gpm	0.5 gpm		0.35 gpm
Duración	10 segundos	10 segundos	20 segundos	20 segundos
Volumen por ciclo	0.18 gpc (0.67 Lpc)	0.09 gpc (0.36 Lpc)	0.19 gpc (0.72 Lpc)	0.11 gpc (0.44 Lpc)

## RESOLUCIÓN DE PROBLEMAS

Problema	Causa	Solución
El agua no empieza a correr.	La superficie del sensor está sucia.	Limpie la superficie del sensor.
	Hay una obstrucción enfrente del sensor.	Retire la obstrucción.
	La válvula de suspensión está apagada.	Abra la válvula.
	El conector de la batería de respaldo está desconectada.	Conecte el conector de la batería de respaldo.
	El generador de energía y el conector del sensor están desconectados.	Fije perfectamente el (los) conector(es).
	El suministro de agua está suspendido.	Espere a que el suministro de agua se restablezca.
	El filtro o la pantalla reguladora está tapado.	Limpie el filtro y la pantalla reguladora.
El agua no sigue corriendo.	La superficie del sensor está sucia.	Limpie la superficie del sensor.
	Hay una obstrucción enfrente del sensor.	Retire la obstrucción.
	Si el agua continúa corriendo después de intentar las soluciones anteriores, cierre la válvula de suspensión.	
Velocidad del flujo baja.	La válvula de suspensión no está completamente abierta.	Abra la válvula de suspensión completamente.
	El filtro o la pantalla reguladora está tapado.	Limpie el filtro y la pantalla reguladora.
La temperatura del agua es demasiado alta.	La manija del control de temperatura está fija en "H".	Fije la manija del control de temperatura en el punto medio.
	La válvula de suspensión conectada al suministro de agua fría no está completamente abierta.	Abra la válvula de suspensión de agua fría completamente.
La temperatura del agua es demasiado baja.	La manija del control de temperatura está fija en "C".	Fije la manija del control de temperatura en el punto medio.
	La válvula de suspensión conectada al suministro de agua caliente no está completamente abierta.	Abra la válvula de suspensión de agua caliente completamente.
	La temperatura del suministro de agua caliente es menor a 120F.	Fije la temperatura del suministro de agua caliente en 120F.
La temperatura del agua no está controlada adecuadamente.	Un lado de la válvula de suspensión no está completamente abierto.	Abra la válvula de suspensión completamente.
	El filtro o la pantalla reguladora está tapado.	Limpie el filtro y la pantalla reguladora.
Rango de detección corto.	El sensor de ajuste automático puede no funcionar adecuadamente cuando está tapado o bloqueado por gotitas de agua.	Limpie la superficie del sensor.

# Garantía

1. TOTO garantiza que sus válvulas de descarga electrónica, grifos y dispensadores de jabón ("Producto") están libres de defectos en los materiales y mano de obra durante el uso normal cuando se instala y se mantiene de manera adecuada, por un período de tres (3) años a partir de la fecha de adquisición. Esta garantía limitada se extiende solamente al COMPRADOR ORIGINAL del Producto y no es transferible a terceros, incluyendo pero no taxativamente cualquier comprador o propietario subsecuente del Producto. Esta garantía se aplica solamente al producto TOTO adquirido e instalado en América del Norte, Central y Sur.
2. Las obligaciones de TOTO conforme a esta garantía se limitan a la reparación, reemplazo u otro ajuste apropiado, a discreción de TOTO, del Producto o las piezas que resulten defectuosas en su uso normal, siempre que dicho Producto fuera instalado, utilizado y mantenido adecuadamente en consonancia a las instrucciones. TOTO se reserva el derecho de realizar tantas inspecciones como sean necesarias para determinar la causa del defecto. TOTO no cobrará por la mano de obra o piezas con respecto a las reparaciones o reemplazos de la garantía. TOTO no es responsable del costo de la retirada, devolución o reinstalación del Producto.
3. Esta garantía no se aplica a los siguientes puntos:
  - a. Daños o pérdidas resultantes de una calamidad natural como incendio, terremoto, inundación, truenos, tormenta eléctrica, etc.
  - b. Daños o pérdidas resultantes de cualquier accidente, uso irrazonable, uso indebido, abuso, negligencia, o cuidado inadecuado, limpieza o mantenimiento del Producto.
  - c. Daños o pérdidas resultantes de los sedimentos o cuerpos extraños en un sistema de jabón líquido.
  - d. Daños o pérdidas resultantes de una instalación incorrecta o de la instalación del Producto en un ambiente áspero o peligroso, o retirada, reparación o modificación inadecuada del Producto.
  - e. Daños o pérdidas resultantes de sobrecargas eléctricas o rayos u otros actos que no sean responsabilidad de TOTO o que el Producto no es especificado para tolerar.
  - f. Daños o pérdidas resultantes del desgaste normal y habitual, como pérdida de brillo, rayado o desvanecimiento con el tiempo debido al uso, prácticas de limpieza, condiciones atmosféricas o agua, incluyendo pero no taxativamente, el uso de lejía, alcalinos, limpiadores ácidos, limpiadores secos (polvo) o limpiadores abrasivos o el uso de depuradores de metal o nylon.
4. Con el fin de que esta garantía limitada sea válida, se requiere una prueba de compra. TOTO le aconseja el registro de la garantía al momento de la compra para crear un registro de la propiedad del Producto en <http://www.totousa.com>. El registro del producto es completamente voluntario y no hacerlo no disminuirá los derechos de su garantía limitada.
5. ESTA GARANTÍA LE OTORGA DERECHOS LEGALES ESPECÍFICOS. PUEDE TENER OTROS DERECHOS QUE VARÍAN ENTRE ESTADOS, PROVINCIAS O PAÍSES.
6. A fin de obtener el servicio de reparación de la garantía en virtud de esta garantía, deberá llevar el producto o entregarlo prepago a un servicio técnico de TOTO junto con el comprobante de compra (recibo de venta original) y una carta que indique el problema, o póngase en contacto con un distribuidor o contratista de servicio de productos de TOTO o bien escriba directamente a TOTO U.S.A., INC., 1155 Southern Road, Morrow, GA 30260 (888) 295 8134 o (678) 466-1300, si no se encuentra en los Estados Unidos. Si, debido al tamaño del Producto o a la naturaleza del defecto, el Producto no se puede devolver a TOTO, el recibo de TOTO del aviso por escrito del defecto junto con el comprobante de compra (recibo de venta original) constituirá la entrega. En tal caso, TOTO puede optar por reparar el Producto en el lugar del comprador o pagar para transportar el Producto a un servicio técnico.

ESTA GARANTÍA POR ESCRITO ES LA ÚNICA GARANTÍA REALIZADA POR TOTO. LA REPARACIÓN, REEMPLAZO U OTRO AJUSTE ADECUADO, TAL COMO APARECE EN ESTA GARANTÍA SERÁ EL ÚNICO RECURSO DISPONIBLE PARA EL COMPRADOR ORIGINAL. TOTO NO SERÁ RESPONSABLE DE LA PÉRDIDA DEL PRODUCTO O DE OTROS DAÑOS INCIDENTALES, ESPECIALES O CONSECUENCIALES O GASTOS INCURRIDOS POR EL COMPRADOR ORIGINAL, O DE LA MANO DE OBRA U OTROS COSTOS RELACIONADOS CON LA INSTALACIÓN O RETIRADA, O COSTOS DE REPARACIONES REALIZADOS POR OTROS O DE NINGÚN OTRO GASTO QUE NO SE HUBIERA ESPECIFICADO ANTERIORMENTE. EN NINGÚN CASO LA RESPONSABILIDAD DE TOTO EXCEDERÁ EL PRECIO DE COMPRA DEL PRODUCTO. SALVO DISPOSICIÓN LEGAL CONTRARIA, TODA GARANTÍA IMPLÍCITA, QUE INCLUYE LA DE COMERCIABILIDAD O IDONEIDAD PARA USO O PARA UN PROPÓSITO PARTICULAR, ESTÁ EXPRESAMENTE PROHIBIDA. ALGUNOS ESTADOS NO PERMITEN LIMITACIONES SOBRE LA DURACIÓN DE UNA GARANTÍA IMPLÍCITA, O LA EXCLUSIÓN O LIMITACIÓN DE DAÑOS INCIDENTALES O CONSECUENTES, POR ESO LA LIMITACIÓN Y EXCLUSIÓN ANTERIORES PUEDEN NO APLICARSE EN ESTE CASO.

# TABLE DES MATIÈRES

Merci d'avoir choisi TOTO!.....	20	Entretien et nettoyage.....	25
Pièces incluses.....	20	Maintenance périodique.....	25
Prudence.....	21	Caractéristiques.....	26
	1 2	Dépannage.....	27
Initialisation du produit EcoPower.....	22	Garantie.....	28
Procédure d'installation.....	22	Robinetterie brute.....	38

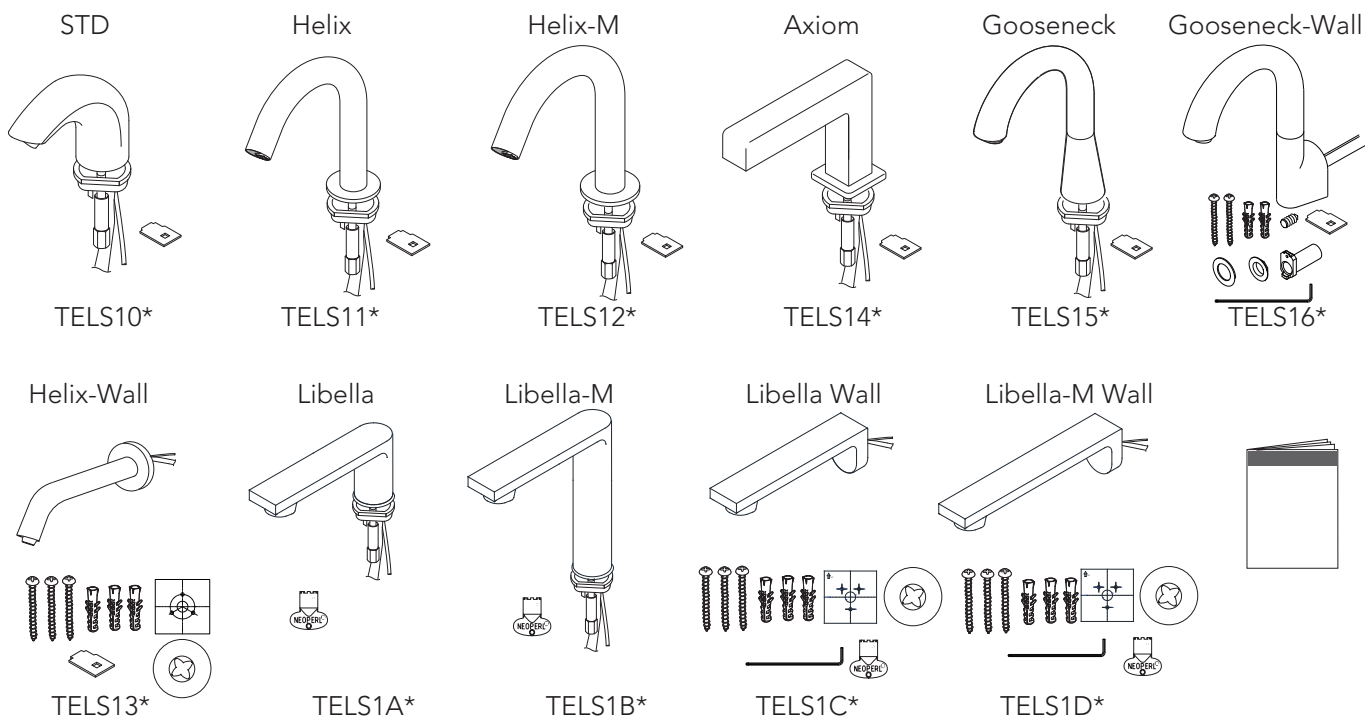
## MERCI D'AVOIR CHOISI TOTO!

La mission de TOTO est d'offrir au monde entier un style de vie sain, hygiénique et plus confortable. Comme principe de base, nous concevons chaque produit avec un équilibre entre la forme et la fonction. Félicitations pour votre choix.

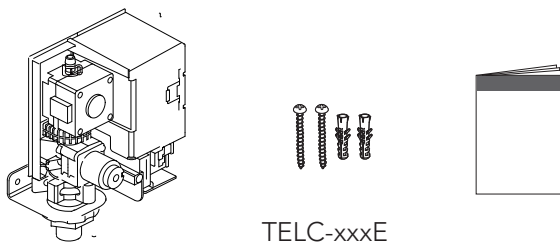
## PIÈCES INCLUSES

Vérifiez que toutes les pièces sont incluses dans votre paquet:\*:  
(l'apparence de certains éléments pourrait varier en fonction du modèle)

### BEC



### CONTRÔLEUR



## PRUDENCE

Veillez lire et respecter les consignes suivantes. Le non-respect de ces recommandations pourrait entraîner des blessures et/ou des dommages matériels.

- Personne d'autre qu'un ingénieur de service ne devrait démonter, réparer ou modifier ce robinet, à moins que cela soit décrit spécifiquement dans ce manuel. Le non-respect de ces recommandations pourrait causer le dysfonctionnement du produit.
- Réglez votre robinet seulement aux températures autorisées dans vos codes locaux.
- N'utilisez pas ce robinet dans des endroits humides où l'eau courante ou de la condensation pourrait s'accumuler à la surface, particulièrement dans un sauna ou un hammam.
- Ne pas frapper ou botter le robinet ou la boîte du contrôleur, car ceci pourrait endommager l'unité ou provoquer une fuite.
- Ne pas toucher la surface chaudes de la vanne d'arrêt de contrôleur, que la surface peut être très chaude.
- Débranchez le connecteur de la batterie de secours lorsque le robinet n'est pas utilisé pendant une longue période de temps.
- Assurez vous de toujours fermer la valve d'arrêt avant de nettoyer l'épurateur.
- Vérifiez régulièrement les tuyaux pour détecter les fuites.
- Si la température de la pièce diminue au point de congélation, enveloppez les tuyaux avec un isolant.
- Assurez vous que le cordon d'alimentation n'entre pas en contact avec le tuyau d'alimentation d'eau chaude.
- Évitez de placer tout objet dans la zone de détection du capteur infrarouge.

## AVANT DE COMMENCER

- Respecter tous les codes locaux de plomberie et de construction.
  - Vérifiez la pression de la source d'eau froide et/ou chaude.
    - La plage de pression recommandée est de 20 psi à 80 psi (138 kPa à 551 kPa). Si la pression d'eau d'approvisionnement dépasse 80 psi (551 kPa), veuillez réduire la pression à la plage recommandée au moyen d'une valve de réduction de pression (vendue séparément).
  - Vérifiez la température de l'alimentation en eau.
    - La plage de température d'alimentation recommandée est de 39 °F à 104 °F (4 °C à 40 °C)
    - N'utilisez jamais la vapeur comme source d'eau chaude.
  - Rincez toutes les conduites d'eau avant l'installation.
  - Autres précautions à prendre avant de commencer:
    - Portez une attention particulière afin que la surface du capteur ne soit pas défectueuse ou rayée pendant le processus d'installation.
    - Assurez vous que toute la tuyauterie, les valves d'arrêt, et les lignes de connexion sont installées en accordance avec les codes locaux.
    - Ne placez pas d'autres appareils qui utilisent un ondulateur ou un capteur infrarouge près du robinet, car ceci pourrait causer le dysfonctionnement du robinet.
- Il n'est pas recommandé d'avoir une pression d'eau supérieure à 80 psi pour la plupart des appareils de plomberie. Vérifiez votre code de plomberie local pour plus de détails.

## INITIALISATION DU PRODUIT ECOPOWER

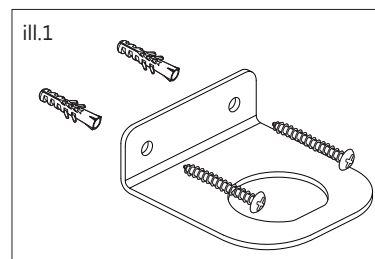
Comprenez qu'il faudra **au moins 5 minutes** après la connexion de la batterie pour que l'électronique s'intensifie. Ce délai est normal lors du démarrage.  
(Reportez-vous à la page 24 pour des illustrations.)

# PROCÉDURE D'INSTALLATION

## Installez le Contrôleur

**REMARQUE:** Avant d'installer le produit, soyez sûr de rincer soigneusement les tuyaux d'alimentation pour éliminer toute saleté et tous débris. Fermez la source d'eau aux valves d'arrêt après le rinçage.

1. Voir le sommaire de la page des dimensions pour déterminer l'emplacement approprié pour le contrôleur.
2. Enlevez les vis à l'avant de la couverture du contrôleur et tirez pour enlever.
3. Montez le support sur le mur. Si nécessaire, utilisez des chevilles (voir l'ill. 1).
4. Par le dessus, placez le contrôleur dans l'orifice du support. Serrez le grand écrou situé sous le support pour fixer le contrôleur (voir l'ill. 2).

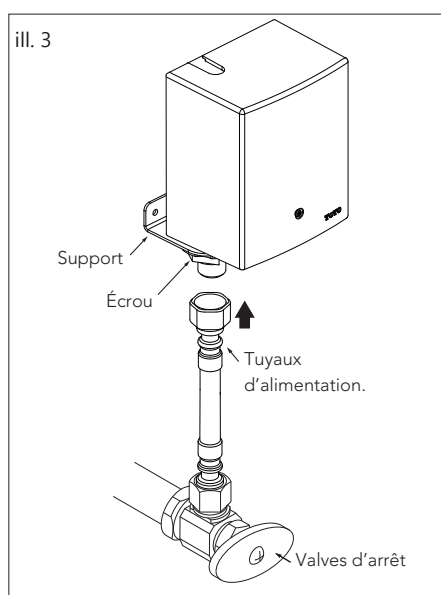
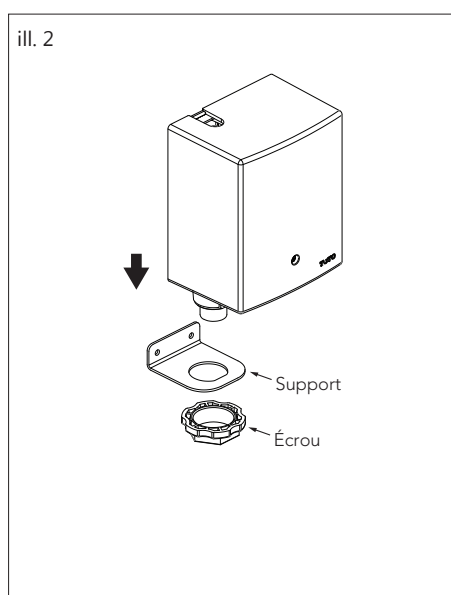


### IMPORTANT!

Assurez-vous d'installer le contrôleur dans le bon sens, comme indiqué. Sinon, le produit ne fonctionnera pas correctement.

5. Connectez la conduite d'alimentation en eau à l'adaptateur d'entrée (voir l'ill. 3).

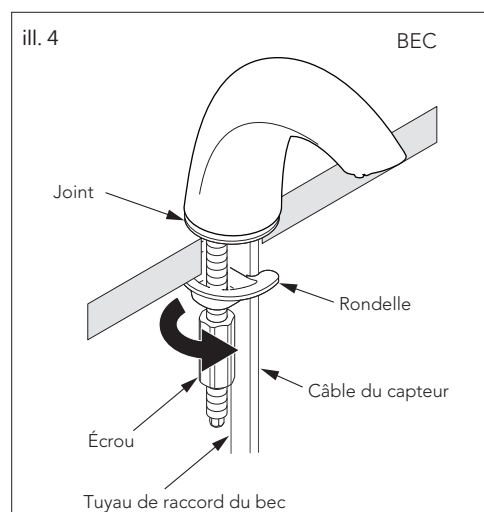
**REMARQUE:** Si vous utilisez une vanne thermostatique (vendue séparément), veuillez consulter son manuel d'installation pour plus de détails.



## Installez le Bec Verseur

Pour installer les modèles montés sur pont (ill. 4):

Serrer le bec sur le comptoir avec le support inclus et l'écrou hexagonal. Assurez-vous que le bec est monté avec la pointe dirigée vers le centre du bassin.

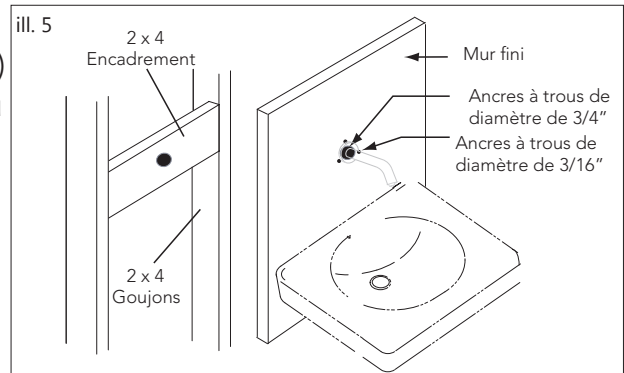


## PROCÉDURE D'INSTALLATION

Pour installer les modèles muraux à Helix et Libella (ill. 5)

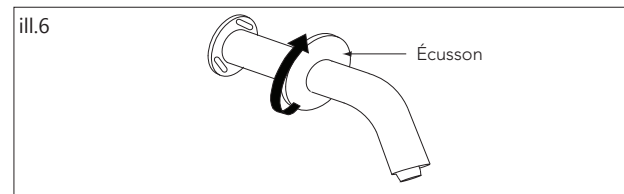
**NOTE:** L'ajout d'une charpente 2 x 6 "f derrière l' emplacement du bec est fortement recommandé.

1. Placez le gabarit de montage sur le mur à l'endroit désiré et marquez l'emplacement de tous les trous. Percez un trou de 5/8 po (16 mm) de diamètre à l'emplacement de montage du bec (centre) pour faire passer le tube d'alimentation et le cordon du capteur à travers.
2. Pour une installation sur du bois, percez trois (3) trous de guidage de 7/64 po (2,7 mm) de diamètre aux emplacements marqués. Pour une installation dans une cloison sèche ou dans des carreaux, percez trois (3) trous de 3/16 po (5 mm) de diamètre et insérez les chevilles à ras. Enfoncez-les légèrement à l'aide d'un marteau au besoin.



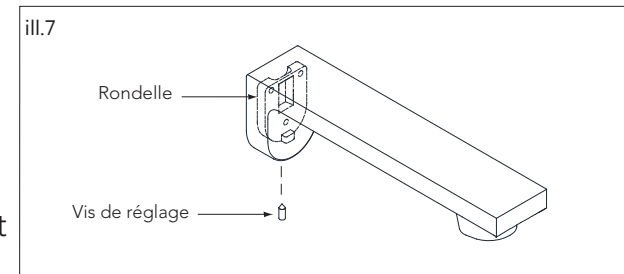
Pour installer les modèles muraux à Helix (ill. 6)

3. Faites passer le tube d'alimentation et le cordon du capteur à travers le trou central de 5/8 po (16 mm). Placez le bec contre le mur et fixez-le solidement avec les vis fournies.
4. Fixez la rosace sur le support en la serrant à la main.



Pour installer les modèles muraux à Libella (ill. 7)

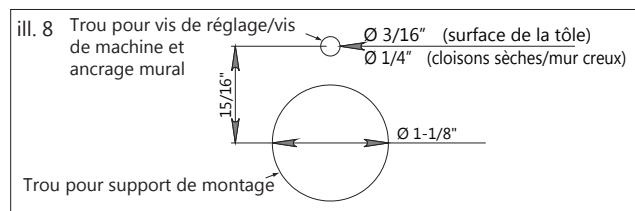
3. Placez le support de montage contre le mur et fixez-le solidement avec les vis fournies.
4. Insérez le tuyau et le cordon du capteur dans le support de montage, glissez la base du robinet sur le support de montage et serrez la vis sans tête pour fixer le robinet au support de montage.



Pour installer les modèles muraux à col de cygne (ill.8,9,10):

**NOTE:** Il est fortement recommandé de confirmer la solidité du mur avant de percer.

1. Percez un trou de 1-1/8" (29 mm) à l'emplacement désiré pour monter le support. Mettez le support de montage à travers le trou avec le trou de vis de réglage située à la position 12 heures. Marquez l'emplacement du trou de la vis de réglage sur le mur et enlevez le support de montage.



Pour la tôle: Percez un trou 3/16" (5 mm) à l'endroit marqué.

**NOTE:** Les forets (non fourni) pour les matériaux durs peuvent être nécessaires.

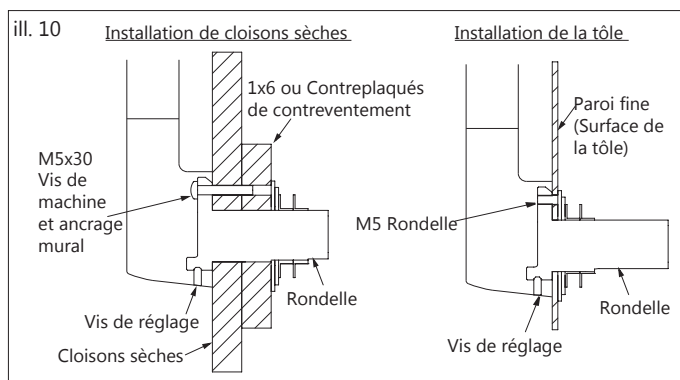
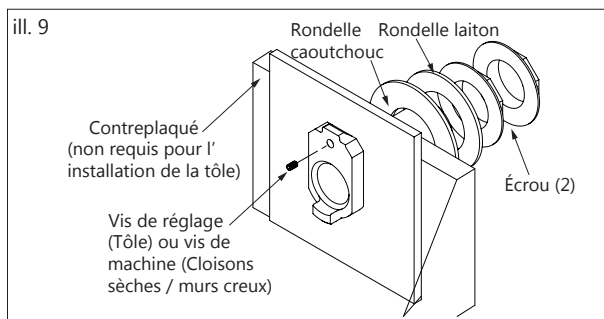
Pour une cloison sèche / la surface du mur

creux: Percez un trou de 1 / 4 "(6,5 mm) à l'endroit marqué, et installez les chevilles inclus.

**NOTE:** L'ajout d'un 1 x 6 "ou de contreplaqué contreventement derrière l'emplacement de montage est fortement recommandé pour les cloisons sèches / installations dans les murs creux. L'épaisseur totale maximale du mur est 2" (50 mm).

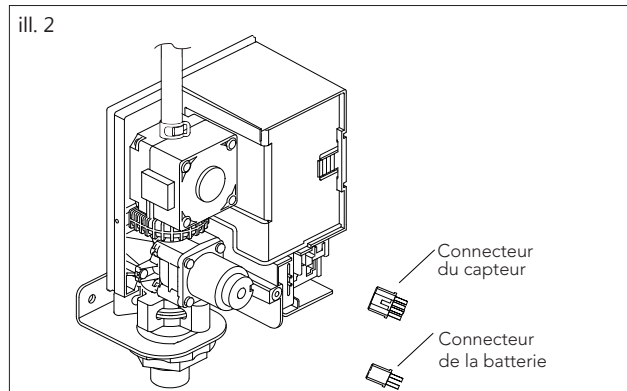
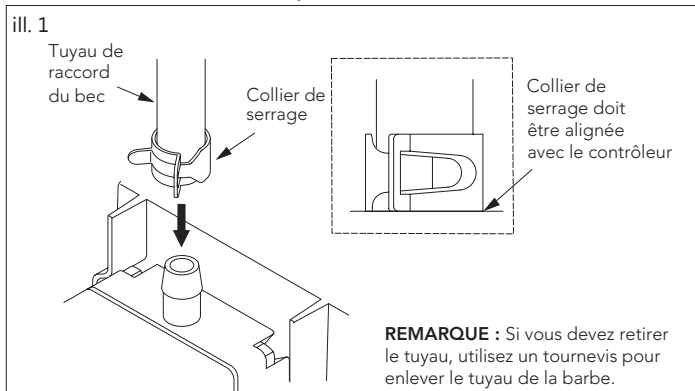
# PROCÉDURE D'INSTALLATION

- Installez le support de montage en utilisant la rondelle en caoutchouc, la rondelle en laiton, et les deux écrous en laiton sur le côté arrière de la surface d'installation. Installez l'ensemble de vis incluses (pour la tôle) ou la vis de machine (pour l'installation des cloisons sèches).
- Passez le tuyau et le cordon du capteur à travers le support de montage, faites glisser la base du bec au dessus du support de montage et serrez la vis de réglage pour fixer le bec au support de montage.



## Connectez le Bec au Contrôleur

- Si le tuyau de connexion du bec est trop long, coupez le à la longueur appropriée, et assurez vous que la pointe est carrée.
- Poussez le tuyau de connexion du bec sur la bordure de la sortie du contrôleur et le fixer avec le collier de serrage (voir ill.1) Assurez-vous que le collier de serrage du tuyau est placé complètement contre le contrôleur.
- Connectez le connecteur de la batterie de secours au contrôleur. ⌚ Il faudra **au moins 5 minutes** après la connexion de la batterie pour l'électronique pour l'initier. Assurez-vous qu' il n'ya pas d'obstacle entre le capteur et le bassin, puis connectez le connecteur du capteur du bec au contrôleur (voir ill.2).

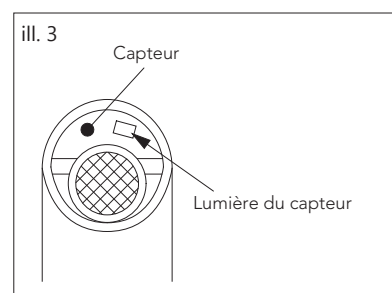


**AVERTISSEMENT:** Tirez le cordon du capteur à partir du bas du contrôleur au moment de l'installation de la couverture du contrôleur afin de s'assurer que le cordon n'est pas compressé.

### IMPORTANT!

Le robinet commencera un ajustement automatique de la plage de détection immédiatement après avoir branché le connecteur du capteur au contrôleur. Ne mettez pas les mains ni aucun objet devant le capteur. Ce processus peut prendre jusqu' à 20 secondes.

- Si la lumière du capteur continue à clignoter pendant plus de 20 secondes, la direction du bec devra être ajustée pour une opération correcte. Si l'ajustement est nécessaire, vous devez le faire dans les 10 minutes ou le processus d'ajustement se termine. Pour recommencer le processus, débranchez le connecteur du capteur pendant 10 secondes, et rebranchez le (voir ill.3).
- Vérifiez toutes les connexions puis réinstallez la couverture du contrôleur en la fixant avec des vis.



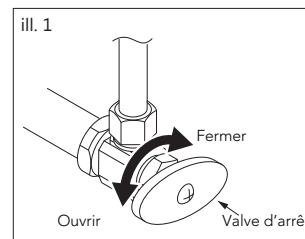
## PROCÉDURE D'INSTALLATION

### Essai de l'installation

- Ouvrez la source d'eau aux valves d'arrêt et inspectez toutes les connexions pour détecter toute fuite (voir ill.1).
- Placez la main sous le capteur pour l'activer.

**Pour le contrôleur de type "C"** (ex. TELC-103-C20E) : L'eau circulera pendant la période indiquée par le modèle. L'eau ne s'arrêtera pas lorsque vous retirerez votre main.

**Pour le contrôleur de type "D"** (ex. TELC-103-D20E) : L'eau coule pendant la période indiquée par le modèle, ou l'eau s'arrête lorsque vous retirez votre main.



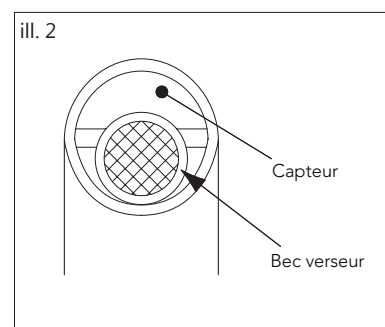
## ENTRETIEN ET NETTOYAGE

### Bec et Capteur

#### **IMPORTANT!**

Ne pas rayer le capteur lors du nettoyage du bec (voir ill.2).

- Évitez d'utiliser tout matériel de nettoyage qui pourraient rayer la surface du bec.
- Ne jamais utiliser de poudre de polissage, détergent qui comprend de grosses particules, de diluants, benzène, acides, alcalins ou de brosse à récurer en nylon, comme ceux-ci pourraient endommager la surface du bec.
- Pour nettoyer la surface en toute sécurité, essuyez-la avec un chiffon doux et humide, imbibé de savon vaisselle dilué et séchez avec un autre chiffon doux. Si cela ne nettoie pas convenablement la surface, essuyez-la avec un détergent neutre et un chiffon humide.



## MAINTENANCE PERIODIQUE

Inspectez votre robinet au moins une fois par mois pour détecter les problèmes potentiels suivants et pour conduire les procédures de maintenance suivantes:

### Inspectez pour détecter toute fuite

Vérifiez toutes les connexions d'eau pour détecter tout signe de fuite.

### Serrez le bec

Au cas où le bec est desserré, serrez l'écrou hexagonal sous le bec pour les modèles montés sur pont.

### **Serrez les spirales murales du bec:**

1. Dévissez l'écusson, serrez les trois vis qui maintiennent le support de montage au mur et les trois vis qui maintiennent le bec au support de montage.
2. Réinstallez l'écusson.

### **Pour serrer le bec mural à col de cygne:**

1. Fermez la source d'eau au-dessus des valves.
2. Débranchez le tuyau de connexion du bec et connecteur du capteur, du contrôleur.
3. Enlevez le bec du support de montage en élevant la vis de réglage au bas de la base du bec.
4. Serrez la vis de réglage à l'arrière du bec, puis réinstallez le bec sur le support de montage.
5. Comme requis, assurez-vous que la vis de fixation sur le support de montage et les écrous de montage derrière l'évier/mur (Voir la section "Installer le bec") sont bien serrés.

# MAINTENANCE PERIODIQUE

## Nettoyez le Tamis d'Entrée et le Bec Verseur

Lorsque le tamis de l'entrée est bouché, le débit va diminuer. Une réduction du débit peut conduire à une production d'électricité insuffisante, qui va appauvrir la batterie de secours rapidement.

Pour nettoyer le tamis (voir ill. 1):

1. Fermez l'eau et arrêtez les valves.
2. Retirez le couvercle puis débranchez l'attache rapide.
3. Déposez le contrôleur.
4. Déposez la crépine et nettoyez-la avec une brosse.

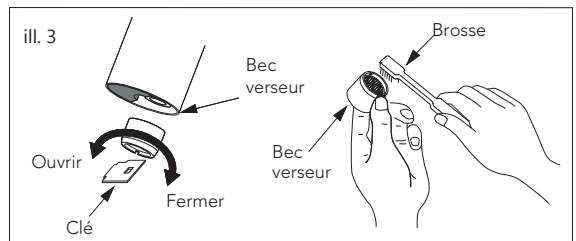
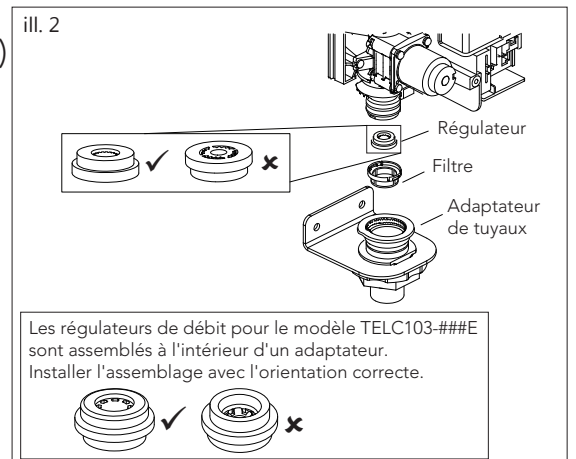
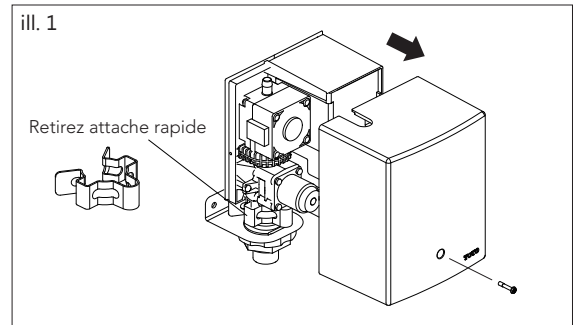
### IMPORTANT!

Veillez à installer le régulateur de débit (ou ensemble régulateur de débit pour TELC103-###E) dans le bon sens, comme indiqué (joint torique orienté vers filtre). Sinon, le produit ne fonctionnera pas correctement.

5. Réinstallez la crépine nettoyée.
6. Réinstaller le contrôleur dans l'adaptateur jusqu'à celui-ci est bien en place, et le fixer avec l'attache rapide.
7. Remettre le couvercle et le fixer avec les vis.
8. Ouvrez la vanne d'arrêt et vérifiez toutes les connexions.

Pour nettoyer la buse (voir ill. 2):

1. Enlevez la buse du bec avec les outils fournis.
2. Nettoyez la buse avec une brosse douce pour enlever toute saleté de l'écran.
3. Réinstallez la buse dans le bec.



## CARACTÉRISTIQUES

Source d'énergie	Production Hydroélectrique			
Détection du capteur	5-1/8" ~ 7-7/8" (130 ~ 200mm)			
	Le capteur est auto-réglable.			
Pression d'alimentation	Minimum requise: 15 psi (100 kPa) (coulant)			
	Maximum: 80 psi (551 kPa)			
Connexion d'alimentation	G1/2			
Température d'alimentation	39 ~ 110°F (4 ~ 43.3°C)			
Température ambiante	32 ~ 104°F (0 ~ 40°C)			
Humidité	Max. 90% RH			
Débit	1.0 gpm	0.5 gpm		0.35 gpm
Durée	10 secondes	10 seconde	20 secondes	20 secondes
Volume par cycle	0.18 gpc (0.67 Lpc)	0.09 gpc (0.36 Lpc)	0.19 gpc (0.72 Lpc)	0.11 gpc (0.44 Lpc)

## DÉPANNAGE

Problème	Cause	Solution
L' eau ne commence pas à couler.	La surface du capteur est sale.	Nettoyez la surface du capteur.
	Il y a un obstacle devant le capteur.	Enlevez l'obstacle.
	La valve d'arrêt est fermée.	Allumez la valve.
	La batterie de secours est débranchée.	Branchez les connecteurs de la batterie de secours.
	Le générateur d'énergie et le connecteur du capteur sont débranchés.	Fixez solidement le(s) connecteurs.
	La source d'eau est suspendue.	Attendez jusqu'à ce que la source d'eau soit restaurée.
	Le tamis ou l'écran de réglage est bouché.	Nettoyez le tamis et l'écran régulateur.
L'eau ne coule pas continuellement.	La surface du capteur est sale.	Nettoyez la surface du capteur.
	Il y a un obstacle devant le capteur.	Enlevez l'obstacle.
	Si l'eau continue à couler après avoir tenté toutes les solutions au dessus, fermez les valves d'arrêt.	
Débit faible.	La valve d'arrêt n'est pas complètement ouverte.	Ouvrez la valve d'arrêt complètement.
	Le tamis ou l'écran de réglage est bouché.	Nettoyez le tamis et l'écran régulateur.
La température de l'eau est trop élevée.	La poignée de contrôle de la température est fixée à "H" .	Fixez la poignée de contrôle de la température au point du milieu.
	La valve d'arrêt connectée à la source d'eau froide n'est pas complètement ouverte.	Ouvrez la valve d'arrêt d'eau froide complètement.
La température de l'eau est trop basse.	La poignée de contrôle de la température est fixée à "C" .	Fixez la poignée de contrôle de la température au point du milieu.
	La valve d'arrêt connectée à la source d'eau chaude n'est pas complètement ouverte.	Ouvrez la valve d'arrêt d'eau chaude complètement.
	La température de la source d' eau chaude est plus basse que 120°F.	Fixez la température de la source d'eau chaude à 120°F.
La température de l'eau n'est pas contrôlée correctement.	Un côté de la valve d'arrêt n'est pas complètement ouvert.	Ouvrez la valve d'arrêt complètement.
	Le tamis ou l'écran de réglage est bouché.	Nettoyez le tamis et l'écran régulateur.
Fourchette de détection courte.	Le capteur d'autorégulation peut ne pas fonctionner correctement lorsque tendu ou bloqué par des gouttelettes d'eau.	Nettoyez la surface du capteur.

# GARANTIE

1. TOTO garantit que ses robinets de chasse électroniques, robinets et distributeurs de savon (« produit ») sont exempts de défauts de matériaux et de fabrication pendant l'utilisation normale lorsqu'il sont correctement installés et entretenus, pour une durée de trois (3) ans à partir de la date d'achat. Cette garantie limitée est seulement offerte à l'ACHETEUR ORIGINAL du produit et n'est pas transférable à un tiers, y compris mais non de façon limitative tout acheteur ou propriétaire ultérieur du produit. Cette garantie s'applique uniquement aux produits de TOTO achetés et installés en Amérique du Nord, Centrale et du Sud.
2. Les obligations de TOTO en vertu de cette garantie sont limitées à la réparation, au remplacement ou à l'ajustement approprié, à la discrétion de TOTO, du produit ou des pièces défectueuses pendant l'utilisation normale, à condition qu'un tel produit soit correctement installé, utilisé et entretenu selon les instructions. TOTO se réserve le droit d'effectuer toute inspection jugée nécessaire dans le but de déterminer la cause du défaut. TOTO ne facturera pas la main-d'oeuvre ou les pièces relatives à des réparations ou remplacements sous garantie. TOTO n'est pas responsable du coût du retrait, du retour et/ou de la réinstallation du produit.
3. Cette garantie ne s'applique pas aux éléments suivants :
  - a. Dommages ou pertes résultant d'une catastrophe naturelle comme un incendie, un tremblement de terre, une inondation, la foudre, un orage électrique, etc.
  - b. Dommages ou pertes résultant de tout accident, de toute utilisation non raisonnable, incorrecte, abusive ou négligente, ou de soins, de nettoyage ou d'entretien inappropriés du produit.
  - c. Dommages ou pertes résultant des sédiments ou des corps étrangers présents dans un système de savon liquide.
  - d. Dommages ou pertes résultant de l'installation inappropriée ou de l'installation du produit dans un environnement rude et/ou dangereux, ou le retrait, la réparation ou la modification inapproprié(e) du produit.
  - e. Dommages ou pertes résultant de surtensions électriques, de la foudre ou d'autres actes qui ne constituent pas la faute de TOTO ou que le produit n'est pas conçu pour tolérer.
  - f. Dommages ou pertes résultant de l'usure normale et habituelle, comme la réduction de la brillance, les rayures ou la décoloration au fil du temps dues à l'usure, les pratiques de nettoyage ou l'eau ou les conditions atmosphériques, y compris mais non de façon limitative, l'utilisation de javellisant, d'alcalis, de nettoyeurs acides, de nettoyeurs secs (en poudre) ou de tout autre nettoyeur abrasif, ou l'utilisation de brosses en nylon ou en métal.
4. Pour que cette garantie limitée soit valide, une preuve d'achat est nécessaire. TOTO vous encourage à enregistrer la garantie à l'achat pour créer une trace de la propriété du produit à <http://www.totousa.com>. L'enregistrement du produit est complètement volontaire et le défaut d'enregistrement ne diminuera vos droits de garantie limitée.
5. CETTE GARANTIE VOUS DONNE DES DROITS LÉGAUX SPÉCIFIQUES. VOUS POURRIEZ AVOIR D'AUTRES DROITS VARIANT D'UN ÉTAT À L'AUTRE, D'UNE PROVINCE À L'AUTRE OU D'UN PAYS À L'AUTRE.
6. Pour obtenir une réparation sous garantie, vous devez emmener le produit ou le faire livrer en port payé à un centre de service TOTO avec une preuve d'achat (reçu d'achat original) et une lettre expliquant le problème, ou contacter un distributeur de TOTO ou un prestataire de service pour les produits, ou écrire directement à TOTO U.S.A., INC., 1155 Southern Road, Morrow, GA 30260 ou appeler (888) 295 8134 ou (678) 466-1300, si vous vous trouvez hors des États-Unis. S'il est impossible de retourner le produit à TOTO en raison de sa taille ou de la nature du défaut, la réception par TOTO d'un avis écrit du défaut accompagné de la preuve d'achat (reçu d'achat original) constitue la livraison. En pareil cas, TOTO pourrait choisir de réparer le produit sur le lieu où se trouve l'acheteur ou de payer le transport du produit vers un centre de service.

CETTE GARANTIE ÉCRITE CONSTITUE LA SEULE GARANTIE OFFERTE PAR TOTO. TOUTE RÉPARATION, TOUT REMPLACEMENT OU TOUT AUTRE AJUSTEMENT NÉCESSAIRE COUVERT PAR CETTE GARANTIE SERA LA SOLUTION EXCLUSIVE À LA DISPOSITION DE L'ACHETEUR ORIGINAL. TOTO N'EST PAS RESPONSABLE DE LA PERTE DU PRODUIT OU D'AUTRES DÉPENSES OU DOMMAGES ACCIDENTELS, PARTICULIERS OU CONSÉCUTIFS OCCASIONNÉS PAR L'ACHETEUR ORIGINAL, OU DE LA MAIN-D'OEUVRE OU DES AUTRES FRAIS DUS À L'INSTALLATION OU AU RETRAIT, OU DES FRAIS DE RÉPARATION PAR DES TIERS, OU DE TOUTE AUTRE DÉPENSE QUI N'EST PAS EXPRESSÉMENT MENTIONNÉE CI-DESSUS. EN AUCUNE CIRCONSTANCE LA RESPONSABILITÉ DE TOTO NE SERA SUPÉRIEURE AU PRIX D'ACHAT DU PRODUIT. SAUF DANS LA MESURE OÙ CELA EST INTERDIT PAR LA LOI EN VIGUEUR, TOUTE GARANTIE IMPLICITE, Y COMPRIS CELLE DE VALEUR MARCHANDE OU D'ADAPTATION À UN USAGE OU UN EMPLOI PARTICULIER, EST EXPRESSÉMENT EXCLUE. CERTAINS ÉTATS N'AUTORISENT PAS DE LIMITATIONS SUR LA DURÉE DE LA GARANTIE IMPLICITE OU L'EXCLUSION OU LA LIMITATION DES DOMMAGES INDIRECTS OU CONSÉCUTIFS; IL EST DONC POSSIBLE QUE LA LIMITATION ET L'EXCLUSION SUSMENTIONNÉES NE S'APPLIQUENT PAS À VOUS.

# ÍNDICE

Obrigado por escolher a TOTO!.....	29	Cuidados e limpeza .....	34
Peças incluídas .....	29	Manutenção periódica .....	34
Avisos .....	30	Especificações .....	35
Antes da instalação .....	30	Resolução de problemas .....	36
Inicialização do produto Self Power.....	30	Garantia .....	37
Procedimento de instalação .....	31	Dimensões aproximadas .....	38

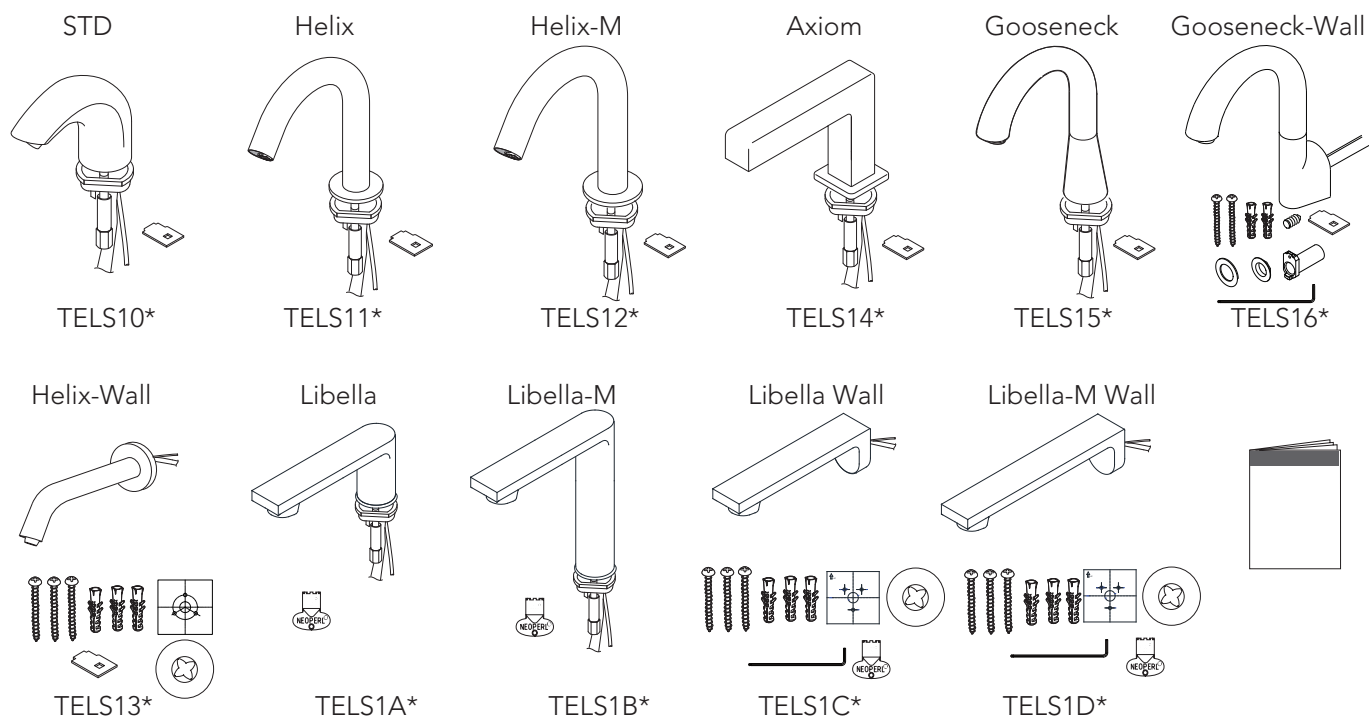
## OBRIGADO POR ESCOLHER TOTO!

A missão da TOTO é proporcionar ao mundo um estilo de vida saudável, higiénico e mais confortável. Como princípio norteador, projetamos cada produto com equilíbrio entre forma e função. Parabéns pela sua escolha.

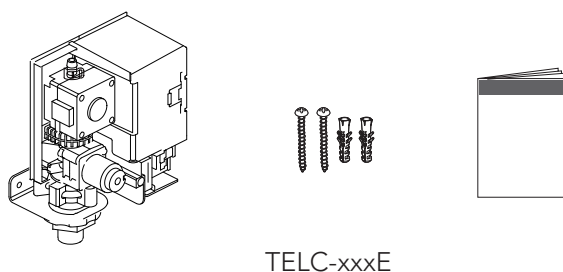
## PEÇAS INCLUÍDAS

Confira para certificar-se que todas estas peças constam da embalagem\*:  
(Aspecto de alguns componentes podem variar dependendo do modelo)

### BICA



### CONTROLADOR



## Avisos

Leia e respeite as seguintes recomendações. A não observância destas recomendações pode causar ferimentos pessoais e/ou danos no equipamento.

- Nenhuma outra pessoa além de um engenheiro de manutenção deve desmontar, reparar ou modificar esta torneira, a menos que esteja descrito especificamente neste manual. Se esse procedimento não for observado, pode resultar choque elétrico ou avaria do produto.
- Somente instale sua torneira à temperaturas permitidas em seus códigos locais.
- Não use essa torneira em um local úmido em que possa acumular água corrente ou de condensação na superfície, especialmente em uma sauna ou no banho de vapor.
- Não bata ou chute a torneira ou a caixa do controlador, pois isso pode danificar o aparelho ou causar um vazamento.
- Não toque na superfície do controlador da válvula de bloqueio, pois pode estar muito quente.
- Desconecte o conector da bateria de reserva quando a torneira não estiver em uso por um longo período de tempo.
- Feche sempre a válvula (s) antes de limpar o filtro.
- Verifique periodicamente a tubulação quanto a vazamentos.
- Se a temperatura cair ao nível de congelamento, isole os tubos.
- Certifique-se que o cabo de fornecimento não entre em contato com a tubulação do alimentador de água quente.
- Evite colocar quaisquer objetos dentro da faixa de detecção do sensor infravermelho.

## Antes da instalação

- Respeite todas as regulamentações locais e normas técnicas.
- Verifique a pressão nos pontos de alimentação de água fria e/ou quente.
  - A pressão estática de funcionamento recomendada para este produto é de 140 kPa a 551 kPa. Caso a pressão no(s) ponto(s) de alimentação forem superior a 551 kPa, reduza a pressão para o intervalo recomendado.
- Verifique a temperatura do abastecimento de água.
  - A faixa de temperatura de abastecimento dos pontos de água fria e quente recomendada é entre 39 °F - 104 °F (4 °C - 40 °C)
  - Nunca utilize vapor para abastecimento de água quente.
- Esvazie todos os ramais e subramais de água antes da instalação.
- Outras precauções antes de começar:
  - Tome cuidado para que a superfície do sensor não sofra danos ou riscos durante o processo de instalação.
  - Certifique-se de que todos os tubos, conexões, válvulas de bloqueio, ramais e sub-ramais foram instalados de acordo com as normas vigentes e regulamentações locais.
  - Não coloque outros dispositivos que utilizem um inversor ou sensor de infravermelhos perto da torneira, visto que isso pode provocar um funcionamento inadequado da torneira.

Verifique a regulamentação local e as normas técnicas para sistemas prediais de água fria e quente para obter mais detalhes.

## Inicialização do produto Self Power

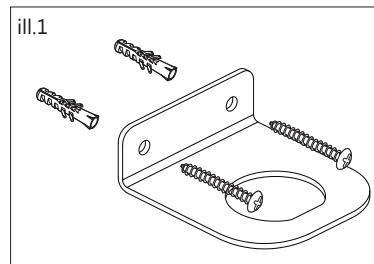
Por favor note que a bateria deve demorar **pelo menos 5 minutos** após a Eletrônica para inicializar. Esse atraso é uma parte normal da inicialização. (Consulte a página 33 para obter ilustrações.)

# Procedimento de instalação

## Instalando o controlador

**NOTA:** Antes de instalar a torneira, não se esqueça de remover minuciosamente as sujeiras e os detritos dos canos de abastecimento. Desligue o alimentador de água nas válvulas de bloqueio após a lavagem.

1. Veja na página a dimensão de desbaste para determinar o local adequado para o controlador.
2. Remova os parafusos na parte frontal da tampa do controlador e puxe para remova-o.
3. Instale o conjunto de fixação na parede. Caso seja necessário, utilize as buchas de fixação (veja ill. 1).
4. Encaixe o controlador na parte superior do conjunto de fixação. Aperte a porca do tubo de ligação pela parte inferior do conjunto de fixação de forma que o produto fique fixo e sem vazamentos (veja ill. 2).

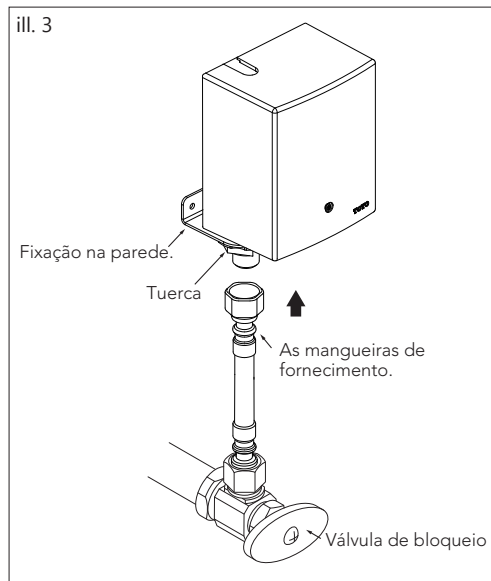
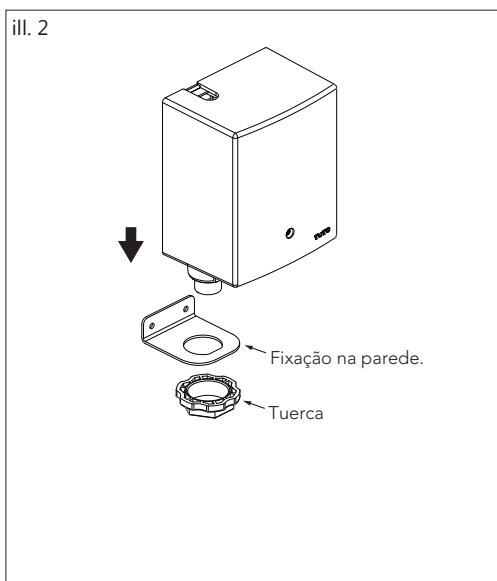


### IMPORTANTE!

Certifique-se que o controlador está instalado na posição correta. Caso ele o fluxo de água não esteja no sentido correto o produto pode não funcionar de maneira adequada.

5. Conecte o ponto de abastecimento no conector do produto (veja ill. 3).

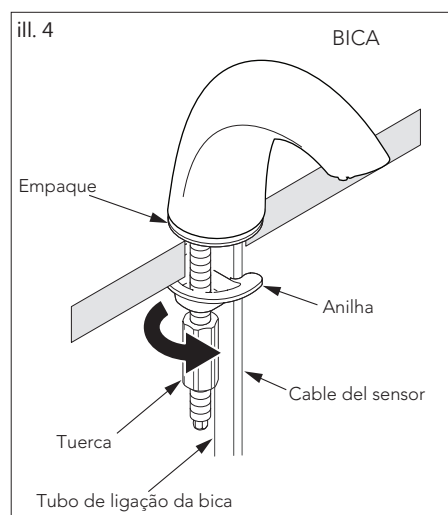
**NOTA:** Se uma válvula termostática (não inclusa no produto) estiver sendo utilizada, verifique o manual de instalação da mesma para maiores detalhes.



## Instalando a bica

Para instalar o modelo Deck-Mounted (ill.4):

Prenda a bica na bancada junto com o suporte e a porca sextavada. Certifique-se que a bica seja montada com a ponta direcionada para o centro da pia.

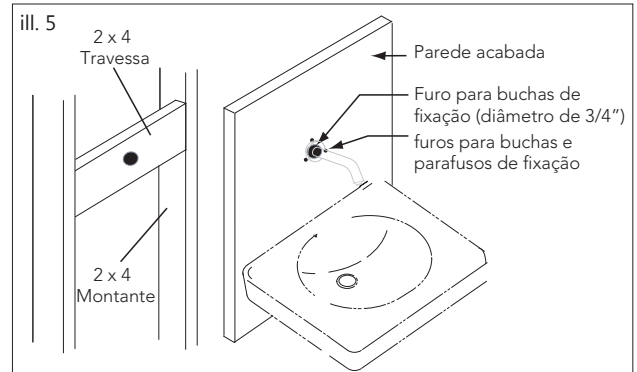


## Procedimento de instalação

Para instalar as torneiras de parede modelo Helix e Libella (ill. 5)

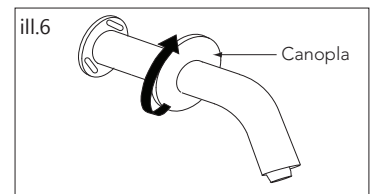
**NOTA:** no caso da instalação deste produto em parede de dry wall, a utilização de uma travessa 2" x 4" como suporte por atrás da parede, no local onde a bica será instalada é altamente recomendada.

1. Posicione o gabarito de instalação na parede no local desejado para instalação do produto e faça a marcação da posição dos furos. Faça a furação nos locais marcados com uma broca com diâmetro de 5/8" (16 mm) no local previsto para instalação da bica para passagem do tubo de ligação e do fio do sensor.
2. Para a instalação em paredes de madeira, faça três (3) furos com uma broca de 7/64" (2.7 mm) nas marcações. Para instalação em dry-wall ou azulejos, faça três furos com uma broca 3/16" (5 mm) e insira as buchas até que elas fiquem rentes a parede. Caso necessário utilize um martelo.



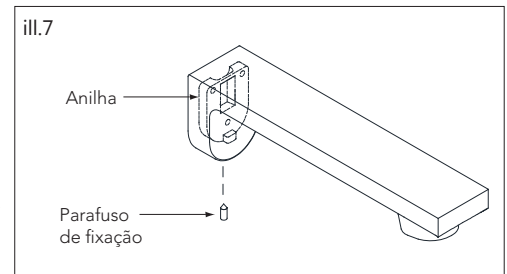
Para instalar as torneiras de parede modelo Helix (ill. 6)

3. Passe o tubo de ligação e o fio do sensor pelo furo até que ele alcance a furação da bica. Posicione a bica na parede e aperte os parafusos fornecidos até que a bica esteja fixa. Aperte a canopa de acabamento com a mão até que esteja fixa.



Para instalar as torneiras de parede modelo Libella (ill. 7)

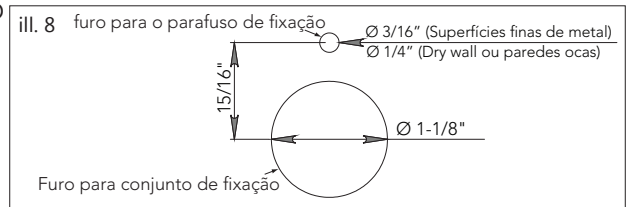
3. Coloque o suporte de montagem contra a parede e aperte seguramente com os parafusos fornecidos.
4. Passe a mangueira e o fio do sensor através do suporte de montagem, deslize a base da torneira sobre o conjunto de montagem e aperte o parafuso de assentar para prender a torneira no suporte de montagem.



Para instalar os modelos com bica alta de parede (ill. 8, 9 & 10)

**NOTA:** Recomenda-se a verificação da resistência da parede.

1. Faça um furo de 1-1/8" (29 mm) no local desejado para instalação do conjunto de fixação. Encaixe o conjunto de fixação no furo com o parafuso de fixação posicionado acima do furo (12 horas). Marque a localização dos parafusos de fixação na parede e remova o conjunto de fixação.



No caso da instalação em uma superfície de metal: Faça um furo com uma broca de 3/16" (5 mm) na posição marcada.

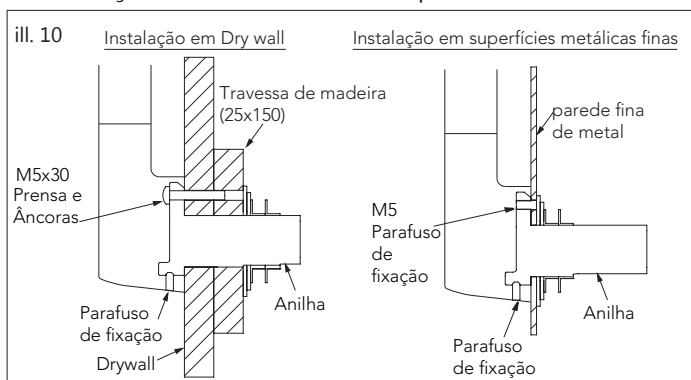
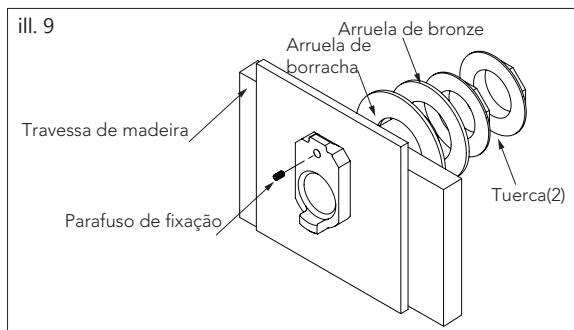
**NOTA:** Brocas para furação de superfícies extra-duras podem ser necessárias (não acompanham o produto)

No caso da instalação em paredes de drywall: Faça um furo com uma broca de 1/4" (6.5 mm) na posição marcada e instale as buchas de fixação.

**NOTA:** Caso este produto for instalado em paredes ocas ou de drywall, a utilização de um suporte de madeira de 1" x 6" por trás da parede na localização da bica é altamente recomendada. A espessura máxima para o conjunto parede e suporte é de 50 mm.

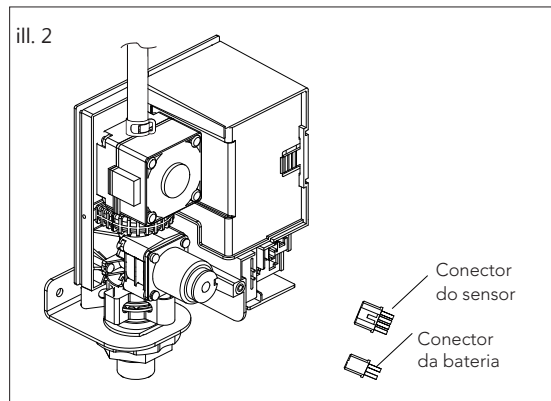
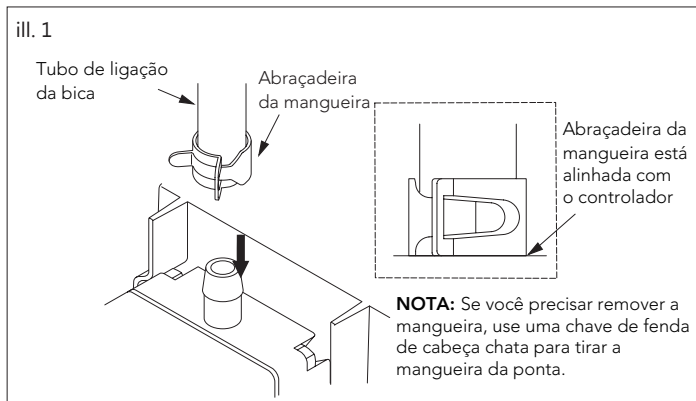
## Procedimento de instalação

2. Instale o conjunto de fixação utilizando as arruelas de borracha e de latão e as porcas de latão na parte de trás da superfície. Instale o conjunto de parafusos de fixação (para instalação em suportes metálicos) ou os parafusos de 30 mm (instalações em drywall).
3. Passe o tubo de ligação e o fio do sensor pelo conjunto de fixação e deslize a base de suporte da bica. Aperte os parafusos de fixação da base da bica para fixar a bica no conjunto de fixação.



### Conecte a bica no controlador

1. Se a bica da mangueira de ligação estiver muito longo, corte-o em um comprimento apropriado, e assegure-se que a ponta esteja ajustada.
2. Poussez le tuyau de connexion du bec sur la bordure de la sortie du contrôleur et le fixer avec le collier de serrage (veja ill.1) Assurez-vous que le collier de serrage du tuyau est placé complètement contre le contrôleur.
3. Ligue o conector da bateria de reserva no controlador. ⌚Levará **pelos menos 5 minutos** após a conexão da bateria para a eletrônica para inicializar. Verifique se existe obstruções entre o sensor e a pia, e em seguida instale o conector do sensor da bica no controlador (veja ill. 2).

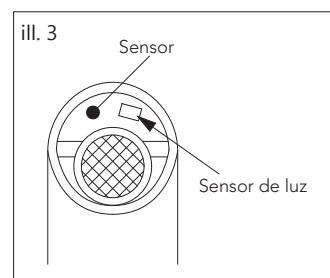


**AVISO:** Puxe levemente o cabo do sensor pela parte inferior para certificar-se que o cabo não está sendo esmagado pela bica.

### IMPORTANTE!

O sensor da torneira irá começar a ajustar o alcance do sensor automaticamente após ela ser ligada no controlador. Não posicione as mãos ou quaisquer outros objetos na frente do sensor. Este processo demora, aproximadamente, 20 segundos até finalizado.

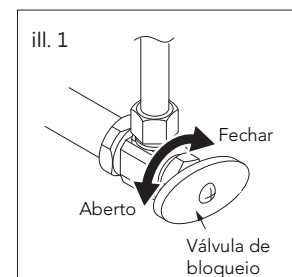
- Se a luz do sensor continuar a piscar por mais de 20 segundos, o direcionamento da bica deve ser reajustado para que funcione corretamente. Se for necessário um ajuste, você deve fazê-lo dentro de no máximo 10 minutos, antes que acabe o processo de ajuste. Para reiniciar o processo, desconecte o conector do sensor por 10 segundos, e então reconecte-o (veja ill. 3).
4. Verifique novamente todas as conexões e, em seguida reinstale a tampa do controlador, prendendo-o com os parafusos.



## Procedimento de instalação

### Testando o produto após a instalação

- Abra o alimentador de água nas válvulas de bloqueio e inspecione em toda as conexões se há vazamento (veja ill. 1).
- Posicione a mão em frente ao sensor para ativar o fluxo de água.  
**Pour le contrôleur de type "C"** (Ex: TELC103-C20E): L'eau circulera pendant la période indiquée par le modèle. L'eau ne s'arrêtera pas lorsque vous retirerez votre main.  
**Pour le contrôleur de type "D"** (Ex: TELC103-D20E): L'eau coule pendant la période indiquée par le modèle, ou l'eau s'arrête lorsque vous retirez votre main.



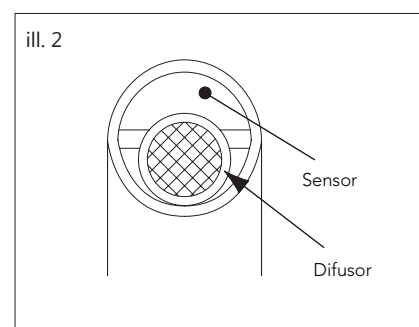
## Cuidados e limpeza

### Bica e Sensor

#### IMPORTANTE!

Não risque o sensor durante a limpeza da bica (veja ill. 2).

- Evite o uso de quaisquer materiais de limpeza que possam riscar ou danificar a superfície da torneira.
- Nunca use pó de polimento, detergentes que possuem partículas sólidas, solventes, derivados de benzeno, substâncias ácidas ou alcalinas, buchas de nylon e quaisquer outros materiais que possam danificar a superfície da bica e do sensor.
- Para limpar a superfície, utilize um pano macio umedecido com água e detergente neutro diluído. Seque a superfície com um pano macio seco. Caso isso não limpe a superfície de maneira adequada, utilize um pano macio molhado com detergente neutro.



## Manutenção periódica

Verifique sua torneira pelo menos uma vez por mês para os seguintes problemas potenciais e proceda com a seguinte manutenção:

### Verifique se há vazamento

Verifique em todas as conexões de água se há sinais de vazamento.

### Aperte a bica

Se a bica estiver solto, aperte a porca hexagonal debaixo da bica para o modelo deck-mounted.

Para fixar a bica de parede Helix:

1. Desrosqueie a porca de acabamento e aperte os parafusos de fixação do conjunto de fixação preso na parede.
2. Reinstale a porca de acabamento

Para fixar a bica alta de parede.

1. Feche a(s) válvula(s) de bloqueio para bloquear o fluxo de água
2. Desconecte o tubo de ligação e conector do sensor do controlador.
3. Remova a bica do conjunto de fixação desrosqueando os parafusos na parte inferior da base da bica.
4. Aperte os parafusos na base da bica novamente e reinstale a bica no conjunto de fixação.
5. Certifique-se que o conjunto de parafusos e porcas que fixam a base de fixação na parede atrás do lavatório estão devidamente fixos (veja a seção "Instalando a Bica")

## Manutenção periódica

### Limpeza do filtro de entrada e difusor

Quando o filtro de entrada estiver entupido, a vazão diminuirá. Diminuição da vazão pode causar a geração de energia insuficiente, que irá esgotar rapidamente a bateria de reserva.

Para limpar o filtro (veja ill. 1):

1. Feche o registro da água nas válvulas de bloqueio.
2. Remova a capa de proteção e desatarrache a trava de fixação.
3. Remova o controlador.
4. Remova o filtro e limpe-o com uma bucha ou escova.

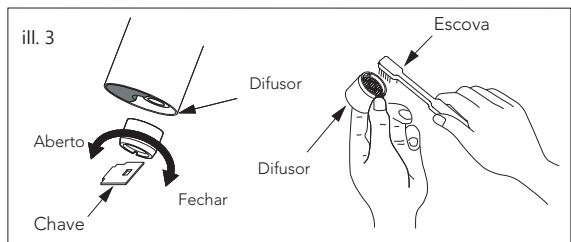
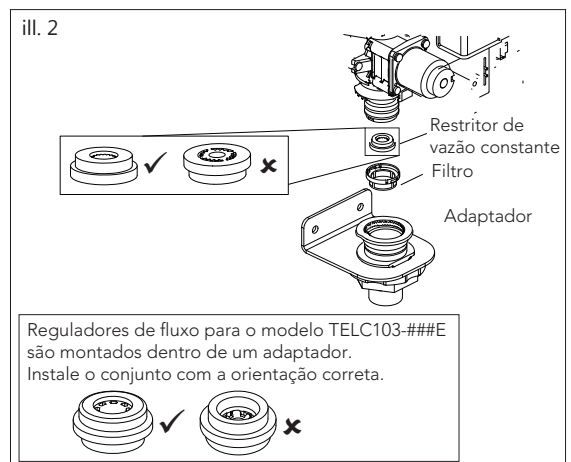
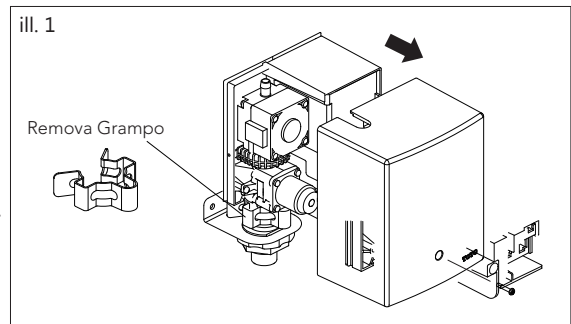
### IMPORTANTE!

Certifique-se que o restritor de vazão constante (o montagem para TELC103-####E) está instalado na posição correta, conforme demonstrado (anel em O orientado para filtro). Caso isso não seja feito, o produto pode não funcionar adequadamente.

5. Reinsale o filtro limpo.
6. Reinstale o controlador no adaptador até que ele esteja completamente encaixado e fixe-o com o grampo de fixação.
7. Reinstale a capa protetora e fixe-a com os parafusos de fixação.
8. Abra a válvula de bloqueio e verifique todas as conexões em busca de vazamentos.

Para limpar o difusor (veja ill. 2):

1. Remova o difusor da bica com a ferramenta fornecida.
2. Limpe o difusor com uma escova macia para remover qualquer sujeira do filtro.
3. Reinstale o difusor na bica.



## Especificações

Fonte de alimentação	Gerador de energia hídrica			
Faixa de detenção do sensor	5-1/8" ~ 7-7/8" (130 ~ 200mm)			
	O sensor é auto ajustável.			
Pressão do alimentador	Mínima pressão: 15 psi (100 kPa) (corrente)			
	Máxima: 80 psi (551 kPa)			
Conexão do alimentador	G1/2			
Temperatura de entrada	39 ~ 110°F (4 ~ 43.3°C)			
Temperatura ambiente	32 ~ 104°F (0 ~ 40°C)			
Umidade	Max. 90% RH			
Flow Rate	1.0 gpm	0.5 gpm		0.35 gpm
Duration	10 seconde	10 seconde	20 seconde	20 seconde
Volume per cycle	0.18 gpc (0.67 Lpc)	0.09 gpc (0.36 Lpc)	0.19 gpc (0.72 Lpc)	0.11 gpc (0.44 Lpc)

## Resolução de problemas

Problème	Causa	Solução
A água não começou a correr.	A superfície do sensor está suja.	Limpe a superfície do sensor.
	Há uma obstrução na frente do sensor.	Remova a obstrução.
	A válvula está desligada.	Ligue a válvula.
	Conector para bateria de reserva está desconectado.	Conecte a bateria de reserva no conector.
	O gerador de energia e conector do sensor estão desconectados.	Fixe firmemente o(s) conector(s).
	O alimentador de água está suspenso.	Aguarde até que a alimentação da água seja restabelecida.
	O filtro ou a tela de regulagem está entupida.	Limpe o filtro e tela de regulagem.
A água não pára de correr.	A superfície do sensor está suja.	Limpe a superfície do sensor.
	Há uma obstrução na frente do sensor.	Remova a obstrução.
	Se a água continua a correr depois de tentar as soluções acima, desligue a válvula.	
Vazão baixa.	A válvula de bloqueio não está totalmente aberta.	Abra completamente a válvula.
	O filtro ou a tela de regulagem está entupida.	Limpe o filtro e tela de regulagem.
A temperatura da água está muito alta.	O manípulo do controle da temperatura está fixado em " H".	Regule o manípulo do controle da temperatura no ponto médio.
	A válvula de bloqueio conectada ao alimentador de água fria não está totalmente aberta.	Abra completamente a válvula da água fria.
A temperatura da água está muito baixa.	O manípulo do controle da temperatura está fixado em " C".	Regule o manípulo do controle da temperatura no ponto médio.
	A válvula de bloqueio conectada ao alimentador de água quente não está totalmente aberta.	Abra completamente a válvula de bloqueio de água quente.
	A temperatura do alimentador de água quente é inferior a 120°F. (49°C).	Ajuste a temperatura do alimentador de água quente para 120°F (49°C).
A temperatura da água não foi controlada apropriadamente.	Um lado da válvula de bloqueio não está totalmente aberta.	Abra completamente a válvula.
	O filtro ou a tela de regulagem está entupida.	Limpe o filtro e tela de regulagem.
Faixa de detecção curta.	O sensor de auto-ajuste pode não funcionar corretamente quando estiver esticado ou bloqueado por gotículas de água.	Limpe a superfície do sensor.

# GARANTIA

TOTO DO BRASIL DISTRIBUIÇÃO E COMÉRCIO, LTDA.

## GARANTIA LIMITADA DE TRÊS ANOS

A garantia se aplica somente às Válvulas de Descarga Eletrônicas, Torneiras e Distribuidores de Sabão.

1. A TOTO garante suas válvulas de descarga eletrônicas, torneiras e dispensadores de sabão ("Produto") contra defeitos de material e de fabricação durante o uso normal quando instalados e submetidos à manutenção adequada, por um período de três (3) anos à partir da data da compra. Esta garantia limitada é estendida apenas ao COMPRADOR ORIGINAL do Produto e não é transferível a terceiros, incluindo, mas não limitado a, qualquer comprador ou proprietário subsequente do Produto. Esta garantia se aplica somente a Produtos da TOTO comprados e instalados no Brasil.
2. As obrigações da TOTO sob esta garantia estão limitadas a reparos, substituições ou outros ajustes apropriados, a critério da TOTO, do Produto ou de peças que apresentem defeitos durante o uso normal, contanto que tal Produto tenha sido instalado, usado e submetido à manutenção adequada de acordo com as instruções. A TOTO se reserva o direito de realizar tais inspeções conforme necessário para determinar a causa do defeito. A TOTO não cobrará pela mão de obra ou por peças relacionadas a reparos ou substituições em garantia. A TOTO não é responsável pelo custo de remoção, devolução e/ou reinstalação do Produto.
3. Esta garantia não se aplica aos seguintes itens:
  - a. Danos ou perdas sofridos em desastres naturais como incêndios, terremotos, enchentes, trovoadas, tempestades elétricas etc.
  - b. Danos ou perdas resultantes de quaisquer acidentes, uso excessivo, uso indevido, abuso, negligência ou de cuidados, limpeza ou manutenção inadequada do Produto.
  - c. Danos ou perdas resultantes de sedimentos ou corpos estranhos contidos em um sistema hidráulico.
  - d. Danos ou perdas resultantes de instalação inadequada ou instalação do Produto em um ambiente severo e/ou de risco, ou de remoção, reparos ou modificações inadequados do Produto, o que inclui o uso de componentes não originais da TOTO.
  - e. Danos ou perdas resultantes de oscilações de energia ou quedas de raios ou outros atos que não sejam de responsabilidade da TOTO ou os quais o Produto não seja especificado para suportar.
  - f. Danos ou perdas resultantes do desgaste normal e habitual, como redução do brilho, arranhões ou desbotamento ao longo do tempo devido ao uso, práticas de limpeza ou água ou condições atmosféricas, incluindo, mas não limitados a, o uso de alvejantes, álcali, limpadores ácidos, limpadores a seco (pó) ou quaisquer outros limpadores abrasivos ou o uso de esponjas de metal ou nylon.

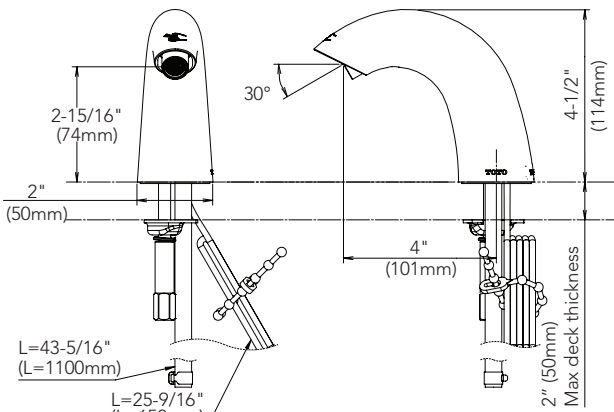
Para obter o serviço de reparos da garantia sob esta garantia, por favor envie um e-mail para [suporte@br.toto.com](mailto:suporte@br.toto.com) para obter instruções sobre como proceder com sua reivindicação. Você pode ser instruído a (1) levar o Produto ou fazer a entrega pré-paga a um prestador de serviços da TOTO juntamente com o comprovante de compra (recibo de compra original) e uma carta declarando o problema; (2) entrar em contato com um distribuidor ou prestador de serviços de produtos da TOTO; ou (3) se, devido ao tamanho do Produto ou natureza do defeito, o Produto não puder ser devolvido a um centro de assistência autorizado da TOTO, a TOTO pode optar por reparar o Produto no local do comprador ou pagar pelo transporte do Produto para uma prestadora de serviços.

**ATENÇÃO!** A TOTO não é responsável por qualquer defeito de, ou dano a, esse Produto causado por cloraminas no tratamento do fornecimento público de água ou limpadores contendo cloro (hipoclorito de cálcio). **ATENÇÃO:** O uso de alta concentração de cloro ou produtos à base de cloro pode danificar seriamente os acessórios. Esse dano pode causar vazamentos e outros problemas graves.

**ESTA GARANTIA POR ESCRITO É A ÚNICA GARANTIA FEITA PELA TOTO. REPAROS, SUBSTITUIÇÕES OU OUTROS AJUSTES APROPRIADOS CONFORME FORNECIDOS SOB ESTA GARANTIA SERÃO O ÚNICO RECURSO DISPONÍVEL AO COMPRADOR ORIGINAL. A TOTO NÃO SERÁ RESPONSÁVEL PELA PERDA DO PRODUTO OU POR OUTROS DANOS OU GASTOS INCIDENTAIS, ESPECIAIS OU CONSEQUENTES INCORRIDOS PELO COMPRADOR ORIGINAL OU POR CUSTOS DE MÃO DE OBRA OU OUTROS DEVIDO À INSTALAÇÃO OU REMOÇÃO, OU CUSTOS DE REPAROS FEITOS POR TERCEIROS, OU POR QUALQUER OUTRO GASTO NÃO DECLARADO ESPECIFICAMENTE ACIMA. EM NENHUM CASO A RESPONSABILIDADE DA TOTO EXCEDERÁ O PREÇO DE COMPRA DO PRODUTO. EXCETO QUANTO À EXTENSÃO PROIBIDA POR LEI APLICÁVEL, QUAISQUER GARANTIAS IMPLÍCITAS, INCLUINDO A DE COMERCIALIZABILIDADE OU ADEQUAÇÃO PARA USO OU PARA UMA FINALIDADE ESPECÍFICA, SÃO EXPRESSAMENTE ISENTAS. ALGUNS PAÍSES, REGIÕES, ESTADOS ETC. NÃO PERMITEM LIMITAÇÕES SOBRE A DURAÇÃO DE UMA GARANTIA IMPLÍCITA OU A EXCLUSÃO OU LIMITAÇÃO DE DANOS INCIDENTAIS OU CONSEQUENTES, PORTANTO, A LIMITAÇÃO E A EXCLUSÃO ACIMA PODEM NÃO SE APLICAR A VOCÊ.**

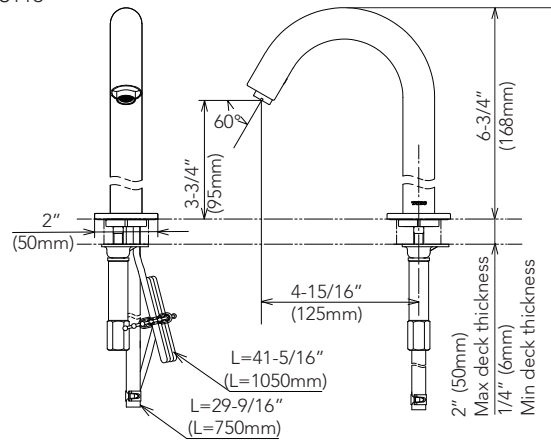
# ROUGH-IN DIMENSIONS / BOSQUEJO / ROBINETTERIE BRUTE/DIMENSÕES APROXIMADAS

STD  
TELS105  
TELS101  
TELS103



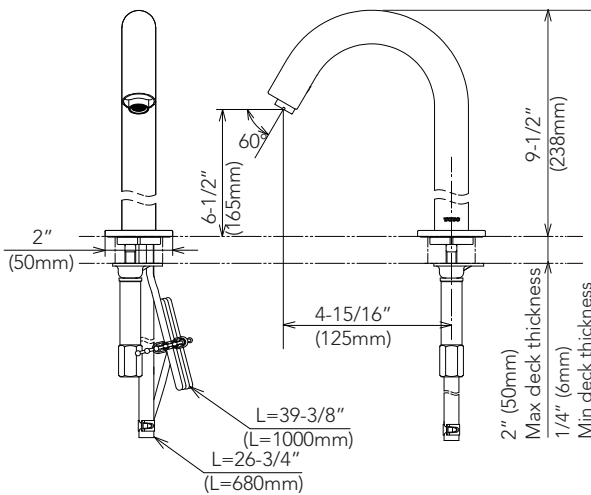
Faucet hole Ø1-1/4" (Ø32mm)- Ø1-3/8" (Ø35mm)

Helix  
TELS115  
TELS111  
TELS113



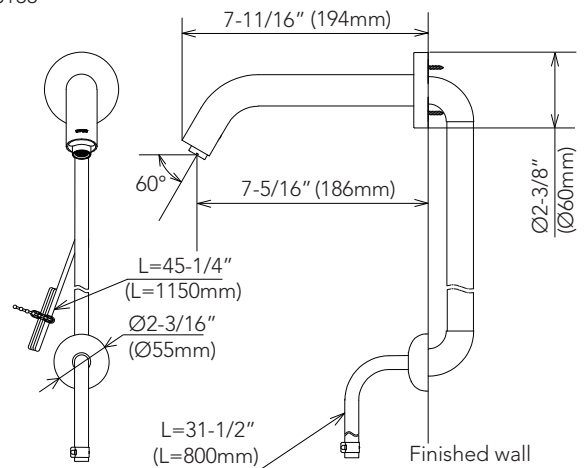
Faucet hole Ø1-1/4" (Ø32mm)- Ø1-3/8" (Ø35mm)

Helix-M  
TELS125  
TELS121  
TELS123

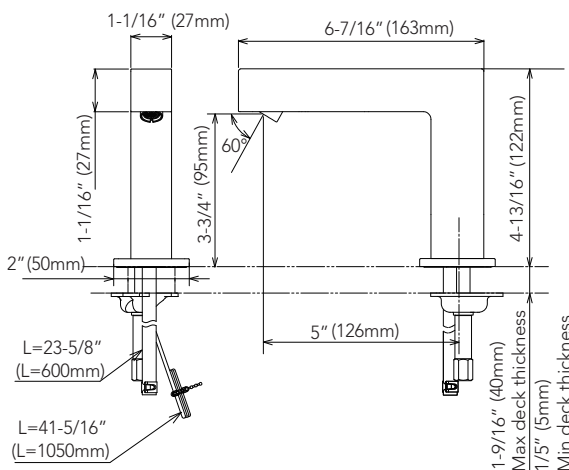


Faucet hole Ø1-1/4" (Ø32mm)- Ø1-3/8" (Ø35mm)

Helix-Wall  
TELS135  
TELS131  
TELS133

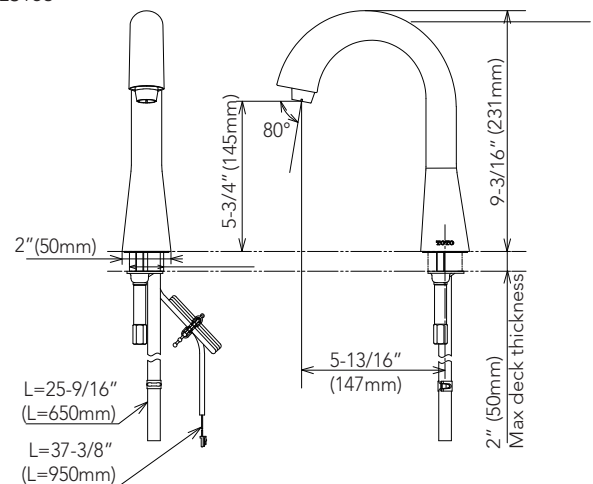


Axiom  
TELS145  
TELS141  
TELS143



Faucet hole Ø1-1/4" (Ø32mm)- Ø1-3/8" (Ø35mm)

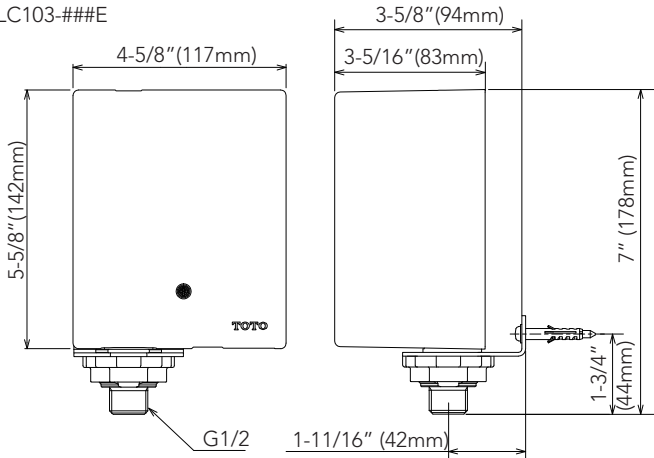
Gooseneck  
TELS155  
TELS151  
TELS153



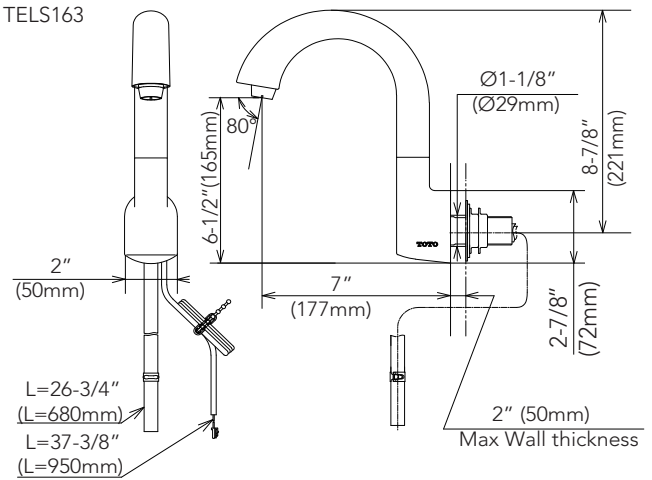
Faucet hole Ø1-1/4" (Ø32mm)- Ø1-3/8" (Ø35mm)

# ROUGH-IN DIMENSIONS / BOSQUEJO / ROBINETTERIE BRUTE/DIMENSÕES APROXIMADAS

Controllers  
TELC105-###E  
TELC101-###E  
TELC103-###E

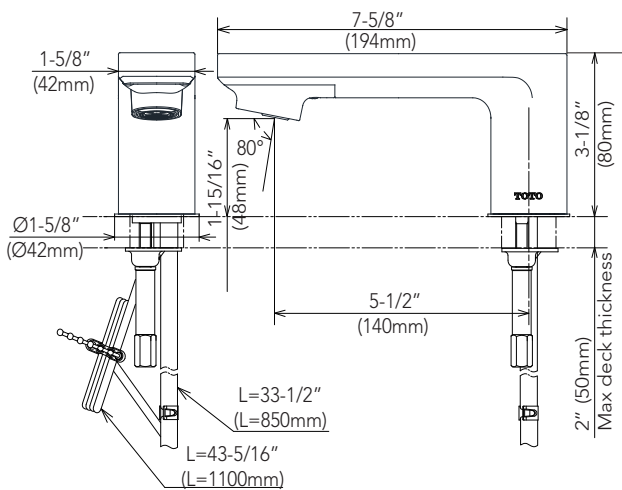


Gooseneck-Wall  
TELS165  
TELS161  
TELS163



Libella

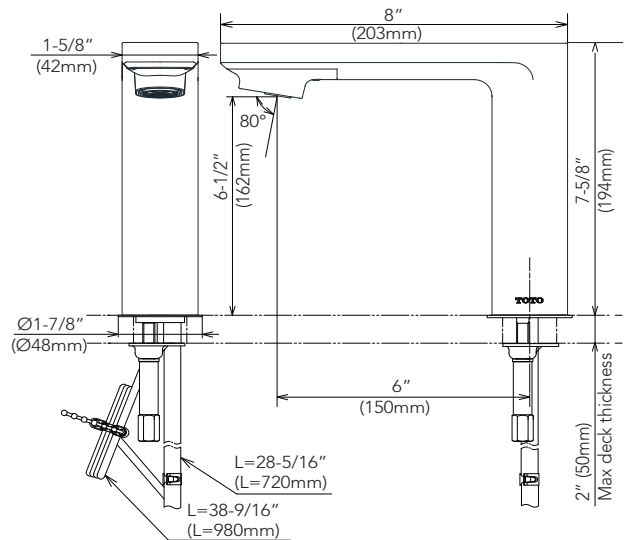
TELS1A5  
TELS1A1  
TELS1A3



Faucet hole  $\varnothing 1-1/4"$  ( $\varnothing 32\text{mm}$ )-  $\varnothing 1-3/8"$  ( $\varnothing 35\text{mm}$ )

Libella-M

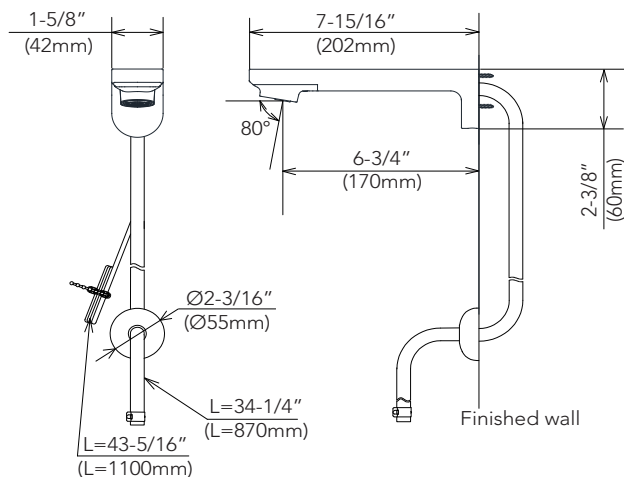
TELS1B5  
TELS1B1  
TELS1B3



Faucet hole  $\varnothing 1-1/4"$  ( $\varnothing 32\text{mm}$ )-  $\varnothing 1-3/8"$  ( $\varnothing 35\text{mm}$ )

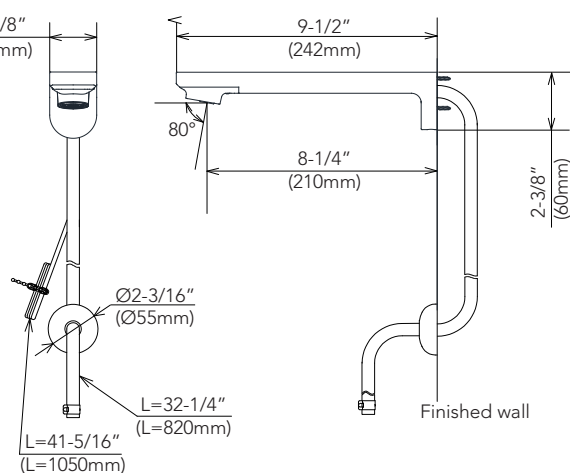
Libella Wall

TELS1C5  
TELS1C1  
TELS1C3



Libella-M Wall

TELS1D5  
TELS1D1  
TELS1D3



# TOTO

TOTO U.S.A., Inc. 1155 Southern Road,  
Morrow, Georgia 30260  
Tel: 888-295-8134 Fax: 800-699-4889  
[www.totousa.com](http://www.totousa.com)

0GU3069

Rev. C



OG400XN

## Warranty Registration and Inquiry

For product warranty registration, TOTO U.S.A. recommends online warranty registration. Please visit our web site <http://www.totousa.com>. If you have questions regarding warranty policy or coverage, please contact TOTO U.S.A. Inc., Customer Service Department, 1155 Southern Road, Morrow, GA 30260 (888) 295-8134 or (678) 466-1300 when calling from outside of U.S.A.