

WT153M & WT154M

WT153M
CWT437117MFG-3

WT154M
CWT437117MFG-4

DuoFit™ In Wall Tank System For 2x6 & 2x4 Wall Stud Installation Dual-Max®, 1.28 Gpf/4.8 Lpf & 0.9 Gpf/3.4Lpf Adjustable Height 15" - 19"

Item	Part	Description
1	THU329	Stop Valve
2	THU728	Actuator
3	THU323	Fill Valve Hose (Braided Nylon)
4	THU294	Fill Valve Assembly (Stainless Steel)
4	THU134	Fill Valve Assembly w/ bracket & filter
5	THU729	Flush Valve Assembly w/ hold down bracket
6	9BU076	Seal Gasket for Flush Valve (1 pc)
7	THU367	Seal Gasket for Flush Valve (5 pc)
8A	9AU283	Red Push Rod (Partial Flush)
8B	9AU270	Blue Push Rod (Full Flush)
9	9BU086	Gasket for Outlet Pipe Elbow
10	THU327	Outlet Pipe Elbow for 2x6 wall - HDPE
	THU335	Outlet Pipe Elbow for 2x6 wall - Cast Iron
11	THU313	HD Plastic Tank w/ O-ring & foam
12	9BU087	O-ring for Inlet Pipe
13	9AU282	Bracket for Outlet Pipe Elbow
14	THU320	Mounting Hardware Parts Bag
15	THU334#01	Toilet Connection Assembly Parts
16	THU316	Sound Damper Pad Set
17	6BU033	Threaded Rod Screw M12 x 180
18	6BU035	Lag Screws (x8)
19	9AU273	Lower Bracket for Outlet Pipe Elbow
20	THU343	2x4 Outlet Drain Kit
21	THU468	Washlet Connection Kit

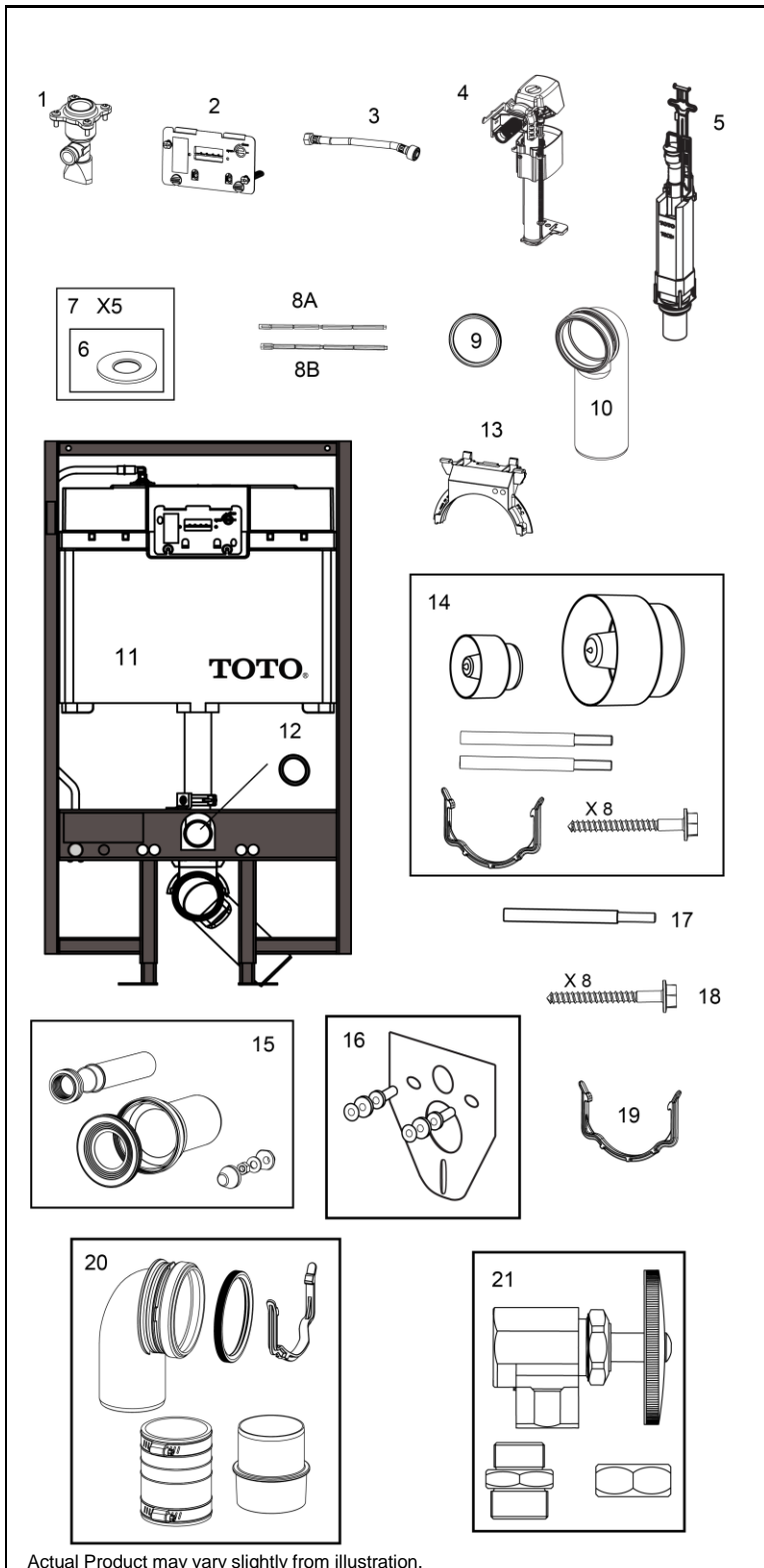
Note:

Parts for the WT151M, WT152M, WT153M, & WT154M In Wall Tank systems are interchangeable, with the exception of THU728 and THU729 which are for WT153 & WT154 only.

Product Number Explanations

In Wall Tank

(CWT) Bowl, Tank, Face Plate & Seat Combination
(WT) In Wall Tank
(153) Model w/ Pex Supply line
(154) Model w/ Copper Supply Line
(M) Dual-Max®



Actual Product may vary slightly from illustration.

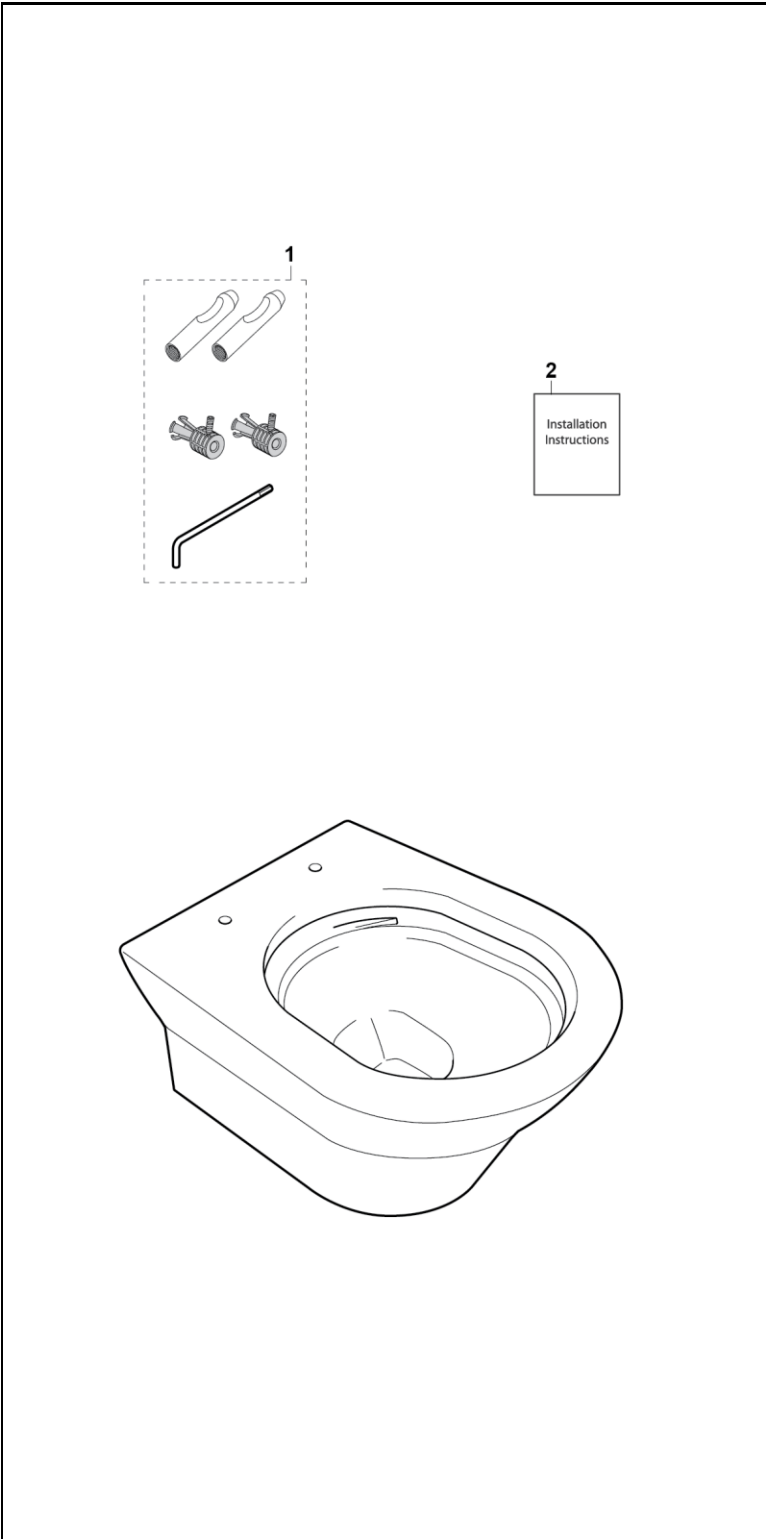
CT437FG
CWT437117MFG-3

CWT437117MFG-4

MH

**1.28/0.9 Gpf Toilet, D-shape,
3D Tornado™, Wall Hung, Universal Height,
CeFIONtect™**

Item	Part	Description
1	THU725	Mounting Hardware
2	OGU084	Installation Instruction



Note:

Product Number Explanations

Wall Hung Toilet
(CWT) Bowl, Tank, Face Plate, &
Seat Combination
(#01) Cotton
(437) Toilet Model
(117) Seat Model
(M) Dual Flush
(F) Universal Height
(G) CeFIONtect™

Actual Product may vary slightly from illustration.