

Upton® Single-Handle Lavatory Faucet

FEATURES

- WaterSense certified low-flow 1.2 gpm (4.5 lpm) faucet
- Lever handle
- Solid brass construction
- Ceramic disk mixing cartridge
- Metal pop-up drain assembly included

COLORS/FINISHES

- #CP Polished Chrome
- #BN Brushed Nickel

OPTIONAL ACCESSORIES

- THP3158#CP - 4" Cover Plate
- 71244T8CC - 8" Cover Plate

CODES/STANDARDS

- Complies with federal and state lead-free legislation
- Meets or exceeds ASME A112.18.1/CSA B125.1, NSF 61-9, NSF 372
- Certifications: IAPMO(cUPC), EPA WaterSense, California Energy Commission (CEC), State of Massachusetts and others
- Code Compliance: UPC, IPC, NSPC, NPC Canada, California Green Building Code, City of Los Angeles Water Efficiency Ordinance, City of New York and others
- ADA compliant



PRODUCT SPECIFICATION

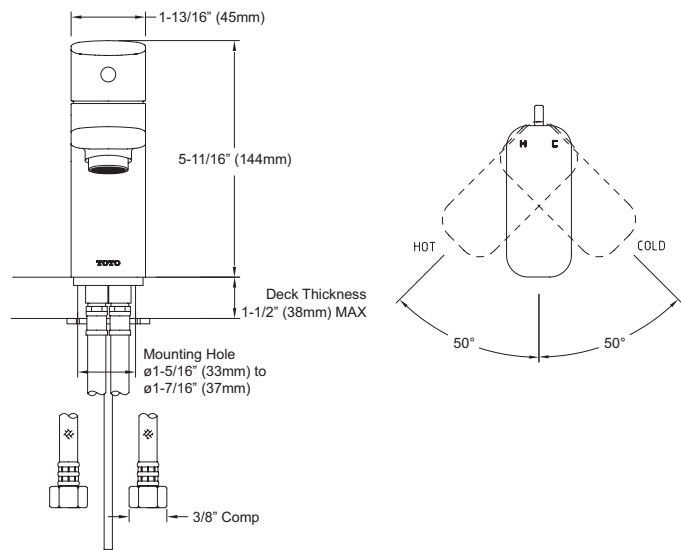
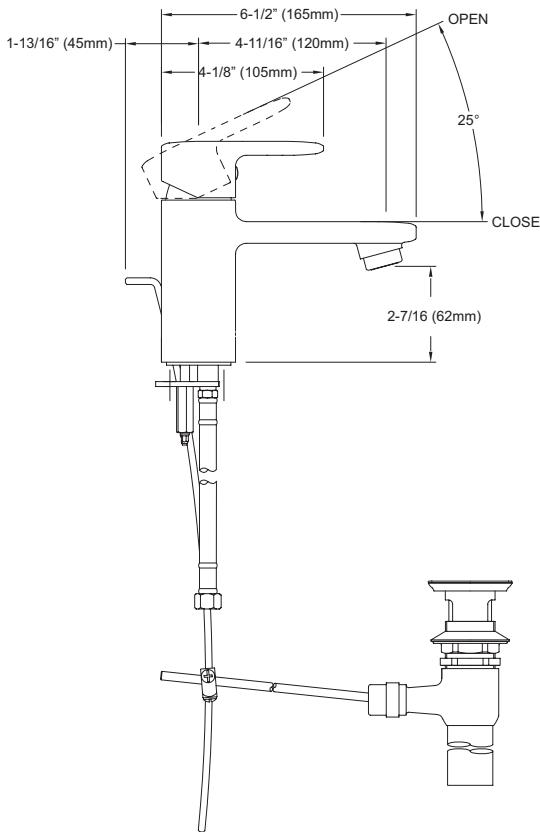
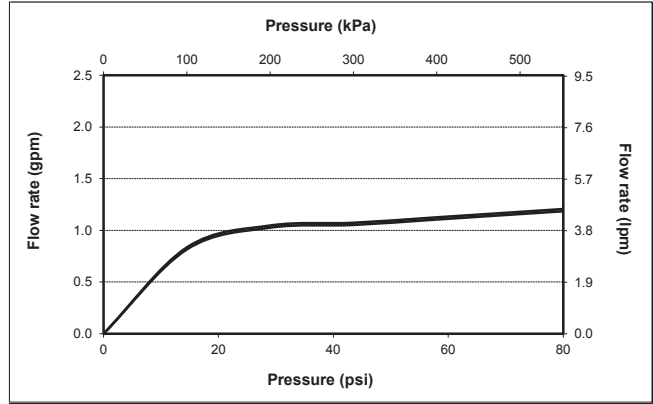
The single-handle lavatory faucet shall have a maximum flow rate of 1.2 gpm (4.5 lpm). Product shall have a lever handle. Product shall have a solid brass construction. Product shall have a ceramic disk mixing cartridge. Product shall include metal pop-up drain assembly. Product shall be TOTO Model TL630SD12#_____.

TL630SD12

Upton® Single-Handle Lavatory Faucet

SPECIFICATIONS

- Warranty** Lifetime Limited Warranty (Residential Use)
One Year (Commercial Use)
- Material** Brass
- Maximum Flow Rate** 1.2 gpm (4.5 lpm)
- Shipping Weight** 7.3 lbs.
- Shipping Dimensions** 21" L x 10" W x 3-1/2" H



These dimensions and specifications are subject to change without notice