

Soirée® Single-handle Lavatory High-Efficiency Faucet, 1.2 gpm

FEATURES

- WaterSense certified low-flow 1.2 gpm (4.5 lpm) faucet
- Lever handle
- Solid brass construction
- Ceramic disk mixing cartridge
- Metal pop-up waste assembly

COLORS/FINISHES

- #CP Polished Chrome
- #BN Brushed Nickel

OPTIONAL ACCESSORIES

- THP3158#CP - 4" Cover Plate
- 71244T8CC - 8" Cover Plate

CODES/STANDARDS

- Complies with federal and state lead-free legislation
- Meets or exceeds ASME A112.18.1/CSA B125.1, NSF 61-9, NSF 372
- Certifications: IAPMO(cUPC), EPA WaterSense, California Energy Commission (CEC), State of Massachusetts and others
- Code Compliance: UPC, IPC, NSPC, NPC Canada, California Green Building Code, City of Los Angeles Water Efficiency Ordinance, City of New York and others
- ADA compliant



PRODUCT SPECIFICATION

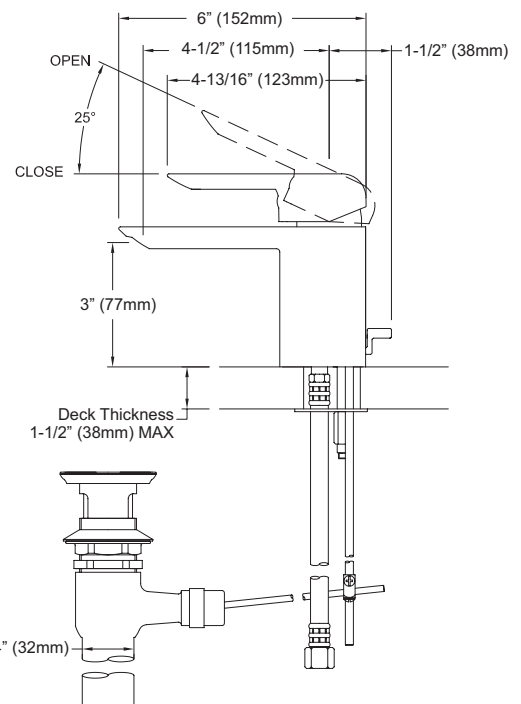
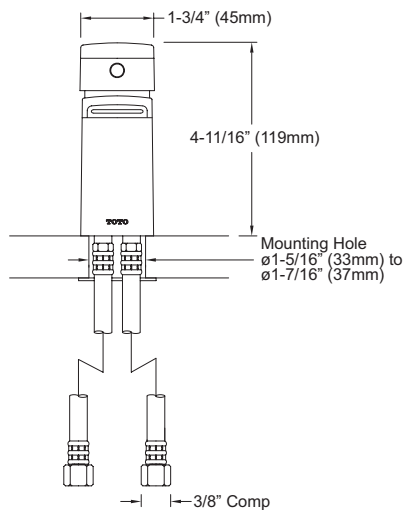
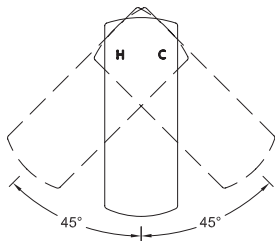
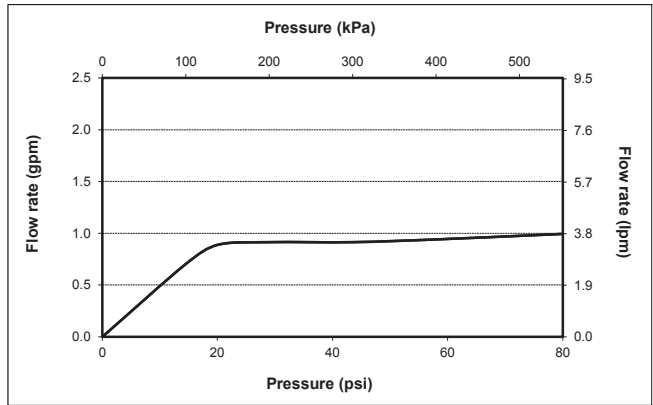
The single-handle lavatory faucet shall have a maximum flow rate of 1.2 gpm (4.5 lpm). Product shall have lever handle. Product shall have a low-lead brass construction. Product shall have a ceramic disk mixing cartridge. Product shall include metal pop-up drain assembly. Product shall be TOTO Model TL960SD12#_____.

TL960SD12

Soirée® Single-handle Lavatory High-Efficiency Faucet, 1.2 gpm

SPECIFICATIONS

Warranty	Lifetime Limited Warranty (Residential Use) One Year (Commercial Use)
Material	Brass
Maximum Flow Rate	1.2 GPM (4.5 LPM)
Shipping Weight	6.0 lbs.
Shipping Dimensions	20-1/2" L x 9-3/4" W x 3-1/2" H



TOTO®

These dimensions and specifications are subject to change without notice