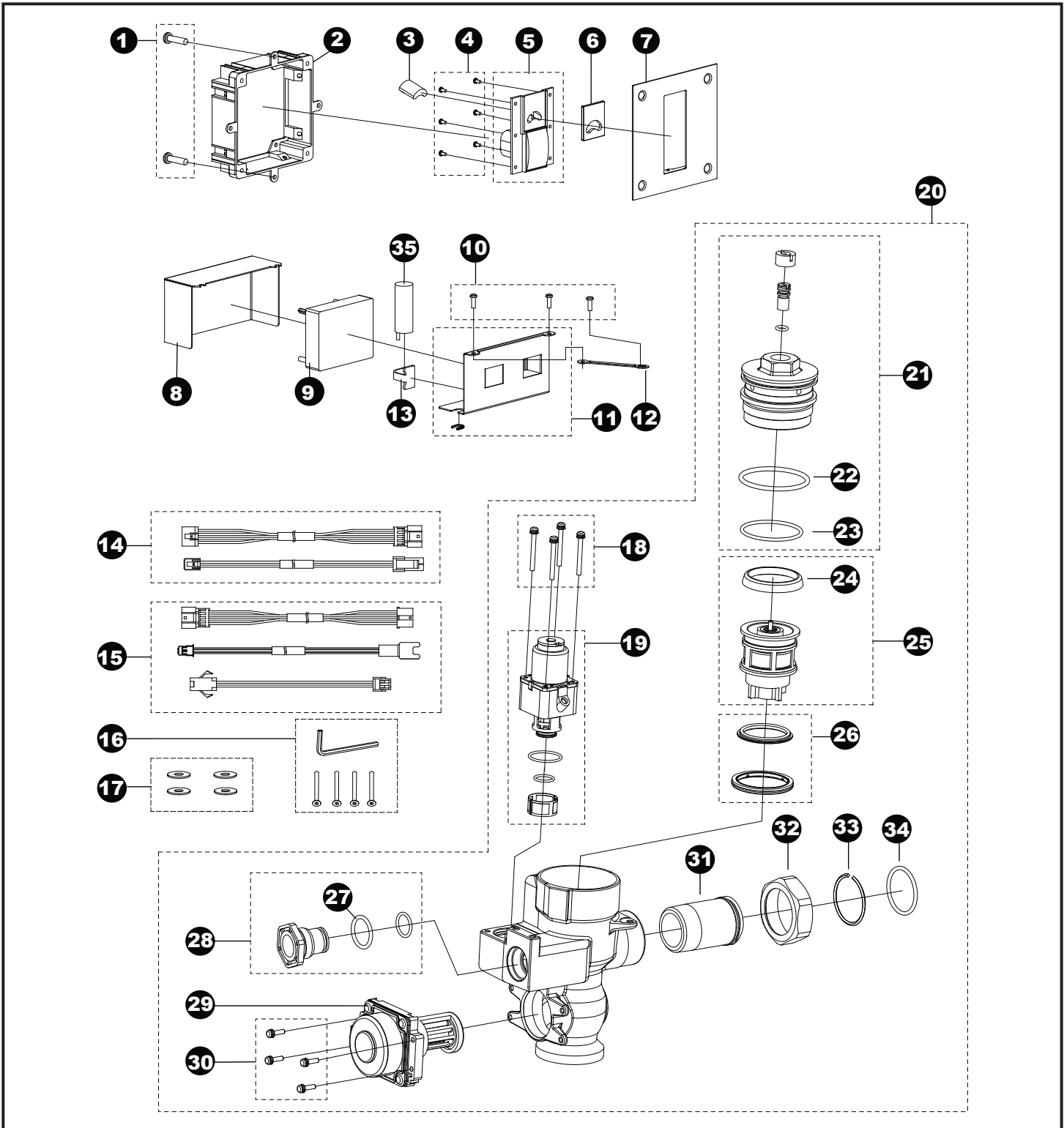


TET3LA#SS
 TET3LA31#SS
 TET3LA32#SS
 TET3LA33#SS

**EcoPower® Flush Valve,
 Toilet, Concealed Small, 1.28 Gpf**



**EcoPower® Flush Valve,
Toilet, Concealed Small, 1.28 Gpf**

TET3LA#SS
 TET3LA31#SS
 TET3LA32#SS
 TET3LA33#SS

| Item | Part | Description |
|-------------|---------------|--------------------------------------|
| 1 | THP3222 | Screw, wooden screw (10/bag) |
| 2 | THP3210 | Wall frame assy, small cover |
| 3 | THP3187 | Sensor unit |
| 4 | THP3215 | Screw, touch button (6/bag) |
| 5 | THP3214 | Touch button assy, concealed |
| 6 | THP3213 | Glass, sensor window, concealed |
| 7 | THP3212 | Cover plate, small |
| 8 | THP3216 | Cover, controller box, concealed |
| 9 | THP3196 | Controller unit, C |
| 10 | THP3204 | Screw, cover, valve (5/bag) |
| 11 | THP3217 | Housing, controller, concealed |
| 12 | THP3218 | Mount stay, controller box |
| 13 | TH559EDV517 | Clamp set (10/bag) |
| 14 | THP3221 | Wire harness, controller (2/bag) |
| 15 | THP3209 | Extension harness (3 type/bag) |
| 16 | THP3233 | Screw w/wrench set |
| 17 | THP3219 | Washer, plastic (4/bag) |
| 18 | THP3192 | Screw (4/bag) |
| 19 | THP3190 | Solenoid unit & diaphragm assy |
| 20 | THP3226 | Valve assy, concealed, toilet |
| 21 | THP3188 | Valve cap assembly |
| 22 | THP3189 | O-ring, valve cap top (10/bag) |
| 23 | TH305SV112 | O-ring, valve cap botm (10/bag) |
| 24 | TH305SV103 | U-packing, piston (10/bag) |
| 25 | TH323V104R | Piston assembly |
| 26 | TH321 | Seat packing set |
| 27 | THP3013 | O-ring, cap (10/bag) |
| 28 | THP3220 | Plug |
| 29 | TH559EDV503 | EcoPower generator, toilet |
| 30 | TH559EDV505 | Screw, EcoPower generator |
| 31 | TH305SV114#CP | Tailpiece |
| 32 | TH305SV113#CP | Nut, tailpiece/angle stop |
| 33 | TH305SV105 | Locking ring set, tailpiece (10/bag) |
| 34 | TH305SV106 | O-ring, tailpiece/angle stop |
| 35 | THP3053 | Back-up battery |

Vacuum Breaker Sets

VB13RB-31 Back Spud, 1-1/2" Outlet, Concealed
 VB9RB-32 Top Spud, 1-1/2" Outlet, Concealed
 VB13RB-33 Back Spud, 1-1/2" Outlet, Floor Mount

Note: for additional information, refer to the individual vacuum breaker parts sheets.