

FEATURES

- Maximum flow rate of 2.5 gpm (9.5 lpm)
- 9" x 9" spray face
- Single spray showerhead
- Rubber nozzles to prevent limescale build up
- Includes shower arm and escutcheon



COLORS/FINISHES

- #CP Polished Chrome
- #BN Brushed Nickel
- #PN Polished Nickel

CODES/STANDARDS

- Meets or exceeds ASME A112.18.1/CSA B125.1
- Certifications: IAPMO(cUPC), State of Massachusetts and others
- Code Compliance: UPC, IPC, NSPC, NPC Canada, and others



PRODUCT SPECIFICATION

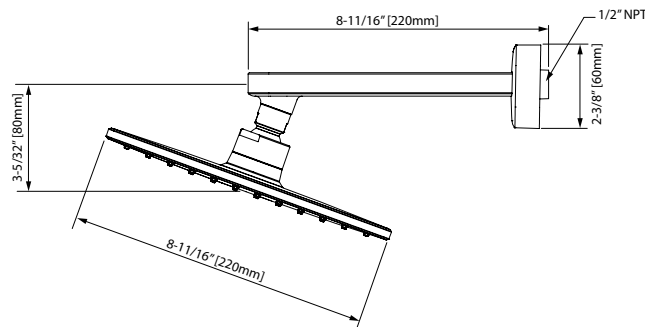
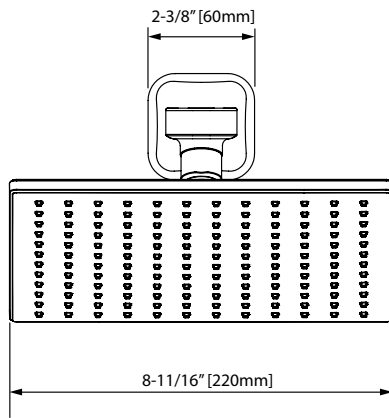
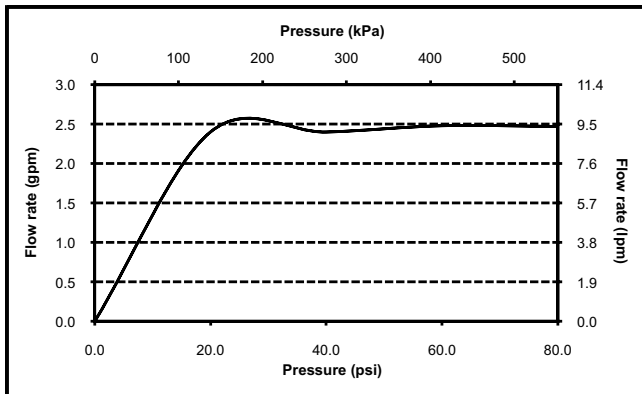
The showerhead shall have the maximum flow rate of 2.5gpm (9.5lpm). Product shall have 9" x 9" spray face. Product shall be single spray shower. Product shall have rubber nozzles to prevent limescale build up. Product shall include shower arm and escutcheon.

TS630AR

Upton™ Showerhead

SPECIFICATIONS

- **Warranty** Lifetime Limited Warranty (Residential Use)
One Year (Commercial Use)
- **Shipping Weight** 3.3 lbs.
- **Shipping Dimensions** 11" L x 12-3/8" W x 3-5/8" H
- **Maximum Flow Rate** 2.5 gpm (9.5 lpm)



TOTO®

These dimensions and specifications are subject to change without notice