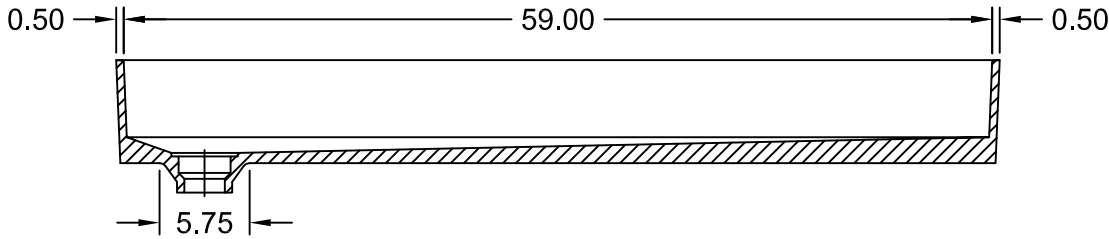
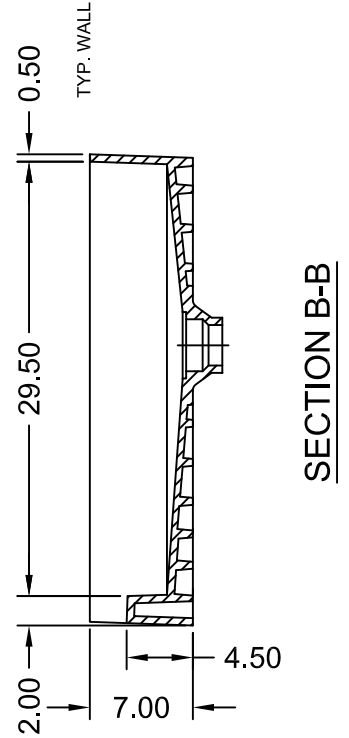
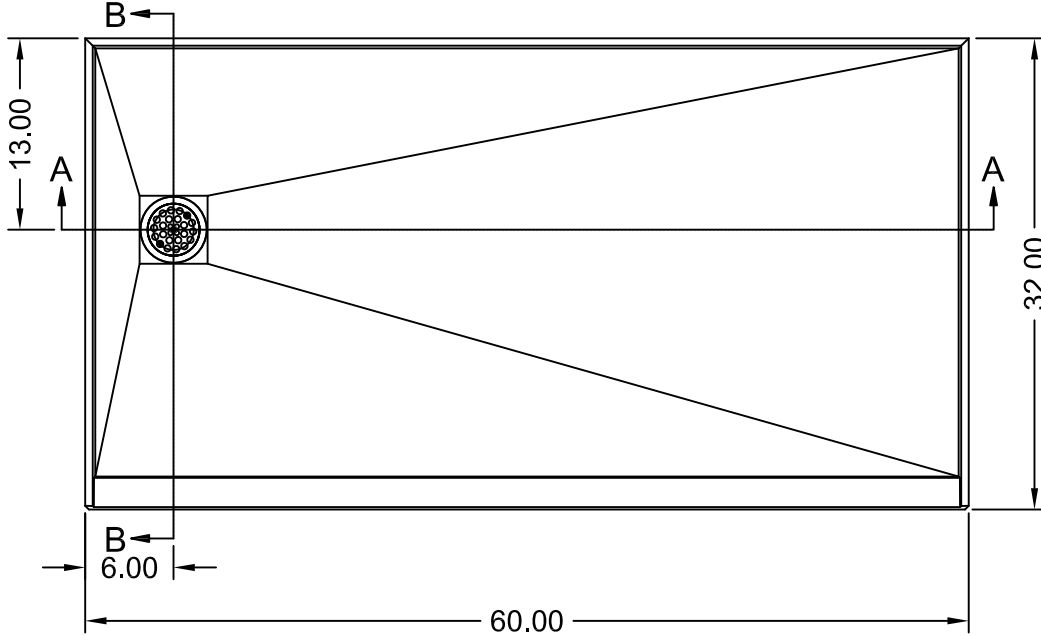


(Not to scale)



SECTION A-A

|  |                           |              |  |
|--|---------------------------|--------------|--|
|  | ANSI Z124.1-95            | ASTM F462-79 | Toll Free 800.232.6156 techsupport@tileredi.com<br>Tel: 954.323.0125<br>Fax: 954.344.8064 www.tileredi.com |
|  | ANSI Z124.2-95            | B45.0-02     |  |
|  | ICC/ANSI A117.1.98        | B45.5-02     |  |
|  | © 2012 TILE REDI USA, LLC |              |  |