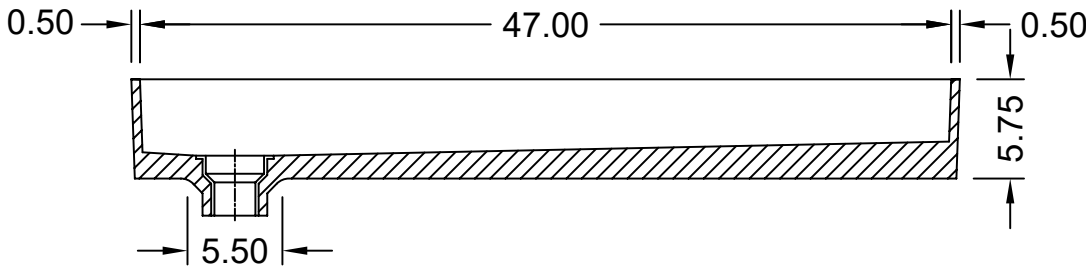
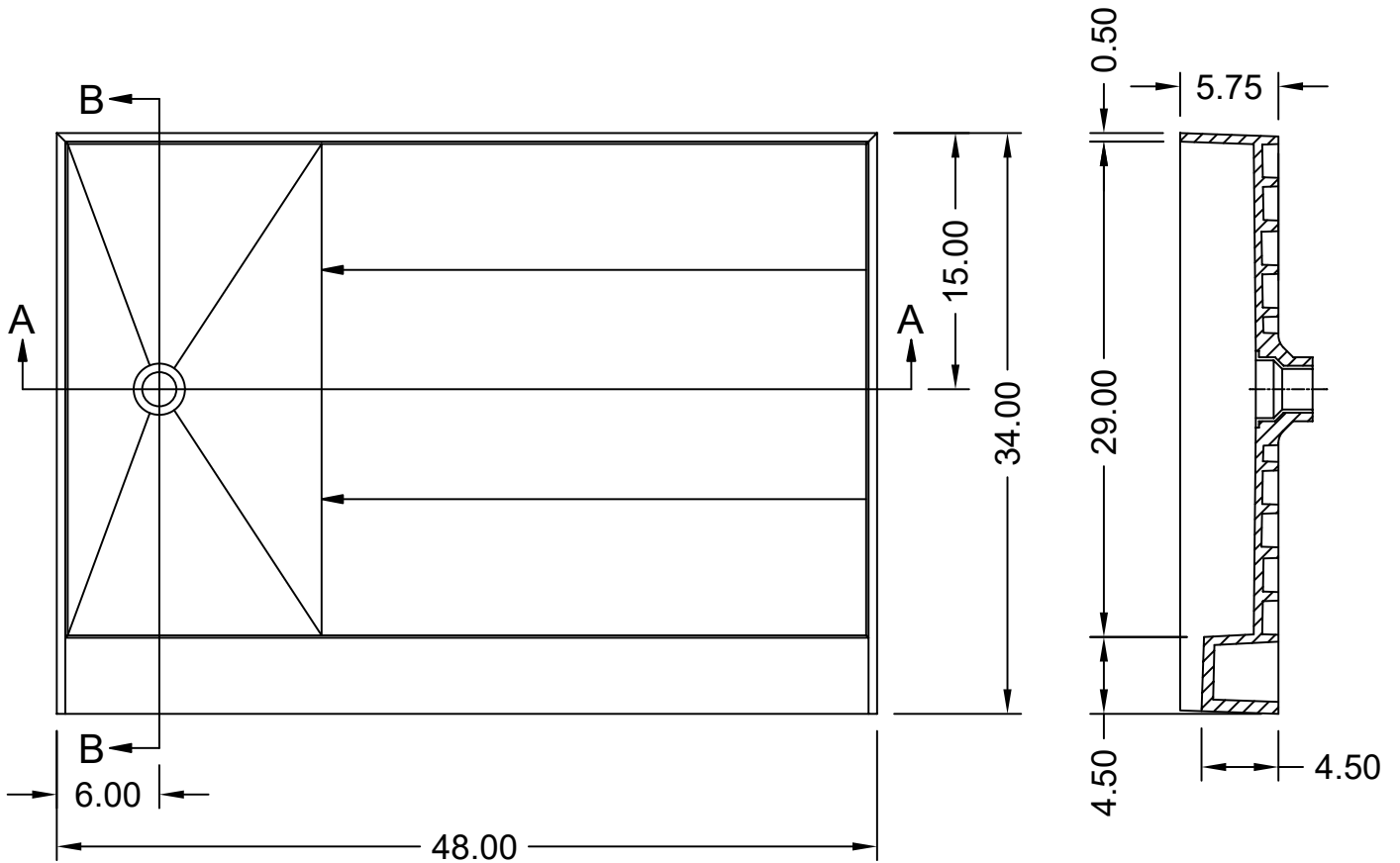



(Not to scale)



SECTION A-A

All dimensions are within
tolerances of +/- 1/4"
unless otherwise noted.


 ANSI Z124.1-95 ASTM F462-79
 ANSI Z124.2-95 B45.0-02
 ICC/ANSI A117.1-98 B45.5-02

Toll Free 800.232.6156 techsupport@tileredi.com
 Tel: 954.323.0125
 Fax: 954.344.8064 www.tileredi.com

tileredi[®]
 Perfection through Innovation

INV
 2023.04.21