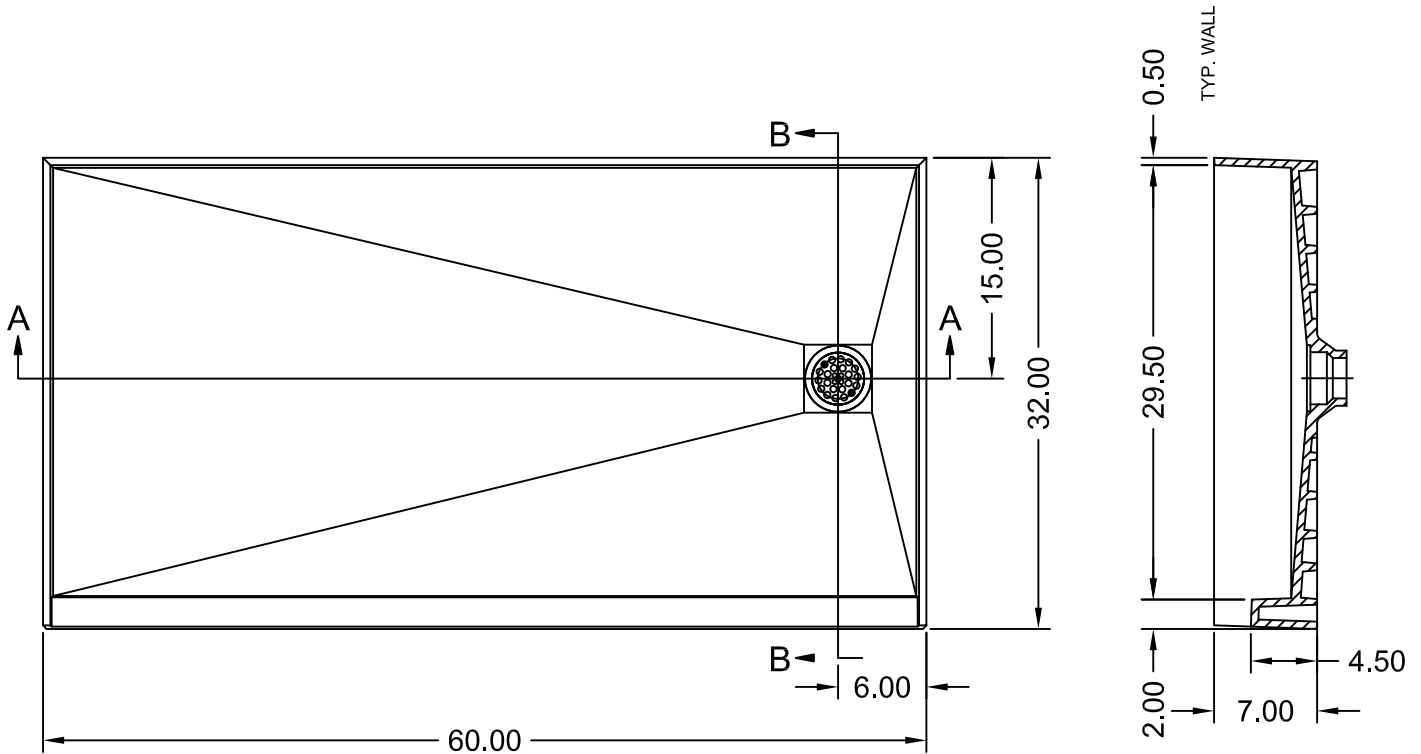
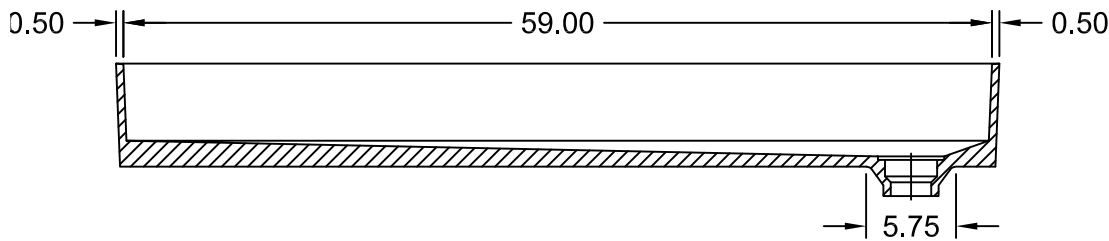


(Not to scale)



SECTION B-B



SECTION A-A