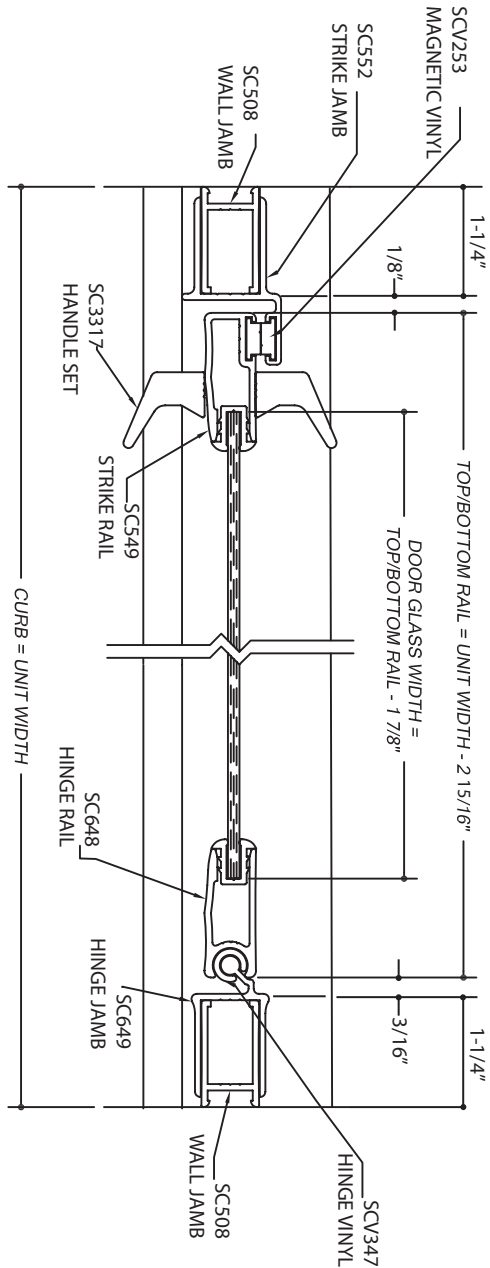
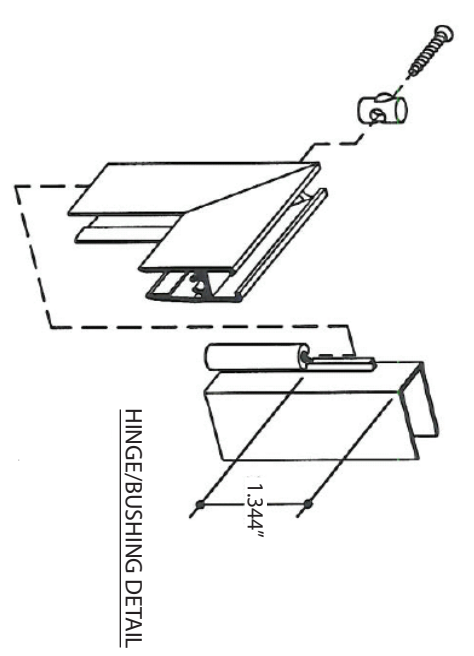
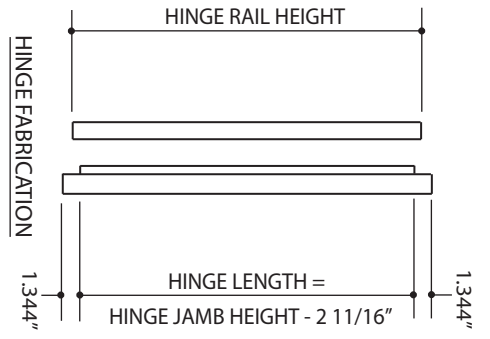


VERTICAL CROSS SECTION



HORIZONTAL CROSS SECTION

REV #1
DATE: 5/1/07
NOTE: GLAZING MATERIAL FOR ALL KD UNITS AND GLAZED UNITS MUST CONFORM TO ANSI Z97.1 AND CPSC STANDARD 16 CFC 1201 CATEGORY I AND II.

NOTE
USE SCV52 GLAZING VINYL FOR 3/16\"/>

SERIES

WIDTH & HEIGHT

DOOR GLASS

1100

36 X 62-7/8
36 X 66-3/8
36 X 69-7/8

HEIGHT = 60"
HEIGHT = 63-1/2"
HEIGHT = 67"

CONT. HINGE

Toll Free: 800.232.6156
Tel: 954.323.0125
Fax: 954.344.8064
techsupport@tilleredi.com
www.tilleredi.com

