

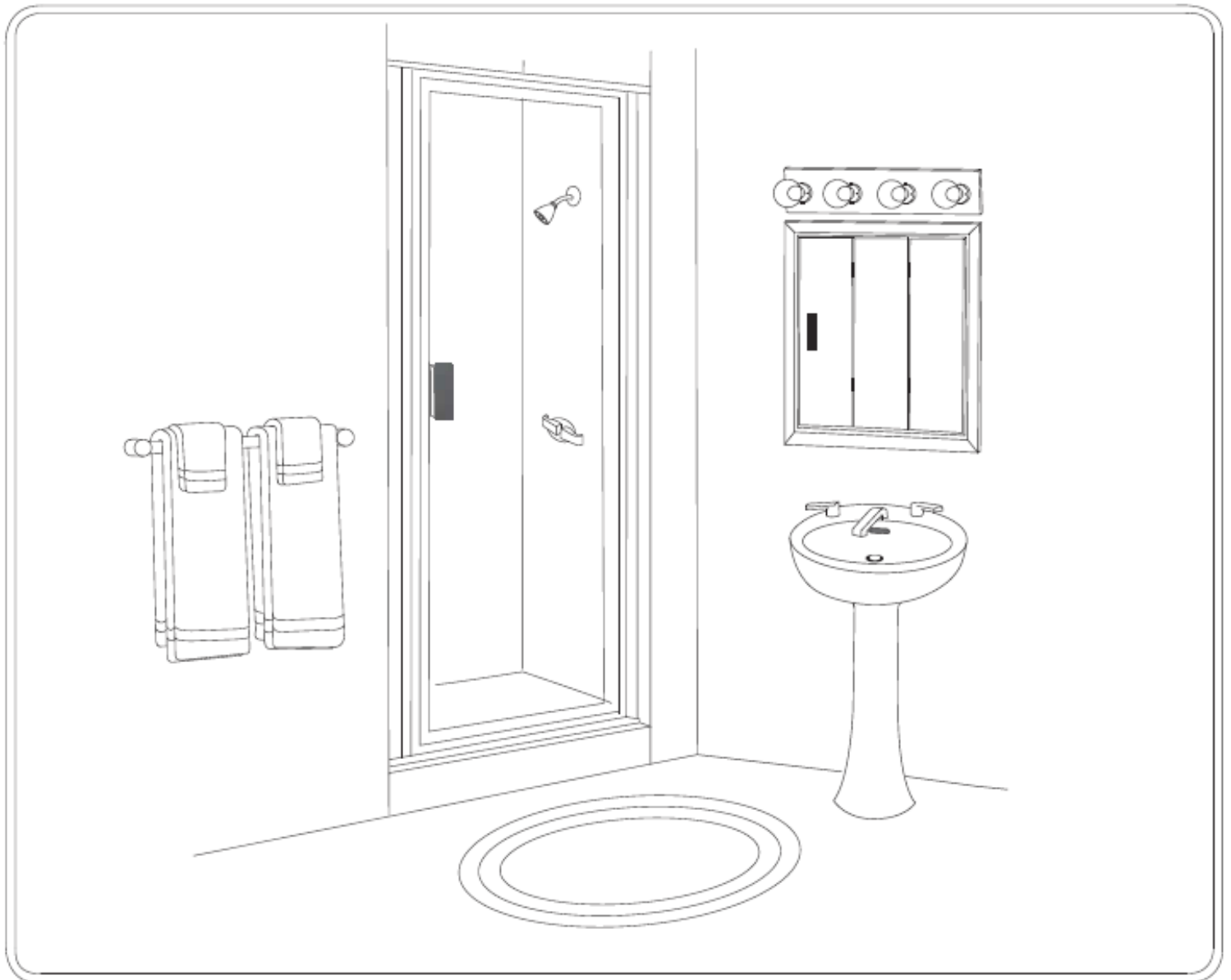
Redi Swing™...Opening Doors to Stunning Showers!™

SERIES: 1100

CONFIGURATION: Door

MOUNTING PACKAGE: Framed, continuous hinge

FRAMED SHOWER ENCLOSURE CONTINUOUS HINGE



## Tools:

To install your New Shower Enclosure, you may need the following:

- Pencil
- Low Tack Tape
- Tape Measure
- 4' & 6' Levels
- #2 Phillips Screwdriver
- Drill
- 1/8" & 3/16" Drill Bit
- Center Punch
- Files
- Hack Saw
- Caulk Gun
- Clear Silicone Caulk
- Suction Cups

## Safety Notes:

- This unit is best installed by two people.
- Handle the glass panels carefully and protect the edges. Safety tempered glass is very resistant to breakage, but the sharp corners of the panels can damage tile and flooring surfaces.
- The glass can break if unequal pressure is applied during installation.
- Please wear safety glasses whenever drilling or cutting. When drilling holes in ceramic tile or marble, use a center punch and hammer to carefully break the glazed surface to prevent skidding when drilling.

**NOTE:** Tempered glass cannot be cut.

## Installation Notes:

- Proper blocking is required for every Heavy Glass unit prior to installation. At minimum 2x4 blocking is required at the location of any structural member of the unit including, but not limited to: hinges, clamps, and header brackets. All fasteners at these locations are required to be installed into the blocking.
- A minimum of 1 1/4" thread engagement is required of all fasteners into the blocking at these locations. Depending on the application the customer maybe required to supply the proper fasteners to ensure adequate engagement.
- U-Channel maybe installed using wall plugs where no backing is found.
- Use caution to not pierce plumbing or electric lines while installing door hardware.
- Cover the drain with tape prior to installation to prevent loss of small parts.
- Unpack your unit carefully and inspect for freight damage. Lay out and identify all parts using the instruction sheet as a reference. Before discarding the carton, check to see that no small hardware parts have fallen to the bottom of the box. If any parts are damaged or missing, refer to the description noted in the instructions when contacting your dealer for replacements.

## Maintenance:

### Caring for Redi Clear™ Treated Glass

In order to maintain your ten year warranty, please follow these care instructions:

Once or twice a week, wipe down your shower door to remove body oils, soaps and shampoos from the surfaces. The glass should be cleaned every few weeks using a damp microfiber cloth and a mild detergent or soap to remove any soap scum and grime from the glass. Do not use paper towels or any abrasive tool to clean the surface. The sealed surface is warranted with regular maintenance and without the use of any harsh chemicals or detergents.

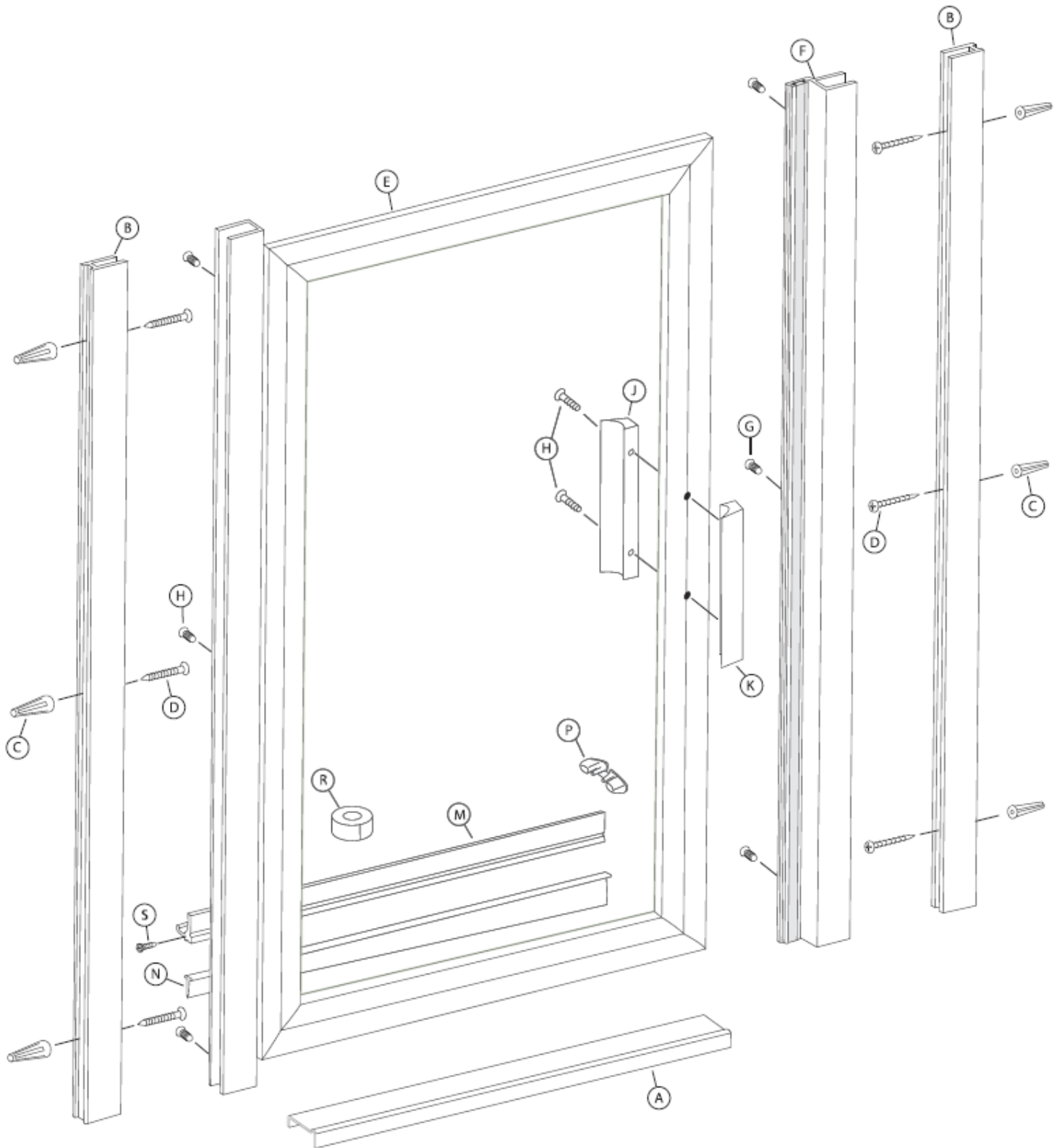
### Caring for Non-Treated Glass

After each use, rinse with water and wipe down your enclosure with a soft cloth/towel or squeegee to maintain that like-new look. The glass should be regularly cleaned using a damp microfiber cloth and a mild detergent or cleaner to remove any soap scum and grime from the glass. We recommend Lysol Bathroom Cleaner as safe for shower doors, but please test any commercial cleaning solutions on an inconspicuous area before applying to the entire enclosure. Be sure to rinse all surfaces completely and wipe dry. Never use any abrasive material or harsh chemicals to clean surfaces and do not allow cleaners to soak on surfaces.

## PARTS LIST

ITEM	DESCRIPTION	QTY.
A	CURB	1
B	WALL JAMBS	2
C	PLASTIC WALL ANCHORS	6
D	#8 X 1 1/2" TRUSS HEAD SCREWS	6
E	GLAZED DOOR PANEL	1
F	STRIKE JAMB WITH MAGNET	1
G	#8 X 1/4" TRUSS HEAD SCREWS	6
H	#6 X 1 1/4" FLAT HEAD SCREWS	2
J	INTERIOR HANDLE	1
K	EXTERIOR HANDLE	1
M	DRIP RAIL	1
N	TAPERED DRIP VINYL	1
P	DRIP PLUGS	2
R	ROLL DOUBLE-STICK TAPE	1
S	#6 X 3/8" TRUSS HEAD SCREW	1

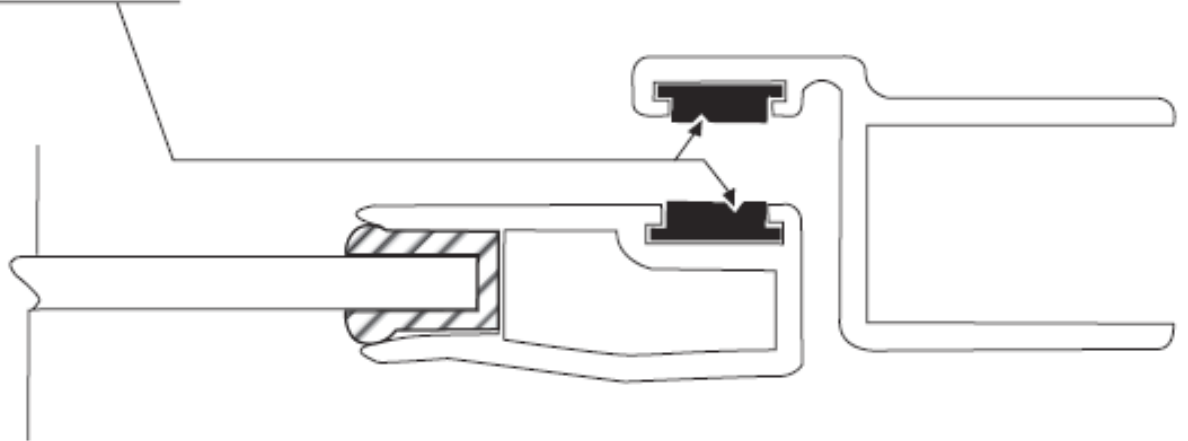
# EXPLODED VIEW



## IDENTIFICATION GROOVE

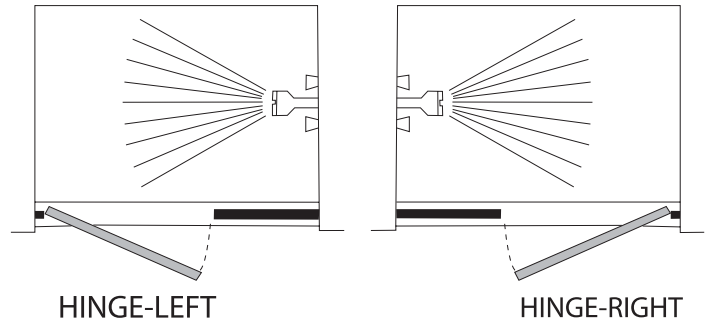
**NOTE :** Each magnetic strip has an identification groove on the exposed surface. For proper alignment, the grooves should be opposite each other (see detail).

Identification Groove



**1** The Continuous-Hinge Door is completely reversible and may be installed hinge-left or hinge-right. Refer to the illustration to determine the correct position for your installation. For maximum waterproofing, the hinge jamb should always be opposite the shower head. These instructions depict a hinge-left installation.

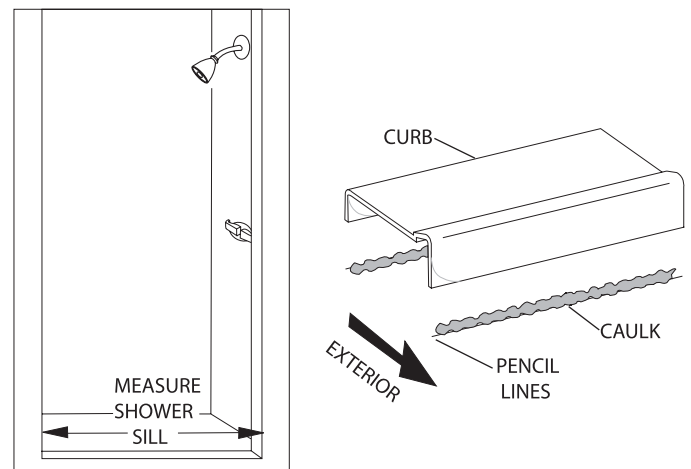
**CAUTION:** For safety, the door must *always* open outward.



**2** The Continuous-Hinge Units units may be installed without using the sloped curb [A] provided. Its use is definitely recommended for positive water control on shower sills with little or no slope.

Measure the wall to wall opening at the shower sill and cut the curb to the exact length. File the ends of curb as necessary to fit the corner contours of the enclosure. Place the curb on the shower sill with the **RAISED** portion to the exterior of the enclosure. Make sure the curb is centered on the sill and lightly mark its position on the sill with a pencil.

Remove the curb from the sill and run two beads of caulk inside the penciled marks on the shower sill. Place the curb in the exact position marked and seat it firmly in the caulking to hold curb in place while installing the rest of the unit. Use masking tape to hold curb down on the threshold.

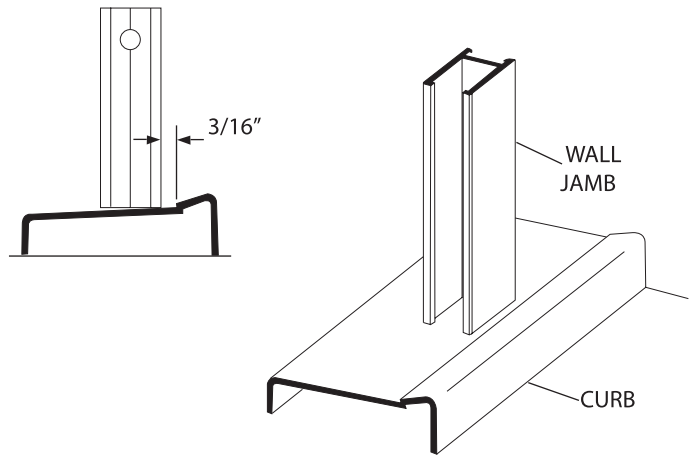


### 3

Place one of the wall jamps [B] against the wall with the bottom end 3/16" from the raised side of the curb [A]. Plumb the jamb and mark the hole locations on the wall. Repeat for the other wall jamb. Remove all parts and drill the walls for mounting hardware.

For tile or marble walls, drill six 3/16" diameter holes and insert the plastic wall anchors [C]. A center punch helps locate the hole accurately.

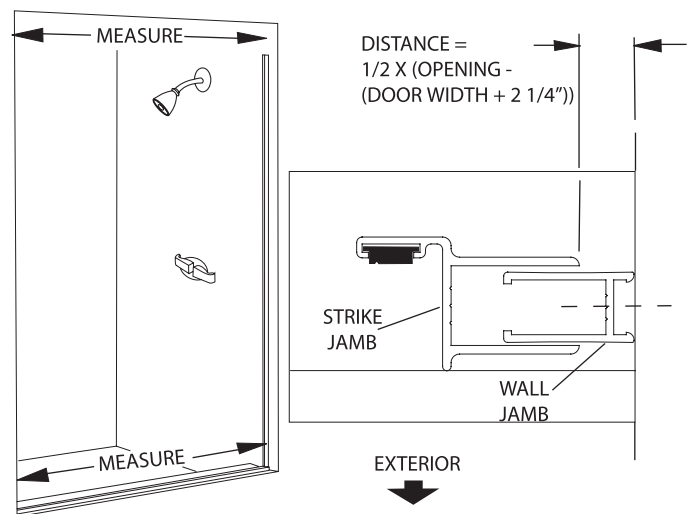
Attachments to fiberglass or acrylic units can be made in two ways. If a reinforcement is built into the wall of the unit, drill six 1/8" holes to install mounting screws directly into the reinforcement. If the walls are not reinforced, drill 3/16" holes and install plastic wall anchors or molly bolts.



### 4

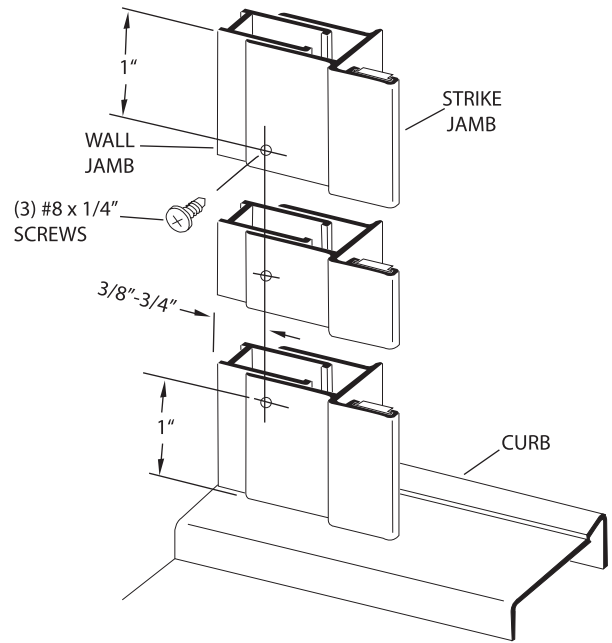
Slide the strike jamb [F] over one of the mounted wall jamps [B] with the magnet facing outward.

Measure the wall-to-wall at the top and at the bottom of the wall jamps and note the smaller dimension. Measure the width of the door panel [E] at the bottom rail. Add 2 1/4" to the door width, subtract the total from the minimum wall-to-wall opening and divide the result by two. This should be the distance from the wall to the strike jamb at the closest point. Plumb strike jamb vertically and mark its location on the wall jamb with a pencil.



# 5

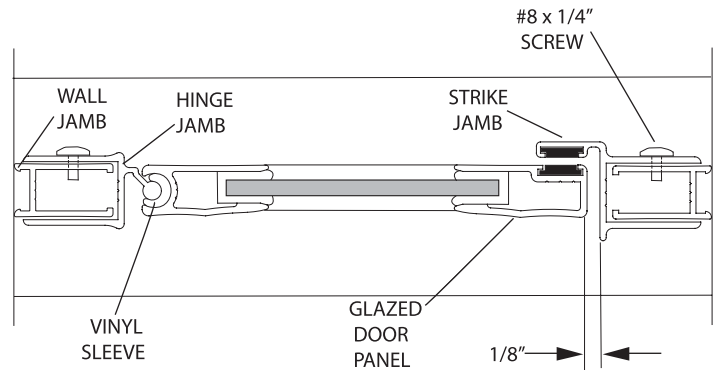
Inside the shower enclosure, drill two 1/8" holes through the strike jamb [F] and into the wall jamb [B] 3/8" to 3/4" from the wall and approximately 1" vertically from each end of the strike jamb. Drill a third hole centered between the first two, then enlarge the three outer holes with a 3/16" drill for clearance on the self-tapping screws. Attach the strike jamb permanently with three #8 x 1/4" truss head screws [G].



# 6

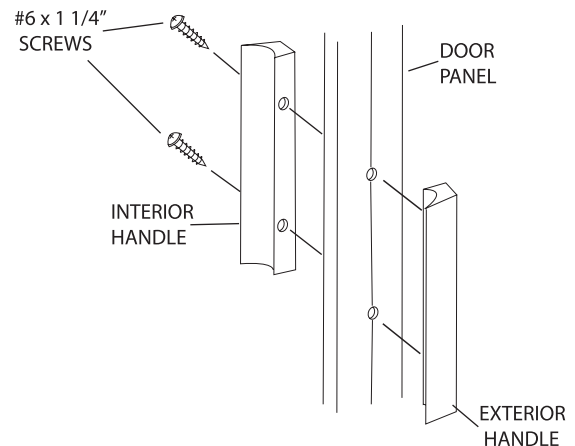
Slide the door panel [E] over the other wall jamb [B] until the door panel and the strike jamb [F] can meet. With the door closed and the latch magnets engaged, the proper door panel to strike jamb clearance is 1/8" (see illustration). Mark the hinge jamb's location on the wall jamb with a pencil.

Attach the hinge jamb and door panel permanently per the instruction in Step #5.



# 7

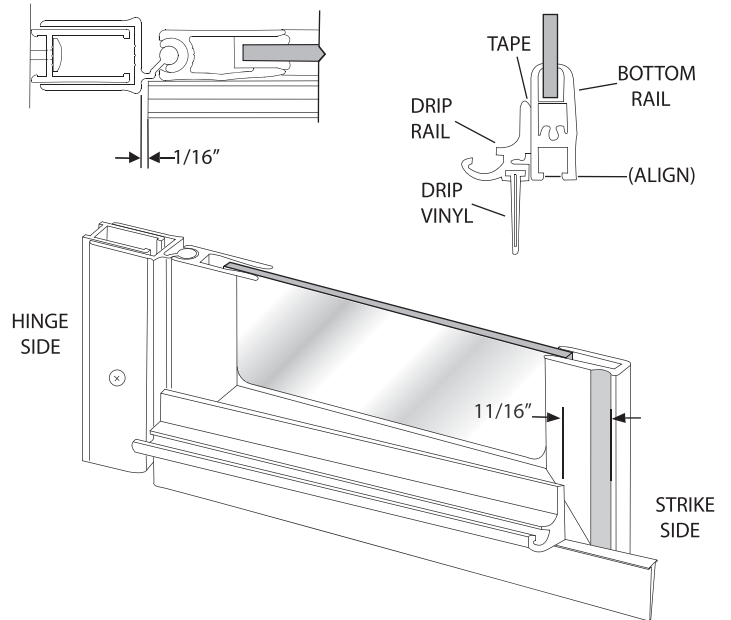
Attach the interior door handle [J] and the exterior door handle [K] to the door panel [E] with two #6 -32 x 1 1/4" round head screws [H].



**8** Clean the bottom door rail and the drip rail thoroughly with rubbing alcohol to ensure proper adhesion. Unroll the double stick tape [R] and carefully apply it to the back of the drip rail (**do not peel the tape backing yet**).

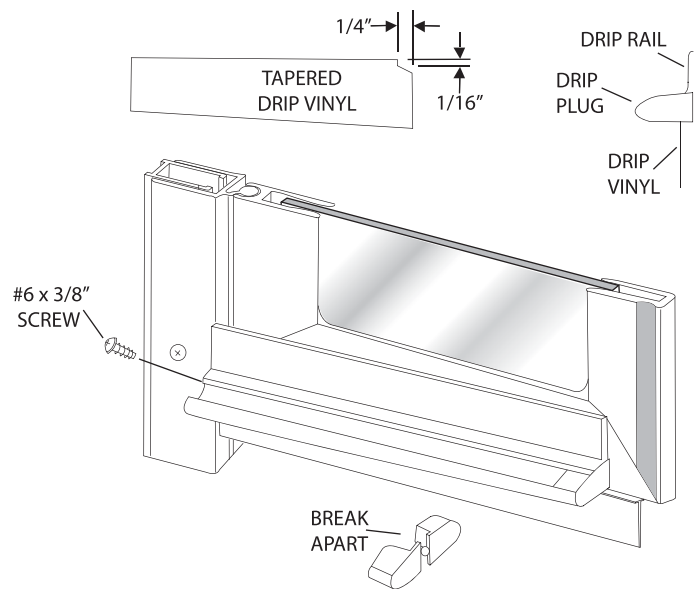
Insert the tapered drip vinyl [N] into the drip rail. Position the drip rail flush with the bottom and hinge side of the door panel [E], then raise the strike side until the bottom edge of the drip vinyl is parallel to the curb [A]. Mark the location of each end of the drip rail.

**NOTE: Cleaners with alcohol content can dissolve the adhesive that attaches the drip rail. To prevent this possibility, place a small bead of clear sealant at the top of the drip rail where it is attached to the bottom rail.**



**9** Adjust the drip vinyl [N] by sliding it left or right until it just touches the curb. Trim the vinyl (flush with the hinge end and notch 1/4" longer than the drip rail as shown on the strike end). Secure it with one #6 x 3/8" truss head screw [S] in the hinge end of the drip rail.

The drip plug [P] is supplied with a left and right hand plug together. Break the right and left drip plugs apart and insert the appropriate plug into the high (strike) side of the drip rail. Discard the unused drip plug. Peel off the tape backing and carefully press the drip rail [M] to the door in the marked position.



**10** Neatly caulk the inside perimeter of the shower curb and the hinge and strike jambs.

**NOTE:** Improper caulking will result in leaks.

**NOTE:** The caulking should be allowed to cure for 24 hours before using your new shower enclosure.

