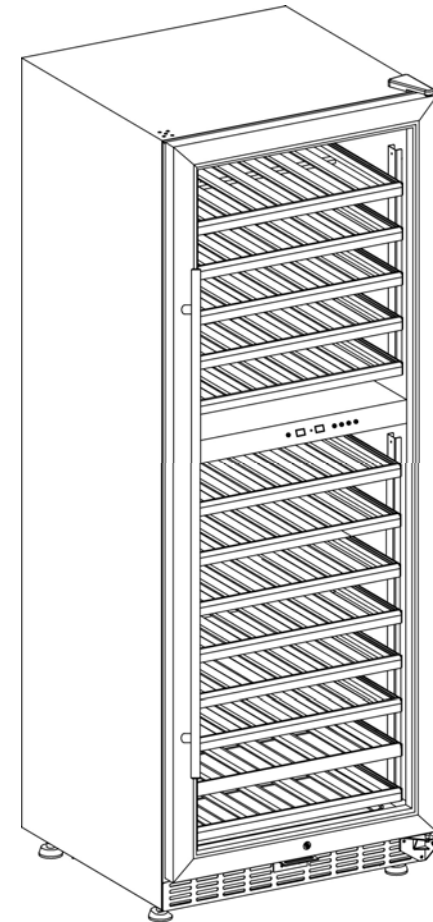


INSTRUCTION MANUAL

FOR WINE COOLER



MODEL: HWC2408U

Dear Users :

Thanks for choosing our wine coolers. You will enjoy our kind, prompt and considerate service after you buy our products. This manual would apply to various models of our wine coolers. The model you choose may have a little difference from the description in this manual, but please don't worry about, it will still useful for you. In order to make it easy for your using, please read this manual carefully and do as the manual guidance. You will be satisfied with it. In addition, we sincerely hope that you will enjoy using our wine coolers.

installation, installation not in accordance with electrical, or use of consumables or cleaning products not approved by Thor Group.

6. Service to repair or replace consumable parts. Consumable parts are not included in the warranty coverage.

7. The removal and reinstallation of your wine cooler if it is installed in an inaccessible location or is not installed in accordance with published installation instructions.

8. This warranty is void if the factory applied serial number has been altered or removed from your wine cooler.

9. Repairs to parts or systems resulting from unauthorized modifications made to the appliance.

10. Expenses for travel and transportation for product service if your wine cooler is located in a remote area where service by an authorized Thor Group servicer is not available.

The warranty applies to appliances purchased and used for personal, family or household purposes only. It does not cover appliances used for commercial applications.

Should the appliance be sold by the original purchaser during the warranty period, warranty shall extend to the new owner until the expiration date of the original purchaser warranty period.

Warranty and Product Registration

Thor Group is not responsible for incidental or consequential damages. Under no circumstances will Thor Kitchen's liability exceed the cost that you paid for the product. Some states do not allow the exclusion or limitation of incidental or consequential damages, so the above limitations or exclusion may not apply to you.

This warranty gives you specific legal rights, and you may also have other rights that vary from state to state. Whenever you call our customer service at 877-288-8099 (THORKITCHEN WINE COOLER) for technical information and parts sales in the United States or to request service for your appliance, please have your complete model number and serial number ready. The model and serial number can be found on the product data plate. Please enter the information requested in the spaces provided.

Model No. _____ **Serial No.** _____

Date of Purchase _____ **Purchaser** _____

Dealer _____ **Suburb** _____

Town _____ **Country** _____

Note: You must provide proof of purchase and installation date for in-warranty service.

Catalogue

Notes -----	4
Structure of Wine Coolers-----	6
Installation -----	7
Operation Instruction -----	8
Care and Maintenance -----	13
Troubleshooting -----	14
Technical Parameters -----	16

1. Important Safety Notes:

⚡Warnings⚡	To reduce the risk of fire, electrical shock, or injury when using your appliance, follow these basic precautions:
<ul style="list-style-type: none"> ● Read all instructions before using the Wine cooler. ● Do keep the children away from the wine cooler. Never allow children to operate, play with, or crawl inside the appliance. ● Never clean appliance parts with flammable fluids. The fumes can create a fire hazard or explosion. ● While wine cooler stops working, please call our after-sell service department or other related technicians to check and repair. Never do it by yourself in case of accident. ● Once the power cord is damaged, find a professional technician or electrician to change a new one. Never do it by yourself or continue to use so as to avoid danger. ● Do make sure that the plug is pulled while cleaning, moving or repairing. ● Keep ventilation openings, in the appliance enclosure clear of obstruction. ● Do not use mechanical devices or other means to accelerate the defrosting process, other than those recommended by the manufacturer. ● Do not damage the refrigerant circuit. ● Do not use electrical appliances inside the food storage compartments of the appliance, unless they are of the type recommended by the manufacturer. <p style="text-align: center;">-Save these instructions-</p>	

⚡Notes⚡

- In order to avoid damage of door seal, please make sure the door totally opened while pulling out the movable shelves.
- Place the cooler closed to power socket.
- Once the cooler is stored with wines, please do not move it again.
- Make sure the cooler placed in proper place in order to avoid that the compressor in the

Warranty

This product has been manufactured by Thor Group, 13831 Oaks Ave, Chino, California 91710.

Thor Group disclaims all express warranties except for the following:

This warranty applies to products purchased and located in the United States. Products purchased or located outside this area are excluded.

The warranty does not apply to damage resulting from abuse, accident, natural disaster, loss of electrical power to the product for any reason, alteration, outdoor use, improper installation, and improper operation, repair or service of the product by anyone other than an authorized Thor Group, service agency or representative.

Warranties and Duration

Full warranty for Parts and Labor: first year parts and labor, second year only parts.

Implied warranties terminate upon expiration of the limited warranty. Some states do not allow limitations on how long implied warranty lasts, so the above limitation may not apply to your implied warranty.

Thor Group will pay for:

All repair labor and cost of replacement parts found to be defective due to material and workmanship. Service must be provided by a Thor Group Authorized Service Agency during normal working hours. For a Service Agency nearest you, please call 877-288-8099.

Thor Group will not pay for:

This limited warranty does not cover:

1. Service to instruct you on how to use your wine cooler to correct house wiring, replace or repair house fuses, service to correct the installation of your wine cooler.
2. Repairs when your wine cooler is used for other than normal, single-family household use or when it is used in a manner that is contrary to published user or operator instructions and/or installation instructions.
3. Cosmetic damage, including chips, dents, scratches or other damage to the finish of your wine cooler, unless such damage results from defects in materials or workmanship and is reported to Thor Group within 30 days from the date of purchase.
4. Costs associated with the removal from your home of your wine cooler for repairs. This wine cooler is designed to be repaired in the home and only in-home service is covered by this warranty.
5. Damage resulting from misuse, alteration, accident, abuse, fire, flood, acts of God, improper

7. Data Parameters

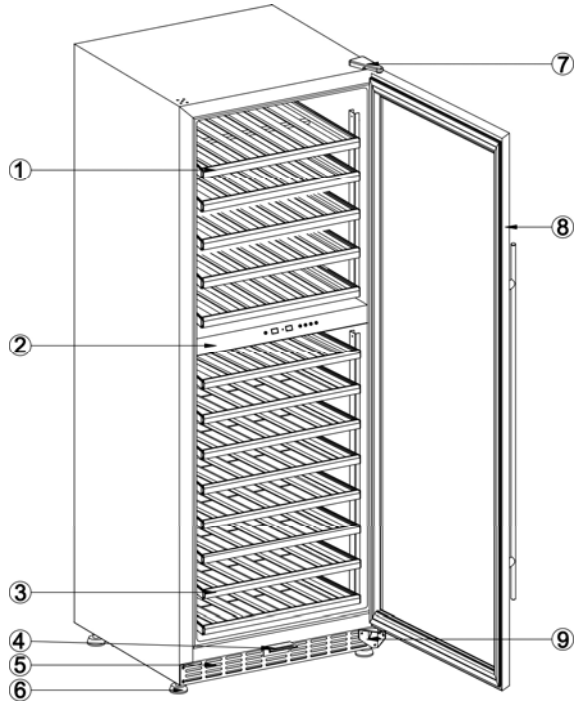
Model	HWC2408U
Climate Type	T
Volume(L)	380
Bottles Capacity	133
Rated current(A)	AC110-120V,60Hz
	1.6A
Rated power(W)	130W
Sound (db)	45
Net Weight (LBS)	201
Gross Weight (LBS)	210

back could be easily touched.

- Do not start the wine cooler too frequently. The interval should be at least 5 minutes.
- Before you throw away your old wine cooler: Take off the door. Leave the shelves in original place so that children may not easily climb inside.
- If the wine cooler with R600a, Flammable and explosive articles should not be put in or near the cabinet, to avoid the fire or explosion.
- This appliance can be used by children aged from 8 years and above and persons with reduced physical, sensory or mental capabilities or lack of experience and knowledge if they have been given supervision or instruction concerning use of the appliance in a safe way and understand the hazards involved .
- Children shall not play with the appliance. Cleaning and user maintenance shall not be made by children without supervision.
- If the supply cord is damaged, it must be replaced by the manufacturer, its service agent or similarly qualified persons in order to avoid a hazard.
- Please keep this Use Manual carefully, if you lost the Use Manual, please go to our website: www.gdyousheng.com and download it accordingly.
- The instructions shall include the substance of the following: This appliance is intended to be used in household and similar applications such as .
 - staff kitchen areas in shops, offices and other working environments;
 - farm houses and by clients in hotels, motels and other residential type environments;
 - bed and breakfast type environments;
 - catering and similar non-retail applications.
- Parameters and appearance of the product may be different from the manual, does not affect the normal use of the product.

2. Structure of Wine Coolers

1. HWC2408U series structure diagram:



- (1) Full wooden shelf (2) Control panel (3) Small wooden shelf
 (4) Latch hook (5) Ventilation base (6) Adjustable feet (7) Upper hinge
 (8) Glass door (9) Lower hinge

Turn on and off frequently.	<p>The room temperature is hotter than normal.</p> <p>A large amount of contents has been added to the Wine Cooler.</p> <p>The door is opened too often.</p> <p>The door is not closed completely.</p> <p>The temperature control is not set correctly.</p> <p>The door gasket does not seal properly.</p>
The light does not work.	<p>Not plugged in.</p> <p>The circuit breaker tripped or a blown fuse.</p> <p>The bulb has burned out.</p> <p>The light button is "OFF".</p>
Vibrations.	Check to assure that the Wine Cooler is on level.
The Wine Cooler seems to make too much noise.	<p>The rattling noise may come from the flow of the refrigerator, which is normal.</p> <p>As each cycle ends, you may hear gurgling sounds caused by the flow of refrigerator in your Wine Cooler.</p> <p>Contraction and expansion of the inside walls may cause popping and crackling noises.</p> <p>The Wine Cooler is not on level.</p>
The door will not close properly.	<p>The Wine Cooler is not on level.</p> <p>The door was reversed and not properly installed.</p> <p>The gasket is dirty.</p> <p>The shelves are out of position.</p>

Notes: The replacement of LED light must need the qualified technician. First to unscrew the 2 screws on the light cover, then take out the screw on the LED panel, and replace LED light of same specification.

- Make the door shut.
- Be sure the appliance stays secure in the upright position during transportation.

Also protect outside of appliance with a blanket, or similar item.

Energy saving Tips

- The Wine Cooler should be located in the coolest area of the room, away from heat producing appliances, and out of the direct sunlight

6. Troubleshooting

You can solve many common wine cooler problems easily, saving you the cost of a possible service call. Try the suggestions below to see if you can solve the problem before calling the service.

TROUBLESHOOTING GUIDE

(a) PROBLEM	(b) POSSIBLE CAUSE
Wine Cooler does not operate.	Not plugged in. The appliance is turned off. The circuit breaker tripped or a blown fuse.
Wine Cooler is not cold enough.	Check the temperature control setting. External environment may require a higher setting. The door is opened too often. The door is not closed completely. The door gasket does not seal properly.

3. Installation

➤ **Before Using Your Wine Cooler**

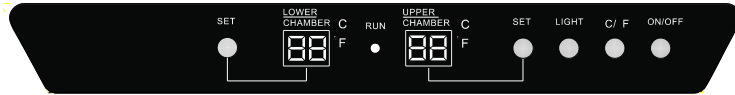
- Remove the exterior and interior packing.
- Before connecting the Wine Cooler to the power source, let it stand upright for approximately 2 hours. This will reduce the possibility of a malfunction in the cooling system from handling during transportation.
- Clean the interior surface with lukewarm water with a soft cloth.
- The cooler is specially designed for wine storage, please do not put in other goods.

➤ **Installation:**

- The cooler should be placed independently so as to make sure good heat dissipation. The back of the cooler should be away from the wall 10cm at minimum.
- Place your wine cooler on a floor that is strong enough to support it when it is fully loaded. To level your Wine Cooler, adjust the front leveling leg at the bottom of the Wine Cooler.
- Locate the Wine Cooler away from direct sunlight and sources of heat (stove, heater, radiator, etc.). Direct sunlight may affect the acrylic coating and heat sources may increase electrical consumption. Extreme cold ambient temperatures may also cause the unit not to perform properly.
- Avoid locating the unit in moist areas.
- Plug in the proper power socket. Make sure that the shape and voltage of the socket is consistent with the nameplate on the back of the cooler.

4. Operation Instruction

4.1 Control Panel Below (dual zone):



⊙ Display Windows

- **RUN light** : Indicator light of compressor working. While the compressor operating, the red light is on. While it stops operating, the red light is off.
- **UPPER CHAMBER** : Display of the actual temperature of the upper chamber. The range is 0°C~37°C or 32°F~99°F.
- **LOWER CHAMBER** : Display of the actual temperature of the lower chamber; The range is 0°C~37°C or 32°F~99°F.
- **°C/°F light**: When the °C light is on, it indicates Celsius temperature; When the °F light is on, it indicates Fahrenheit temperature.

⊙ Button Operation

- **SET Button of the upper chamber** : Temperature setting button; Once you press the button, the temperature increase 1°C or 1°F. Setting range is between 5°C~12°C or 41°F~54°F.
- **SET Button of the lower chamber** : Temperature setting button; Once you press the button, the temperature increase 1°C or 1°F. Setting range is between 12°C~22°C or 54°F~72°F.
- **LIGHT Button** : Cabinet light control button; Note: Once the light is turned on, it will automatically off after 10 minutes all out of protecting the wines inside.
- **°C/°F Button** : Celsius and Fahrenheit conversion button;
- **ON/OFF button** : Power on and off button; Press the button, it starts; press it again,

5. Care and Maintenance

Cleaning Your Wine Cooler

- Wash the inside surfaces with warm water and baking soda solution. The solution should be about 2 tablespoons of baking soda with a quart of water.
- Wash the shelves with a mild detergent solution.
- Turn off the power, unplug the appliance, and remove all items including shelves and rack.
- Wring excess water out of the sponge or cloth when cleaning area of the controls, or any electrical parts.
- Wash the outside cabinet with warm water and mild liquid detergent. Rinse well and wipe dry with a clean soft cloth.

➤ Power Failure

- Most power failures are corrected within a few hours and will not affect the temperature of your appliance if you minimize the number of times the door is opened. If the power is going to be off for a longer period of time, you need to take the proper steps to protect your contents.

➤ Vacancy time

- **Short vacancy**: Leave the Wine Cooler stopping working for around three weeks.
- **Long vacancy**: If the appliance will not be used for several months, remove all items and turn off the appliance. Clean and dry the interior thoroughly so as to restraint odors and mould. Leave the door open slightly all the time if necessary.

➤ Moving Your Wine Cooler

- Remove all items.
- Securely tape down all loose items (shelves) inside your appliance.
- Turn the adjustable leg up to the base to avoid damage.

the door to the opposite side.(Fig 6).

5.Pull open middle section of the door gasket, then it will come out the handle screw hole.(Fig 7); remove the handle and install it on the opposite side.(Fig 8)

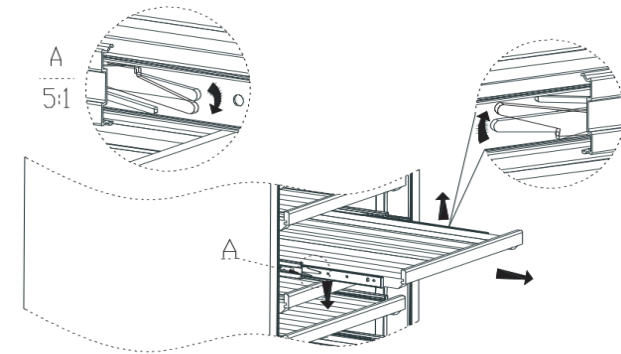
6.Install the upper door hinge to the opposite side and tighten the screws. (Fig 9)

7.Set glass door shaft to aim the shaft of lower door hinge (Fig 10);and then aim the upper door hinge (Fig 11); adjust the door and the cabinet is aligned and leveled, then tighten all the lock screws.

You also can call customer service for reversal instructions if it is necessary.

⊙ **Shelf Change**

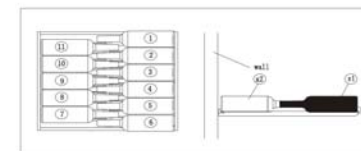
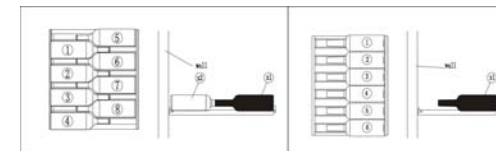
Do as the following shows if needing to pull out or change the shelves;



Firstly take out all the wines from the shelves and pull shelf out to the limit. Then press down the left limit of sliding rail and meanwhile press up the right one, pull the shelves out at this time. It could be easily pulled out if doing the three steps (Press down left limit, press up the right one and pulling out) at the same time.

⊙ **Placement and storage of wines**

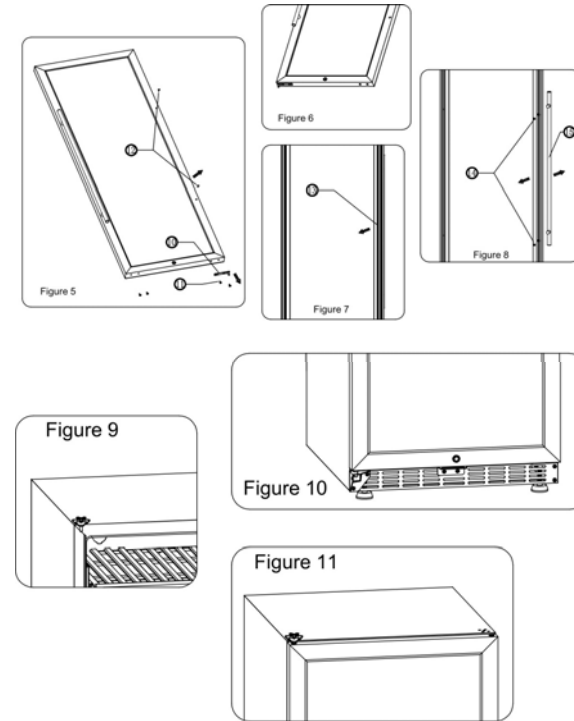
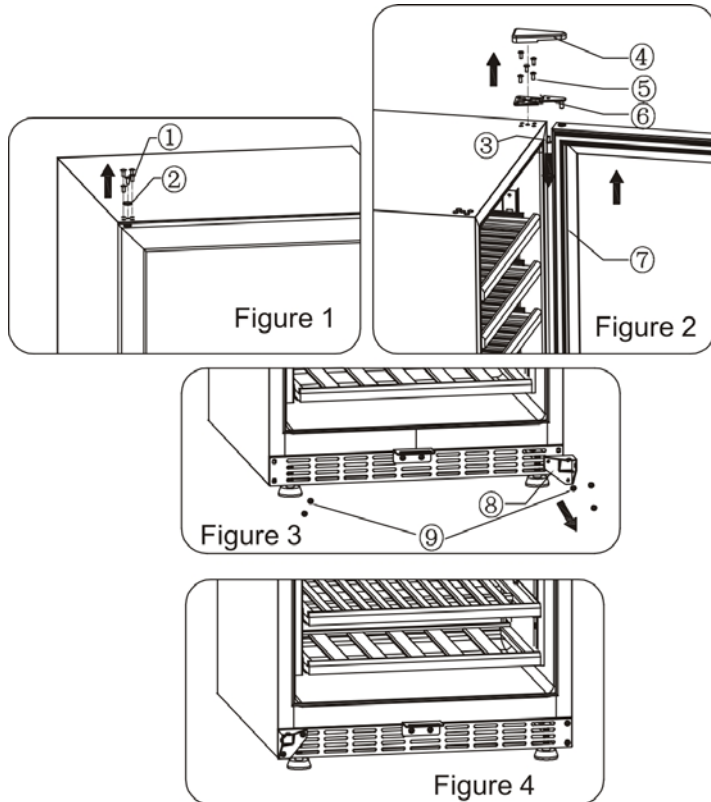
Several common layouts of wines:



Your cabinet was designed to store a maximum number of bottles in total security.
 The wines are kindly advised to layout equally.
 The best temperature for red wines is 11-18°C; For white wines is 6-12°C;
 The temperature range of our wine coolers could set between 5-22°C.

© **Reversing the door swing of your appliance**

The unit is delivered to you with the door opening from the left side (hinge on right side). The door of this appliance is capable of opening from either the left or right side . To reverse the door swing of your cooler and open from the right side , please follow the instructions and diagram as follows.



NOTE: All parts removed must be saved to allow the door swing to be reversed

1. Use the sharp tools to pry open the decoration nail on the top of the cabinet and the cap of door spindle carefully. (Fig 1)
2. Open the door to an angle, unscrew the screw of the door hinges cover , remove the cover of the upper door hinge; then unscrew all the screws on the upper door hinge. Be careful to hold the glass door firmly after removing the screw and take off the door. (Fig 2)
3. Remove the screw of lower door hinge and the left side screw of the front vent (Fig 3); and then install the lower door hinge at the designated position on the opposite side(Fig 4).
4. Remove the screw of door handle, then remove the bottom screw of left side of the door and remove the lower supporter of the door.(Fig 5); Install the lower support of