



— BRINGING —  
**LUXURY &  
INNOVATION**  
TO THE COMFORT OF  
YOUR OWN  
HOME



1-877-288-8099

[www.thorkitchen.com](http://www.thorkitchen.com) | [info@thorgroup.us](mailto:info@thorgroup.us)





**Thor Kitchen is proud to offer you the experience to cook food like a true chef with our professional style appliances. With innovation, quality and performance, we can help you build a dream kitchen that brings excitement to your home.**



# STANDARDIZED QUALITY

- Every Thor Kitchen product is **CSA** certified.
- Wine coolers are **Intertek (ETL)** certified.
- Thor Kitchen ensures that every product is manufactured with 8 different safety and quality standard tests.
- We aim to provide affordable, professional style appliances to the general public. We want to give you an enjoyable cooking experience with our products.

## KEY RANGE PARTS & FEATURES



### HEAVY DUTY CONTINUOUS GRATES

Each grate is one single piece that can handle any size of cookware

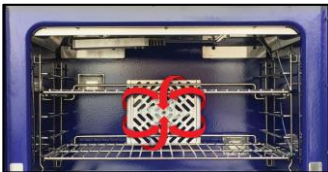


### GAS VALVE IS SOURCED FROM SPAIN



### 15,000 BTU SEALED DUAL BURNER

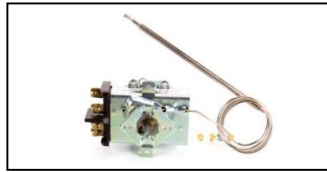
Powerful dual burner with Extra Low 650 BTU Simmer Function



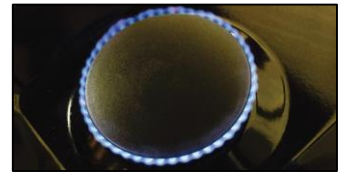
### BLUE PORCELAIN OVEN INTERIOR

Adding beauty & pleasure to your baking experience

**Reverse Direction Convection Fan** Provides controlled heat distribution for delicate baking



### USA MADE THERMOSTATS



### 18,000 BTU SEALED SINGLE BURNER

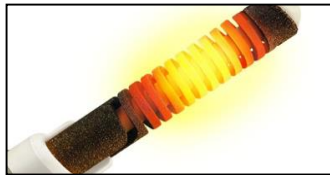
A high powered burner designed to accommodate even the largest cookware

**Automatic Re-Ignition** if the burner flame extinguishes



### HEAVY DUTY HANDLE

For professional style and functionality



### USA MADE SURFACE IGNITOR



### INFRARED BROIL BURNER

High-End broiler radiates the heat to sear your food & seal in the juices



# HRG3080U

## 30-Inch Professional Stainless Steel Gas Range



### FEATURES

- Black Porcelain Drip Pan On Cook Top
- Blue Porcelain Oven Interior
- Heavy Duty Continuous Cast Iron Cooking Grates
- Automatic Re-Ignition Safety Feature
- Reverse Direction Commercial Convection Fan
- Two (2) Halogen Oven Interior Lights
- Thermostatically Controlled Oven Heating System
- CSA Certified ABS Control Knobs
- CSA Certified Unit

### BURNER PERFORMANCE

Total Number of Range Top Burners	4 Burners
Front Left Sealed Single Burner BTU	18,000
Front Right Sealed Dual Burner BTU	15,000
* Extra Low Simmer Function BTU	650
Rear Left Sealed Single Burner BTU	12,000
Rear Right Sealed Single Burner BTU	12,000

### OVEN PERFORMANCE

Oven Capacity	4.2 Cu. Ft.
U-Shaped Stove Burner BTU	22,000
Oven Broil Burner BTU	13,000

### TECHNICAL DETAILS

Fuel Type	Natural Gas / LP (See Accessory)
Electrical Requirements	120V
Circuit Breaker (A)	15 or 20 A
Frequency (Hz)	60 Hz

### DIMENSION & WEIGHT

Product Dimension (W x D x H) (in)	29 <sup>15</sup> / <sub>16</sub> " x 26" x 35 <sup>1</sup> / <sub>2</sub> "
Required Cutout Size (W x D x H) (in)	30 <sup>1</sup> / <sub>8</sub> " x 24"-25" x 35 <sup>1</sup> / <sub>2</sub> "
Product Net Weight	200 lbs.

### ACCESSORIES (NOT INCLUDED)

- Stainless Steel Island Trim
- Liquid Propane Gas Conversion Kit
- High Altitude Conversion Kits for LP/Natural Gas

### WARRANTY

2 Year Warranty On Parts and Labor





# HRG3026U

## 30-Inch Professional Stainless Steel Gas Range



### FEATURES

- Black Porcelain Drip Pan On Cook Top
- Blue Porcelain Oven Interior
- Heavy Duty Continuous Cast Iron Cooking Grates
- Automatic Re-Ignition Safety Feature
- Reverse Direction Commercial Convection Fan
- Two (2) Halogen Oven Interior Lights
- Thermostatically Controlled Oven Heating System
- CSA Certified ABS Control Knobs
- CSA Certified Unit

### BURNER PERFORMANCE

Total Number of Range Top Burners	4 Burners
Front Left Sealed Single Burner BTU	18,000
Front Right Sealed Single Burner BTU	18,000
Rear Left Sealed Dual Burner BTU	15,000
* Extra Low Simmer Function BTU	650
Rear Right Sealed Dual Burner BTU	15,000
* Extra Low Simmer Function BTU	650

### OVEN PERFORMANCE

Oven Capacity	4.2 cu. Ft.
U-Shaped Stove Burner BTU	22,000
Infrared Broil Burner BTU	16,500

### TECHNICAL DETAILS

Fuel Type	Natural Gas / LP (See Accessory)
Electrical Requirements	120V
Circuit Breaker (A)	15 or 20 A
Frequency (Hz)	60 Hz

### DIMENSION & WEIGHT

Product Dimension (W x D x H) (in)	29 <sup>15</sup> / <sub>16</sub> " x 26" x 35 <sup>1</sup> / <sub>2</sub> "
Required Cutout Size (W x D x H) (in)	30 <sup>1</sup> / <sub>8</sub> " x 24"-25" x 35 <sup>1</sup> / <sub>2</sub> "-36 <sup>1</sup> / <sub>2</sub> "
Product Net Weight	241 lbs.
Adjustable Range Legs	1"

### ACCESSORIES (NOT INCLUDED)

- Stainless Steel Island Trim
- Liquid propane Gas Conversion Kit
- High Altitude Conversion Kits for LP/Natural Gas

### WARRANTY

2 Year Warranty On Parts and Labor



# HRG3617U

## 36-Inch Professional Stainless Steel Gas Range with Griddle



### FEATURES

- Black Porcelain Drip Pan On Cook Top
- Blue Porcelain Oven Interior
- Thermostatically Controlled Griddle with Dishwasher Safe Drip Pan
- Heavy Duty Continuous Cast Iron Cooking Grates
- Automatic Re-Ignition Safety Feature
- Reverse Direction Commercial Convection Fan
- Two (2) Halogen Oven Interior Lights
- Thermostatically Controlled Oven Heating System
- CSA Certified ABS Control Knobs
- CSA Certified Unit

### GRIDDLE PERFORMANCE

Infrared Thermostatically Controlled Stainless Steel Griddle BTU	15,000
--	--------

### BURNER PERFORMANCE

Total Number of Range Top Burners	4 Burners
Front Left Sealed Single Burner BTU	18,000
Front Right Sealed Single Burner BTU	18,000
Rear Left Sealed Dual Burner BTU	15,000
* Extra Low Simmer Function BTU	650
Rear Right Sealed Dual Burner BTU	15,000
* Extra Low Simmer Function BTU	650

### OVEN PERFORMANCE

Oven Capacity	5.2 cu. Ft.
U-Shaped Stove Burner BTU	22,000
Infrared Broil Burner BTU	16,500

### TECHNICAL DETAILS

Fuel Type	Natural Gas / LP (See Accessory)
Electrical Requirements	120V
Circuit Breaker (A)	15 or 20 A
Frequency (Hz)	60 Hz

### DIMENSION & WEIGHT

Product Dimension (W x D x H) (in)	35 <sup>15</sup> / <sub>16</sub> " x 26" x 35 ½"
Required Cutout Size (W x D x H) (in)	36 ⅞" x 24"-25" x 35 ½"-36 ½"
Product Net Weight	290 lbs.
Adjustable Range Legs	1"

### ACCESSORIES (NOT INCLUDED)

- Stainless Steel Island Trim
- Liquid Propane Gas Conversion Kit
- High Altitude Conversion Kits for LP/Natural Gas

### WARRANTY

2 Year Warranty On Parts and Labor

# HRG3618U

## 36-Inch Professional Stainless Steel Gas Range



### FEATURES

- Black Porcelain Drip Pan On Cook Top
- Blue Porcelain Oven Interior
- Heavy Duty Continuous Cast Iron Cooking Grates
- Automatic Re-Ignition Safety Feature
- Reverse Direction Commercial Convection Fan
- Two (2) Halogen Oven Interior Lights
- Thermostatically Controlled Oven Heating System
- CSA Certified ABS Burner Control Knobs
- CSA Certified Unit

### BURNER PERFORMANCE

Total Number of Range Top Burners	6 Burners
Front Left Sealed Dual Burner BTU	15,000
* Extra Low Simmer Function BTU	650
Front Center Sealed Single Burner BTU	18,000
Front Right Sealed Dual Burner BTU	15,000
* Extra Low Simmer Function BTU	650
Rear Left Sealed Single Burner BTU	12,000
Rear Center Sealed Single Burner BTU	12,000
Rear Right Sealed Single Burner BTU	12,000

### OVEN PERFORMANCE

Oven Capacity	5.2 cu. Ft.
U-Shaped Stove Burner BTU	22,000
Infrared Broil Burner BTU	16,500

### TECHNICAL DETAILS

Fuel Type	Natural Gas / LP (See Accessory)
Electrical Requirements	120V
Circuit Breaker (A)	15 or 20 A
Frequency (Hz)	60 Hz

### DIMENSION & WEIGHT

Product Dimension (W x D x H) (in)	35 <sup>15</sup> / <sub>16</sub> " x 26" x 35 1/2"
Required Cutout Size (W x D x H) (in)	36 1/8" x 24"-25" x 35 1/2"-36 1/2"
Product Net Weight	281 lbs.
Adjustable Range Legs	1"

### ACCESSORIES (NOT INCLUDED)

- Stainless Steel Island Trim
- Liquid Propane Gas Conversion Kit
- High Altitude Conversion Kits for LP/Natural Gas

### WARRANTY

2 Year Warranty On Parts and Labor



# HRG4808U

## 48-Inch Professional Stainless Steel Gas Range with Griddle



### FEATURES

- Stainless Steel Range Top Drip Pan
- Blue Porcelain Oven Interior
- Thermostatically Controlled Griddle with Dishwasher Safe Drip Pan
- Heavy Duty Continuous Cast Iron Cooking Grates
- Automatic Re-Ignition Safety Feature
- Reverse Direction Commercial Convention Fan (30-inch Oven)
- Three (3) Halogen Oven Interior Lights
- Thermostatically Controlled Oven Heating System
- CSA Certified ABS Burner Control Knobs
- CSA Certified Unit

### GRIDDLE PERFORMANCE

Infrared Thermostatically Controlled Stainless Steel Griddle BTU	15,000
--	--------

### BURNER PERFORMANCE

Total Number of Range Top Burners	6 Burners
Front Left Sealed Single Burner BTU	18,000
Front Center Sealed Single Burner BTU	18,000
Front Right Sealed Single Burner BTU	18,000
Rear Left Sealed Dual Burner BTU	15,000
* Extra Low Simmer Function BTU	650
Rear Center Sealed Dual Burner BTU	15,000
* Extra Low Simmer Function BTU	650
Rear Right Sealed Dual Burner BTU	15,000
* Extra Low Simmer Function BTU	650

### 30" OVEN PERFORMANCE

Oven Capacity	4.2 cu. Ft.
U-Shaped Stove Burner BTU	22,000
Infrared Broil Burner BTU	16,500

### 18" OVEN PERFORMANCE

Oven Capacity	2.5 cu. Ft.
Oven Tube Burner BTU	14,000

### TECHNICAL DETAILS

Fuel Type	Natural Gas / LP (See Accessory)
Electrical Requirements	120V
Circuit Breaker (A)	15 or 20 A
Frequency (Hz)	60 Hz

### DIMENSION & WEIGHT

Product Dimension (W x D x H) (in)	47 7/8" x 26" x 35 1/2"
Required Cutout Size (W x D x H) (in)	48 1/8" x 24"-25" x 35 1/2"-36 1/2"
Product Net Weight	408 lbs.
Adjustable Range Legs	1"

### ACCESSORIES (NOT INCLUDED)

- Stainless Steel Island Trim
- Liquid Propane Gas Conversion Kit
- High Altitude Conversion Kits for LP/Natural Gas

### WARRANTY

2 Year Warranty On Parts and Labor



# HRD3088U

## 30-Inch Professional Stainless Steel Dual Fuel Range



### FEATURES

- Black Porcelain Drip Pan On Cook Top
- Black Porcelain Oven Interior
- Heavy Duty Continuous Cast Iron Cooking Grates
- Automatic Re-Ignition Safety Feature
- Reverse Direction Commercial Convention Fan
- Two (2) Halogen Oven Interior Lights
- Thermostatically Controlled Oven Heating System
- CSA Certified Metal Burner Control Knobs
- CSA Certified Unit

### BURNER PERFORMANCE

Total Number of Range Top Burners	4 Burners
Front Left Sealed Single Burner BTU	18,000
Front Right Sealed Dual Burner BTU	15,000
* Extra Low Simmer Function BTU	650
Rear Left Sealed Single Burner BTU	12,000
Rear Right Sealed Single Burner BTU	12,000

### OVEN PERFORMANCE

Oven Capacity	4.2 cu. Ft.
Bake Power	850 W(Top) 3,000 W (Bottom)
Broil Power	3,500 W

### TECHNICAL DETAILS

Fuel Type	Natural Gas / LP (See Accessory)
Electrical Requirements	240 V (14-50r Power Outlet Required)
Circuit Breaker (A)	30 A
Frequency (Hz)	60 Hz

### DIMENSION & WEIGHT

Product Dimension (W x D x H) (in)	29 <sup>15</sup> / <sub>16</sub> " x 26" x 35 <sup>1</sup> / <sub>2</sub> "
Required Cutout Size (W x D x H) (in)	30 <sup>1</sup> / <sub>8</sub> " x 24"-25" x 35 <sup>1</sup> / <sub>2</sub> "-36 <sup>1</sup> / <sub>2</sub> "
Product Net Weight	252 lbs.
Adjustable Range Legs	1"

### ACCESSORIES (NOT INCLUDED)

- Stainless Steel Island Trim
- Liquid Propane Gas Conversion Kit
- High Altitude Conversion Kits for LP/Natural Gas

### WARRANTY

2 Year Warranty On Parts and Labor



# HRD3606U

## 36-Inch Professional Stainless Steel Dual Fuel Range



### FEATURES

- Black Porcelain Drip Pan On Cook Top
- Black Porcelain Oven Interior
- Heavy Duty Continuous Cast Iron Cooking Grates
- Automatic Re-Ignition Safety Feature
- Reverse Direction Commercial Convection Fan
- Two (2) Halogen Oven Interior Lights
- Thermostatically Controlled Oven Heating System
- CSA Certified Metal Burner Control Knobs
- CSA Certified Unit

### BURNER PERFORMANCE

Total Number of Range Top Burners	6 Burners
Front Left Sealed Single Burner BTU	18,000
Front Center Sealed Single Burner BTU	18,000
Front Right Sealed Single Burner BTU	18,000
Rear Left Sealed Dual Burner BTU	15,000
* Extra Low Simmer Function BTU	650
Rear Center Sealed Single Burner BTU	12,000
Rear Right Sealed Dual Burner BTU	15,000
* Extra Low Simmer Function BTU	650

### OVEN PERFORMANCE

Oven Capacity	5.2 cu. Ft.
Bake Power	850 W(Top) 3,000 W (Bottom)
Broil Power	3,500 W

### TECHNICAL DETAILS

Fuel Type	Natural Gas / LP (See Accessory)
Electrical Requirements	240 V (14-50r Power Outlet Required)
Circuit Breaker (A)	30 A
Frequency (Hz)	60 Hz

### DIMENSION & WEIGHT

Product Dimension (W x D x H) (in)	35 <sup>15</sup> / <sub>16</sub> " x 26" x 35 1/2"
Required Cutout Size (W x D x H) (in)	36 1/8" x 24"-25" x 35 1/2"-36 1/2"
Product Net Weight	284 lbs.
Adjustable Range Legs	1"

### ACCESSORIES (NOT INCLUDED)

- Stainless Steel Island Trim
- Liquid Propane Gas Conversion Kit
- High Altitude Conversion Kits for LP/Natural Gas

### WARRANTY

2 Year Warranty On Parts and Labor



# HRD4803U

## 48-Inch Professional Stainless Steel Dual Fuel Range with Griddle



### FEATURES

- Stainless Steel Drip Pan On Cook Top
- Black Porcelain Oven Interior
- Thermostatically Controlled Griddle with Dishwasher Safe Drip Pan
- Heavy Duty Continuous Cast Iron Cooking Grates
- Automatic Re-Ignition Safety Feature
- Reverse Direction Commercial Convention Fan (30-inch Oven)
- Three (3) Halogen Oven Interior Lights
- Thermostatically Controlled Oven Heating System
- CSA Certified Metal Burner Control Knobs
- CSA Certified Unit

### GRIDDLE PERFORMANCE

Stainless Steel Griddle BTU 15,000

### BURNER PERFORMANCE

- Total Number of Range Top Burners 6 Burners
- Front Left Sealed Single Burner BTU 18,000
- Front Center Sealed Dual Burner BTU 15,000
  - \* Extra Low Simmer Function BTU 650
- Front Right Sealed Single Burner BTU 18,000
- Rear Left Sealed Single Burner BTU 12,000
- Rear Center Sealed Single Burner BTU 12,000
- Rear Right Sealed Dual Burner BTU 15,000
  - \* Extra Low Simmer Function BTU 650

### 30" OVEN PERFORMANCE

- Oven Capacity 4.2 cu. Ft.
- Bake Power 850 W(Top)  
3,000 W (Bottom)
- Broil Power 3,500 W

### 18" OVEN PERFORMANCE

- Oven Capacity 2.5 cu. Ft.
- Bake Power 2,500 W (Bottom)

### TECHNICAL DETAILS

- Fuel Type Natural Gas / LP (See Accessory)
- Electrical Requirements 240 V  
(14-50r Power Outlet Required)
- Circuit Breaker (A) 40 A
- Frequency (Hz) 60 Hz

### DIMENSION & WEIGHT

- Product Dimension (W x D x H) (in) 47 7/8" x 26" x 35 1/2"
- Required Cutout Size (W x D x H) (in) 48 1/8" x 24"-25" x 35 1/2"-36 1/2"
- Product Net Weight 416 lbs.
- Adjustable Range Legs 1"

### ACCESSORIES (NOT INCLUDED)

- Stainless Steel Island Trim
- Liquid Propane Gas Conversion Kit
- High Altitude Conversion Kits for LP/Natural Gas

### WARRANTY

2 Year Warranty On Parts and Labor



# HRT3003U

## 30-Inch Pro Style Stainless Steel Gas Range Top



### FEATURES

- Black Porcelain Drip Pan On Cook Top
- Heavy Duty Continuous Cast Iron Cooking Grates
- Automatic Re-Ignition Safety Feature
- CSA Certified ABS Controller Knobs

### BURNER PERFORMANCE

Total Number of Range Top Burners	4 Burners
Front Left & Right Sealed Single Burners	18,000 BTU
Rear Left & Right Sealed Single Burners	12,000 BTU

### TECHNICAL DETAILS

Fuel Type	Natural Gas / LP (See Accessory)
Electrical Requirements	120V
Circuit Breaker (A)	15 or 20 A
Frequency (Hz)	60 Hz

### DIMENSION & WEIGHT

Product Dimension (W x D x H) (in)	29 7/8 x 25 3/4 x 7 3/8"
Required Cutout Size (W x D x H) (in)	30 1/8 x 24" x 7 3/8"-7 7/8"
Product Net Weight	70 lbs.
Adjustable Range Legs	1/2"

### ACCESSORIES (NOT INCLUDED)

- Liquid propane Gas Conversion Kit
- High Altitude Conversion Kits for LP/Natural Gas

### WARRANTY

2 Year Warranty On Parts and Labor

# HRT3618U

## 36-Inch Pro Style Stainless Steel Gas Range Top



### FEATURES

- Black Porcelain Drip Pan On Cook Top
- Heavy Duty Continuous Cast Iron Cooking Grates
- Automatic Re-Ignition Safety Feature
- CSA Certified ABS Controller Knobs

### BURNER PERFORMANCE

Total Number of Range Top Burners	6 Burners
Front Left & Right Sealed Dual Burners	15,000 BTU
* Extra Low Simmer Function	650 BTU
Front Center Sealed Single Burner	18,000 BTU
Rear Sealed Single Burners (All Three)	12,000 BTU

### TECHNICAL DETAILS

Fuel Type	Natural Gas / LP (See Accessory)
Electrical Requirements	120V
Circuit Breaker (A)	15 or 20 A
Frequency (Hz)	60 Hz

### DIMENSION & WEIGHT

Product Dimension (W x D x H) (in)	36" x 25 3/4" x 7 3/8"
Required Cutout Size (W x D x H) (in)	36 1/4" x 24" x 7 3/8"-7 7/8"
Product Net Weight	85 lbs.
Adjustable Range Legs	1/2"

### ACCESSORIES (NOT INCLUDED)

- Liquid propane Gas Conversion Kit
- High Altitude Conversion Kits for LP/Natural Gas

### WARRANTY

2 Year Warranty On Parts and Labor



# 04 SERIES RANGE HOOD

## Pro Style Stainless Steel Wall Chimney Range Hood



### FEATURES

<b>Controls</b>	4 Speed Fan LCD Touch Control Buttons		
<b>Installation Type</b>	Ducted (Top)		
<b>Illumination</b>	<b>30" / 36"</b>	Two (2) 1.5W Long Life LED Lamps	
<b>Blower</b>	<b>30" / 36"</b>	700 CFM	One (1) 6 7/8" Round Duct
<b>Filter Type</b>	Baffle Filters / Stainless Steel / Dishwasher Safe		
<b>Special Function</b>	1-15 Minutes Programmed Auto Shut-Off		
<b>Remote Control</b>	One (1) Remote Control Included		

### SPECIFICATION

<b>Size</b>	30", 36"		
<b>Models</b>	HRH3004U	29 1/2" x 21 5/8" x 2 5/16"	
(W x D x H) (in)	HRH3604U	35 1/2" x 21 5/8" x 2 5/16"	
<b>Type / Finish</b>	Wall Chimney Range Hood / Stainless Steel		
<b>Duct Covers</b>	Two (2) Adjustable Cover		
(W x D x H) (in)	13 1/8" x 13" x 19 11/16"		
<b>Electrical</b>	15 Amps at 120 Volts		
<b>Certification</b>	CSA Certified		
<b>Warranty</b>	2 Year Limited Warranty		



# 05 SERIES RANGE HOOD

## Pro Style Stainless Steel Under Cabinet Range Hood



### FEATURES

<b>Controls</b>	3 Speed Fan Touch Control Buttons		
<b>Installation Type</b>	Ducted (Top)		
<b>Illumination</b>	<b>30" / 36"</b>	Two (2) 1.5W Long Life LED Lamps	
	<b>48"</b>	Three (3) 1.5W Long Life LED Lamps	
<b>Blower</b>	<b>30" / 36"</b>	900 CFM	One (1) 7 5/8" Round Duct
	<b>48"</b>	1,200 CFM	Two (2) 7 5/8" Round Duct
<b>Filter Type</b>	Baffle Filters / Stainless Steel / Dishwasher Safe		
<b>Special Function</b>	15 Minutes Pre-Programmed Auto Shut-Off		

### SPECIFICATION

<b>Size</b>	30", 36", 48"		
<b>Models</b>	HRH3005U	29 3/4" x 23 3/8" x 18"	
(W x D x H) (in)	HRH3605U	35 3/4" x 23 3/8" x 18"	
	HRH4805U	47 3/4" x 23 3/8" x 18"	
<b>Type / Finish</b>	Under Cabinet Range Hood / Stainless Steel		
<b>Electrical</b>	15 Amps at 120 Volts		
<b>Certification</b>	CSA Certified		
<b>Warranty</b>	2 Year Limited Warranty		



# 06 SERIES RANGE HOOD

Pro Style Stainless Steel Under Cabinet Range Hood with Anti-Fingerprint Finish

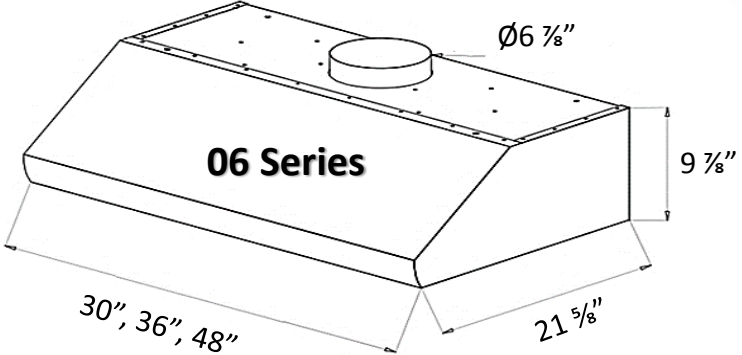
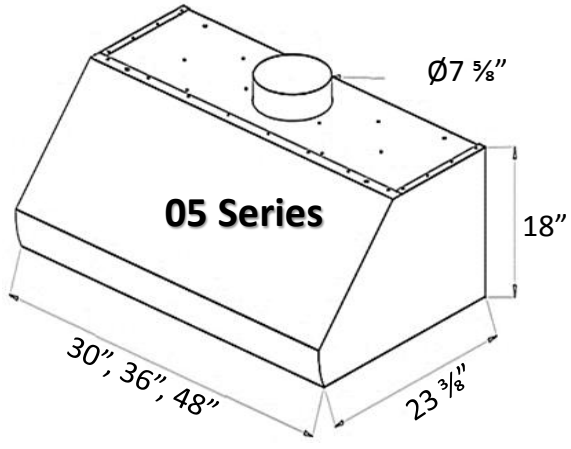
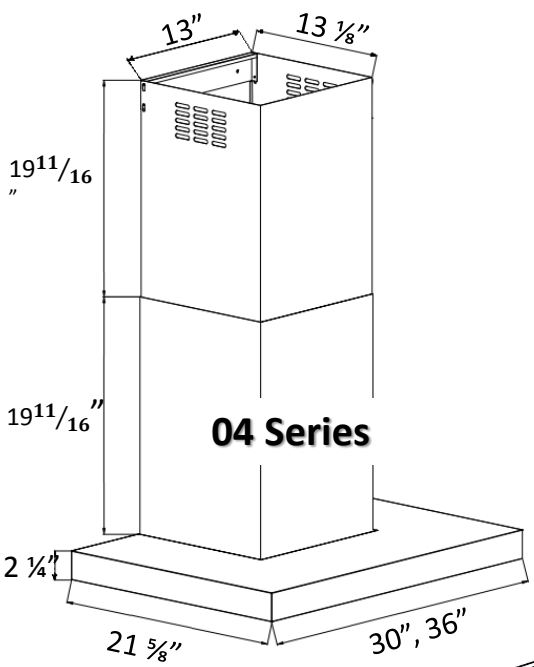


**FEATURES**

<b>Controls</b>	3 Speed Fan Touch Control Buttons
<b>Installation Type</b>	Ducted (Top)
<b>Illumination</b>	<b>30" / 36"</b> Two (2) 1.5W Long Life LED Lamps <b>48"</b> Three (3) 1.5W Long Life LED Lamps
<b>Blower</b>	<b>30" / 36"</b> 900 CFM One (1) 6 7/8" Round Duct <b>48"</b> 900 CFM Two (2) 6 7/8" Round Duct
<b>Filter Type</b>	Baffle Filters / Stainless Steel / Dishwasher Safe
<b>Special Function</b>	15 Minutes Pre-Programmed Auto Shut-Off

**SPECIFICATION**

<b>Size</b>	30", 36", 48"
<b>Models</b>	<b>HRH3006U</b> 29 3/4"(W) x 21 5/8"(D) x 9 7/8"(H) <b>HRH3606U</b> 35 3/4"(W) x 21 5/8"(D) x 9 7/8"(H) <b>HRH4806U</b> 47 3/4"(W) x 21 5/8"(D) x 9 7/8"(H)
<b>Type / Finish</b>	Under Cabinet Range Hood / Stainless Steel Anti-Fingerprint with Luster
<b>Electrical</b>	15 Amps at 120 Volts
<b>Certification</b>	CSA Certified
<b>Warranty</b>	2 Year Limited Warranty



# HDW2401SS

## 24" Pro Style Stainless Steel Dishwasher



**Features:**

- Delayed Start** (Pre-Programmed 1 - 24 hrs)
- Multiple Filter System** (Save water and energy with optimal performance)
- Smart Wash System** (Soil Sensor to help determine the cycle)
- Four Spray Arms**
- Removable Utensil Basket**
- Detergent & Rinse Aid Dispenser**

**Specification:**

<b>Size</b>	24 inch Semi-built In Style
<b>Noise Level</b>	45db
<b>Load Capacity</b>	48PCS / 20GP
<b>Product Dimension (W x D x H) (in)</b>	24" x 24 1/2" x 33 1/2"
<b>Product Weight</b>	91lb (41kg)
<b>Power Supply</b>	120volts, 60Hz
<b>Rated Power Usage</b>	Wash motor 95W Heater 840W
<b>Power of Heating Element</b>	120V / 840W
<b>Inlet Water Temperature Minimum</b>	120°F (49°C)
<b>Water Feed Pressure</b>	20 ~ 120 psi (138~ 828kPa)
<b>System Outlet Hose Length</b>	59"
<b>Washing Performance</b>	80 Plus Certified
<b>Water Consumption</b>	≤ 13.31L (3.1gal)
<b>Warranty</b>	2 Year Limited Warranty
<b>Energy Saving Class At A++</b>	CSA Certificated



# JC-116A2EQ

## Dual Zone 36 Bottle Wine Cooler

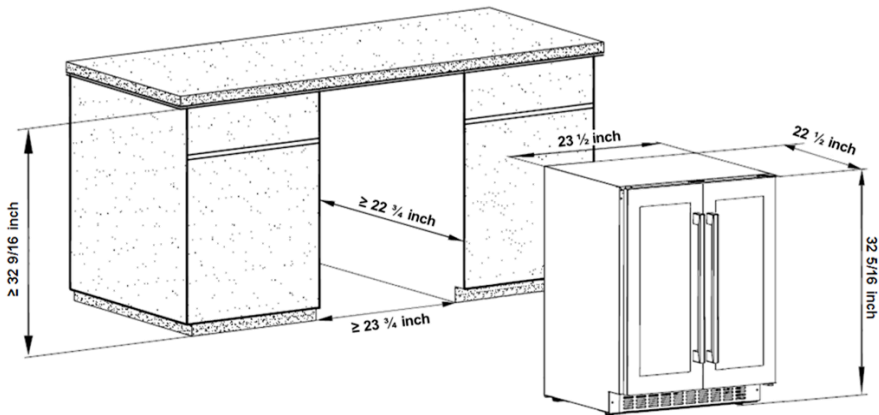
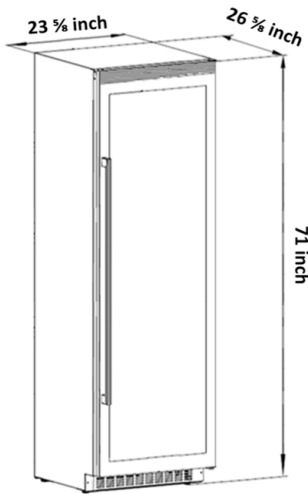


### Features

- |  |  |
|--|--|
| Dual Temperature Zone Design           | 40°F - 65°F / 40°F - 65°F                  |
| Stainless Steel Door and Handle        | White LED Interior Lights With Switch      |
| Twelve (12) Chromed Metal Wine Racks   | Blue LED Temperature Display (°C / °F)     |
| Built-In or Freestanding Application   | Blue LED Touch Pad Digital Control Readout |
| Tempered/Smoked Double Pane Glass Door |  |

### Specifications

- |  |                                   |
|--|-----------------------------------|
| Model: JC-116A2EQ  | Compressor-Powered Cooling        |
| Brand: Thor Kitchen  | Two (2) Interior Fans             |
| Capacity: 36 Bottle  | Refrigerant: R134a                |
| Input Voltage: 115V/60Hz   | 100% HFC Free & FCKW (CFC) Free   |
| Product Weight: 121 lbs.   | Energy Efficient Design           |
| CE, ETL, CB, RoHS Certified                                      | Warranty: 2 Year Limited Warranty |
| Product Dimension (W x D x H) (in): 23 1/2" x 22 1/2" x 32 5/16" |                                   |



# JC-428B2EQ

## Dual Zone 156 Bottle Wine Cooler



### Features

- |   |  |
|---|--|
| Dual Temperature Zone Design                | 40°F - 65°F / 40°F - 65°F                  |
| Reversible Door                             | White LED Interior Lights with Switch      |
| 15 Roll-Out Wooden Racks With Aluminum Trim | Blue LED Temperature Display               |
| Built-In or Freestanding Application        | Blue LED Touch Pad Digital Control Readout |
| Tempered/Smoked Double Pane Glass Door      | Stainless steel door and handle            |
| Built-In Lock For Extra Security            |  |

### Specifications

- |   |                                   |
|---|-----------------------------------|
| Model: JC-428B2EQ   | Compressor-Powered Cooling        |
| Brand: Thor Kitchen   | Two (2) Interior Fans             |
| Capacity: 156 Bottle  | Refrigerant: R134a                |
| Input Voltage: 115V/60Hz                                    | 100% HFC & FCKW (CFC) Free        |
| Weight: 231 lbs.  | Energy Efficient Design           |
| CE, ETL, CB, RoHS Certified                                 | Warranty: 2 Year Limited Warranty |
| Product Dimension (W x D x H) (in): 23 5/8" x 26 3/8" x 71" |                                   |



# LRG3001U

## 30-Inch Professional Stainless Steel Gas Range

GAS RANGES 17



### FEATURES

- Black Porcelain Drip Pan On Cook Top
- Black Porcelain Oven Interior
- Heavy Duty Continuous Cast Iron Cooking Grates
- Convection Fan
- Two (2) Halogen Oven Interior Lights
- Thermostatically Controlled Oven Heating System
- CSA Certified ABS Black Control Knobs

### BURNER PERFORMANCE

Total Number of Range Top Burners	5 Burners
Left Front	18,000
Left Rear	4,000
Center (Oval)	9,000
Right Front	8,000
Right Rear	6,000

### OVEN PERFORMANCE

Oven Capacity	4.55 Cu. Ft.
Tube Stove Burner BTU	18,000
Oven Broil Burner BTU	10,000

### TECHNICAL DETAILS

Fuel Type	Natural Gas / LP (See Accessory)
Electrical Requirements	120V
Circuit Breaker (A)	15 or 20 A
Frequency (Hz)	60 Hz

### DIMENSION & WEIGHT

Product Dimension (W x D x H) (in)	30" x 26" x 35 1/2"
Required Cutout Size (W x D x H) (in)	30 1/8" x 24"-25" x 35 1/2"-36 1/2"
Product Net Weight	200 lbs.

### ACCESSORIES (NOT INCLUDED)

- Liquid Propane Gas Conversion Kit
- High Altitude Conversion Kits for LP/Natural Gas

### WARRANTY

2 Year Warranty On Parts and Labor

**HRF3601F**

## 36 in. 4 Door Counter Depth French Door Freestanding Refrigerator with Automatic Ice Maker

**CAPACITY**

Total Unit Gross Capacity	20.85 cu. ft.
Refrigerator Gross Capacity	15.16 cu. ft.
Freezer Gross Capacity	5.69 cu. ft.

**FEATURES**

Counter Depth French Door  
 2-Drawer Freezer Provides Better Organization  
 A Full-Width Chiller Drawer Provides Flexible Storage  
 Retractable Shelf Designed To Fit Taller Items With Ease  
 Dual Cycle and Dual Air-Cooled Refrigeration System  
 2 Large Humidity Controlled Fresh Food Drawers  
 Automatic Ice-Maker

**TECHNICAL DETAILS**

Rated Current (A)	2.7 A
Defrost Current (A)	3.5 A
Volts (V)	115 V
Frequency (Hz)	60 Hz
Plug Type	120V-3 Prong
Refrigerant	R134a, 6.35 oz.

**REFRIGERATOR**

Lighting	High-Efficiency LED
Number of Shelves - Refrigerator	5
Adjustable Shelves - Refrigerator	4 Half-Width
Shelf Material - Refrigerator	Tempered Glass
Type of Shelves - Refrigerator	Tempered Glass
Gallon Storage Bins	4
Humidity Control Drawer	2
Defrost Process Freezer	Automatic
Defrost Process Refrigerator	Frost-Free
Ice Maker	Yes
Water Filter	Yes

**Warranty**

2 year warranty on parts and labor

