



— BRINGING —
**LUXURY &
INNOVATION**
TO THE COMFORT OF
YOUR OWN
HOME



1-877-288-8099

www.thorkitchen.com | info@thorgroup.us





Thor Kitchen is proud to offer you the experience to cook food like a true chef with our professional style appliances. With innovation, quality and performance, we can help you build a dream kitchen that brings excitement to your home.



STANDARDIZED QUALITY

- Every Thor Kitchen product is **CSA** certified.
- Wine coolers are **Intertek (ETL)** certified.
- Thor Kitchen ensures that every product is manufactured with 8 different safety and quality standard tests.
- We aim to provide affordable, professional style appliances to the general public. We want to give you an enjoyable cooking experience with our products.

KEY RANGE PARTS & FEATURES



HEAVY DUTY CONTINUOUS GRATES

Each grate is one single piece that can handle any size of cookware

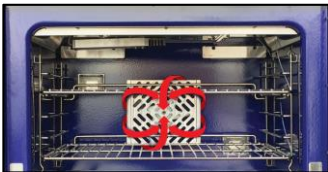


GAS VALVE IS SOURCED FROM SPAIN



15,000 BTU SEALED DUAL BURNER

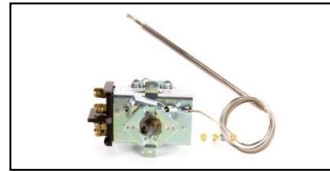
Powerful dual burner with Extra Low 650 BTU Simmer Function



BLUE PORCELAIN OVEN INTERIOR

Adding beauty & pleasure to your baking experience

Reverse Direction Convention Fan Provides controlled heat distribution for delicate baking



USA MADE THERMOSTATS



18,000 BTU SEALED SINGLE BURNER

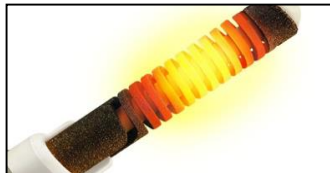
A high powered burner designed to accommodate even the largest cookware

Automatic Re-Ignition if the burner flame extinguishes



HEAVY DUTY HANDLE

For professional style and functionality



USA MADE SURFACE IGNITOR



INFRARED BROIL BURNER

High-End broiler radiates the heat to sear your food & seal in the juices

HRG3080U

30-Inch Professional Stainless Steel Gas Range



FEATURES

- Black Porcelain Drip Pan On Cook Top
- Blue Porcelain Oven Interior
- Heavy Duty Continuous Cast Iron Cooking Grates
- Automatic Re-Ignition Safety Feature
- Reverse Direction Commercial Convection Fan
- Two (2) Halogen Oven Interior Lights
- Thermostatically Controlled Oven Heating System
- CSA Certified ABS Control Knobs
- CSA Certified Unit

BURNER PERFORMANCE

| | |
|-------------------------------------|-----------|
| Total Number of Range Top Burners | 4 Burners |
| Front Left Sealed Single Burner BTU | 18,000 |
| Front Right Sealed Dual Burner BTU | 15,000 |
| * Extra Low Simmer Function BTU | 650 |
| Rear Left Sealed Single Burner BTU | 12,000 |
| Rear Right Sealed Single Burner BTU | 12,000 |

OVEN PERFORMANCE

| | |
|---------------------------|-------------|
| Oven Capacity | 4.2 Cu. Ft. |
| U-Shaped Stove Burner BTU | 22,000 |
| Oven Broil Burner BTU | 13,000 |

TECHNICAL DETAILS

| | |
|-------------------------|----------------------------------|
| Fuel Type | Natural Gas / LP (See Accessory) |
| Electrical Requirements | 120V |
| Circuit Breaker (A) | 15 or 20 A |
| Frequency (Hz) | 60 Hz |

DIMENSION & WEIGHT

| | |
|---------------------------------------|-----------------------------|
| Product Dimension (W x D x H) (in) | 29 15/16" x 26" x 35 1/2" |
| Required Cutout Size (W x D x H) (in) | 30 1/8" x 24"-25" x 35 1/2" |
| Product Net Weight | 200 lbs. |

ACCESSORIES (NOT INCLUDED)

- Stainless Steel Island Trim
- Liquid Propane Gas Conversion Kit
- High Altitude Conversion Kits for LP/Natural Gas

WARRANTY

2 Year Warranty On Parts and Labor



HRG3026U

30-Inch Professional Stainless Steel Gas Range



FEATURES

- Black Porcelain Drip Pan On Cook Top
- Blue Porcelain Oven Interior
- Heavy Duty Continuous Cast Iron Cooking Grates
- Automatic Re-Ignition Safety Feature
- Reverse Direction Commercial Convection Fan
- Two (2) Halogen Oven Interior Lights
- Thermostatically Controlled Oven Heating System
- CSA Certified ABS Control Knobs
- CSA Certified Unit

BURNER PERFORMANCE

| | |
|--------------------------------------|-----------|
| Total Number of Range Top Burners | 4 Burners |
| Front Left Sealed Single Burner BTU | 18,000 |
| Front Right Sealed Single Burner BTU | 18,000 |
| Rear Left Sealed Dual Burner BTU | 15,000 |
| * Extra Low Simmer Function BTU | 650 |
| Rear Right Sealed Dual Burner BTU | 15,000 |
| * Extra Low Simmer Function BTU | 650 |

OVEN PERFORMANCE

| | |
|---------------------------|-------------|
| Oven Capacity | 4.2 cu. Ft. |
| U-Shaped Stove Burner BTU | 22,000 |
| Infrared Broil Burner BTU | 16,500 |

TECHNICAL DETAILS

| | |
|-------------------------|----------------------------------|
| Fuel Type | Natural Gas / LP (See Accessory) |
| Electrical Requirements | 120V |
| Circuit Breaker (A) | 15 or 20 A |
| Frequency (Hz) | 60 Hz |

DIMENSION & WEIGHT

| | |
|---------------------------------------|--|
| Product Dimension (W x D x H) (in) | 29 ¹⁵ / ₁₆ " x 26" x 35 ¹ / ₂ " |
| Required Cutout Size (W x D x H) (in) | 30 ¹ / ₈ " x 24"-25" x 35 ¹ / ₂ "-36 ¹ / ₂ " |
| Product Net Weight | 241 lbs. |
| Adjustable Range Legs | 1" |

ACCESSORIES (NOT INCLUDED)

- Stainless Steel Island Trim
- Liquid propane Gas Conversion Kit
- High Altitude Conversion Kits for LP/Natural Gas

WARRANTY

2 Year Warranty On Parts and Labor



HRG3617U

36-Inch Professional Stainless Steel Gas Range with Griddle



FEATURES

- Black Porcelain Drip Pan On Cook Top
- Blue Porcelain Oven Interior
- Thermostatically Controlled Griddle with Dishwasher Safe Drip Pan
- Heavy Duty Continuous Cast Iron Cooking Grates
- Automatic Re-Ignition Safety Feature
- Reverse Direction Commercial Convection Fan
- Two (2) Halogen Oven Interior Lights
- Thermostatically Controlled Oven Heating System
- CSA Certified ABS Control Knobs
- CSA Certified Unit

GRIDDLE PERFORMANCE

| | |
|--|--------|
| Infrared Thermostatically Controlled Stainless Steel Griddle BTU | 15,000 |
|--|--------|

BURNER PERFORMANCE

| | |
|--------------------------------------|-----------|
| Total Number of Range Top Burners | 4 Burners |
| Front Left Sealed Single Burner BTU | 18,000 |
| Front Right Sealed Single Burner BTU | 18,000 |
| Rear Left Sealed Dual Burner BTU | 15,000 |
| * Extra Low Simmer Function BTU | 650 |
| Rear Right Sealed Dual Burner BTU | 15,000 |
| * Extra Low Simmer Function BTU | 650 |

OVEN PERFORMANCE

| | |
|---------------------------|-------------|
| Oven Capacity | 5.2 cu. Ft. |
| U-Shaped Stove Burner BTU | 22,000 |
| Infrared Broil Burner BTU | 16,500 |

TECHNICAL DETAILS

| | |
|-------------------------|----------------------------------|
| Fuel Type | Natural Gas / LP (See Accessory) |
| Electrical Requirements | 120V |
| Circuit Breaker (A) | 15 or 20 A |
| Frequency (Hz) | 60 Hz |

DIMENSION & WEIGHT

| | |
|---------------------------------------|--|
| Product Dimension (W x D x H) (in) | 35 ¹⁵ / ₁₆ " x 26" x 35 1/2" |
| Required Cutout Size (W x D x H) (in) | 36 1/8" x 24"-25" x 35 1/2"-36 1/2" |
| Product Net Weight | 290 lbs. |
| Adjustable Range Legs | 1" |

ACCESSORIES (NOT INCLUDED)

- Stainless Steel Island Trim
- Liquid Propane Gas Conversion Kit
- High Altitude Conversion Kits for LP/Natural Gas

WARRANTY

2 Year Warranty On Parts and Labor



HRG3618U

36-Inch Professional Stainless Steel Gas Range



FEATURES

- Black Porcelain Drip Pan On Cook Top
- Blue Porcelain Oven Interior
- Heavy Duty Continuous Cast Iron Cooking Grates
- Automatic Re-Ignition Safety Feature
- Reverse Direction Commercial Convection Fan
- Two (2) Halogen Oven Interior Lights
- Thermostatically Controlled Oven Heating System
- CSA Certified ABS Burner Control Knobs
- CSA Certified Unit

BURNER PERFORMANCE

| | |
|---------------------------------------|-----------|
| Total Number of Range Top Burners | 6 Burners |
| Front Left Sealed Dual Burner BTU | 15,000 |
| * Extra Low Simmer Function BTU | 650 |
| Front Center Sealed Single Burner BTU | 18,000 |
| Front Right Sealed Dual Burner BTU | 15,000 |
| * Extra Low Simmer Function BTU | 650 |
| Rear Left Sealed Single Burner BTU | 12,000 |
| Rear Center Sealed Single Burner BTU | 12,000 |
| Rear Right Sealed Single Burner BTU | 12,000 |

OVEN PERFORMANCE

| | |
|---------------------------|-------------|
| Oven Capacity | 5.2 cu. Ft. |
| U-Shaped Stove Burner BTU | 22,000 |
| Infrared Broil Burner BTU | 16,500 |

TECHNICAL DETAILS

| | |
|-------------------------|----------------------------------|
| Fuel Type | Natural Gas / LP (See Accessory) |
| Electrical Requirements | 120V |
| Circuit Breaker (A) | 15 or 20 A |
| Frequency (Hz) | 60 Hz |

DIMENSION & WEIGHT

| | |
|---------------------------------------|--|
| Product Dimension (W x D x H) (in) | 35 ¹⁵ / ₁₆ " x 26" x 35 1/2" |
| Required Cutout Size (W x D x H) (in) | 36 1/8" x 24"-25" x 35 1/2"-36 1/2" |
| Product Net Weight | 281 lbs. |
| Adjustable Range Legs | 1" |

ACCESSORIES (NOT INCLUDED)

- Stainless Steel Island Trim
- Liquid Propane Gas Conversion Kit
- High Altitude Conversion Kits for LP/Natural Gas

WARRANTY

2 Year Warranty On Parts and Labor



HRG4808U

48-Inch Professional Stainless Steel Gas Range with Griddle



FEATURES

- Stainless Steel Range Top Drip Pan
- Blue Porcelain Oven Interior
- Thermostatically Controlled Griddle with Dishwasher Safe Drip Pan
- Heavy Duty Continuous Cast Iron Cooking Grates
- Automatic Re-Ignition Safety Feature
- Reverse Direction Commercial Convention Fan (30-inch Oven)
- Three (3) Halogen Oven Interior Lights
- Thermostatically Controlled Oven Heating System
- CSA Certified ABS Burner Control Knobs
- CSA Certified Unit

GRIDDLE PERFORMANCE

| | |
|--|--------|
| Infrared Thermostatically Controlled Stainless Steel Griddle BTU | 15,000 |
|--|--------|

BURNER PERFORMANCE

| | |
|---------------------------------------|-----------|
| Total Number of Range Top Burners | 6 Burners |
| Front Left Sealed Single Burner BTU | 18,000 |
| Front Center Sealed Single Burner BTU | 18,000 |
| Front Right Sealed Single Burner BTU | 18,000 |
| Rear Left Sealed Dual Burner BTU | 15,000 |
| * Extra Low Simmer Function BTU | 650 |
| Rear Center Sealed Dual Burner BTU | 15,000 |
| * Extra Low Simmer Function BTU | 650 |
| Rear Right Sealed Dual Burner BTU | 15,000 |
| * Extra Low Simmer Function BTU | 650 |

30" OVEN PERFORMANCE

| | |
|---------------------------|-------------|
| Oven Capacity | 4.2 cu. Ft. |
| U-Shaped Stove Burner BTU | 22,000 |
| Infrared Broil Burner BTU | 16,500 |

18" OVEN PERFORMANCE

| | |
|----------------------|-------------|
| Oven Capacity | 2.5 cu. Ft. |
| Oven Tube Burner BTU | 14,000 |

TECHNICAL DETAILS

| | |
|-------------------------|----------------------------------|
| Fuel Type | Natural Gas / LP (See Accessory) |
| Electrical Requirements | 120V |
| Circuit Breaker (A) | 15 or 20 A |
| Frequency (Hz) | 60 Hz |

DIMENSION & WEIGHT

| | |
|---------------------------------------|-------------------------------------|
| Product Dimension (W x D x H) (in) | 47 7/8" x 26" x 35 1/2" |
| Required Cutout Size (W x D x H) (in) | 48 1/8" x 24"-25" x 35 1/2"-36 1/2" |
| Product Net Weight | 408 lbs. |
| Adjustable Range Legs | 1" |

ACCESSORIES (NOT INCLUDED)

- Stainless Steel Island Trim
- Liquid Propane Gas Conversion Kit
- High Altitude Conversion Kits for LP/Natural Gas

WARRANTY

2 Year Warranty On Parts and Labor

HRD3088U

30-Inch Professional Stainless Steel Dual Fuel Range



FEATURES

- Black Porcelain Drip Pan On Cook Top
- Black Porcelain Oven Interior
- Heavy Duty Continuous Cast Iron Cooking Grates
- Automatic Re-Ignition Safety Feature
- Reverse Direction Commercial Convection Fan
- Two (2) Halogen Oven Interior Lights
- Thermostatically Controlled Oven Heating System
- CSA Certified Metal Burner Control Knobs
- CSA Certified Unit

BURNER PERFORMANCE

| | |
|-------------------------------------|-----------|
| Total Number of Range Top Burners | 4 Burners |
| Front Left Sealed Single Burner BTU | 18,000 |
| Front Right Sealed Dual Burner BTU | 15,000 |
| * Extra Low Simmer Function BTU | 650 |
| Rear Left Sealed Single Burner BTU | 12,000 |
| Rear Right Sealed Single Burner BTU | 12,000 |

OVEN PERFORMANCE

| | |
|---------------|--------------------------------|
| Oven Capacity | 4.2 cu. Ft. |
| Bake Power | 850 W(Top) 3,000 W (Bottom) |
| Broil Power | 3,500 W |

TECHNICAL DETAILS

| | |
|-------------------------|---|
| Fuel Type | Natural Gas / LP (See Accessory) |
| Electrical Requirements | 240 V (14-50r Power Outlet Required) |
| Circuit Breaker (A) | 30 A |
| Frequency (Hz) | 60 Hz |

DIMENSION & WEIGHT

| | |
|---------------------------------------|--|
| Product Dimension (W x D x H) (in) | 29 ¹⁵ / ₁₆ " x 26" x 35 ¹ / ₂ " |
| Required Cutout Size (W x D x H) (in) | 30 ¹ / ₈ " x 24"-25" x 35 ¹ / ₂ "-36 ¹ / ₂ " |
| Product Net Weight | 252 lbs. |
| Adjustable Range Legs | 1" |

ACCESSORIES (NOT INCLUDED)

- Stainless Steel Island Trim
- Liquid Propane Gas Conversion Kit
- High Altitude Conversion Kits for LP/Natural Gas

WARRANTY

2 Year Warranty On Parts and Labor



HRD3606U

36-Inch Professional Stainless Steel Dual Fuel Range



FEATURES

- Black Porcelain Drip Pan On Cook Top
- Black Porcelain Oven Interior
- Heavy Duty Continuous Cast Iron Cooking Grates
- Automatic Re-Ignition Safety Feature
- Reverse Direction Commercial Convection Fan
- Two (2) Halogen Oven Interior Lights
- Thermostatically Controlled Oven Heating System
- CSA Certified Metal Burner Control Knobs
- CSA Certified Unit

BURNER PERFORMANCE

| | |
|---------------------------------------|-----------|
| Total Number of Range Top Burners | 6 Burners |
| Front Left Sealed Single Burner BTU | 18,000 |
| Front Center Sealed Single Burner BTU | 18,000 |
| Front Right Sealed Single Burner BTU | 18,000 |
| Rear Left Sealed Dual Burner BTU | 15,000 |
| * Extra Low Simmer Function BTU | 650 |
| Rear Center Sealed Single Burner BTU | 12,000 |
| Rear Right Sealed Dual Burner BTU | 15,000 |
| * Extra Low Simmer Function BTU | 650 |

OVEN PERFORMANCE

| | |
|---------------|--------------------------------|
| Oven Capacity | 5.2 cu. Ft. |
| Bake Power | 850 W(Top) 3,000 W (Bottom) |
| Broil Power | 3,500 W |

TECHNICAL DETAILS

| | |
|-------------------------|---|
| Fuel Type | Natural Gas / LP (See Accessory) |
| Electrical Requirements | 240 V (14-50r Power Outlet Required) |
| Circuit Breaker (A) | 30 A |
| Frequency (Hz) | 60 Hz |

DIMENSION & WEIGHT

| | |
|---------------------------------------|--|
| Product Dimension (W x D x H) (in) | 35 ¹⁵ / ₁₆ " x 26" x 35 1/2" |
| Required Cutout Size (W x D x H) (in) | 36 1/8" x 24"-25" x 35 1/2"-36 1/2" |
| Product Net Weight | 284 lbs. |
| Adjustable Range Legs | 1" |

ACCESSORIES (NOT INCLUDED)

- Stainless Steel Island Trim
- Liquid Propane Gas Conversion Kit
- High Altitude Conversion Kits for LP/Natural Gas

WARRANTY

2 Year Warranty On Parts and Labor



HRD4803U

48-Inch Professional Stainless Steel Dual Fuel Range with Griddle



FEATURES

- Stainless Steel Drip Pan On Cook Top
- Black Porcelain Oven Interior
- Thermostatically Controlled Griddle with Dishwasher Safe Drip Pan
- Heavy Duty Continuous Cast Iron Cooking Grates
- Automatic Re-Ignition Safety Feature
- Reverse Direction Commercial Convention Fan (30-inch Oven)
- Three (3) Halogen Oven Interior Lights
- Thermostatically Controlled Oven Heating System
- CSA Certified Metal Burner Control Knobs
- CSA Certified Unit

GRIDDLE PERFORMANCE

Stainless Steel Griddle BTU 15,000

BURNER PERFORMANCE

Total Number of Range Top Burners 6 Burners

Front Left Sealed Single Burner BTU 18,000

Front Center Sealed Dual Burner BTU 15,000

* Extra Low Simmer Function BTU 650

Front Right Sealed Single Burner BTU 18,000

Rear Left Sealed Single Burner BTU 12,000

Rear Center Sealed Single Burner BTU 12,000

Rear Right Sealed Dual Burner BTU 15,000

* Extra Low Simmer Function BTU 650

30" OVEN PERFORMANCE

Oven Capacity 4.2 cu. Ft.

Bake Power 850 W(Top)
3,000 W (Bottom)

Broil Power 3,500 W

18" OVEN PERFORMANCE

Oven Capacity 2.5 cu. Ft.

Bake Power 2,500 W (Bottom)

TECHNICAL DETAILS

Fuel Type Natural Gas / LP (See Accessory)

Electrical Requirements 240 V
(14-50r Power Outlet Required)

Circuit Breaker (A) 40 A

Frequency (Hz) 60 Hz

DIMENSION & WEIGHT

Product Dimension (W x D x H) (in) 47 7/8" x 26" x 35 1/2"

Required Cutout Size (W x D x H) (in) 48 1/8" x 24"-25" x 35 1/2"-36 1/2"

Product Net Weight 416 lbs.

Adjustable Range Legs 1"

ACCESSORIES (NOT INCLUDED)

- Stainless Steel Island Trim
- Liquid Propane Gas Conversion Kit
- High Altitude Conversion Kits for LP/Natural Gas

WARRANTY

2 Year Warranty On Parts and Labor

HRT3003U

30-Inch Pro Style Stainless Steel Gas Range Top



FEATURES

- Black Porcelain Drip Pan On Cook Top
- Heavy Duty Continuous Cast Iron Cooking Grates
- Automatic Re-Ignition Safety Feature
- CSA Certified ABS Controller Knobs

BURNER PERFORMANCE

| | |
|--|------------|
| Total Number of Range Top Burners | 4 Burners |
| Front Left & Right Sealed Single Burners | 18,000 BTU |
| Rear Left & Right Sealed Single Burners | 12,000 BTU |

TECHNICAL DETAILS

| | |
|-------------------------|----------------------------------|
| Fuel Type | Natural Gas / LP (See Accessory) |
| Electrical Requirements | 120V |
| Circuit Breaker (A) | 15 or 20 A |
| Frequency (Hz) | 60 Hz |

DIMENSION & WEIGHT

| | |
|---------------------------------------|------------------------------|
| Product Dimension (W x D x H) (in) | 29 7/8 x 25 3/4 x 7 3/8" |
| Required Cutout Size (W x D x H) (in) | 30 1/8 x 24" x 7 3/8"-7 7/8" |
| Product Net Weight | 70 lbs. |
| Adjustable Range Legs | 1/2" |

ACCESSORIES (NOT INCLUDED)

- Liquid propane Gas Conversion Kit
- High Altitude Conversion Kits for LP/Natural Gas

WARRANTY

2 Year Warranty On Parts and Labor

HRT3618U

36-Inch Pro Style Stainless Steel Gas Range Top



FEATURES

- Black Porcelain Drip Pan On Cook Top
- Heavy Duty Continuous Cast Iron Cooking Grates
- Automatic Re-Ignition Safety Feature
- CSA Certified ABS Controller Knobs

BURNER PERFORMANCE

| | |
|--|------------|
| Total Number of Range Top Burners | 6 Burners |
| Front Left & Right Sealed Dual Burners | 15,000 BTU |
| * Extra Low Simmer Function | 650 BTU |
| Front Center Sealed Single Burner | 18,000 BTU |
| Rear Sealed Single Burners (All Three) | 12,000 BTU |

TECHNICAL DETAILS

| | |
|-------------------------|----------------------------------|
| Fuel Type | Natural Gas / LP (See Accessory) |
| Electrical Requirements | 120V |
| Circuit Breaker (A) | 15 or 20 A |
| Frequency (Hz) | 60 Hz |

DIMENSION & WEIGHT

| | |
|---------------------------------------|-------------------------------|
| Product Dimension (W x D x H) (in) | 36" x 25 3/4" x 7 3/8" |
| Required Cutout Size (W x D x H) (in) | 36 1/4" x 24" x 7 3/8"-7 7/8" |
| Product Net Weight | 85 lbs. |
| Adjustable Range Legs | 1/2" |

ACCESSORIES (NOT INCLUDED)

- Liquid propane Gas Conversion Kit
- High Altitude Conversion Kits for LP/Natural Gas

WARRANTY

2 Year Warranty On Parts and Labor

04 SERIES RANGE HOOD

Pro Style Stainless Steel Wall Chimney Range Hood



FEATURES

| | | | |
|--------------------------|--|----------------------------------|---------------------------|
| Controls | 4 Speed Fan LCD Touch Control Buttons | | |
| Installation Type | Ducted (Top) | | |
| Illumination | 30" / 36" | Two (2) 1.5W Long Life LED Lamps | |
| Blower | 30" / 36" | 700 CFM | One (1) 6 7/8" Round Duct |
| Filter Type | Baffle Filters / Stainless Steel / Dishwasher Safe | | |
| Special Function | 1-15 Minutes Programmed Auto Shut-Off | | |
| Remote Control | One (1) Remote Control Included | | |

SPECIFICATION

| | | | |
|----------------------|---|-----------------------------|--|
| Size | 30", 36" | | |
| Models | HRH3004U | 29 1/2" x 21 5/8" x 2 5/16" | |
| (W x D x H) (in) | HRH3604U | 35 1/2" x 21 5/8" x 2 5/16" | |
| Type / Finish | Wall Chimney Range Hood / Stainless Steel | | |
| Duct Covers | Two (2) Adjustable Cover | | |
| (W x D x H) (in) | 13 1/8" x 13" x 19 11/16" | | |
| Electrical | 15 Amps at 120 Volts | | |
| Certification | CSA Certified | | |
| Warranty | 2 Year Limited Warranty | | |

05 SERIES RANGE HOOD

Pro Style Stainless Steel Under Cabinet Range Hood



FEATURES

| | | | |
|--------------------------|--|------------------------------------|---------------------------|
| Controls | 3 Speed Fan Touch Control Buttons | | |
| Installation Type | Ducted (Top) | | |
| Illumination | 30" / 36" | Two (2) 1.5W Long Life LED Lamps | |
| | 48" | Three (3) 1.5W Long Life LED Lamps | |
| Blower | 30" / 36" | 900 CFM | One (1) 7 7/8" Round Duct |
| | 48" | 1,200 CFM | Two (2) 7 7/8" Round Duct |
| Filter Type | Baffle Filters / Stainless Steel / Dishwasher Safe | | |
| Special Function | 15 Minutes Pre-Programmed Auto Shut-Off | | |

SPECIFICATION

| | | | |
|----------------------|--|-------------------------|--|
| Size | 30", 36", 48" | | |
| Models | HRH3005U | 29 3/4" x 23 3/8" x 18" | |
| (W x D x H) (in) | HRH3605U | 35 3/4" x 23 3/8" x 18" | |
| | HRH4805U | 47 3/4" x 23 3/8" x 18" | |
| Type / Finish | Under Cabinet Range Hood / Stainless Steel | | |
| Electrical | 15 Amps at 120 Volts | | |
| Certification | CSA Certified | | |
| Warranty | 2 Year Limited Warranty | | |

06 SERIES RANGE HOOD

Pro Style Stainless Steel Under Cabinet Range Hood with Anti-Fingerprint Finish

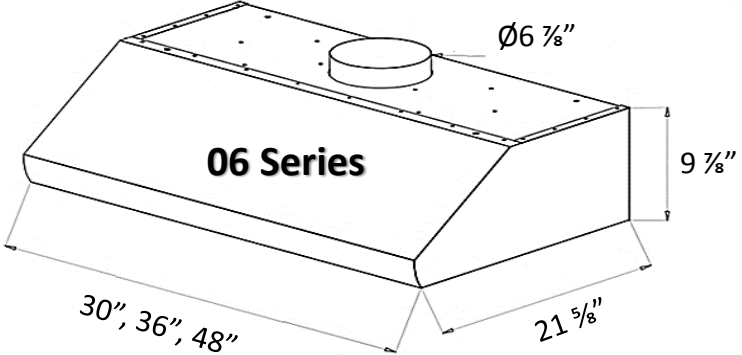
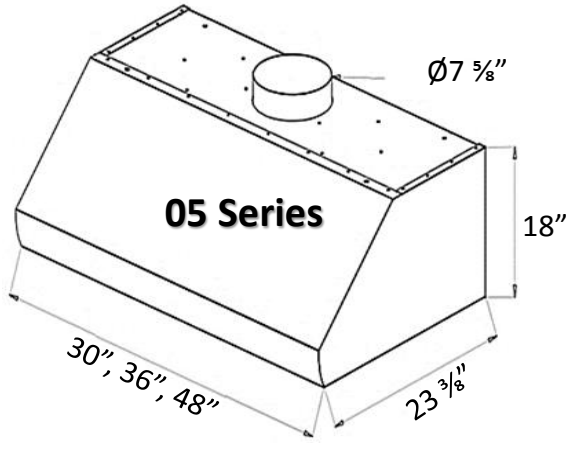
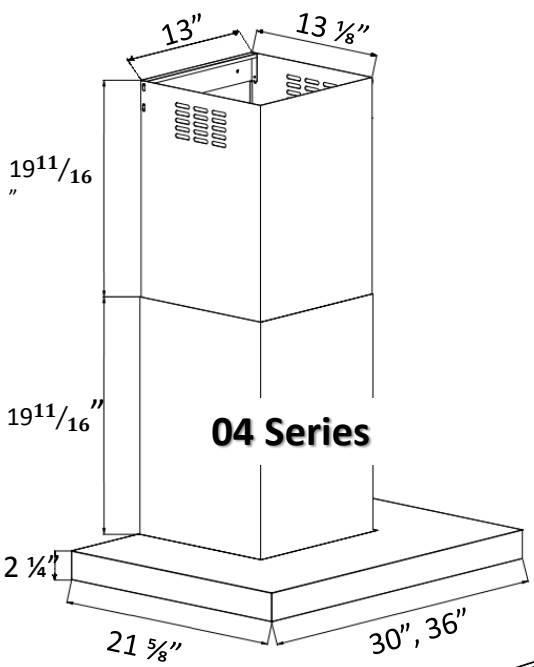


FEATURES

| | | |
|--------------------------|--|------------------------------------|
| Controls | 3 Speed Fan Touch Control Buttons | |
| Installation Type | Ducted (Top) | |
| Illumination | 30" / 36" | Two (2) 1.5W Long Life LED Lamps |
| | 48" | Three (3) 1.5W Long Life LED Lamps |
| Blower | 30" / 36" | 900 CFM One (1) 6 7/8" Round Duct |
| | 48" | 900 CFM Two (2) 6 7/8" Round Duct |
| Filter Type | Baffle Filters / Stainless Steel / Dishwasher Safe | |
| Special Function | 15 Minutes Pre-Programmed Auto Shut-Off | |

SPECIFICATION

| | | |
|----------------------|--|-------------------------------------|
| Size | 30", 36", 48" | |
| Models | HRH3006U | 29 3/4"(W) x 21 5/8"(D) x 9 7/8"(H) |
| | HRH3606U | 35 3/4"(W) x 21 5/8"(D) x 9 7/8"(H) |
| | HRH4806U | 47 3/4"(W) x 21 5/8"(D) x 9 7/8"(H) |
| Type / Finish | Under Cabinet Range Hood / Stainless Steel Anti-Fingerprint with Luster | |
| Electrical | 15 Amps at 120 Volts | |
| Certification | CSA Certified | |
| Warranty | 2 Year Limited Warranty | |



HDW2401SS

24" Pro Style Stainless Steel Dishwasher



Features:

- Delayed Start** (Pre-Programmed 1 - 24 hrs)
- Multiple Filter System** (Save water and energy with optimal performance)
- Smart Wash System** (Soil Sensor to help determine the cycle)
- Four Spray Arms**
- Removable Utensil Basket**
- Detergent & Rinse Aid Dispenser**

Specification:

| | |
|---|-----------------------------|
| Size | 24 inch Semi-built In Style |
| Noise Level | 45db |
| Load Capacity | 48PCS / 20GP |
| Product Dimension (W x D x H) (in) | 24" x 24 1/2" x 33 1/2" |
| Product Weight | 91lb (41kg) |
| Power Supply | 120volts, 60Hz |
| Rated Power Usage | Wash motor 95W Heater 840W |
| Power of Heating Element | 120V / 840W |
| Inlet Water Temperature Minimum | 120°F (49°C) |
| Water Feed Pressure | 20 ~ 120 psi (138~ 828kPa) |
| System Outlet Hose Length | 59" |
| Washing Performance | 80 Plus Certified |
| Water Consumption | ≤ 13.31L (3.1gal) |
| Warranty | 2 Year Limited Warranty |
| Energy Saving Class At A++ | CSA Certificated |



JC-116A2EQ

Dual Zone 36 Bottle Wine Cooler

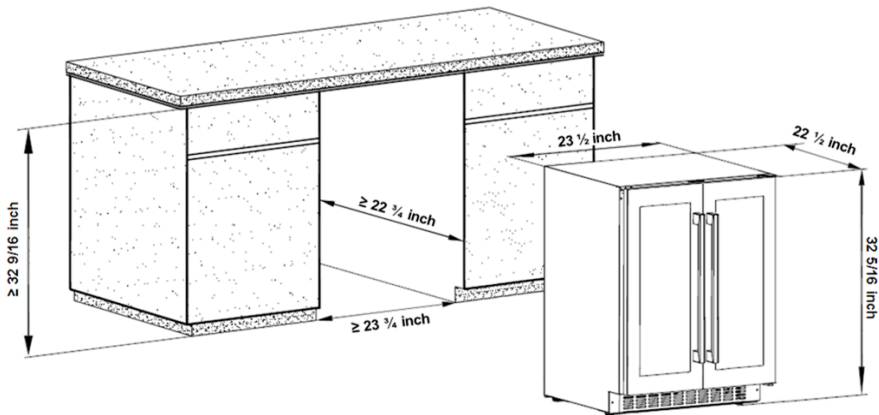
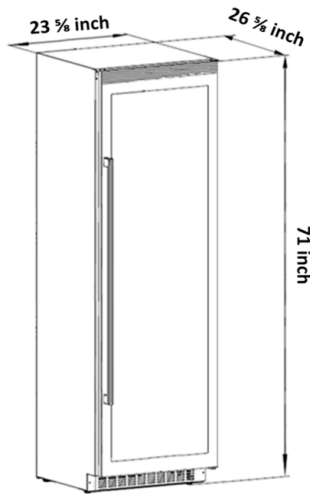


Features

- | | |
|--|--|
| Dual Temperature Zone Design | 40°F - 65°F / 40°F - 65°F |
| Stainless Steel Door and Handle | White LED Interior Lights With Switch |
| Twelve (12) Chromed Metal Wine Racks | Blue LED Temperature Display (°C / °F) |
| Built-In or Freestanding Application | Blue LED Touch Pad Digital Control Readout |
| Tempered/Smoked Double Pane Glass Door | |

Specifications

- | | |
|--|-----------------------------------|
| Model: JC-116A2EQ | Compressor-Powered Cooling |
| Brand: Thor Kitchen | Two (2) Interior Fans |
| Capacity: 36 Bottle | Refrigerant: R134a |
| Input Voltage: 115V/60Hz | 100% HFC Free & FCKW (CFC) Free |
| Product Weight: 121 lbs. | Energy Efficient Design |
| CE, ETL, CB, RoHS Certified | Warranty: 2 Year Limited Warranty |
| Product Dimension (W x D x H) (in): 23 1/2" x 22 1/2" x 32 5/16" | |



JC-428B2EQ

Dual Zone 156 Bottle Wine Cooler



Features

- | | |
|---|--|
| Dual Temperature Zone Design | 40°F - 65°F / 40°F - 65°F |
| Reversible Door | White LED Interior Lights with Switch |
| 15 Roll-Out Wooden Racks With Aluminum Trim | Blue LED Temperature Display |
| Built-In or Freestanding Application | Blue LED Touch Pad Digital Control Readout |
| Tempered/Smoked Double Pane Glass Door | Stainless steel door and handle |
| Built-In Lock For Extra Security | |

Specifications

- | | |
|---|-----------------------------------|
| Model: JC-428B2EQ | Compressor-Powered Cooling |
| Brand: Thor Kitchen | Two (2) Interior Fans |
| Capacity: 156 Bottle | Refrigerant: R134a |
| Input Voltage: 115V/60Hz | 100% HFC & FCKW (CFC) Free |
| Weight: 231 lbs. | Energy Efficient Design |
| CE, ETL, CB, RoHS Certified | Warranty: 2 Year Limited Warranty |
| Product Dimension (W x D x H) (in): 23 5/8" x 26 5/8" x 71" | |

LRG3001U

30-Inch Professional Stainless Steel Gas Range

GAS RANGES 17



FEATURES

- Black Porcelain Drip Pan On Cook Top
- Black Porcelain Oven Interior
- Heavy Duty Continuous Cast Iron Cooking Grates
- Convection Fan
- Two (2) Halogen Oven Interior Lights
- Thermostatically Controlled Oven Heating System
- CSA Certified ABS Black Control Knobs

BURNER PERFORMANCE

| | |
|-----------------------------------|-----------|
| Total Number of Range Top Burners | 5 Burners |
| Left Front | 18,000 |
| Left Rear | 4,000 |
| Center (Oval) | 9,000 |
| Right Front | 8,000 |
| Right Rear | 6,000 |

OVEN PERFORMANCE

| | |
|-----------------------|--------------|
| Oven Capacity | 4.55 Cu. Ft. |
| Tube Stove Burner BTU | 18,000 |
| Oven Broil Burner BTU | 10,000 |

TECHNICAL DETAILS

| | |
|-------------------------|----------------------------------|
| Fuel Type | Natural Gas / LP (See Accessory) |
| Electrical Requirements | 120V |
| Circuit Breaker (A) | 15 or 20 A |
| Frequency (Hz) | 60 Hz |

DIMENSION & WEIGHT

| | |
|---------------------------------------|-------------------------------------|
| Product Dimension (W x D x H) (in) | 30" x 26" x 35 1/2" |
| Required Cutout Size (W x D x H) (in) | 30 1/8" x 24"-25" x 35 1/2"-36 1/2" |
| Product Net Weight | 200 lbs. |

ACCESSORIES (NOT INCLUDED)

- Liquid Propane Gas Conversion Kit
- High Altitude Conversion Kits for LP/Natural Gas

WARRANTY

2 Year Warranty On Parts and Labor

HRF3601F

36 in. 4 Door Counter Depth French Door Freestanding Refrigerator with Automatic Ice Maker

**CAPACITY**

| | |
|-----------------------------|---------------|
| Total Unit Gross Capacity | 20.85 cu. ft. |
| Refrigerator Gross Capacity | 15.16 cu. ft. |
| Freezer Gross Capacity | 5.69 cu. ft. |

FEATURES

Counter Depth French Door
 2-Drawer Freezer Provides Better Organization
 A Full-Width Chiller Drawer Provides Flexible Storage
 Retractable Shelf Designed To Fit Taller Items With Ease
 Dual Cycle and Dual Air-Cooled Refrigeration System
 2 Large Humidity Controlled Fresh Food Drawers
 Automatic Ice-Maker

TECHNICAL DETAILS

| | |
|---------------------|-----------------|
| Rated Current (A) | 2.7 A |
| Defrost Current (A) | 3.5 A |
| Volts (V) | 115 V |
| Frequency (Hz) | 60 Hz |
| Plug Type | 120V-3 Prong |
| Refrigerant | R134a, 6.35 oz. |

REFRIGERATOR

| | |
|-----------------------------------|---------------------|
| Lighting | High-Efficiency LED |
| Number of Shelves - Refrigerator | 5 |
| Adjustable Shelves - Refrigerator | 4 Half-Width |
| Shelf Material - Refrigerator | Tempered Glass |
| Type of Shelves - Refrigerator | Tempered Glass |
| Gallon Storage Bins | 4 |
| Humidity Control Drawer | 2 |
| Defrost Process Freezer | Automatic |
| Defrost Process Refrigerator | Frost-Free |
| Ice Maker | Yes |
| Water Filter | Yes |

Warranty

2 year warranty on parts and labor

