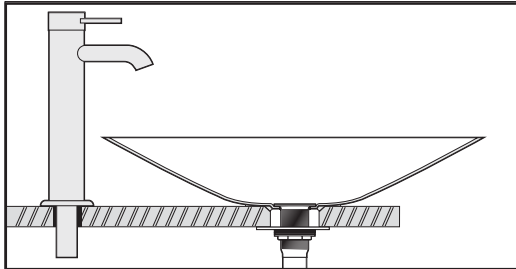


# INSTALLATION INSTRUCTIONS

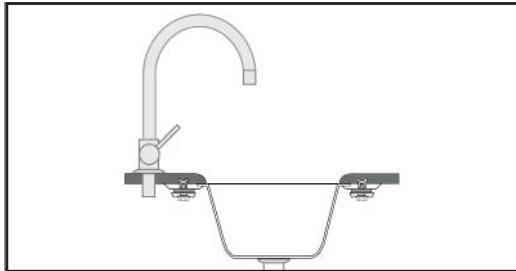
**Caution:** All installation types need to allow room for faucet installation. Ensure adequate clearance behind the basin for your faucet and backsplash, as well as the full range of motion for faucet handles and spouts.

All Thompson Traders basins, especially under mount and apron front installations, should be installed by professional installers.

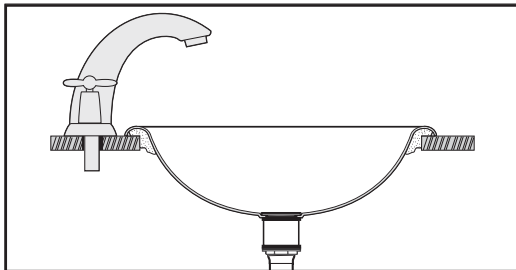
## BATH SINKS



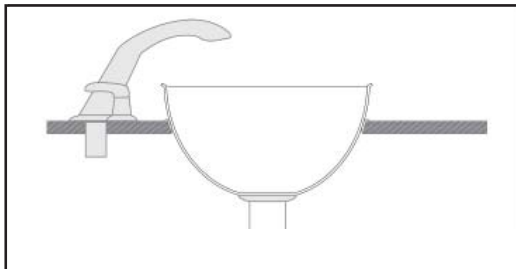
VESSEL MOUNT SINKS.....P. 2-3



UNDER MOUNT SINKS.....P. 4-5



DROP-IN SINKS.....P. 6-10



PARTIAL MOUNT SINKS.....P. 11

## KITCHEN SINKS

Undermount Kitchen Sinks.....P. 12

Drop-In Kitchen Sinks .....P. 13

Apron Front Kitchen Sinks.....P. 14

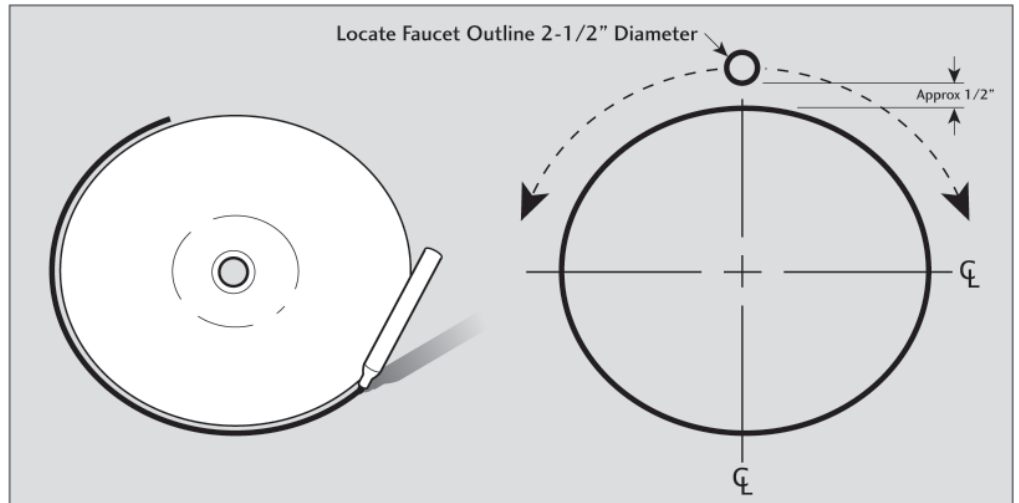
## BATH VESSEL

**Caution:** All installation types need to allow room for faucet installation. Ensure adequate clearance behind the basin for your faucet and backsplash, as well as the full range of motion for faucet handles and spouts.

All Thompson Traders basins, especially under mount and apron front installations, should be installed by professional installers.

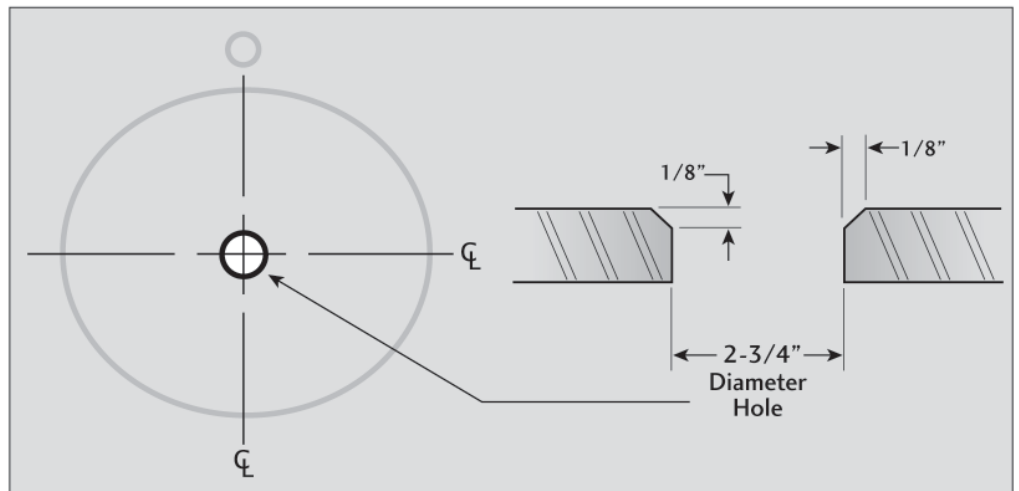
### STEP 1

- Turn basin upside down and locate in position on countertop
- Trace basin outline
- Outline faucet position to ensure necessary clearance



### STEP 2

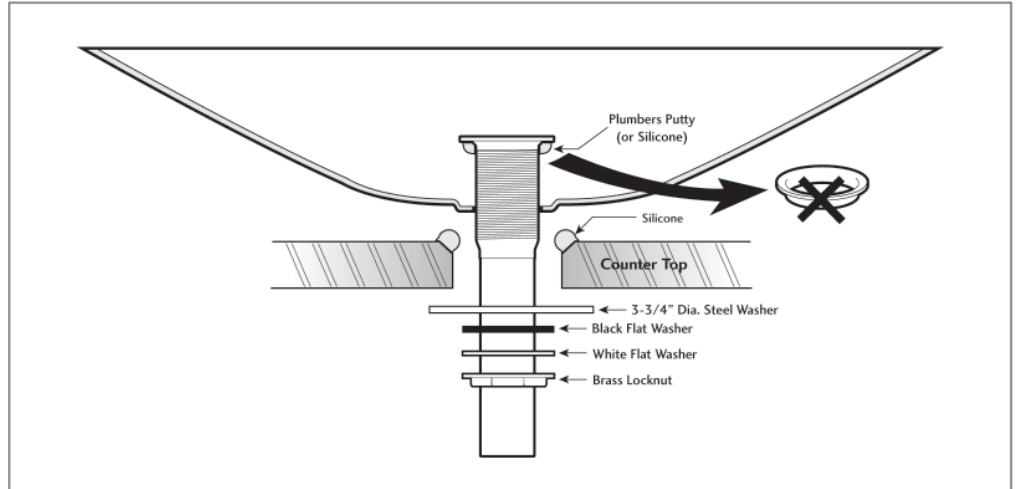
- Find centre of basin outline
- Drill 2 3/4" diameter hole
- Chamfer top edge 1/8"



## BATH VESSEL

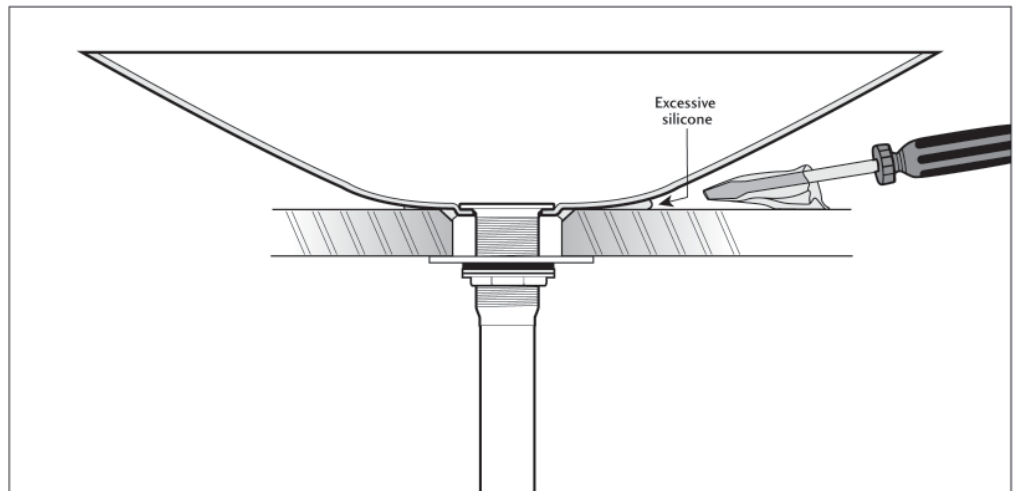
### STEP 3

- Apply silicone bead to top chamfer
- Mount sink to countertop using waste fitting (supplied)



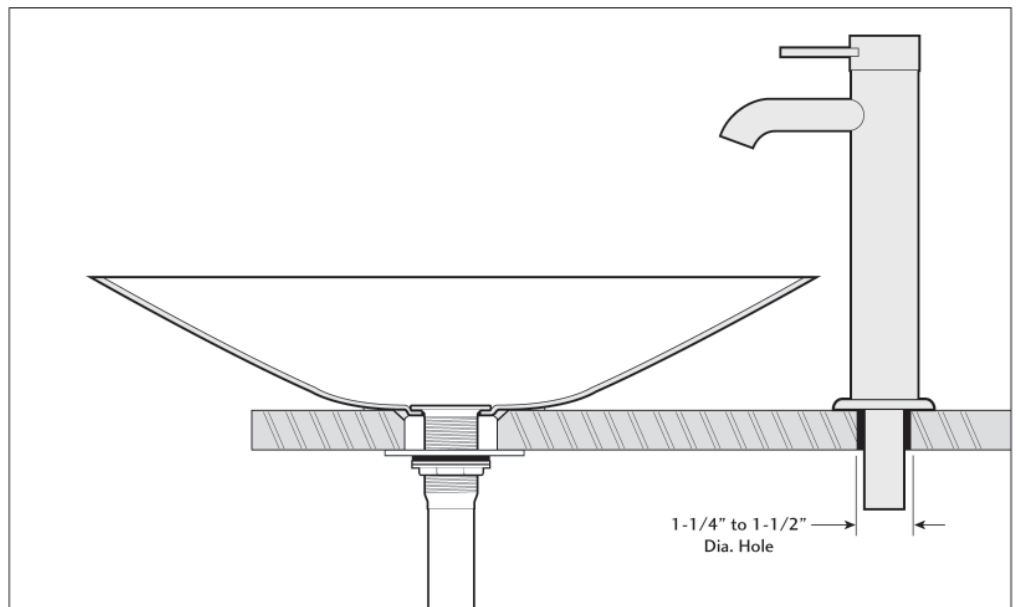
### STEP 4

- Clean up silicone



### STEP 5

- Verify faucet position and adjust if necessary
- Drill 1 1/4" to 1 1/2" diameter hole
- Mount faucet



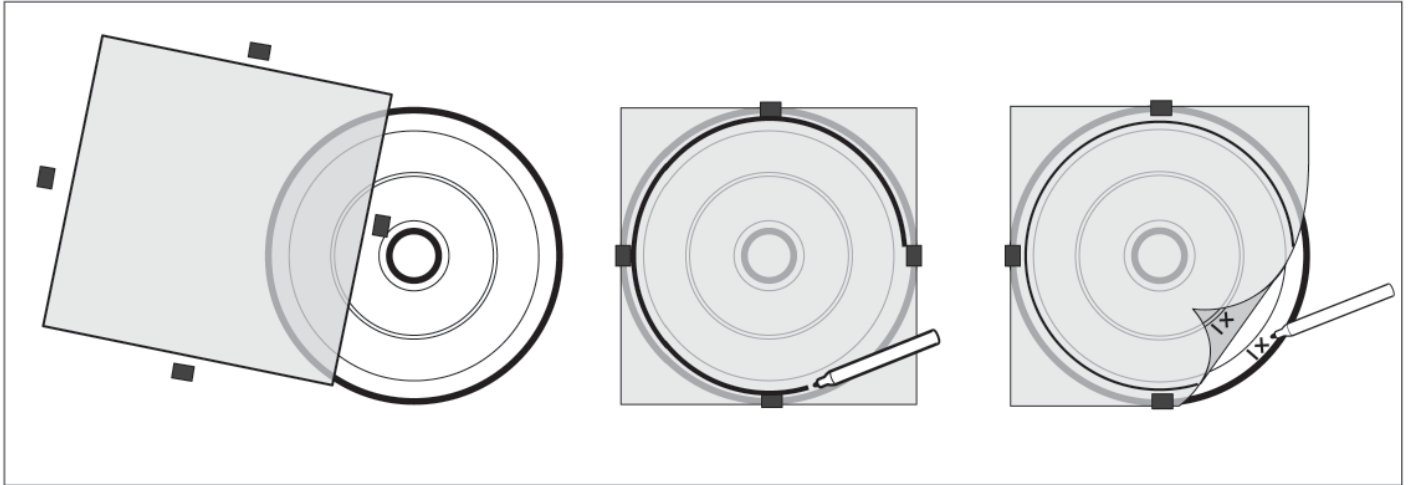
## BATH UNDERMOUNT

**Caution:** All installation types need to allow room for faucet installation. Ensure adequate clearance behind the basin for your faucet and backsplash, as well as the full range of motion for faucet handles and spouts.

All Thompson Traders basins, especially under mount and apron front installations, should be installed by professional installers.

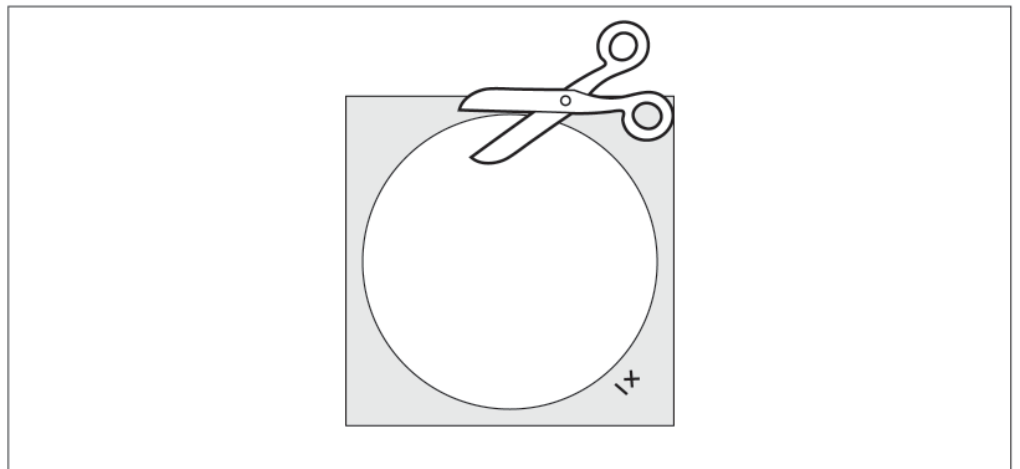
### STEP 1

- Tape or clip clear acetate supplied to the sink rim
- Trace bowl opening onto acetate at desired offset
- Mark location of sink rim and acetate cut-out for future reference



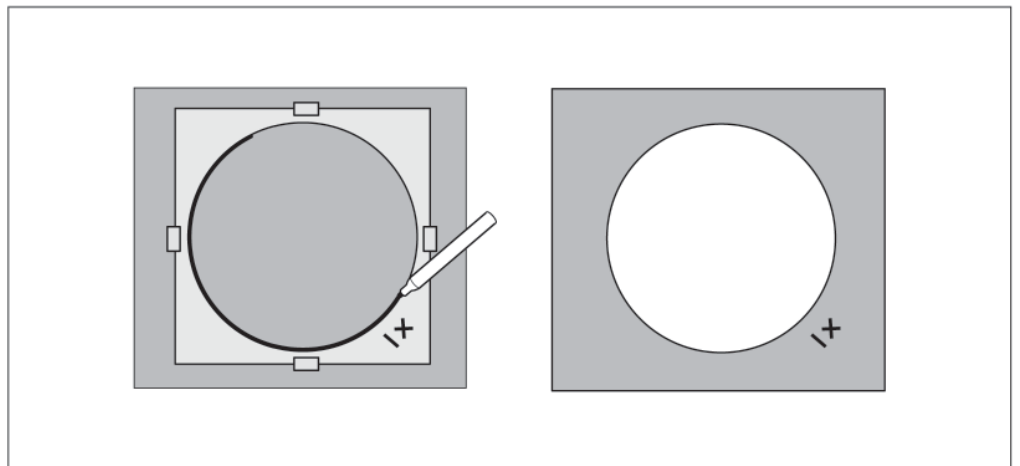
### STEP 2

- Cut-out centre portion of acetate



### STEP 3

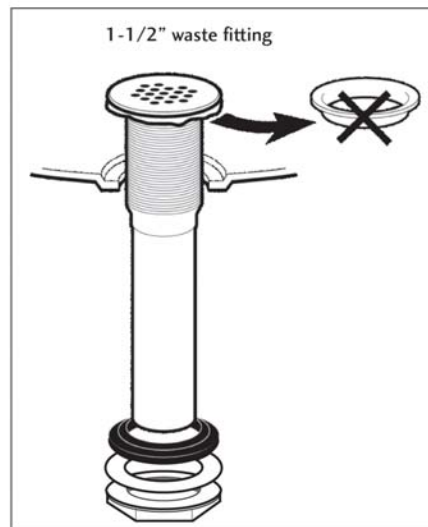
- Transfer cut-out outline from acetate to countertop
- Use template to cut-out countertop



## BATH UNDERMOUNT

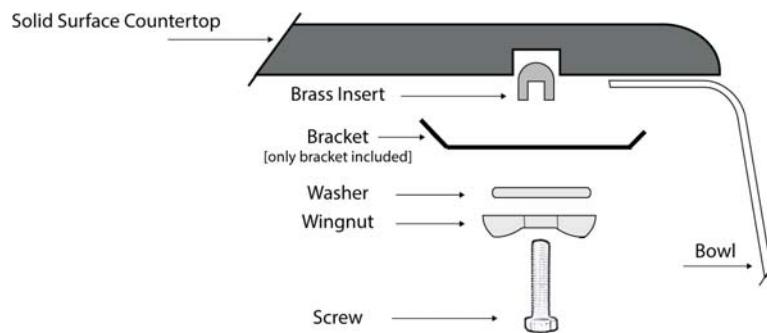
### STEP 4

- Assemble waste fitting to basin
- Use silicone, or plumbers putty to seal between waste fitting and inside of basin
- Image shown is for drain with no overflow



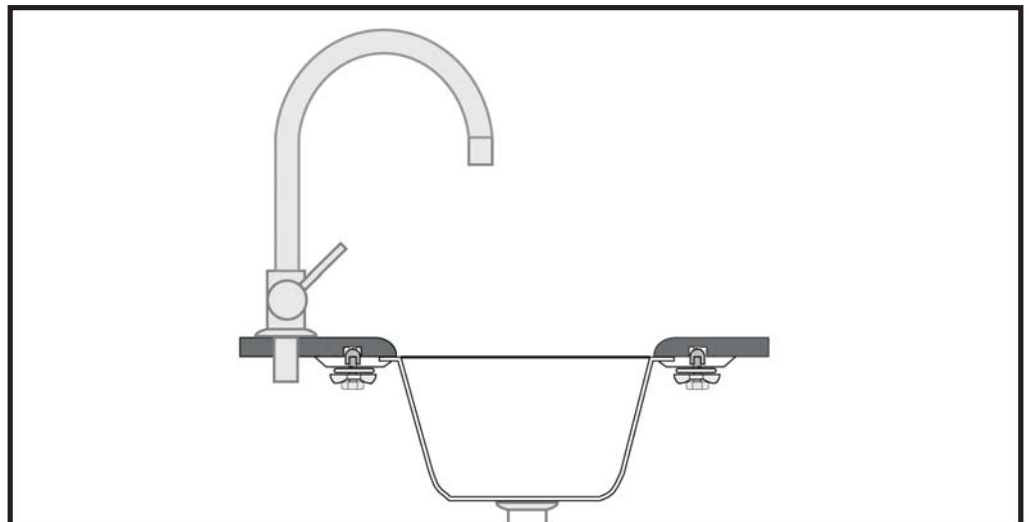
### STEP 5

- Mount sink to countertop
- Image is one way to install clips, there are other ways. Please consult a professional installer for recommendations



### STEP 6

- Remove excess silicone from sink-countertop joint
- Mount faucet to countertop



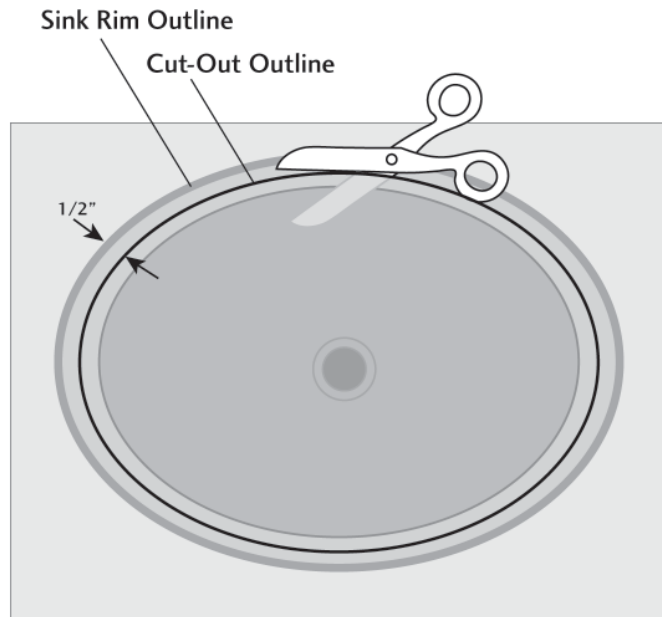
## BATH DROP - IN

**Caution:** All installation types need to allow room for faucet installation. Ensure adequate clearance behind the basin for your faucet and backsplash, as well as the full range of motion for faucet handles and spouts.

All Thompson Traders basins, especially under mount and apron front installations, should be installed by professional installers.

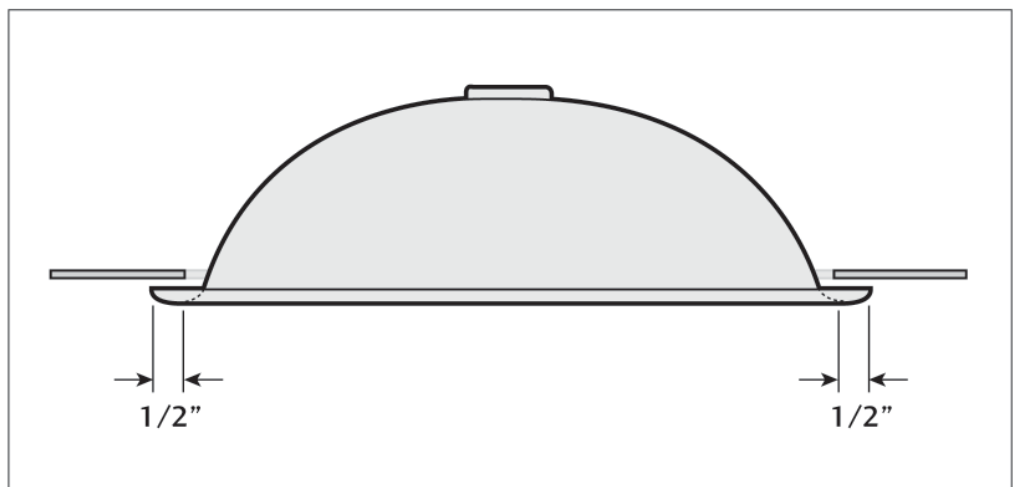
### STEP 1

- Cut out center of cardstock



### STEP 2

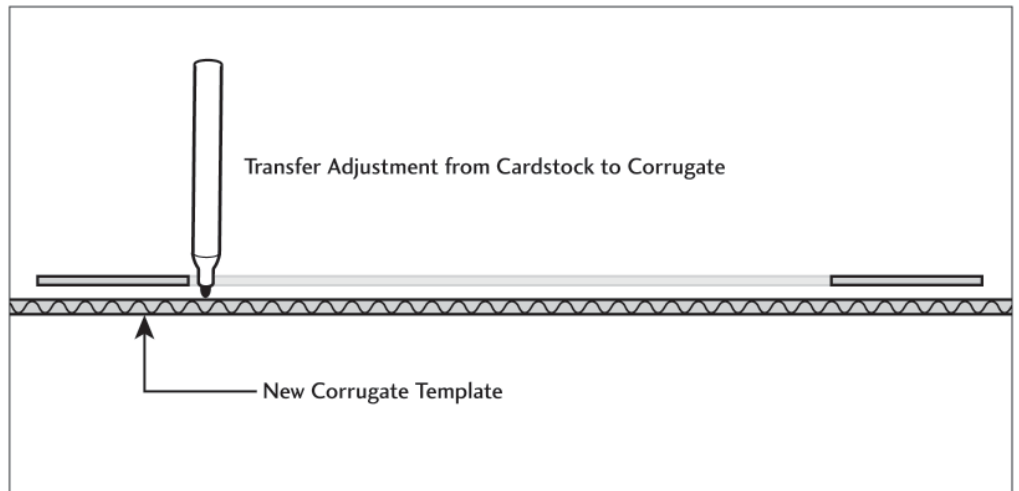
- Check fit of template to sink
- There should be approximately 1/2" of countertop underneath the periphery of the sink rim



## BATH DROP - IN

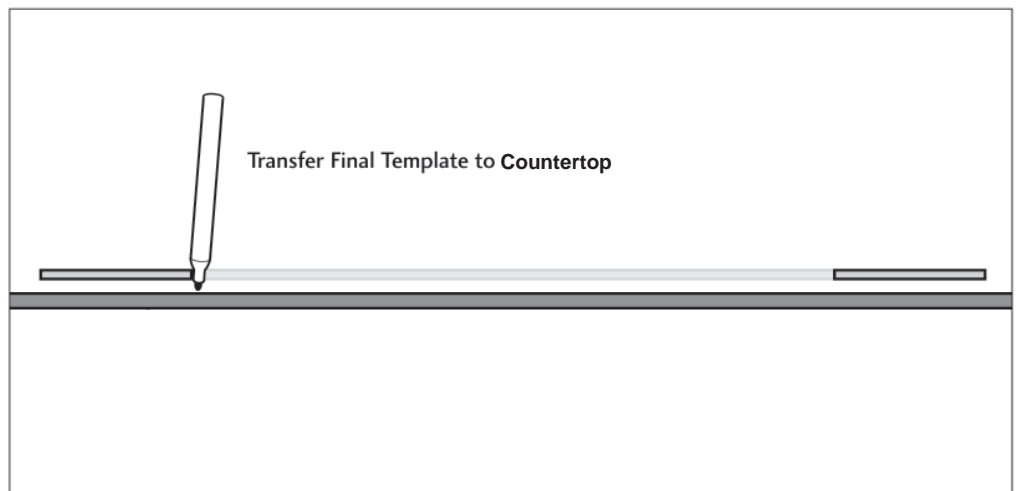
### STEP 3

- If necessary make adjustment with 2nd template



### STEP 4

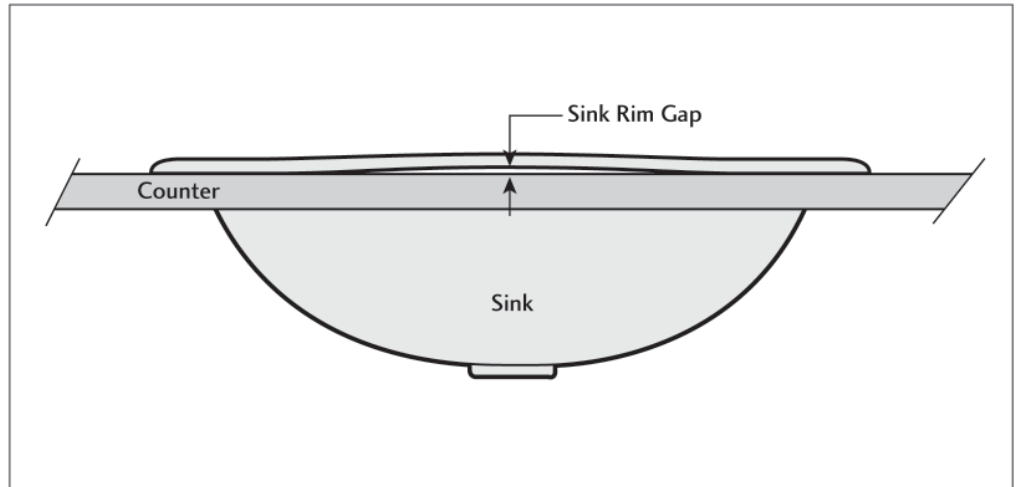
- Transfer outline from cardstock (or corrugate) to countertop



## BATH DROP - IN

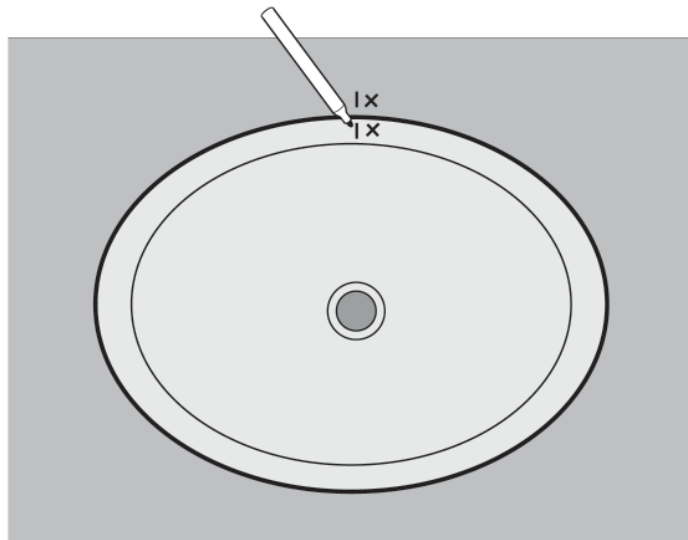
### STEP 5

- Position sink in cut out
- Check for gap around the sink rim



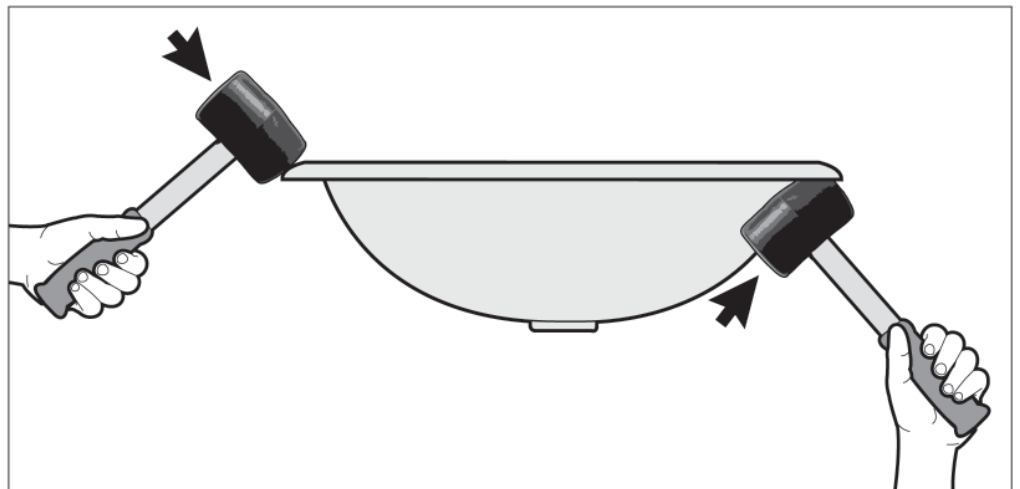
### STEP 6

- Mark location of sink rim & countertop as reference so that the fit of the sink is always checked in the same location



### STEP 7

- Gently tap sink rim to eliminate gap
- Check fit to countertop
- Repeat operation as necessary

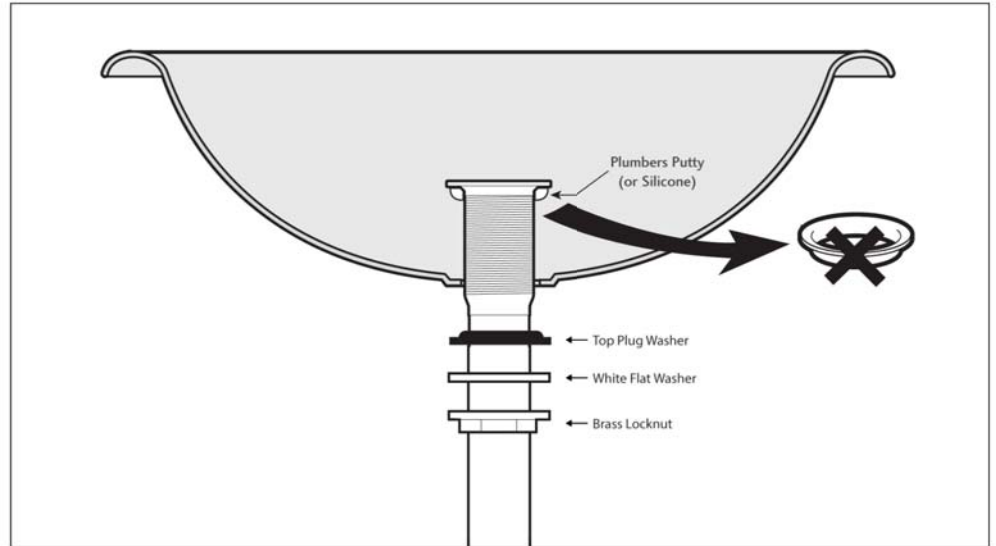




## BATH DROP - IN

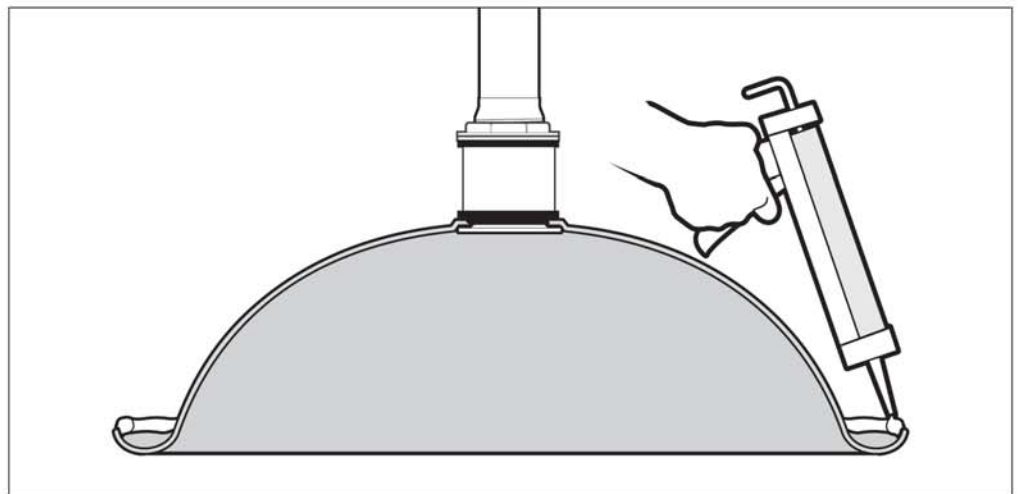
### STEP 8

- Assemble waste fitting to basin



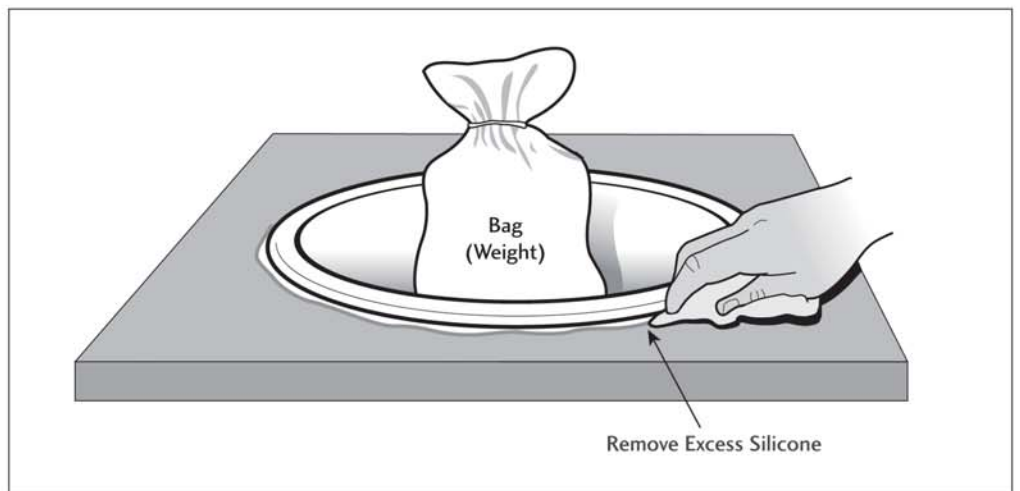
### STEP 9

- Apply silicone to underside edge of sink rim



### STEP 10

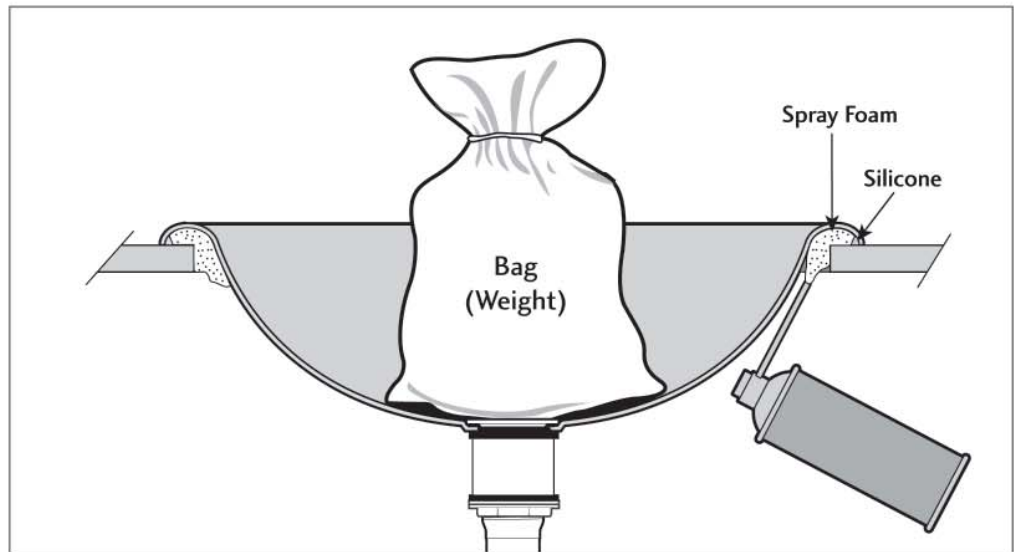
- Position sink in cut out
- Hold sink in place with weight in basin
- Clean up silicone



## BATH DROP - IN

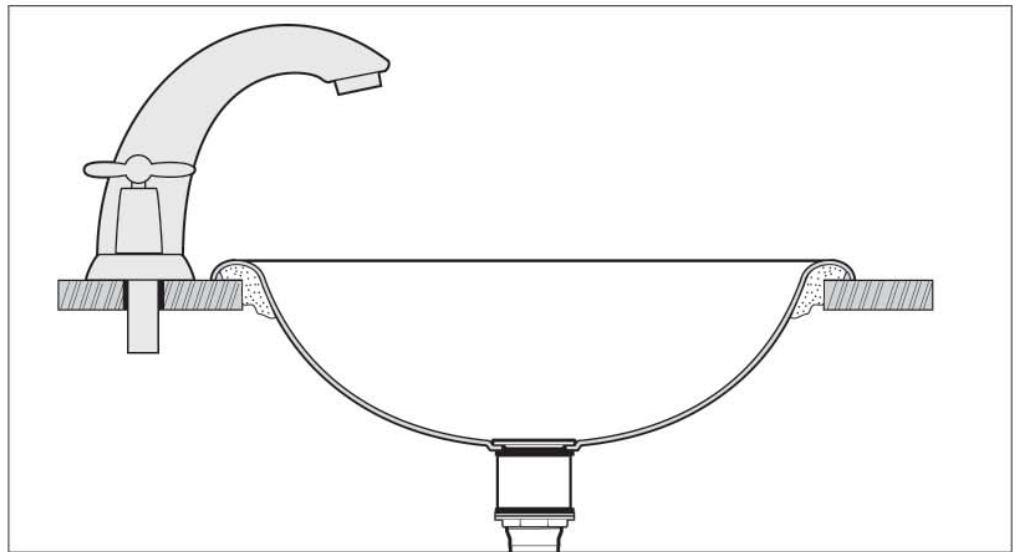
### STEP 11

- Apply Great Stuff® polyurethane foam sealant to fill the gap between the sink and the countertop



### STEP 12

- Mount faucet



\*\*\*\*\***WARNING**\*\*\*\*\*

This mounting style requires significant manual skills and precision execution for good appearance. For best results it is highly recommended that a professional installer is used.

\*\*\*\*\*

- Make a template out of heavy paper or card board that fits as you wish the sink to fit the counter top - This must be a precision template
- Use the template to mark the counter top
- Cut the countertop splitting the line
- Clean the counter top and sink with paint thinner or acetone at the contact points  
**ENSURE THAT NO PAINT THINNER OR ACETONE ENTERS THE SINK BASIN.**
- Apply silicone around the sink where it meets the counter top.
- Place a towel in the bottom of the sink basin. On top of the towel place a 5 gal bucket full of water or equivalent weight
- Clean excess silicone
- Let sit for a **MINIMUM** of 12 hours.
- Install the drain according to the drain's installation instructions

## KITCHEN UNDERMOUNT

### General Installation Notes:

- Observe and conform to all local building and plumbing codes.
- All of our basins should be installed by professional installers.
- As our basins are hand crafted and dimensions are approximate, we HIGHLY recommend using the actual basin for the cut-out.
- Different countertop materials will require different methods of cutting and may have other specific needs such as exposed areas of wood that may need waterproofing for undermounting.
- All installation types need to allow room for faucet installation. Ensure adequate clearance behind the basin for your faucet and backsplash, as well as the full range of motion for faucet handles and spouts.
- Use 100% Silicone (non-water based) for all installations.
- Make sure a watertight seal exists on all drain connections.
- DO NOT place basin directly on floor. After unpacking, place basin on protective material such as foam molds or card board from the packaging.
- Remember to always use non-abrasive cleaners on our basins. Mild soap and water is recommended. Refer to Care and Maintenance Instructions for further information.
- If unsure which instructions pertain to your product call our Customer Service Group at 336-272-3003.

### Installation:

- Step 1.** Use actual basin as your template. Place it upside down on countertop and mark countertop by tracing edge of basin. Be sure to allow clearance for faucet and other accessories or fixtures.
- Step 2.** Measure inside edge of lip and mark countertop accordingly, inside of the first line.
- Step 3.** Cut countertop on inside line.
- Step 4.** Apply silicone around hole in underside of countertop and position basin.
- Step 5.** Use a level to make sure that basin is sitting level in all directions, front to back and side to side; while pressing down to seal.
- Step 6.** For undermounting, mounting clip fasteners may be used to secure basin under countertop.
- Step 7.** Carefully remove any excess silicone.
- Step 8.** Install the drain according to the drain's installation instructions.

When cleaning up after installations, **DO NOT USE ABRASIVE CLEANER**, as they may scratch and change the basin surface and finish. Use warm water, a soft cloth and a non-abrasive soap (such as dish soap) to clean the surface.

Refer to Care and Maintenance Instructions for further information.

\*\*\*\*\*

## This option is for sinks without attached hold down clips

\*\*\*\*\*

### General Installation Notes:

- Observe and conform to all local building & plumbing codes
- All Thompson Traders basins, especially under mount and apron front installations, should be installed by professional installers
- Our basins are hand crafted and dimensions are approximate, we recommend using the actual basin for the cutout.
- Different countertop materials will require different methods of cutting and may have other specific needs such as exposed areas of wood that may need waterproofing.
- Make sure a watertight seal exists on all drain connections.
- DO NOT place basin directly on floor. After unpacking, place basin on protective material such as foam molds from the packaging.
- Remember to always use NON-ABRASIVE cleaners on Thompson Traders basins. Mild soap and water is recommended.

### Installation:

- Step 1. Make a template and cutout using the actual basin. To make the template place the basin upside down on countertop and mark countertop by tracing the INSIDE EDGE of the basin by placing arm through the drain hole.  
Be sure to allow clearance for faucet and other accessory fixtures
- Step 2. Add a second line that is 3/8 inch OUTSIDE of the line made in Step 1
- Step 3. Cut countertop on outside line. Test the fit of the sink. If the flange does not sit level the opening may need to be slightly enlarged.  
(KEEP IN MIND THAT THIS IS A HAND MADE PRODUCT SO DIMENSIONS WILL VARY SLIGHTLY).
- Step 4. Clean countertop and underside of flange with paint thinner or acetone to remove all traces of oil or finger prints.
- Step 5. Apply 100% clear silicone to flange and position sink.
- Step 6. Place folded towel in sink basin and place a 5 gallon bucket full of water on top of towel.
- Step 7. Carefully remove excess silicone.
- Step 8. Wait 12 hours for silicone to cure
- Step 9. Install drain according to drain's installation instructions.

When cleaning up after installations DO NOT USE ABRASIVE CLEANER AS THEY MAY SCRATCH AND CHANGE THE SURFACE FINISH. Use warm water and non-abrasive soap to clean the surface.

## KITCHEN APRON FRONT

**Caution:** All installation types need to allow room for faucet installation. Ensure adequate clearance behind the basin for your faucet and backsplash, as well as the full range of motion for faucet handles and spouts.

All Thompson Traders basins, especially under mount and apron front installations, should be installed by professional installers.

### General Installation Notes:

- Observe and conform to all local building and plumbing codes.
- May require special cabinet with 10" free drawer from top of cabinet to top of door
- All Thompson Traders basins, especially under mount and apron front installations, should be installed by professional installers.
- Our basins are hand crafted and dimensions are approximate, we recommend using the actual basin for the cutout.
- Different countertop materials will require different methods of cutting and may have other specific needs such as exposed areas of wood that may need waterproofing.
- Make sure a watertight seal exists on all drain connections.
- DO NOT place basin directly on floor. After unpacking, place basin on protective material such as foam molds from the packaging.
- Remember to always use non-abrasive cleaners on Thompson Traders basins. Mild soap and water is recommended.

### Undermount Installation -- Flushmount Installation

#### Installation:

**Step 1.** Make a template and cutout by turning the basin upside down on the countertop.

Mark the countertop by tracing the **INSIDE EDGE** of the basin by placing arm through the drain hole.

**Step 2.** We recommend a ¼" reveal on 3 sides when using the under mount style. For flush or built-up mount cut countertop along the outside line of basin profile. Apron fronts are designed to be installed ¾" extended out beyond the front end of countertop.

**Step 3.** Templates are not provided due to the hand crafted nature of our basins and installation application chosen. Use the actual basin being installed for proper measurements.

**Step 4.** After centering the basin and allowing for faucets, handles and backsplashes, use a pencil to outline the basin as your guide for the cut-out, allowing for any reveal (if needed) before the actual cutting.

**Step 5.** Depending on the installation type, make proper cut-out in the countertop.

**Step 6.** Place the basin

**Step 7.** Place the basin on top of cabinet or into the cabinet front cut-out.

**Step 8.** Apply silicone as a gasket between sink and cabinet.

**Step 9.** Install countertop

**Step 10.** Apply a bead of silicone around top edge of basin. Place countertop around the basin. Make sure that it is centered properly. Remove any excess silicone from the lip or any surfaces.

**Step 11.** Install the drain according to the drain's installation instructions.

When cleaning up after installations, **DO NOT USE ABRASIVE CLEANERS**, as they may scratch and change the basin surface and finish. Use warm water, a soft cloth and a non-abrasive soap (such as dish soap) to clean the surface.

**\*\*Typical under mount installation with ¼" reveal recommended.\*\***