



INSTALLATION GUIDE

KITCHEN SINKS

Tools and Materials

- Tape Measure
- Safety Glasses
- Saw
- Construction Adhesive
- Suitable Support Framing Material [3/4" (1.9 cm) Max Thickness]
- Screws

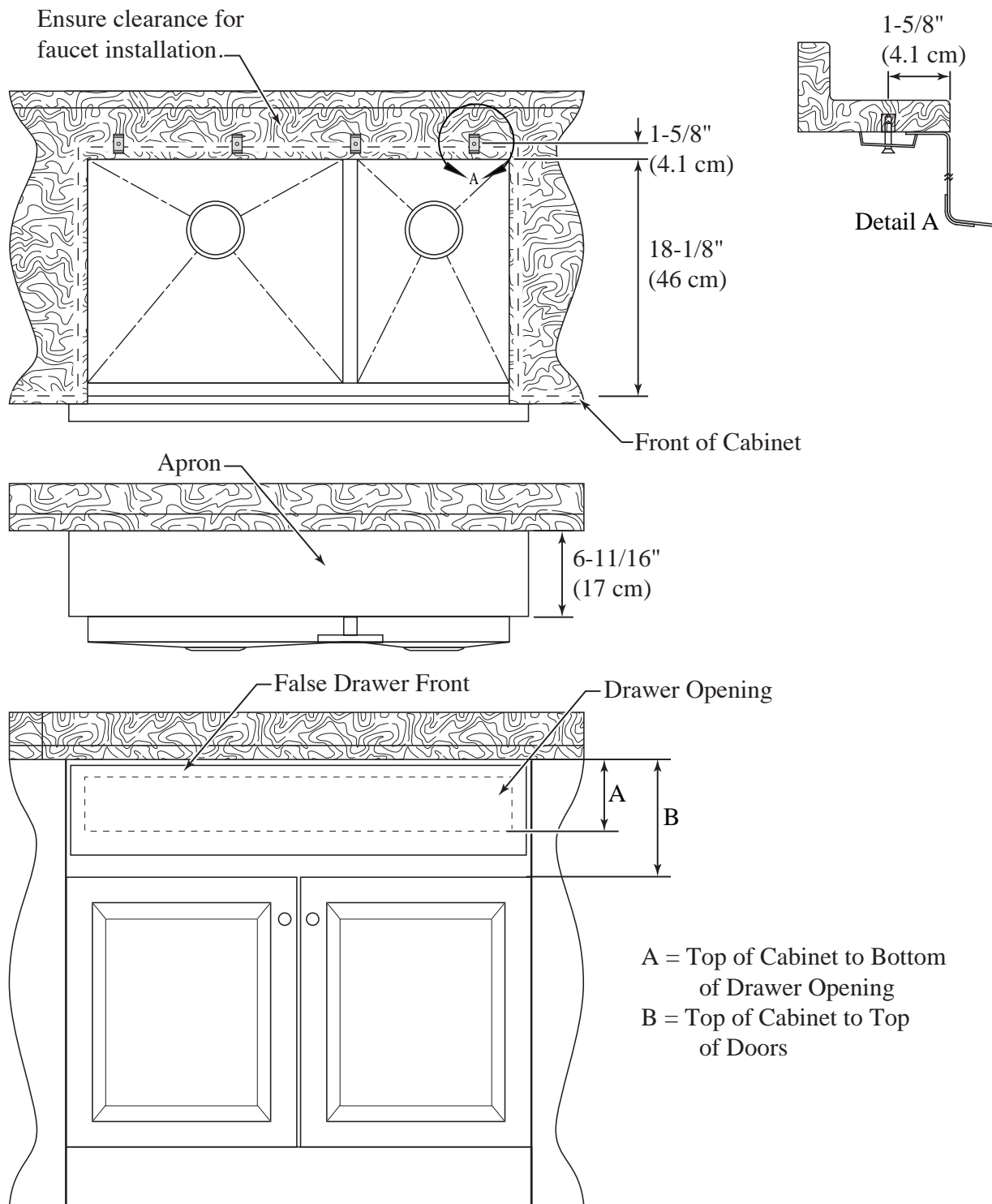
Important Information

IMPORTANT! Before beginning this installation, refer to the "Roughing-In" section for cabinet dimensional requirements.

IMPORTANT! This sink must be installed prior to the installation of the countertop. Cut-line is based from the front face of the cabinet.

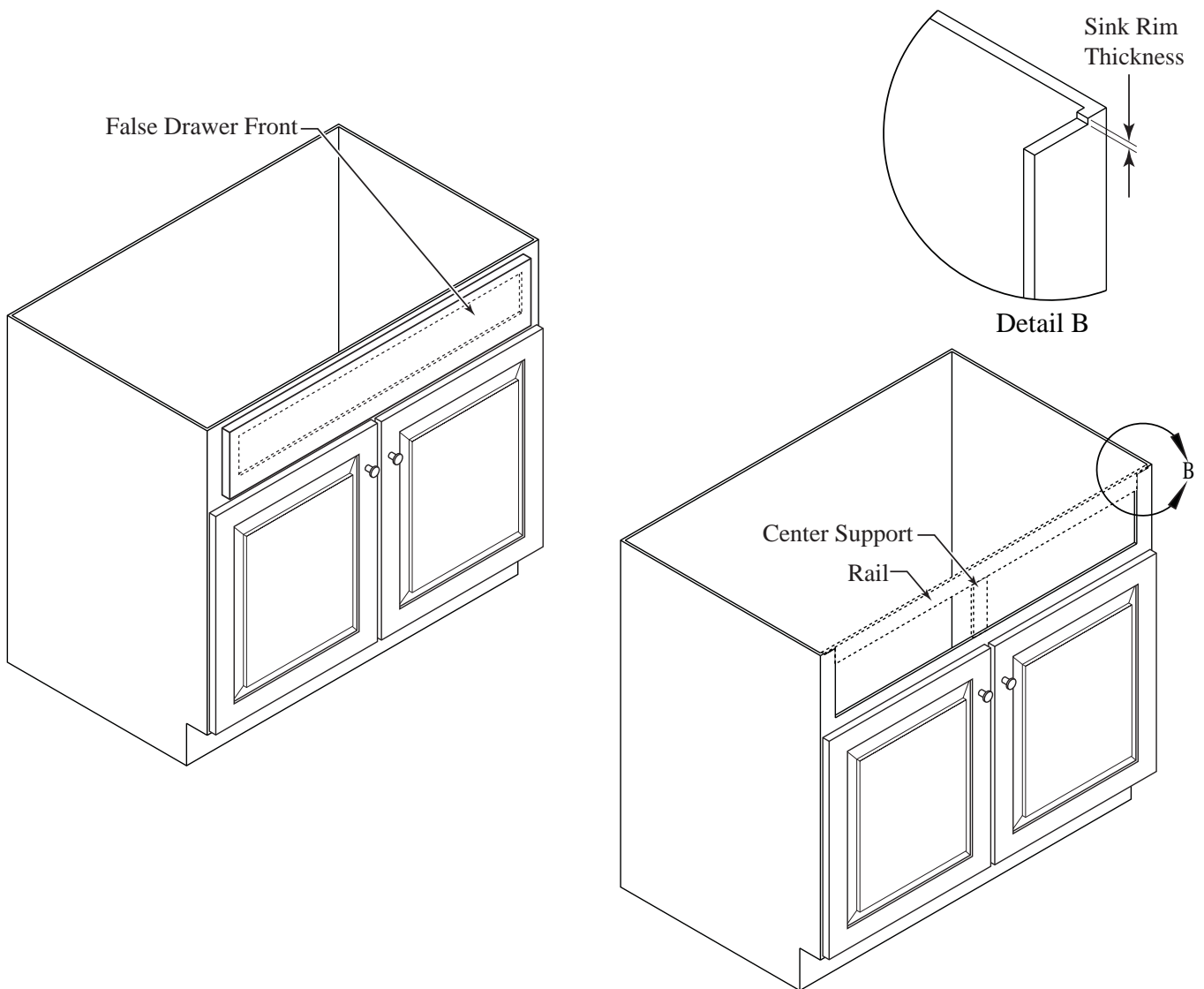
IMPORTANT! Long screws may damage adjacent cabinets. Ensure the screws are long enough to secure the support framing, but short enough not to extend through the inner walls of the adjacent cabinets.

- Due to the nature of undercounter installations, Thompson Traders Inc. recommends that undercounter sink installations be performed by trained and experienced installers.
- Use proper fasteners and techniques to ensure that the frame will support a minimum of 300 lbs (136 kg). Locate the fasteners for easy access in the event the sink needs to be removed.
- Plan the sink installation so future removal from underneath the countertop is possible without damaging the countertop. Do not use adhesive sealants.
- This sink is intended for installation into a standard 36" base cabinet.
- For ease of installation, install the strainer assemblies to the sink prior to installing the sink.
- Inspect the drain and supply tubing; replace if necessary.
- Anchors and fasteners to be provided and installed by the countertop manufacturer.
- Observe all local plumbing and building codes.



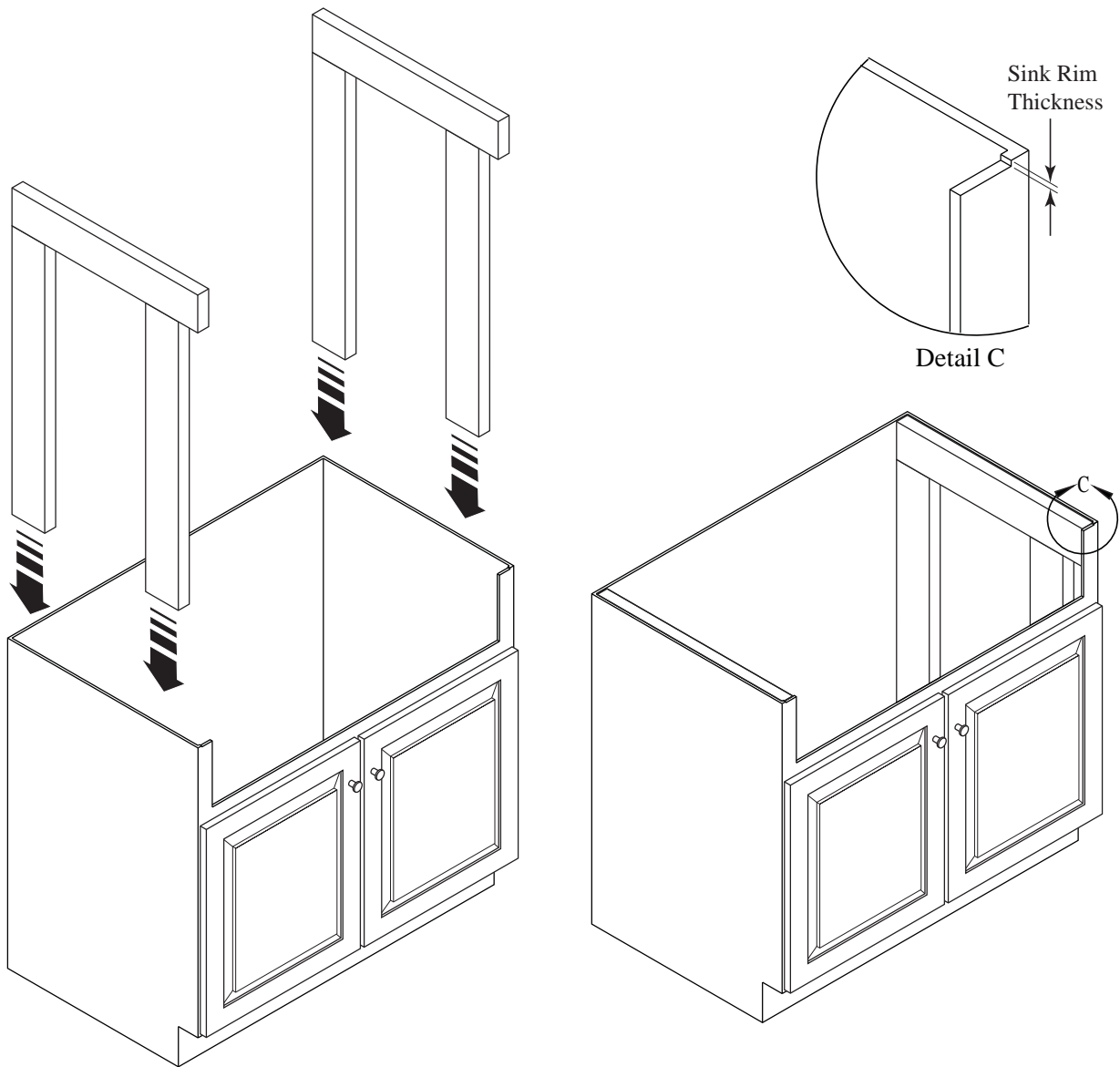
IMPORTANT! Before installing this sink, verify the opening height (A) is less than the apron height and the distance to the top of the doors (B) is greater than the apron height.

Rough-In



Preparation

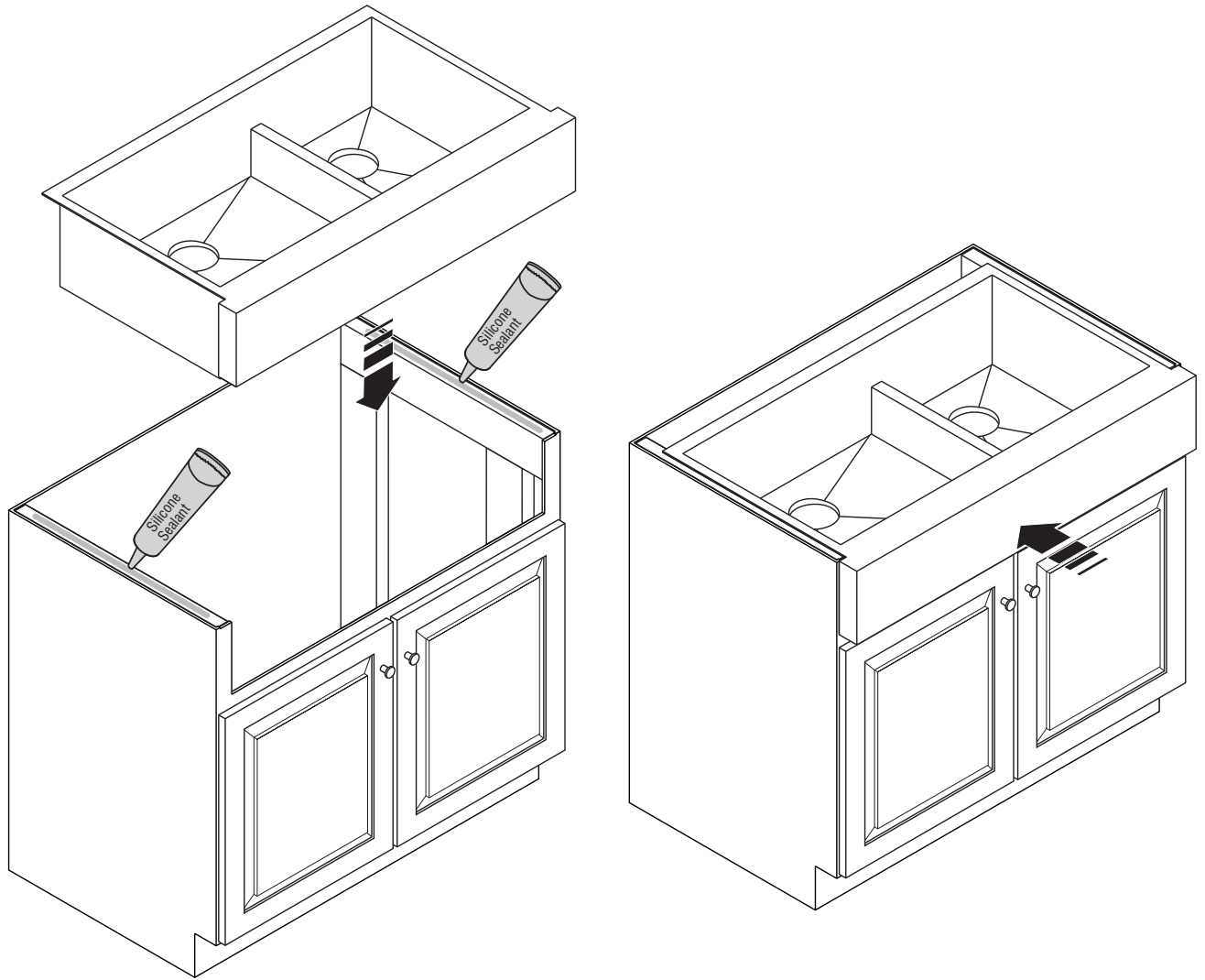
- Remove the false drawer front from your cabinet.
- Carefully cut away the top rail and center support.
- Notch the cabinet as shown to accommodate the thickness of the sink rim. Top of sink should be flush with the top of the cabinet when installed.



Install Wood Supports

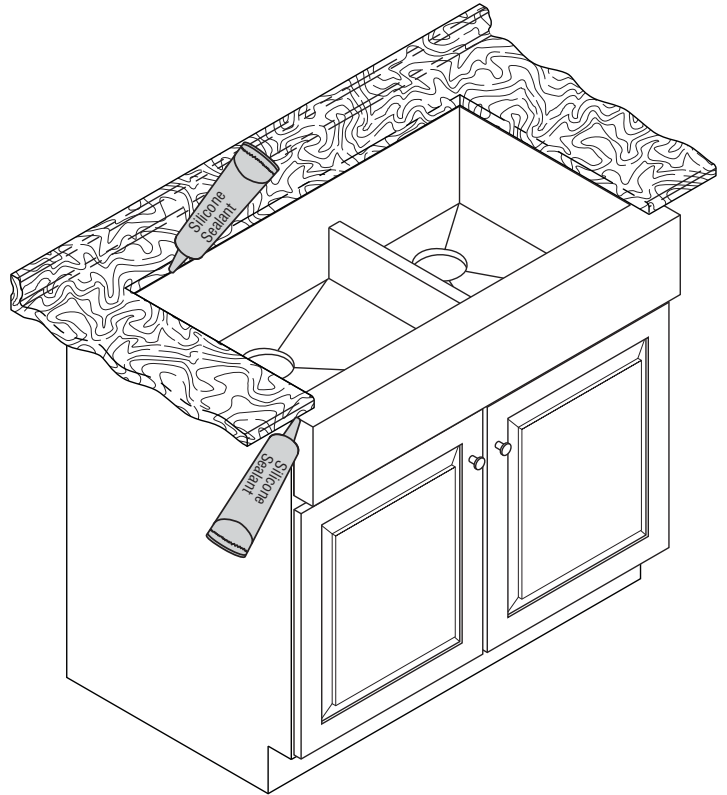
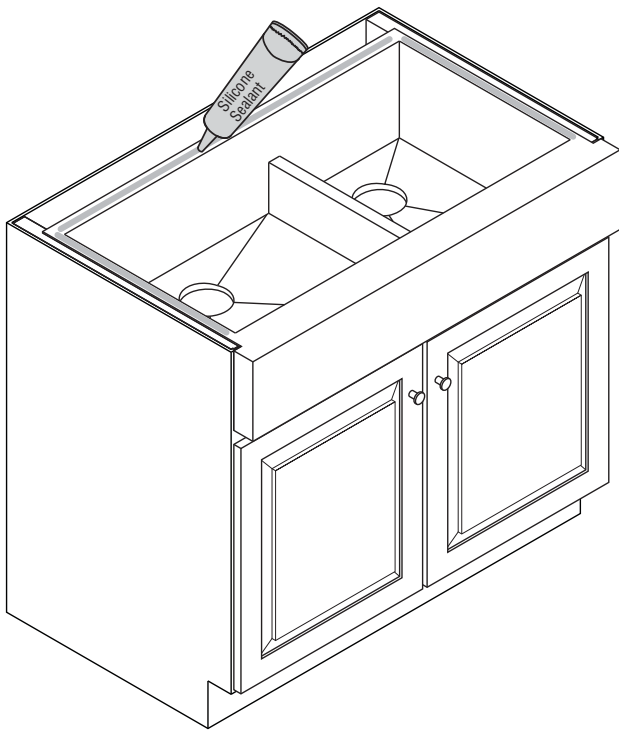
NOTICE: For proper countertop installation, the top of the sink must not extend above the top edge of the cabinet.

- Cut two lengths of support framing to extend along the inside walls on each side of the base cabinet.
- Measure and mark the support mounting locations; ensuring the sink rim will sit at, or slightly below the top edge of the cabinet.
- Position and level the supports.
- Secure the supports with construction adhesive and screws (not provided).
- Cut four lengths of support framing to extend from the bottom of the installed supports to the floor of the cabinet.
- Secure the vertical supports with construction adhesive and screws (not provided).



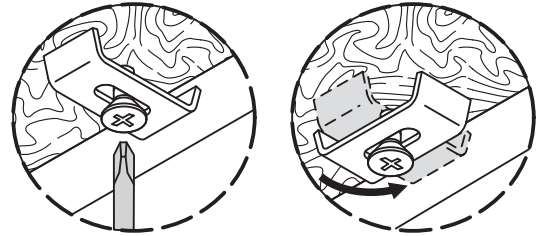
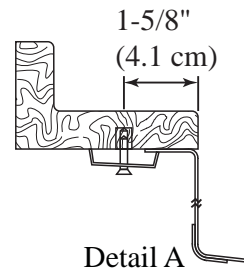
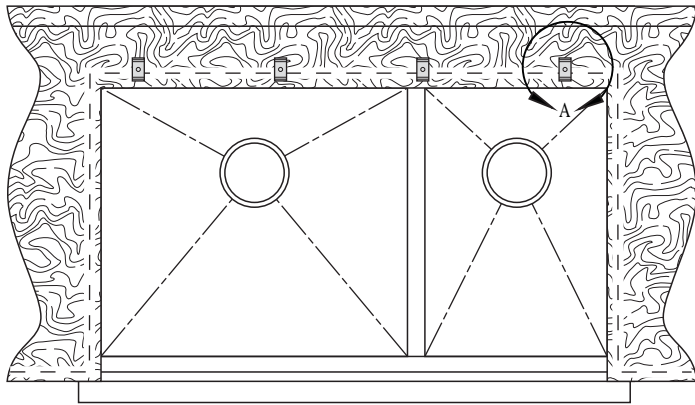
Install the Sink

- Lower the sink into the cabinet. Verify the sink is supported by the frame.
- Verify the sink is level, make any adjustments and shim as needed.
- Remove the sink.
- Apply a bead of sealant to the top of each support.
- Lower the sink onto the supports and push in to ensure the apron is flush to the front of the cabinet.



Install the Countertop

- Apply a bead of silicone sealant around the side and back of the sink.
- Install the countertop
- Apply a thin bead of silicone sealant where the sink meets the countertop and cabinet.



Install the Countertop

NOTE: Anchors are pre-installed by the countertop manufacturer.

- Install the clips to the countertop, ensure each clip engages the rim.
- Tighten evenly.
- Wipe away any excess sealant.