



## ThermaSol Superduty Installation & Operating Instructions Commercial Steam Room Generators (Three Phase Only)

### CUSTOMER WARNINGS

- DO NOT USE THIS PRODUCT UNLESS YOU HAVE CONSULTED YOUR DOCTOR AND RECEIVED WRITTEN PERMISSION TO DO SO. USE OF THIS PRODUCT MAY BE HAZARDOUS TO YOUR HEALTH.
- STEAM IS HOT! DO NOT TOUCH OR GO NEAR THE STEAM HEAD FROM THE TIME THE UNIT IS "ON", UP TO ONE HOUR FROM THE TIME THE UNIT IS OFF. SEVERE BURN WILL OCCUR IF YOU COME IN CONTACT WITH THE STEAM HEAD OR STEAM EMITTING FROM THE STEAM HEAD.
- NEVER ATTEMPT TO FILL AROMA THERAPY RESERVOIR ON THE STEAM HEAD WHEN UNIT IS IN THE "ON" POSITION. SEVERE BURNS WILL OCCUR.
- DO NOT USE THERMASOL AROMA THERAPY OILS OR SKIN CARE PRODUCTS OR ANY PRODUCT IN CONJUNCTION WITH YOUR THERMASOL UNIT WITHOUT CONSULTING WITH YOUR ALLERGIST OR DOCTOR BEFORE USE. THESE PRODUCTS MAY BE HAZARDOUS TO YOUR HEALTH.
- YOUR SHOWER MAY BE A SLIP AND FALL HAZARD CHECK WITH YOUR CONTRACTOR OR TILE MANUFACTURER REGARDING THE SAFE USE OF YOUR FLOORING IN A STEAM APPLICATION. SLIPPING AND FALLING INTO THE STEAM HEAD ITSELF OR INTO THE STREAM OF STEAM EMITTING FROM THE STEAM HEAD WILL CAUSE SERIOUS BURNS, OR PHYSICAL INJURY.
- DO NOT USE A STEAM ROOM WHILE UNDER THE INFLUENCE OF ALCOHOL OR DRUGS, AS THIS CAN BE HAZARDOUS TO YOUR HEALTH.
- IF YOU ARE FEELING UNCOMFORTABLE, DIZZY, FAINT, OR STARTING TO FALL ASLEEP, IMMEDIATELY EXIT THE STEAM ROOM.
- DO NOT USE A STEAM ROOM IF YOU ARE UNDER THE AGE OF 16 UNLESS SUPERVISED BY AN ADULT.
- THERMASOL GENERATORS ARE FOR INDOOR USE ONLY. THEY SHOULD NEVER BE LOCATED OUTSIDE THE HOME.
- THERMASOL GENERATORS ARE NOT TO BE USED FOR SPACE HEATING PURPOSES.
- FOR SAFETY, SMOOTH OPERATION PRACTICE AND LIABILITY. IF YOU ARE A PLUMBER/INSTALLER, PLEASE ENSURE THIS OWNERS MANUAL & WARRANTY INFORMATION IS IN THE OWNER'S POSSESSION WITH SPECIFIC DELEGATION FOR THE PURPOSE OF COMPLETELY FAMILIARIZING ANY USERS WITH THIS PRODUCT.
- FAILURE TO FOLLOW INSTALLATION INSTRUCTIONS SPECIFICALLY WILL CAUSE THE WARRANTY TO BE VOID.

**Note:** For better technical assistance and before contacting Technical Support, please have this model number, serial number, and date code ready.

PLACE SERIAL # HERE

DATE  
CODE  
HERE

**Headquarters & Technical Support**  
1958 Steam Way, Round Rock, TX 78665 – (800) 776-0711  
Mon – Fri 7:00 – 7:00 CST

Model	Description	Total Room Volume: CF
TSD-600-240	SuperDuty Generator 15 kW, 240V	Up to 600 Cubic Feet
TSD-900-240	SuperDuty Generator 18 kW, 240V	Up to 900 Cubic Feet
TSD-1200-240	SuperDuty Generator 24 kW, 240V	Up to 1200 Cubic Feet
TSD-1600-240	SuperDuty Generator 30 kW, 240V	Up to 1600 Cubic Feet
TSD-600-480	SuperDuty Generator 15 kW, 480V	Up to 600 Cubic Feet
TSD-900-480	SuperDuty Generator 18 kW, 480V	Up to 900 Cubic Feet
TSD-1200-480	SuperDuty Generator 24 kW, 480V	Up to 1200 Cubic Feet
TSD-1600-480	SuperDuty Generator 30 kW, 480V	Up to 1600 Cubic Feet

## Sizing Your Steam Room

**Steam Room Size Formula:  $L \times W \times H = \text{volume in cubic feet (ft}^3\text{)}$**

All measurements are to be in units of feet. For non-standard ceilings (above 8 ft. high), apply a correction factor (add 10% per foot).

Examples: For a 9 ft. ceiling, the formula requires correction factor of 1.1 x (room size)  
 For a 10 ft ceiling, the formula requires correction factor of 1.2 x (room size)

For further assistance call toll-free: 800-776-0711

# START HERE

This Unit is a Commercial Unit  
It Must Be Installed By a Licensed Electrician and Plumber

In order to properly install this system for the first time you must have the following:

**Quantity = 1, SD Series Superduty Steam Generator, per steamroom**

**Quantity = 1, SDK Accessory Kit, per steamroom**

## Included in the two kits:

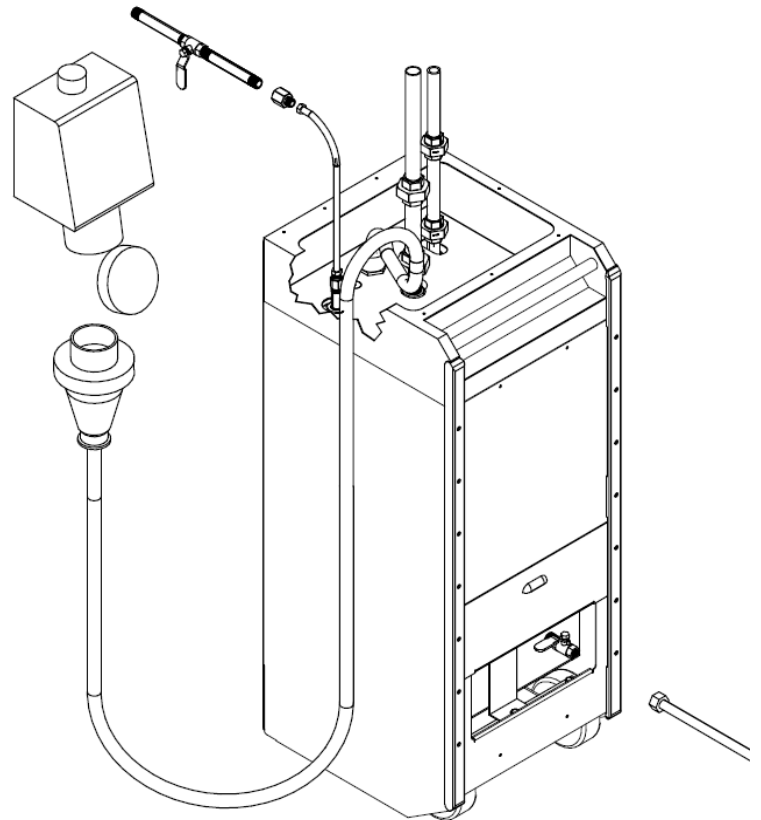
- Installation Instructions
- Superduty Steam generator
- Master Controller
- Steam room sensor w/ 50 foot lead wire.
- Polished chrome steam head
- 30 Minute Mechanical Timer w/bezel
- NEMA rated wall power receptacle (240v or 480v)
- 100 foot data cable
- 20"x 3/8 comp hose and 1/2" NPT adapter
- Hardware packet

## Materials Needed:

- 1/2" Brass ball valve for water supply
- Proper electrical supply
- Pipe compound
- Copper or brass nipples (Size and quantities per Instructions)
- In-line filter (recommended)
- 1" brass or copper union (Service disconnect)
- 1" x 6" NPT copper pipe nipple
- 3/4" brass or copper union
- 3/4" x 6" NPT pipe nipple (service disconnect)
- Wire (sizes and quantities per Instructions)
- Copper tubing or pipe
- Wire cap nuts
- Flex conduit
- Brass or copper tee fitting and plug

## Tools Needed:

- Pipe wrench
- Tubing cutter
- Flaring tool (if flared fittings are used)
- Pipe thread cap
- Wire cutters and wire strippers
- Adjustable wrench
- Screwdrivers (philips and slotted)
- Solder & flux
- 3/16" & 1-1/2" masonry drill bits
- Drill motor
- Propane torch
- Other tools as may be required



**Generator size 18Wx21Dx48H**

# Installation Requirements

1. Use copper or brass fittings only. **NEVER USE GALVANIZED FITTINGS or IRON PIPE!**
2. The steam outlet is: 1"NPT and requires brass unions.
3. The **generator must be upright, accessible and on a level surface** with **all** connections on the top. **The Access Panel (top of unit), as well as the drain access door (lower front of unit) must be unobstructed and allow for easy access. The Access Panel on the rear of the unit requires a 36" clearance to access the generator's heating elements. If the 36" clearance is not obtainable, the unit will have to be disconnected from the water supply and moved to allow rear access during unit maintenance. It is best to install the unit sideways. See the Installation Location Diagram below.**
4. Unit may be installed up to 50 feet away from shower area.
5. Master Controller may be installed up to the 100' of cable run away from the generator.
6. **Do not** plumb a trap in the steam line or plumb the pressure relief valve into the steam line. Do not plumb the steam line (pipe) up then down then back up again. This will cause a steam trap.
7. Pitch the steam line (pipe) back towards the generator. Always avoid **perfectly level plumbed lines.**
8. Before connecting the water line to the generator, flush water line into a five-gallon pail to remove any silt or other material that may be in the line. An in-line water filter is recommended.

**Caution: If the unit is run without water, serious damage may result! This possible damage is not covered under ThermaSol's limited warranty.**

**Note: Failure to follow specific installation instructions will cause the warranty to be void.**

## Water Inlet

1. Install a 1/2" ball valve to a COLD water line. If an in-line filter is to be installed on the water line to the generator, (which is suggested), do so between the valve and the 3/8" compression adapter (included) for easy filter service. Place the water pipe outlet within 6" of the top/left/rear corner of unit.
2. Remove the top access panel with Philips head screw driver.
3. Before making the last connection to the 3/8" water inlet line coming into the top of the unit, flush the water line into a five-gallon pail to remove any silt or other material that may be in the line.
4. Make the final connection hand tight then 1 full turn with a wrench. Turn on water. All ThermaSol generators are equipped with an automatic water fill system. The water will stop after unit is filled.
5. Thoroughly check for any leaks.
6. Max Water pressure is 70psi. Minimum Water pressure is 40psi. Max Water usage for all models in less than 1GPM.

## STEAM HEAD INSTALLATION

### Parts Enclosed

- Commercial steam head
- Escutcheon

### Tools Needed

- Pipe wrench
- 1 1/2" diameter" cutting tool
- Silicone gun
- Other tools as required

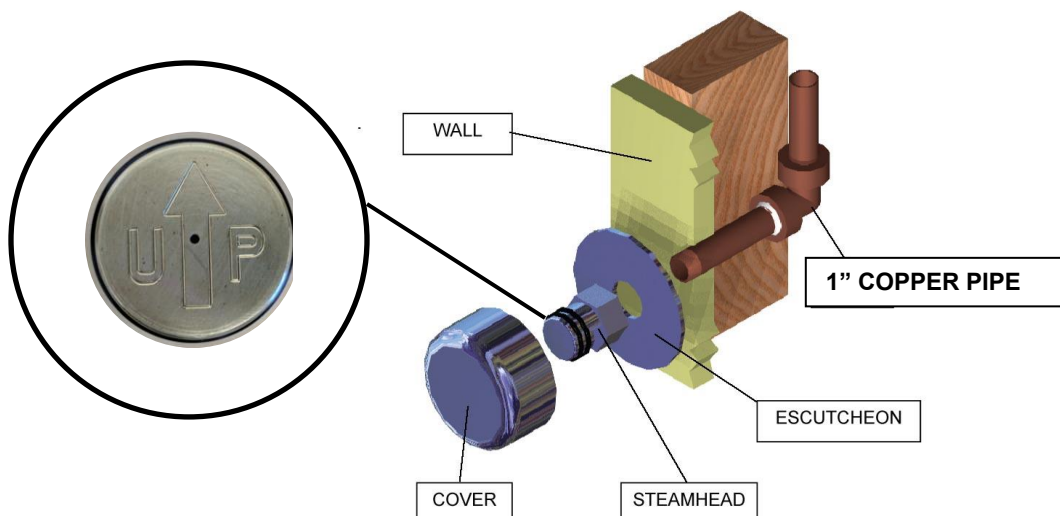


### IMPORTANT NOTE!

**LOCATE THE STEAM HEAD 6" INCHES FROM ANY CORNER, 12" INCHES FROM FLOOR AND AS FAR AWAY AS POSSIBLE FROM ANY BENCH, SEAT OR DOOR. THE STEAM HEAD IS TO BE MOUNTED AS FAR AWAY AS POSSIBLE FROM TYPICAL BATHING POSITIONS (SEATED OR STANDING) AND AS FAR AWAY FROM THE ROOM TEMP SENSOR (CONTROLLER) AS POSSIBLE.**

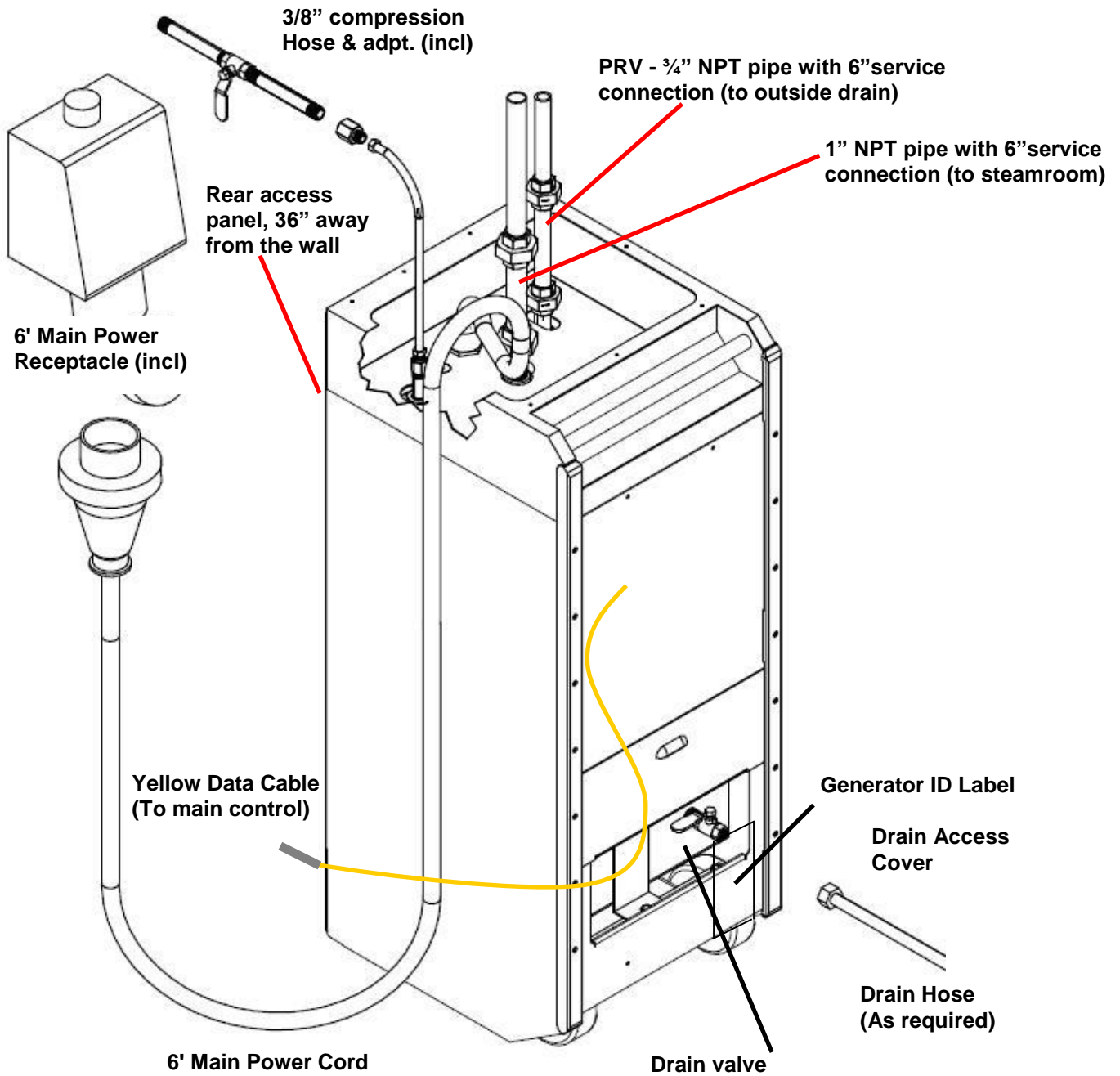
1. Once a location is determined, Drill a 1 1/2" diameter hole in the shower wall.
2. Connect 1" copper pipe or copper tubing onto the steam outlet of the generator with a 1" union. Run a 1" copper pipe from the union to the 1 1/2" hole in the wall. With 1/2"-1" of pipe protruding from wall.
3. Attach the steam head and escutcheon to the copper pipe. **CAUTION: Do not obstruct the steam line with any shut-off valves, plugs or caps. All steam generators are designed to build NO PRESSURE. NOTE:** Make sure the steam head **ARROW** is pointing **UP** as shown in the detail below.
4. Press the Chrome cover over the steamhead with lettering "HOT" upright and readable.
5. The steam line (pipe) can run up, down, or horizontal; but **cannot run down and then up**. If it does, a steam trap will be produced at the low point blocking the flow of steam. Insulate the steam outlet piping if the piping run exceeds 10 feet or is exposed to cold areas. **NOTE: Use steam rated insulation (225 °F minimum).**

**WARNING: Avoid contact with steam head! It will burn you. Avoid direct contact with the steam coming out of the steam head! It is extremely hot! It will burn you!**



**IMPORTANT**

Once all connections are made and tested for leaks reinstall top access cover



Generator size 18Wx21Dx48H

## WARNING

DO NOT USE THIS PRODUCT UNLESS YOU HAVE CONSULTED WITH YOUR DOCTOR AND RECEIVED WRITTEN PERMISSION TO DO SO. USE OF THIS PRODUCT MAY BE HAZARDOUS TO YOUR HEALTH.

## WARNING

NEVER ATTEMPT TO FILL AROMA RESERVOIR ON THE STEAM HEAD WHEN UNIT IS IN THE ON POSITION. SEVERE BURNS MAY OCCUR.

## WARNING

DO NOT USE AROMA THERAPY OILS OR SKIN CARE PRODUCTS OR ANY PRODUCT IN CONJUNCTION WITH YOUR UNIT WITHOUT CONSULTING WITH YOUR ALLERGIST OR DOCTOR BEFORE USE. THESE PRODUCTS MAY BE HAZARDOUS TO YOUR HEALTH.

## WARNING

YOUR SHOWER MAY BE A SLIP AND FALL HAZARD CHECK WITH YOUR CONTRACTOR OR FLOORING MANUFACTURER REGARDING THE SAFE USE OF YOUR FLOORING IN A STEAM APPLICATION. SLIPPING AND FALLING INTO THE STEAM HEAD ITSELF OR INTO THE STREAM OF STEAM EMITTING FROM THE STEAM HEAD WILL CAUSE SERIOUS BURNS, OR PHYSICAL INJURY.

## WARNING

STEAM IS HOT! DO NOT TOUCH OR GO NEAR THE STEAM HEAD FROM THE TIME THE UNIT IS "ON", UP TO ONE HOUR AFTER IT HAS SHUT OFF. SEVERE BURN WILL OCCUR IF YOU COME IN CONTACT WITH THE STEAM HEAD OR STEAM EMITTING FROM THE STEAM HEAD.

## WARNING

DO NOT USE STEAM ROOM WHILE UNDER THE INFLUENCE OF ALCOHOL OR DRUGS, AS THIS CAN BE HAZARDOUS TO YOUR HEALTH.

## WARNING

IF **YOU** ARE FEELING UNCOMFORTABLE, DIZZY, FAINT, OR STARTING TO FALL ASLEEP IMMEDIATELY EXIT THE STEAM ROOM.

## WARNING

DO NOT USE STEAM ROOM IF YOU ARE UNDER THE AGE OF 16 UNLESS SUPERVISED BY AN ADULT.

# Electrical Installation

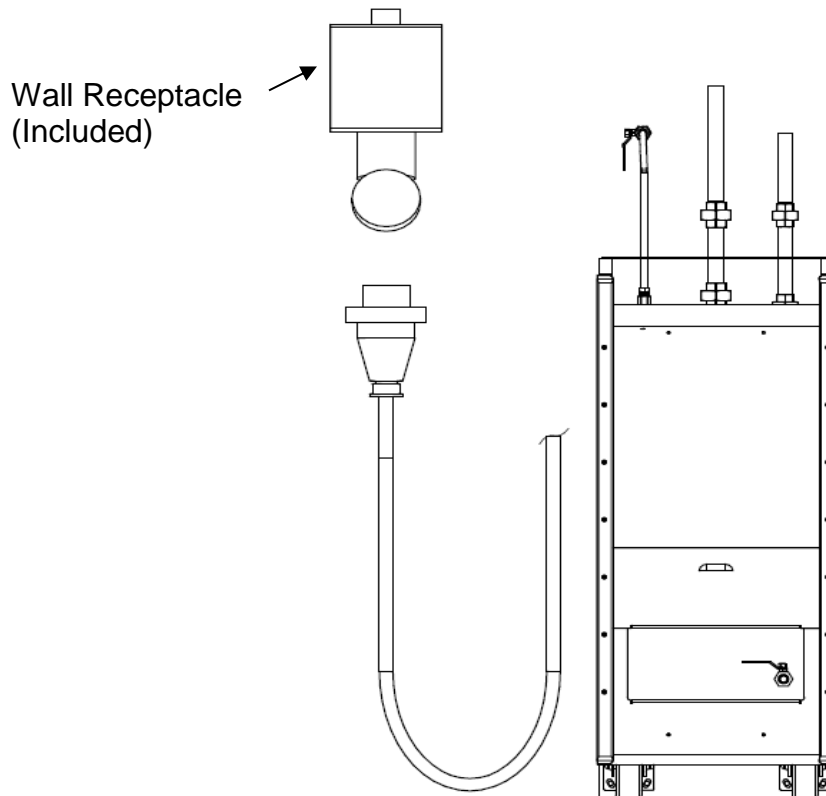
**Note: All electrical wiring must be done per local electrical codes and by a licensed electrical professional.**

Model	Description	Volts	Heaters X3	kW	Amps	Wire	Fuse	Phase	Room Volume
TSD-600-240	SuperDuty Generator 15 kW, 240V	208/240	5000 W	15 kW	39	6	50	3	600 Cubic Feet
TSD-900-240	SuperDuty Generator 18 kW, 240V	208/240	6000 W	18 kW	47	6	60	3	900 Cubic Feet
TSD-1200-240	SuperDuty Generator 24 kW, 240V	208/240	8000 W	24 kW	63	4	80	3	1200 Cubic Feet
TSD-1600-240	SuperDuty Generator 30 kW, 240V	208/240	10000 W	30 kW	79	2	100	3	1600 Cubic Feet
TSD-600-480	SuperDuty Generator 15 kW, 480V	480	5000 W	15 kW	18	10	25	3	600 Cubic Feet
TSD-900-480	SuperDuty Generator 18 kW, 480V	480	6000 W	18 kW	22	10	30	3	900 Cubic Feet
TSD-1200-480	SuperDuty Generator 24 kW, 480V	480	8000 W	24 kW	29	8	40	3	1200 Cubic Feet
TSD-1600-480	SuperDuty Generator 30 kW, 480V	480	10000 W	30 kW	36	6	50	3	1600 Cubic Feet

Wire sizes recommended by National Electric Code. Minimum wire temperature rating is 90 °C.

Turn off all electricity to the working area at the main breaker panel prior to installation.

1. Have a licensed electrical professional Connect the 240 or 480 VAC Wall receptical (model dependant) per Local and National Electrical codes. The system uses 4 conductor wire (3 phase and a ground). See wiring diagrams on pg. 15.



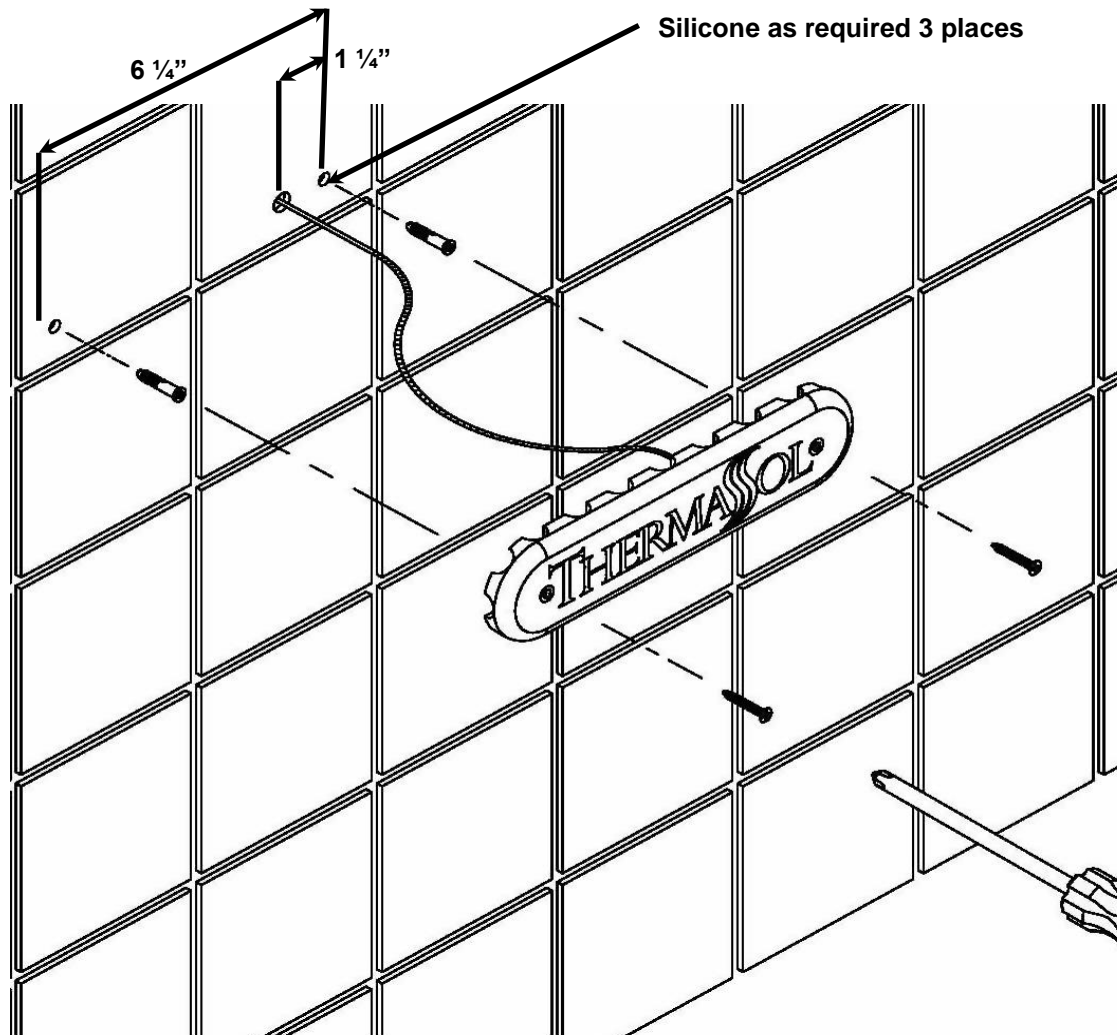


# In Room Temperature Sensing device

**NOTE: DO NOT mount sensor near the steam head!**

1. Install the Temperature Control sensor with bulb guard in the steam room 4 to 6 feet above the floor. Drill two  $\frac{1}{4}$ " holes (Screw Inserts) and one  $\frac{3}{8}$ " hole (sensor wire)
2. Bring the control sensor wire to the master controller through conduit. Connect the control sensor wires, using  $\frac{1}{4}$ " push-on connectors, to the control panel connector labeled "TEMP SENSOR".
3. Silicone all trough holes with supplied silicone to ensure all holes don't allow moisture to get from steamroom into the wall.
4. Connect the Control Timer to the "TIMER" connection on the control panel using the two (supplied) wire nuts connectors.
5. Install the temperature control sensor with bulb guard in the steam room 4 to 6 feet above the floor.

**Failure to follow installation instructions specifically may cause the warranty to be void!**

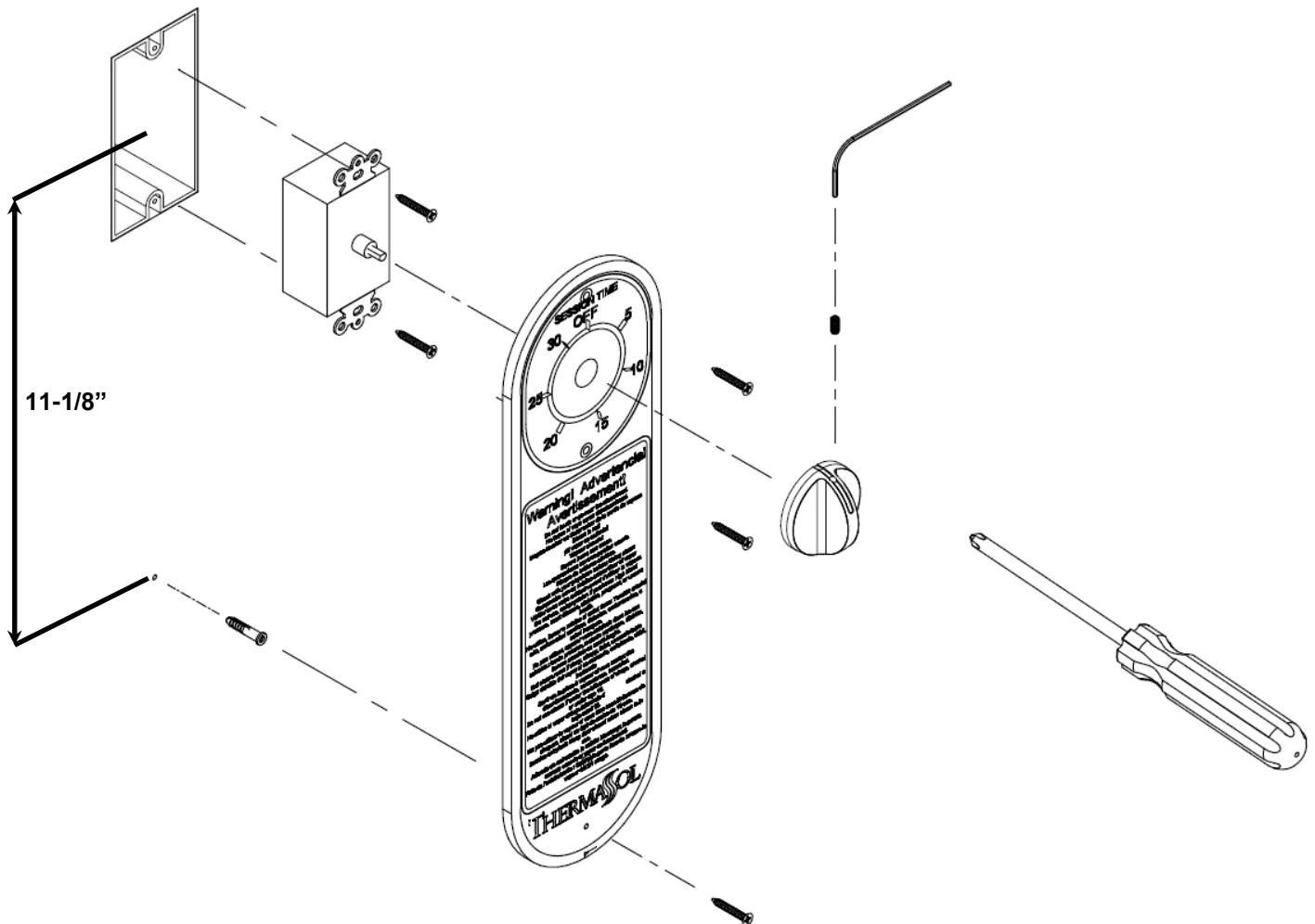


# OUTSIDE ROOM 30 Minute Timer device

## Do Not Mount inside the steamroom

1. Outside of the steam room door, install the 30 minute timer device. This allows the generator, when room is not occupied, to reduce the room temperature and save energy.  
**Note: After installation you can override timer with main control panel see pg. 14**
2. Bring the Timer Device wire to the master controller through conduit. Connect the control sensor wires, using ¼" push-on connectors, to the control panel labeled "TIMER".
3. Using a single gang box, attach the 30 Minute Timer lead connections with the supplied wire to the timer. Using the supplied screws with the timer box, screw the timer onto the single gang box.
4. Drill one ¼" hole from center of timer box down: 11-1/8" for screw anchor.
5. Screw back plate to box and the lower anchor. (3 places)
6. Place the Timer knob onto the Timer shaft using the supplied set screw and 5/32<sup>nd</sup> hex wrench. Tighten firmly against the flat surface of the Timer shaft.

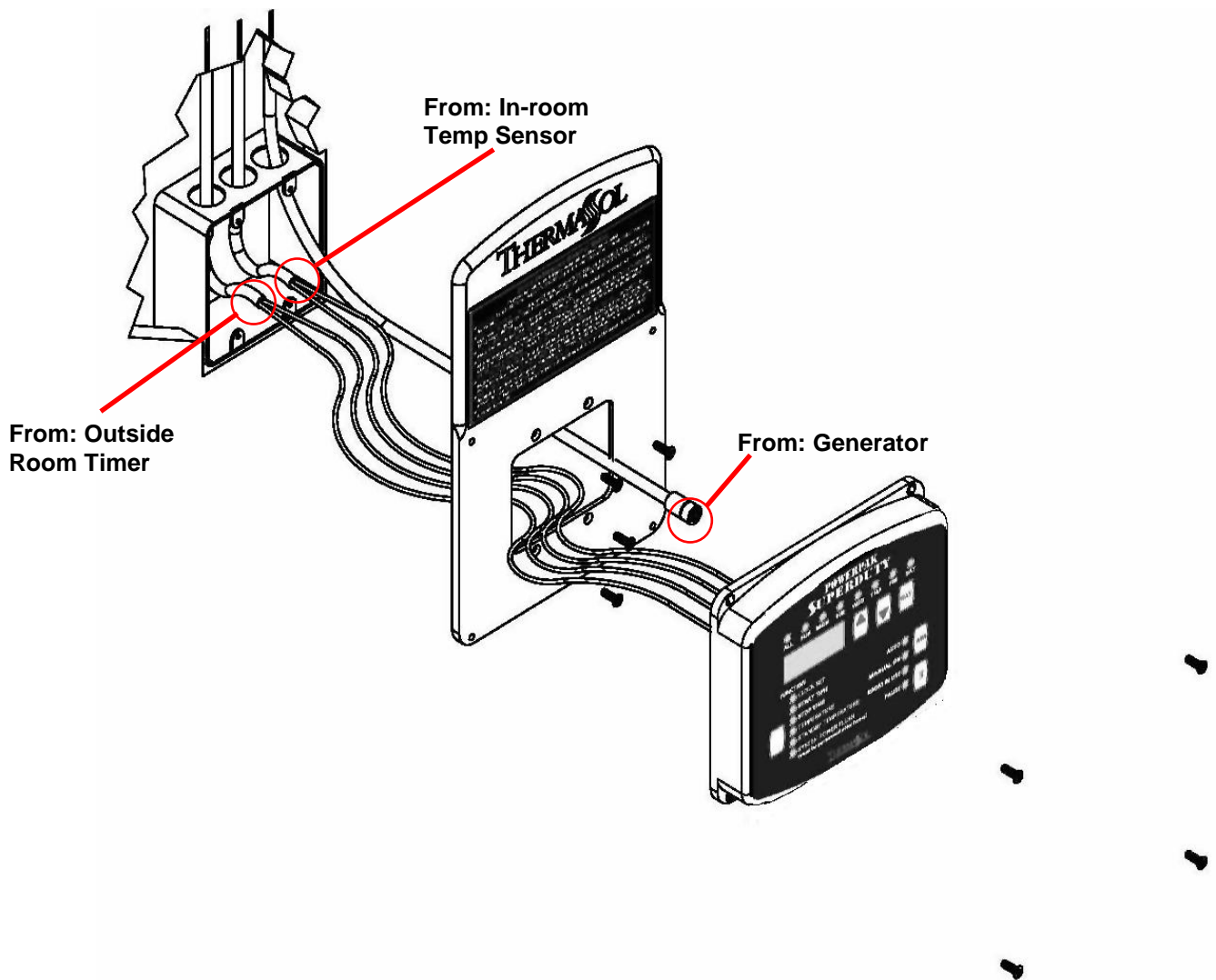
**Failure to follow installation instructions specifically may cause the warranty to be void!**



## Do Not Mount inside the Steamroom

1. The Master Controller should only be accessible to authorized personnel and can be mounted in an office area, by the actual steam generator, at the front desk or where ever is convenient and secure for the club or spa.
2. This device is designed for use with a 2 gang standard receptacle box.
3. Install the receptacle box keeping in mind that 3 other devices will be converging at this point.
  - A. Outside room Timer
  - B. Generator control data cable
  - C. In Steamroom Temperature sensor
4. After A-B-C have been ran through the wall box, place back plate over the wall box and attach with the supplied screws. Make all connections to controller then attach the controller to the backplate with the supplied #8-32 screws.

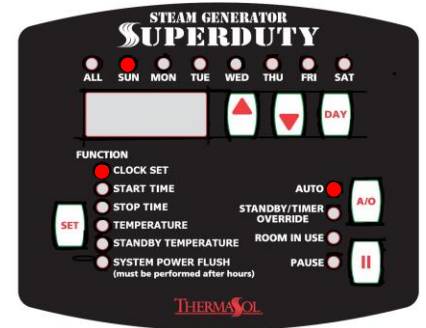
**Failure to follow installation instructions specifically may cause the warranty to be void!**



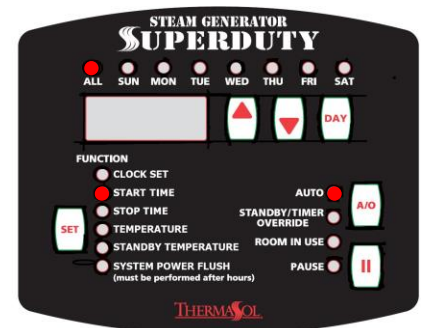
# ThermaSol SUPERDUTY Control Operating Instructions

**BEFORE PROCEEDING MAKE SURE ALL WATER SUPPLY, STEAM AND PRV CONNECTIONS ARE COMPLETE AND WATER IS TURNED ON. INSPECT FOR LEAKS AND ALLOW TANK TO COMPLETELY FILL. MAKE SURE NO ELECTRICAL SHORTS OR EXPOSED WIRES ARE PRESENT, GENERATOR IS PLUGGED IN AND BREAKER IS ON.**

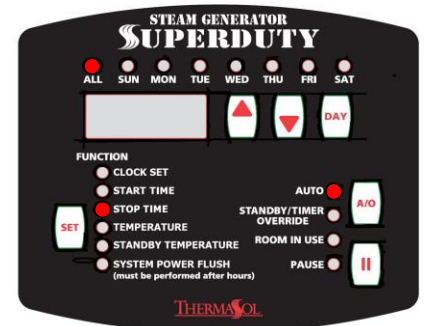
1. Ensure electrical/plumbing installation is complete (see page 8) – turn on power to unit at the breaker/disconnect box. The display will reset to 00:00 and then display the current time of day. If the time and/or day of week are not correct, press DAY or UP/DOWN buttons once to get to set clock menu, the “CLOCK SET” LED will start blinking. Press the day to adjust the correct day of the week. Press UP or DOWN to adjust the time. After 5 seconds, the system will accept this as the valid time. You can also press SET button to accept. The time displayed is a 24-hour clock while the day of the week is marked by an LED next to the DAY label.



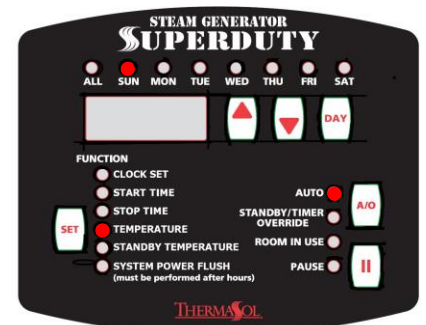
2. Now you will set the “Steam Start Time”. Press the SET button once. You should see the light next to the “Start Time” come on and a red light next to ALL day. The ALL feature sets the start time for all 7 days. This saves time on entering redundant information 7 times. Using the DAY button, you can customize the availability of steam and individually change the start time on specific days. Press UP or DOWN once to enter the “Start Time” change menu – The LED will start blinking. The system comes from the factory with default values of 7:00 start time for all seven days. Using the arrows, set the time you want the steam to be available on that day from now onward.



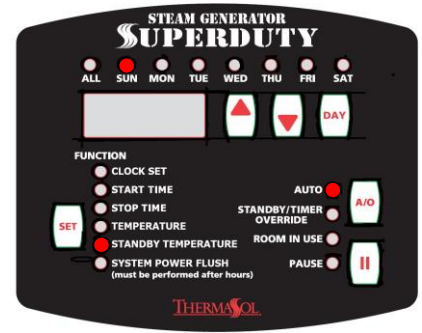
3. Next, set the “Steam Stop Time” using a similar method as the Start Time. Press the SET button once. You should see the light next to the “Stop Time”. Press UP or DOWN once to enter the “Stop Time” change menu – The LED will start blinking. Using the arrows, set the time you want the steam to stop for that day from now onward. Note that you are either programming a specific day or ALL (1 full week). If ALL was the day configured, the settings will be applied to all 7 days. If there is a need to modify specific days, press DAY to move to the desired day to modify the time settings.



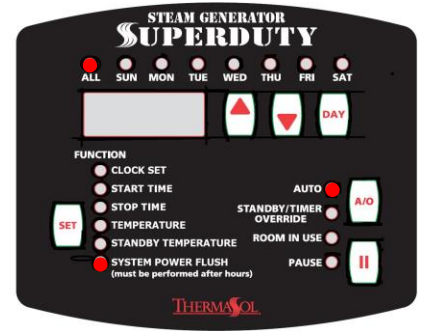
4. Pressing the SET button will let you see the current steam room temperature, and also enable you to configure the Temperature Set Point. Upon a first press of UP or DOWN, the Function LED will start blinking and the set point will be displayed. Using the arrows, set the temperature you want to be stored as the Set Point. This Generator will use this temperature as a threshold for maintaining and keeping the steam room at the constant desired temperature. This temperature is applied to all 7 days of the week.



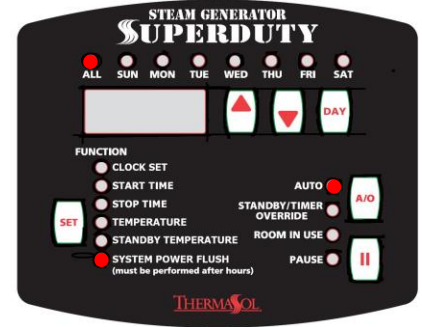
- Pressing the SET button will let you see the “Standby” steam room temperature, and enable you to configure it. Upon a first press of UP or DOWN, the Function LED will start blinking and the standby temperature will be displayed. Using the arrows, set the temperature you want to be stored as the “Standby Temperature”. In auto mode the Generator will use this temperature for maintaining and keeping the steam room at the constant desired temperature when the steam room is not occupied or the mechanical timer is off. This temperature is applied to all 7 days of the week. If the unit is in “Override” mode, this setting is ignored.



- Pressing the SET button once again will enable you to set the “Power Flush System” availability time. You should see the light next to the “Power Flush Time” come on and the display will show the Power Flush time for the configuration day. Using the arrows, set the time you want the flush to be available for that day from now onward, press the DAY button for each day and using the arrows to set the time you want the unit to begin its Power Flush cycle. Once again the use of ALL for the day will apply the setting to all 7 days while pressing the DAY button will allow you to modify the time for any specific day. The Power Flush stops automatically at the end of its cycle (Approximately 45 minutes). Power Flush start time can occur before start time (00:00 midnight, with 07:00 start) or after hours (20:00 stop time, and 23:00 Power Flush start).



- Pressing the SET button once again will display the days remaining until the next actual Power Flush cycle is to commence. It will also display the day of the week this event is scheduled to occur. This figure is a function on the Set interval requested and the actual usage of the steam room. In order to change the desired interval, while in this mode, press and hold the SET button for 5 seconds. The SET LED will start blinking; Press the UP or DOWN buttons to adjust the required interval. This interval is a function of water hardness and condition. It will be adjusted for optimum conditions by qualified user or by the ThermaSol CSR.

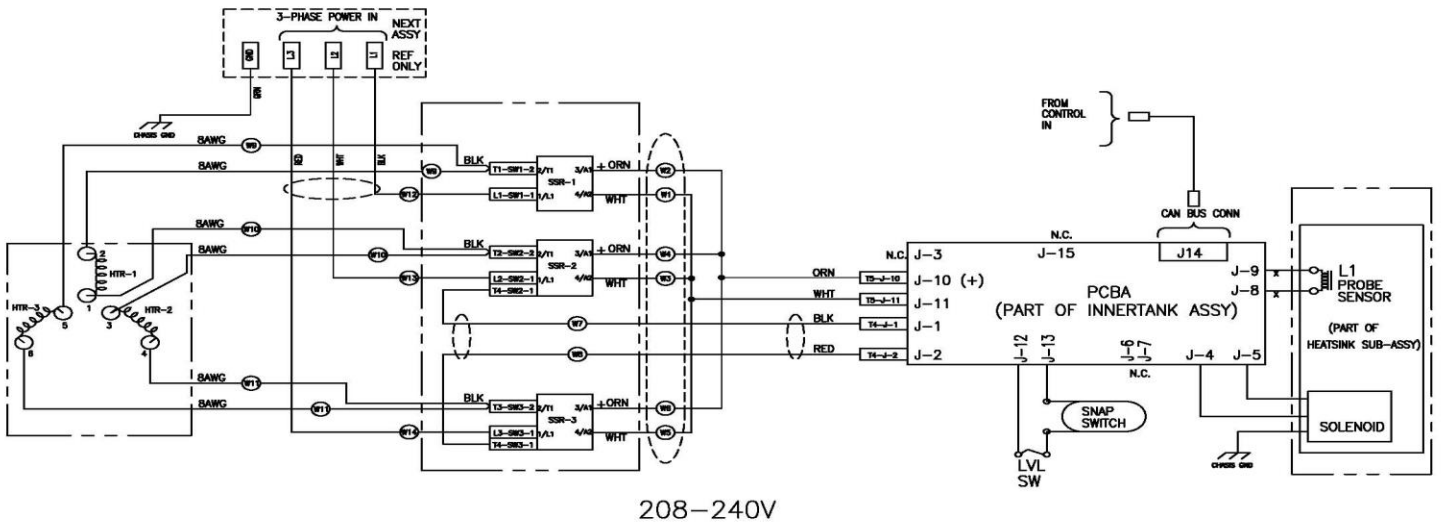


**Headquarters & Technical Support**  
 1958 Steam Way, Round Rock, TX 78665 – (800) 776-0711  
 Mon – Fri 7:00 – 7:00 CST

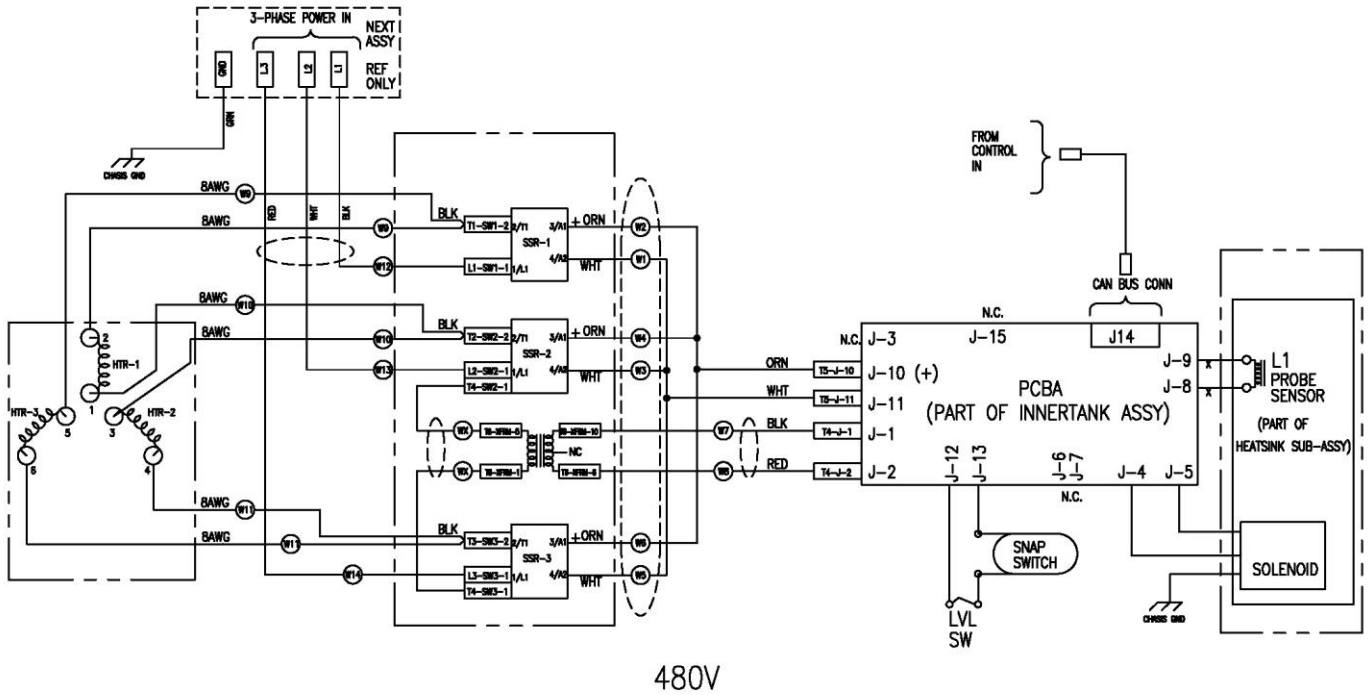
# Controller Notes and Tips

- The system will revert back to displaying the current time and day after 1 minute of no button activity. The SET button is used to select between various display settings.
- The ALL day feature is extremely useful as it enables the ability to quickly set start, stop, and Power Flush times for all 7 days. Then on days such as weekend days, the user can modify only those days eliminating the need to enter redundant information.
- The Start, Stop, and Power Flush times are related to each other automatically. The system is shipped from the factory with default values of 7:00 Start, 20:00 Stop, and 23:00 Power Flush for all 7 days. The user can always revert (reset) back to these original factory defaults by pressing and holding the UP and DOWN buttons simultaneously from the Diagnostics menu for 5 seconds.
- If the Start time reaches the Stop time, the system will automatically fix that by pushing the stop time forward. Similarly, if the Stop time reached the Start time, it will attempt to push the Start time backwards if possible until reaching 00:00. If both times reach within 5 minutes of the Power Flush time, the system will try to jump to 50 minutes past the Power Flush time, if it is unsuccessful, it will maintain the previous settings.
- The system supports temperature in both Fahrenheit and Celsius with a default factory setting of Fahrenheit. To change the units to Celsius, press the SET button until you reach the "Temperature" menus. Then press and hold the SET button for 5 seconds and release, the "Temperature" format will change.
- The "Auto/Override" mode button overrides the standby temperature such that the room will be maintained at the Temperature set point as long as the mechanical timer is ON. The Steam generator will be completely OFF when the mechanical timer is in the OFF position. To switch to override mode, simply press the Auto/Override button, the "Override" LED will light up. To switch back to Auto/Standby mode, simply press the Auto/Override button again, the "AUTO" LED will light.
- A blinking "AUTO" LED means the current time is available for steam and if the mechanical timer is on, the room will be at the Set Point temperature. If the mechanical timer is off, the room will be at the Standby Temperature. Blinking "ROOM IN USE", means the mechanical timer is ON.
- The system is equipped with special diagnostics features that are accessible using the diagnostics menu. From the Start or Stop Menus, press and hold the SET button for 5 seconds. The display will then show and cycle between the following screens.
  - F xx - Firmware of Control
  - P xx - Firmware of SuperDuty Generator
  - xxx F - Cooling body Temperature
  - S xxx - ProHeat duty cycle
  - U xxx - Supply Voltage
  - xyza - Total Lifetime hours of steam generation (increments of 10 hours)
  - xyza - Total number of Power Flush cycles completed
  - xyza - Total number of Power Flush cycles attempted
- The system is equipped with an error messaging system. Upon a system malfunction, an error message will be displayed with the following code numbers:

E 194 - Pause button stuck	E 90 - Max Room temperature exceeded
E 192 - Up button stuck	E 195 - Day button stuck
E 190 - Down button stuck	E 191 - Manual button stuck
E 193 - Set button stuck	E 97 - SSR body temperature sensor is disconnected or not functioning
E 91 - Float switch tripped for 10 seconds	E 99 - Communication error
E 98 - SSR body temperature to high	E 96 - High AC Voltage
E 95 - Low AC Voltage	

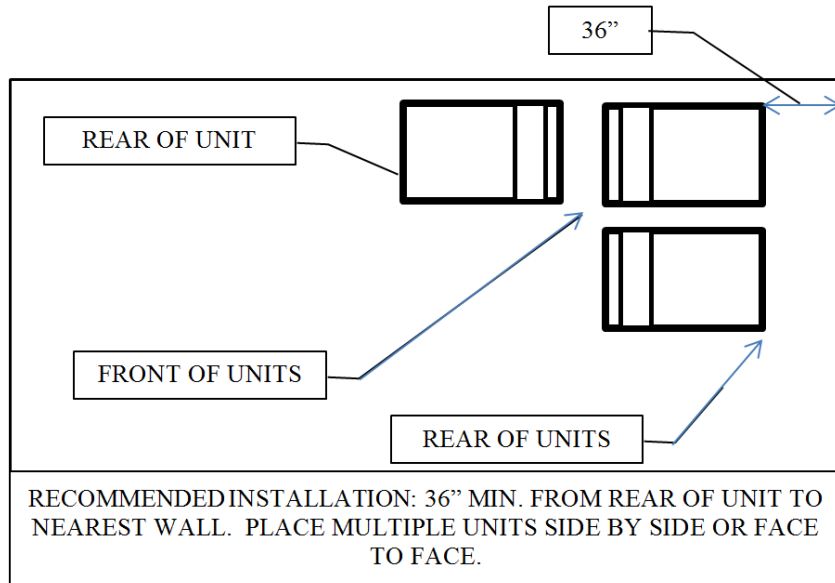


**System Wiring Diagram –208-240VAC, 3-Phase**



**System Wiring Diagram – 480VAC, 3-Phase**

## UNIT INSTALLATION LOCATION DIAGRAM



## INSTALLER NOTES:



# SUPERDUTY WARRANTY

**12-month warranty from date of purchase for SuperDuty generators on all parts found to have a manufacturing defect and labor required to replace those parts.**

## EXCLUSION

- I. This service warranty does not cover: parts or product damaged in shipment; manufacturing defects observable prior to installation; parts or product damaged during installation; malfunction of equipment due to improper installation or installation not according to manufacturer specifications and/or installation instructions; parts or product installed in a manner that does not permit proper access to service; calcification build-up due to water condition and/or improper maintenance; damages to plated parts and accessories due to chemical corrosion or reaction; cosmetic damage; repairs caused by accident; neglect, misuse, vandalism, fire, lightning, earthquake, or any other peril; unauthorized and/or improper and modification or damage to structure or facility. The Customer at the current labor and material charges shall pay any repair or installation modification that is subject to the above exclusion in effect at the time.
- II. THERMASOL will exercise reasonable efforts in rendering service under this warranty, but shall not be liable for any damage arising out of delays. This warranty only covers the repair and/or replacement as specified by the warranty.
- III. This warranty gives you specific legal rights and you may also have other rights, which may vary from state to state. Determination of rights under this warranty is in accordance with the laws in the state of Texas. Any dispute under the warranty must be submitted and resolved by arbitration in Texas.
- IV. THERMASOL does not guarantee that a local service person will be available. Unit may have to be removed and reinstalled at owner's expense. It is the responsibility of the buyer to file a claim with the carrier/carriers for any product that has shipping damage to or from THERMASOL. An RMA (Return Merchandise Authorization) must be obtained from the factory and used on any correspondence or packages sent to the factory. **THERMASOL, 1958 Steam Way, Round Rock, TX 78665 800-776-0711**

## TERMINATION

This warranty will be terminated by THERMASOL for the following reasons: Improper installation or use; service to equipment by unauthorized personnel; installation that does not permit proper access for service; non-payment of repairs not covered under warranty; **non-remittance of completed warranty card**. Modification to unit not authorized by THERMASOL; use of non-THERMASOL repair parts.

---

## THERMASOL SUPERDUTY REGISTRATION CARD / COMMERCIAL UNIT

NAME OF FACILITY: \_\_\_\_\_ PHONE: ( ) \_\_\_\_\_  
ADDRESS: \_\_\_\_\_ CITY: \_\_\_\_\_ STATE: \_\_\_\_\_ ZIP: \_\_\_\_\_

EMAIL: \_\_\_\_\_

**I first heard about THERMASOL** (please check one:)

- in a magazine/newspaper ad     at a consumer trade show     at the dealer or outlet where I purchased generator  
 Website     Other \_\_\_\_\_

SERIAL NO.: \_\_\_\_\_ MODEL: \_\_\_\_\_  
DATE OF PURCHASE: \_\_\_\_\_ DEALER/OUTLET: \_\_\_\_\_

INSTALLER NAME: \_\_\_\_\_ PHONE: ( ) \_\_\_\_\_  
INSTALLER ADDRESS: \_\_\_\_\_ CITY: \_\_\_\_\_ STATE: \_\_\_\_\_ ZIP: \_\_\_\_\_

CUSTOMER SIGNATURE: \_\_\_\_\_ DATE INSTALLED: \_\_\_\_\_

The generator is working:  Satisfactory     Unsatisfactory    Comments: \_\_\_\_\_