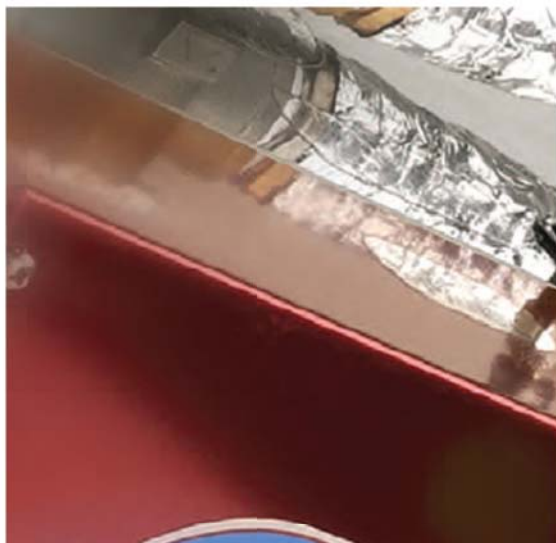
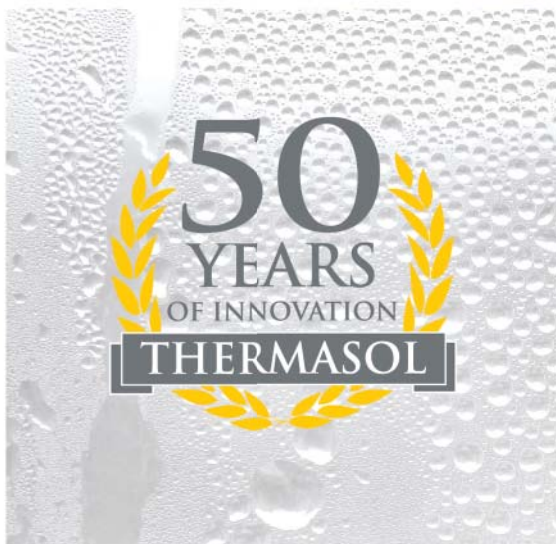


STEAM

INSTALLATION and
PRODUCT GUIDE

GENERATORS | CONTROLS | LIGHT AND MUSIC SYSTEM | FOG-FREE MIRRORS

THERMASSOL[®]
Superior Steamshower Systems Since 1958





Superior Steamshower Systems

TABLE OF CONTENTS

Consumer Warnings	1
Steamhead Installation	3
Control Installation	5
Temp Touch Control Functionality	7
Auto Power Flush	9; 13
Manual Power Flush	9
Serenity Remote Functionality and Installation	10
Signature Series Control Functionality	11
Serenity Light & Music Remote Installation	18
Serenity Light & Music System Installation	19
Shower Speaker Installation	22
Steam Room Sizing	23
Generator Installation Instructions	24
Schematics	30
Warranty Card <i>(Please Complete and Return to ThermaSol)</i>	14-15
Pull-out Templates	16-17

C
O
N
T
R
O
L
S

A
C
C
E
S
S
O
R
I
E
S

G
E
N
E
R
A
T
O
R
S



Superior Steamshower Systems



CONSUMER WARNING



DO NOT USE THIS PRODUCT UNLESS YOU HAVE **CONSULTED WITH YOUR DOCTOR** AND RECEIVED WRITTEN PERMISSION TO DO SO. USE OF THIS PRODUCT MAY BE HAZARDOUS TO YOUR HEALTH.

PLEASE CONSULT YOUR PHYSICIAN BEFORE USING. IF YOU ARE PREGNANT, ELDERLY, HAVE HIGH BLOOD PRESSURE, DIABETES, SUFFERING FROM HEART DISEASE, INTOXICATED, OR NOT IN GOOD HEALTH, DO NOT USE THIS STEAM BATH.

STEAM IS HOT! DO NOT TOUCH OR GO NEAR THE STEAMHEAD FROM THE TIME THE UNIT IS "ON", UP TO ONE HOUR AFTER IT HAS SHUT OFF. SEVERE BURN WILL OCCUR IF YOU COME IN CONTACT WITH THE STEAMHEAD OR STEAM EMITTING FROM THE STEAMHEAD.

NEVER ATTEMPT TO FILL AROMA RESERVOIR ON THE STEAMHEAD WHEN UNIT IS IN THE **ON** POSITION. SEVERE BURNS WILL OCCUR.

DO NOT USE THERMASOL AROMATHERAPY OILS OR SKIN CARE PRODUCTS OR ANY PRODUCT ASSOCIATED WITH YOUR THERMASOL UNIT WITHOUT CONSULTING WITH YOUR ALLERGIST OR DOCTOR BEFORE USE. THESE PRODUCTS MAY BE HAZARDOUS TO YOUR HEALTH.

DO NOT USE STEAM ROOM WHILE UNDER THE INFLUENCE OF ALCOHOL OR DRUGS, AS THIS CAN BE HAZARDOUS TO YOUR HEALTH.

YOUR SHOWER MAY BE A **SLIP-AND-FALL HAZARD**. CHECK WITH YOUR CONTRACTOR OR FLOORING MANUFACTURER REGARDING THE SAFE USE OF YOUR FLOORING IN A STEAM APPLICATION. SLIPPING AND FALLING INTO THE STEAMHEAD ITSELF OR INTO THE STREAM OF STEAM EMITTING FROM THE STEAMHEAD WILL CAUSE SERIOUS BURNS, OR PHYSICAL INJURY.

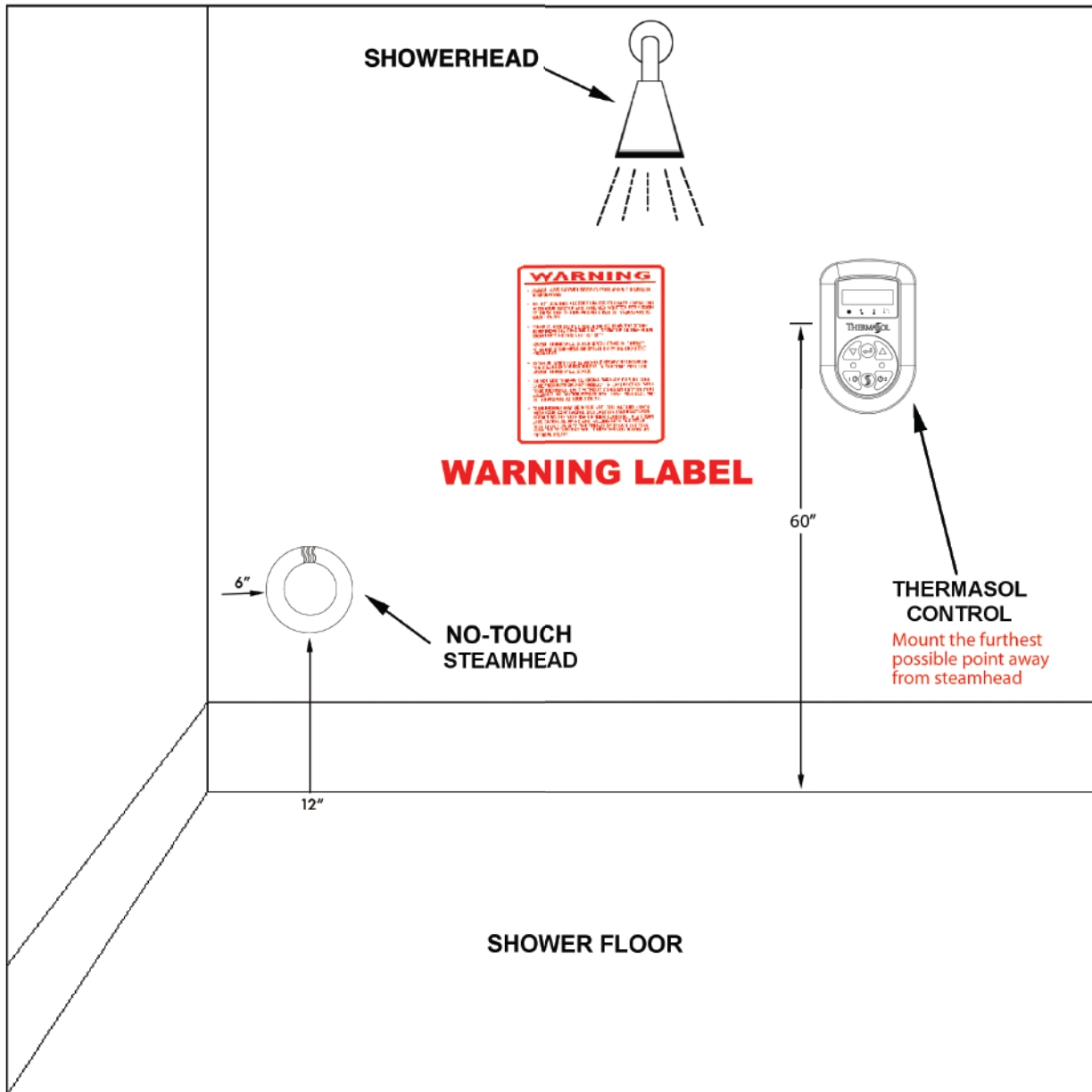
IF YOU ARE FEELING **UNCOMFORTABLE, DIZZY, FAINT**, OR STARTING TO **FALL ASLEEP** IMMEDIATELY **EXIT** THE STEAM ROOM.

DO NOT USE STEAM ROOM IF YOU ARE UNDER THE AGE OF 16 UNLESS SUPERVISED BY AN ADULT.

THERMASOL STEAM BATH GENERATORS ARE **NOT** DESIGNED TO BE USED FOR **SPACE HEATING PURPOSES**.

THERMASOL STEAM BATH GENERATORS ARE FOR **INDOOR USE ONLY**. THEY SHOULD NEVER BE LOCATED OUTSIDE THE HOME.

** NOTICE **



**YOU MUST ATTACH THIS STATIC CLING USER
WARNING LABEL IN THE SHOWER NEXT TO THE
CONTROL UPON COMPLETION OF INSTALLATION**



READ WARNINGS ON PAGE 1

No Touch Steamhead Installation

WARNING

Avoid contact with Steamhead! It will burn you! Avoid direct contact with the steam coming out of the Steamhead! It is extremely hot and will burn you! Never put Aroma oil in the Steamhead when the unit is in the ON position, or when steam is emitting from the Steamhead.

Parts Enclosed with Generator

- No Touch Steamhead Housing
- 50' Control Cable

Parts Enclosed with Steamhead Kit

- Clear Silicone
- No Touch Steamhead
- Aroma Therapy Sample
- Quick Reference Guide

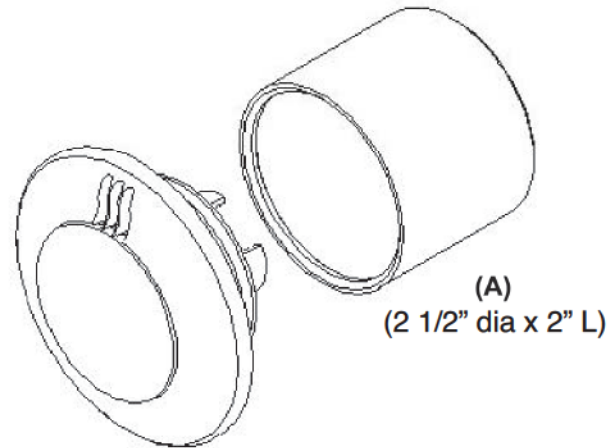
Material Needed

- 1/2" drop elbow
 - 3/4" drop elbow for PRO-600 Thru Pro-1150
- Other materials as required:
 - Solder
 - Flux
 - 1/2" Copper or Brass Pipe Nipple (in appropriate length)
 - 1/2" Copper Tubing
- PRO-650 Thru 1150 Plumbing Requirements
 - 3/4" Copper Tubing 50' max
 - 3/4" to 1/2" adapters QTY. 2

Tools Needed

- 1" deep socket and ratchet
- 2-1/2" hole cutting tool
- Other plumbing as required

PRO-650 Thru PRO-1150 require 3/4" copper Piping



CAUTION: The Steamhead is hot and should not be located near a seat or bench! We recommend locating the Steamhead on the fixture wall.

**** Ensure that all Plumbing is Firmly Secured. ****

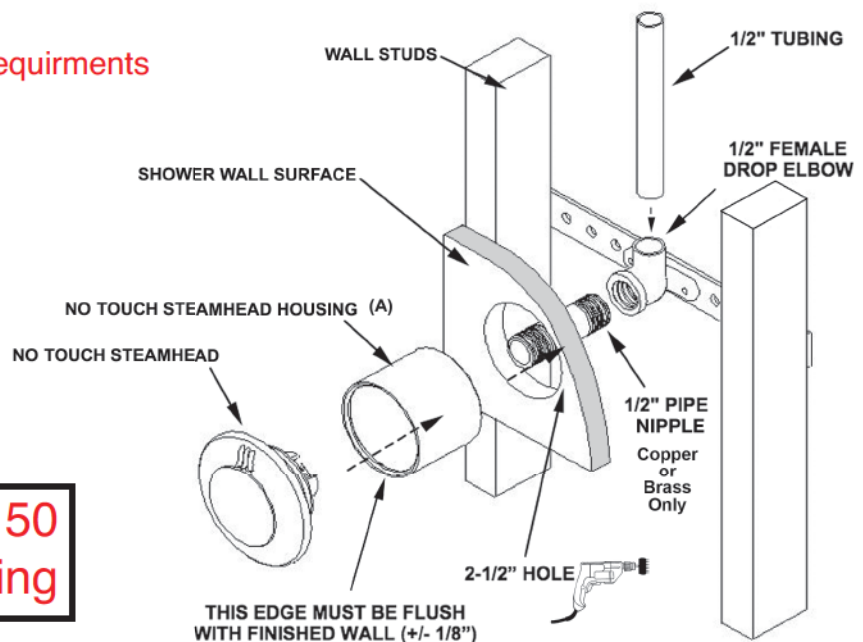


Figure 4



READ WARNINGS ON PAGE 1

No Touch Steamhead Installation

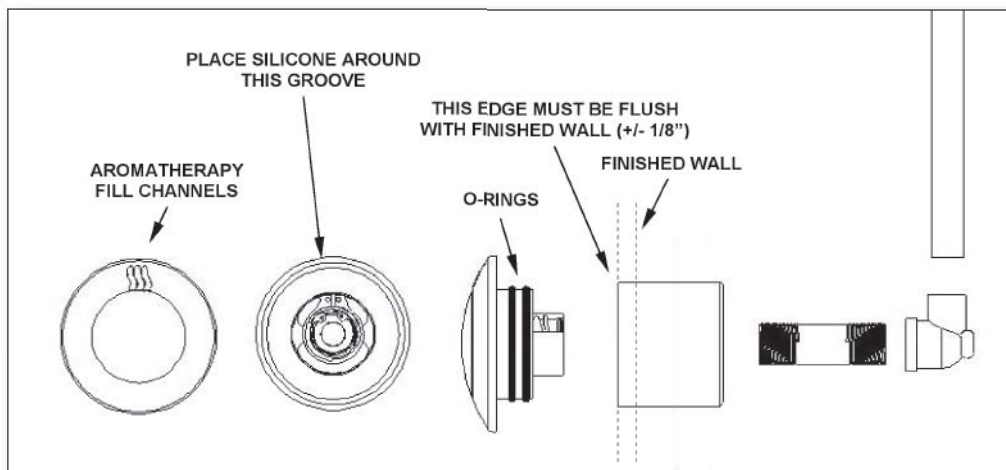


Figure 5

1. Drill a 2-1/2" diameter hole in the shower wall or wall above the bathtub rim for the steam outlet line. (see Figure 6).

The steam line can run up, down, or horizontal; but cannot run down and then up. If it does, a steam trap may be produced at the low point blocking the flow of steam.

2. Connect the brass pipe or tubing from the steam outlet on the generator, to the 2-1/2" diameter hole in the shower wall. See **Figure 4** as a guide. Ensure that the steamhead housing is flush with the finished wall and secured into position. Use Teflon tape/solder for connections. Do not over tighten fittings. **DO NOT USE PVC CEMENT.**

3. When finalizing installation, install the Steamhead into the housing, making sure that the aromatherapy fill channels are facing upwards; see **Figure 5**. To ensure that no moisture gets behind the Steamhead and into the wall, place a generous bead of waterproof silicone around the Steamhead, using the machined groove (located on the back of the Steamhead) as a guide. Be sure there isn't any debris within the housing, and that the two O-rings are in place on the Steamhead. Slide the Steamhead into the housing until the Steamhead is tight against the finished wall. You may need to wipe away any excess silicone. Use Figure 5 as a reference to these steps.

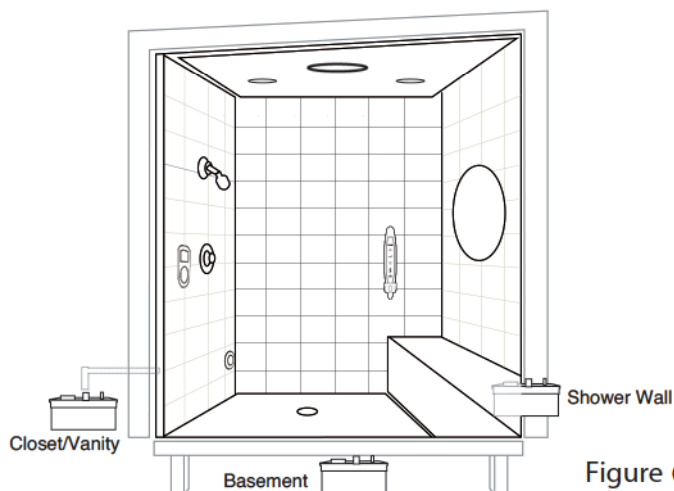
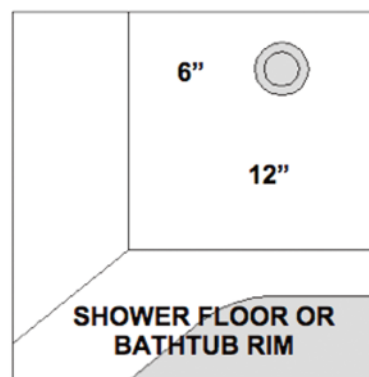


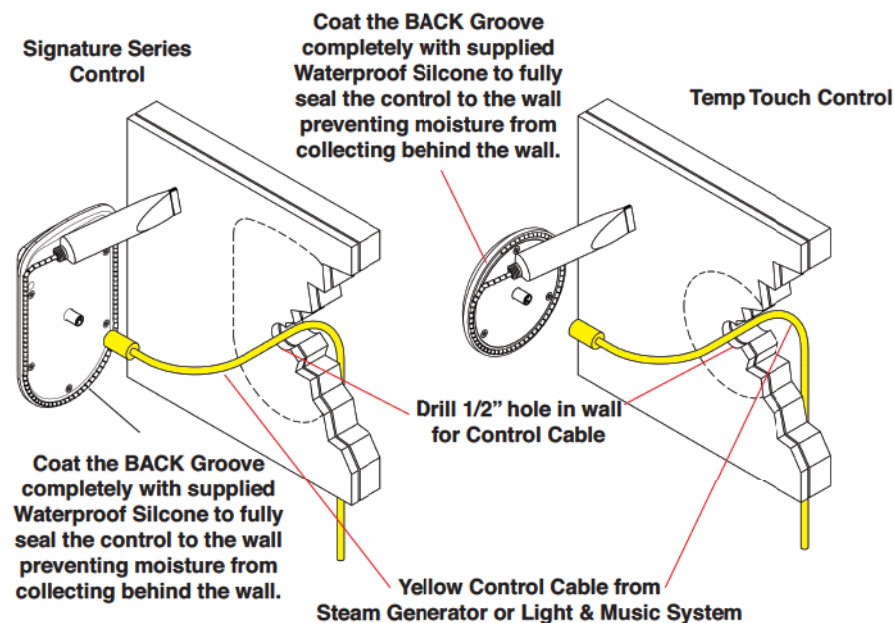
Figure 6



READ WARNINGS ON PAGE 1

Control Installation

1. Make sure that power to the generator is **OFF**
2. Identify control location inside shower, use Template on Page 17B to drill 1/2" hole in shower wall 60" from floor.
3. We suggest running control cable through conduit. Bring the control cable from the generator or Light & Sound System through 1/2" diameter hole. Screw the control cable into control, carefully lining up contact pins.
4. DO NOT pinch, nail, staple, wedge etc. the cable. DO NOT wrap the cable around steam line or otherwise route it in such a manner that the hot steam line could melt the cable. Any damage to the control cable will result in the control not working properly.
5. Carefully connect the other end of the control cable to the generator BEFORE turning power on to the generator (See Pg. 6)
6. **THESE STEPS MUST BE TAKEN FOR CORRECT INSTALL.** Coat the entire groove on control back with supplied waterproof silicone. Completely seal the control to the wall so moisture does not get behind it. Place the control on the wall pressing firmly. You may need to tape the control into place until the silicone dries. Be careful not to harm the wall/control with the tape. Let dry for 24 hours before using steam bath. (ThermaSol recommends one powerflush cycle after every 30 uses or at least twice a year. System will also prompt use when Powerflush is required)
7. Refer to pages 7 - 11 for control functions.



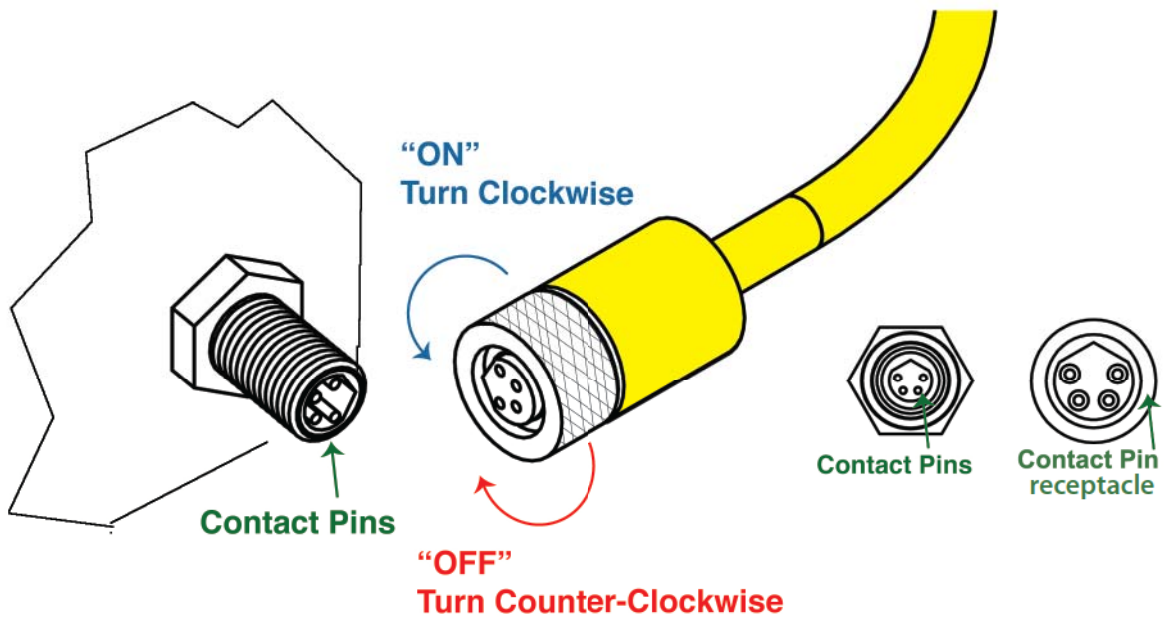
WARNING:

IT IS IMPORTANT THAT NO ONE BE INSIDE THE SHOWER ENCLOSURE DURING THE POWERFLUSH CLEANING CYCLE. IT IS ALSO IMPORTANT THAT THE ENCLOSURE DOOR BE CLOSED DURING THIS CYCLE.

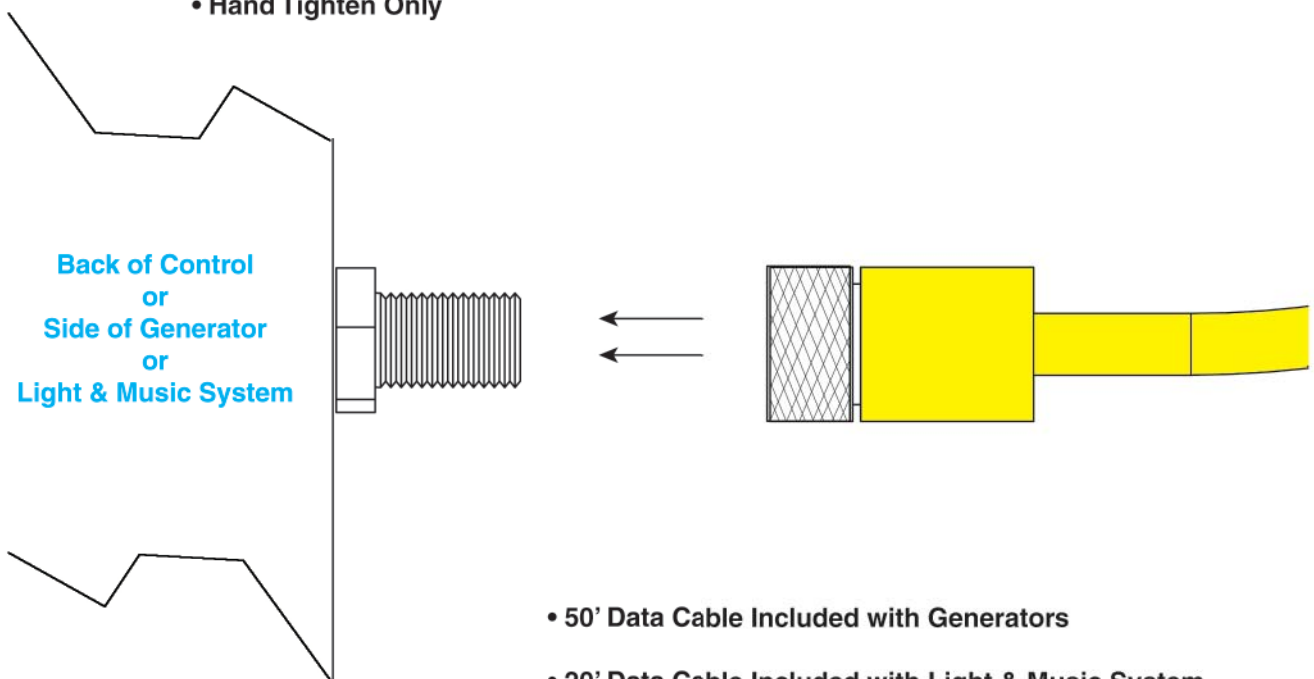


READ WARNINGS ON PAGE 1

Data Cable Connection



- Align Pins to receptacle visually before tightening
- Do Not FORCE Plug
- Hand Tighten Only



- 50' Data Cable Included with Generators
- 20' Data Cable Included with Light & Music System
- Without Light & Music System:
50' Cable goes from Generator to Control
- With Light & Music System:
50' Cable goes from Generator to Light and Music System
20' Cable goes from Light & Music System to Control

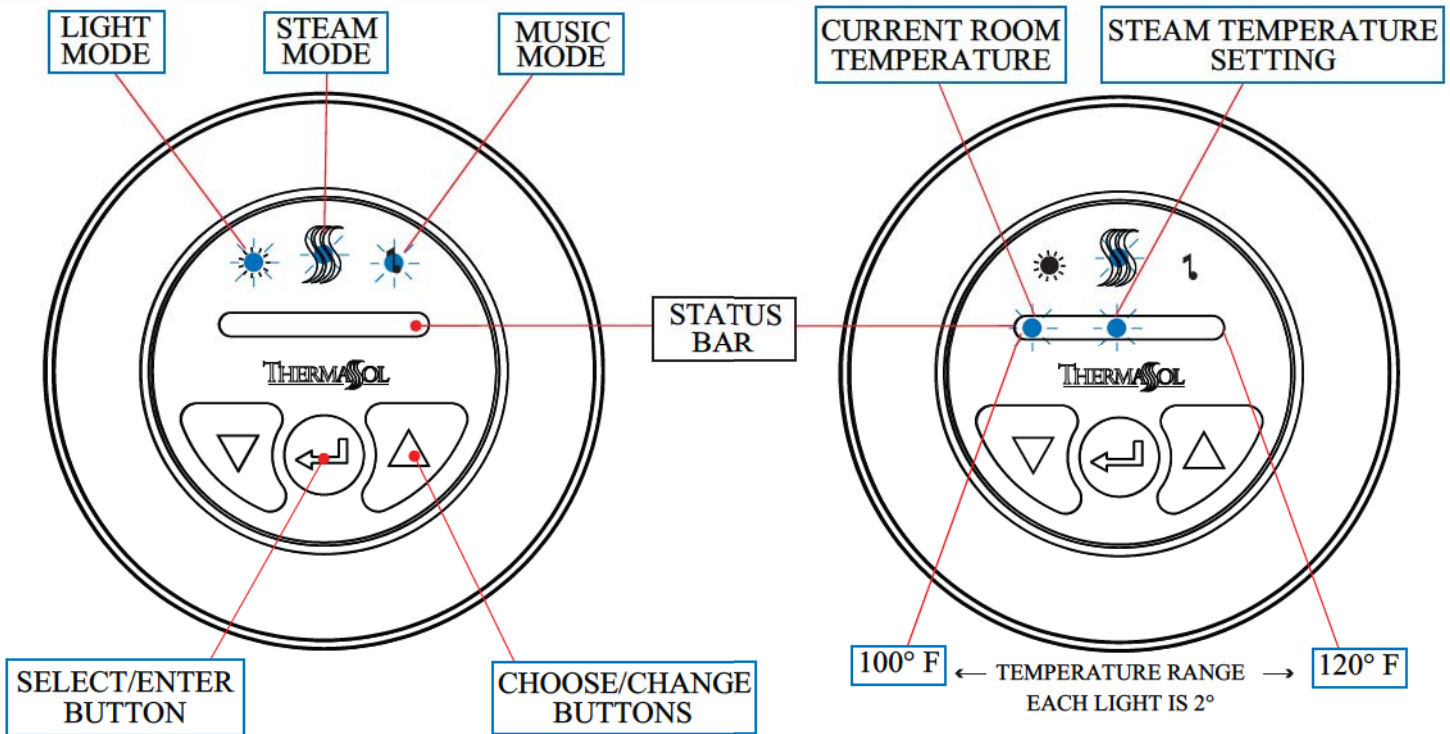


READ WARNINGS ON PAGE 1

Temp Touch Series Functionality

FUNCTIONS

STEAM



QUICK REFERENCE: DOUBLE-CLICK **SELECT/ENTER** BUTTON FOR MAIN MENU - CHOOSE FUNCTION WITH ∇/Δ - THEN SELECT FUNCTION WITH **SELECT/ENTER** BUTTON

START UP

WITH LIGHT & MUSIC SYSTEM

- FROM THE **OFF** POSITION
- PRESS **SELECT/ENTER** BUTTON
- LIGHT & MUSIC WILL TURN ON
- TO ACTIVATE STEAM REFER TO STEAM SECTION ON THIS PAGE

STEAM SYSTEM ONLY WITHOUT LIGHT & MUSIC SYSTEM

- FROM THE **OFF** POSITION
- PRESS **SELECT/ENTER** BUTTON
- STEAM WILL ACTIVATE TO LAST USED SETTINGS

TO TURN ENTIRE SYSTEM **OFF**

- PRESS & HOLD **SELECT/ENTER** BUTTON FOR 2 SECONDS

TO TURN STEAM **ON**

- PRESS **SELECT/ENTER** BUTTON TWICE
- USING THE **UP** OR **DOWN** ARROWS, ∇/Δ SCROLL TO THE STEAM ICON (STEAM ICON WILL GLOW BLUE)
- PRESS **SELECT/ENTER** BUTTON
- THE STATUS BAR WILL FLASH FOR 60 SECONDS, THEN DISPLAY THE CURRENT TEMPERATURE SETTING

SETTING THE TEMPERATURE

- PRESS **UP** AND **DOWN** ARROWS ∇/Δ TO REACH THE DESIRED TEMPERATURE
- STATUS BAR INDICATES THE TEMPERATURE SETTING, LOWEST (LEFT) BEING 100°F, HIGHEST (RIGHT) BEING 120° F (2° INCREMENTS FOR EACH LIGHT)

TO TURN STEAM **OFF**

ONLY IF YOU HAVE L&S SYSTEM

- PRESS **UP** AND **DOWN** ARROWS AT THE SAME TIME

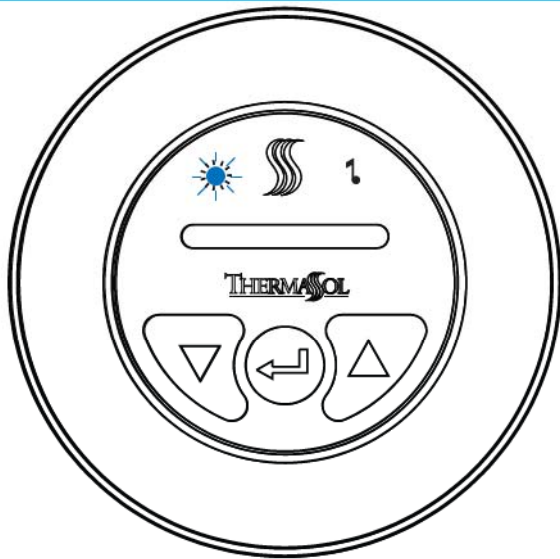
STEAM CYCLE HAS A DEFAULT TIME OF 45 MINUTES, AND 100°, OR 45 MINUTES AND YOUR LAST USED SETTING.



READ WARNINGS ON PAGE 1

Temp Touch Series Functionality

LIGHT



USING LIGHT MODE (LIGHT & MUSIC SYSTEM REQUIRED)

- PRESS **SELECT/ENTER** TWICE
- USING THE **UP** OR **DOWN** ARROWS ∇ Δ SCROLL TO THE LIGHT FEATURE (LIGHT ICON WILL GLOW BLUE)
- PRESS **SELECT/ENTER** BUTTON
- PRESS **UP** OR **DOWN** ARROWS ∇ Δ TO SELECT LIGHT TYPE

SHOWER LIGHT

- THE STATUS BAR PULSES FROM CENTER OUT
- PRESS **SELECT/ENTER** BUTTON

MOOD LIGHT

- THE STATUS BAR IS FLOWING FROM LEFT TO RIGHT
- PRESS **SELECT/ENTER** BUTTON

CHROMOTHERAPY

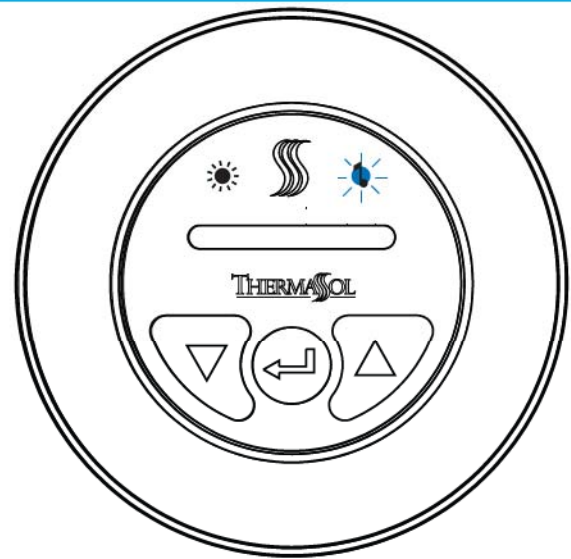
- PRESS **UP** OR **DOWN** ARROW ∇ Δ TO SELECT THE COLOR
- PRESS **SELECT/ENTER** BUTTON

CHROMOTHERAPY CHART	
	Red - Lower Body
	Orange - Pelvis
	Yellow - Belly Button
	Green - Heart
	Blue - Throat
	Indigo - Forehead
	Violet - Top of Head

TO TURN OFF LIGHT

- PRESS **UP** AND **DOWN** ARROWS ∇ Δ AT **SAME TIME** WHILE IN LIGHT MODE

MUSIC




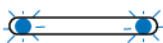

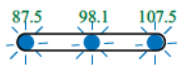
USING THE MUSIC MODE (LIGHT & MUSIC SYSTEM REQUIRED)

- PRESS **SELECT/ENTER** TWICE.
- USING THE **UP** OR **DOWN** ARROWS ∇ Δ SCROLL TO THE MUSIC FEATURE (MUSIC ICON WILL GLOW BLUE)
- PRESS **SELECT/ENTER** BUTTON
- MUSIC WILL BEGIN TO RAMP-UP TO PRESET VOLUME

TO ADJUST VOLUME

- USE THE **UP** OR **DOWN** ARROWS ∇ Δ UNTIL YOU REACH YOUR DESIRED VOLUME
- TO **MUTE** MUSIC FEATURE PRESS **UP** AND **DOWN** ARROWS ∇ Δ AT SAME TIME (VOLUME BAR WILL FLASH)
- TO **UNMUTE** MUSIC FEATURE PRESS **UP** AND **DOWN** ARROWS ∇ Δ AT SAME TIME
- MUSIC WILL BEGIN TO RAMP-UP TO SET VOLUME

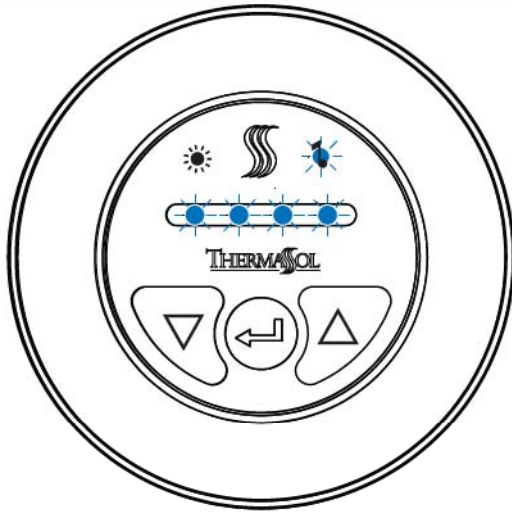
TO CHANGE SOURCE SETTINGS - INPUT 1, 2 OR FM -

- PRESS **SELECT/ENTER** BUTTON ONCE (CURRENT INPUT WILL BE SHOWN)
- USE **UP** OR **DOWN** ARROWS ∇ Δ TO SELECT INPUT SOURCE
- **INPUT CHANNEL 1**  STATUS BAR SHOWS THE CENTER LED LIGHT ON
- **INPUT CHANNEL 2**  STATUS BAR SHOWS TWO OUTER LED LIGHTS ON
- **FM RADIO**  STATUS BAR PULSES FROM OUTER LEDS INWARD
- TO CHANGE FM RADIO CHANNEL - WHILE IN FM MODE - PRESS **SELECT/ENTER** AGAIN
- USING THE **UP** OR **DOWN** ARROWS ∇ Δ FIND AND SELECT YOUR FAVORITE STATION 
- PRESS **SELECT/ENTER** BUTTON TO SAVE STATION AND RETURN TO VOLUME



READ WARNINGS ON PAGE 1

Temp Touch Series Functionality



TO TURN OFF VOICE RESPONSE WHILE IN MUSIC MODE

- PRESS **UP** OR **DOWN** ARROW ▽△ AT SAME TIME FOR 5 SECONDS
- ALL LIGHTS WILL FLASH - THEN RELEASE
- VOICE RESPONSE WILL STATE "VOICE RESPONSE IS OFF"

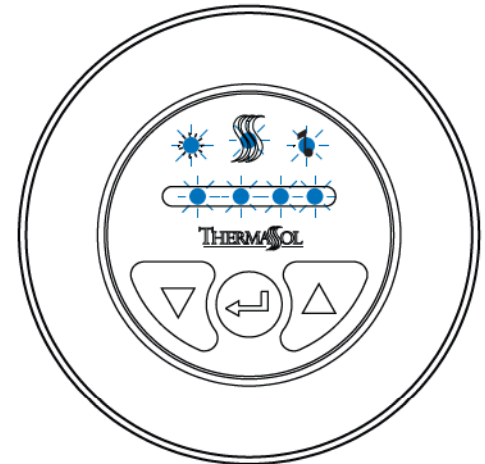
TO TURN ON VOICE RESPONSE WHILE IN MUSIC MODE

- PRESS **UP** OR **DOWN** ARROW ▽△ AT SAME TIME FOR 5 SECONDS
- ALL LIGHTS WILL FLASH - THEN RELEASE
- VOICE RESPONSE WILL STATE "VOICE RESPONSE IS ON"

DIAGNOSTICS

- **ALL LIGHTS ON** - YOUR ROOM EXCEEDS 130°F
- **ALL LIGHTS FLASHING** - LOW WATER
- **FUNCTION LIGHTS FLASHING LEFT TO RIGHT** YOU HAVE A STUCK BUTTON (BUTTON HELD ON FOR MORE THAN 20 SECONDS)
- **ALL FUNCTION LIGHTS FLASH, THEN STATUS BAR FLASHES** - MAINTENANCE LOCK (SEE POWERFLUSH INSTRUCTIONS BELOW)

CALL CUSTOMER SERVICE
PLEASE HAVE SERIAL NUMBER AND DATE CODE AVAILABLE FROM YOUR GENERATOR WHEN CALLING

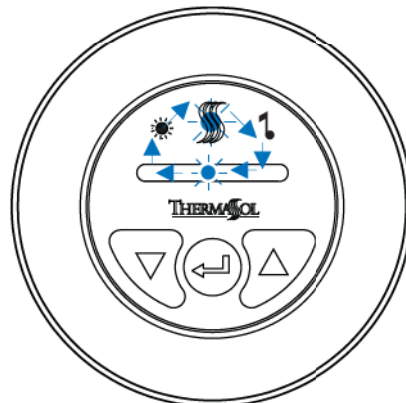
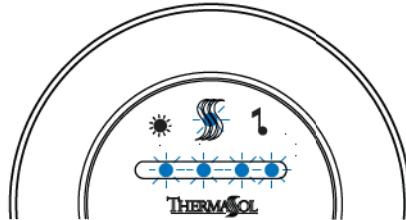


WARNING! WARNING!
IT IS IMPORTANT THAT NO ONE BE INSIDE THE SHOWER ENCLOSURE DURING THE POWERFLUSH CLEANING CYCLE. IT IS ALSO IMPORTANT THAT THE ENCLOSURE DOOR BE CLOSED DURING THIS 50 MINUTE CYCLE.

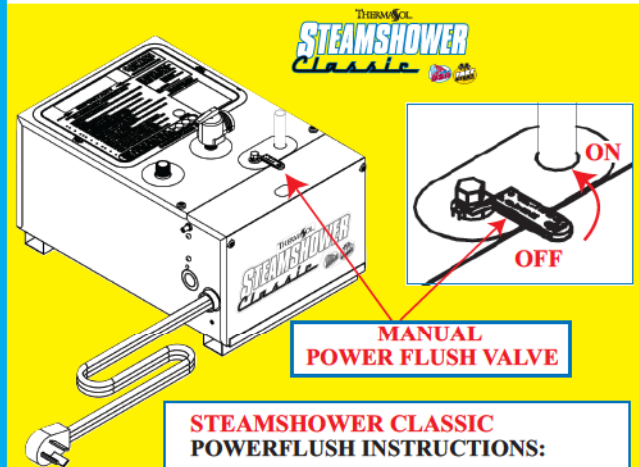
YOUR SYSTEM WILL **LOCKOUT** FOR MAINTENANCE EVERY **1000 MINUTES OF STEAM USE**. THE STEAM FUNCTION LIGHT WILL FLASH, THEN STATUS BAR WILL FLASH

AUTO POWERFLUSH (AF & PRO SERIES ONLY)

- TURN **OFF** YOUR SYSTEM
- PRESS AND HOLD **UP** AND ▽△ **DOWN** ARROWS TOGETHER FOR **10 SECONDS**. THE POWERFLUSH CYCLE WILL BEGIN
- AFTER YOUR POWERFLUSH CYCLE IS COMPLETE; YOUR SYSTEM WILL RESET THE MAINTENANCE TIMER



POWERFLUSH STEAMSHOWER CLASSIC



MANUAL POWER FLUSH VALVE

STEAMSHOWER CLASSIC POWERFLUSH INSTRUCTIONS:

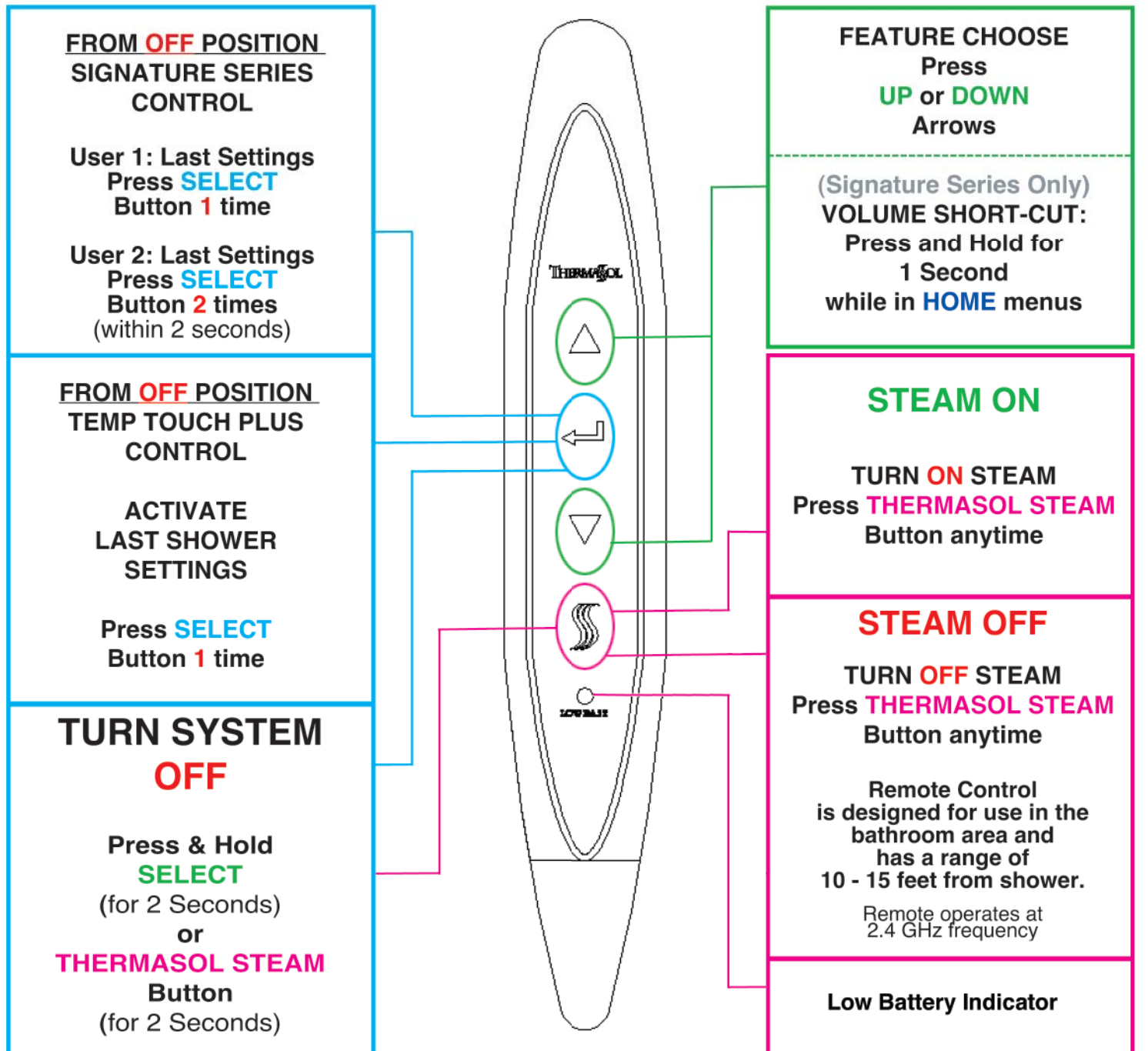
- TURN SYSTEM **OFF**
- GO TO GENERATOR
- OPEN POWERFLUSH VALVE FOR 5 MINUTES
- CLOSE POWERFLUSH VALVE
- PRESS AND HOLD **UP** AND ▽△ **DOWN** ARROWS TOGETHER FOR **10 SECONDS**. THE POWERFLUSH CYCLE WILL BEGIN



READ WARNINGS ON PAGE 1

Serenity Light & Music System Remote Functionality

BASIC ACTIVATION SETTINGS



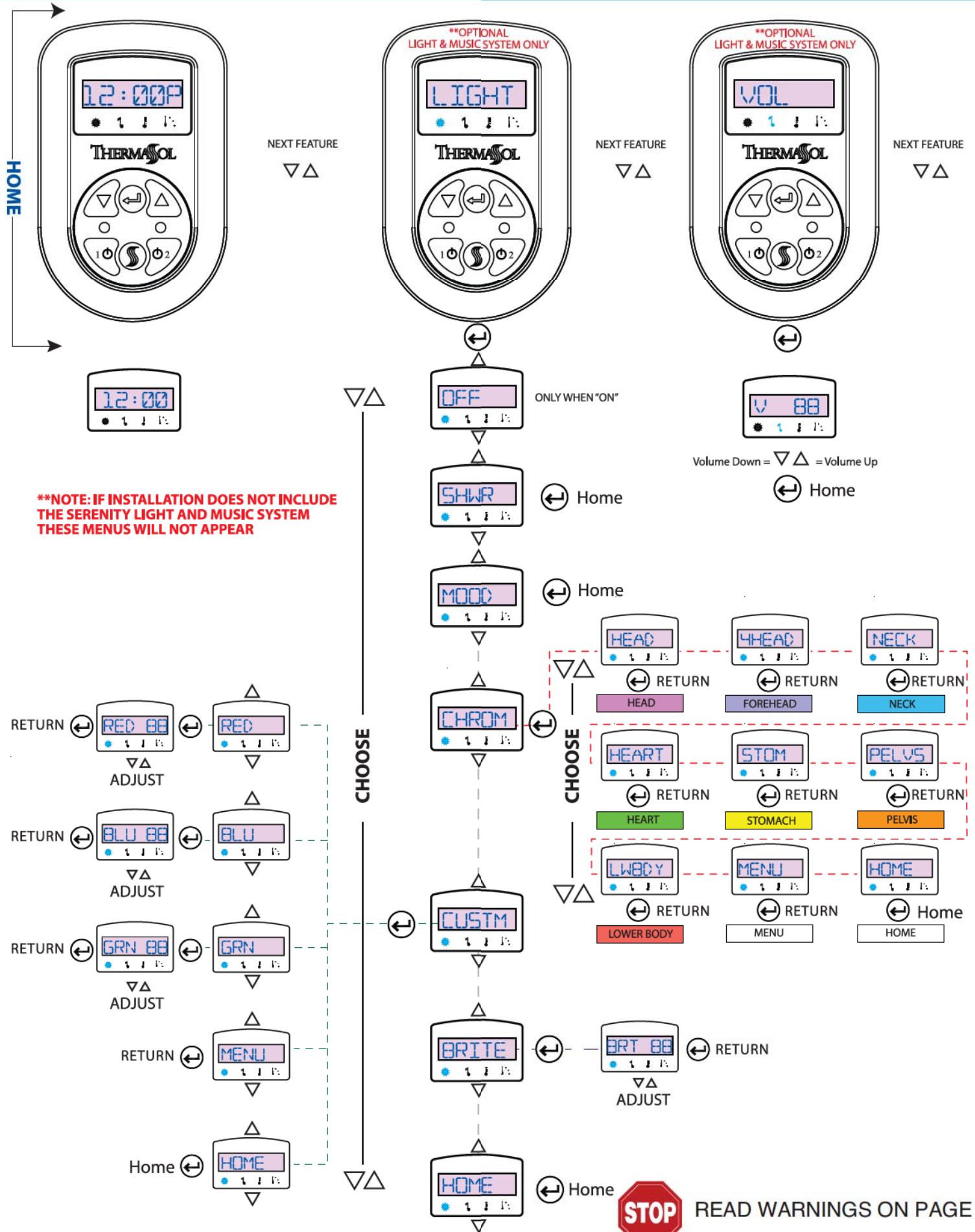
UP or **DOWN** Arrows & **SELECT** Button Operate all functions same as your Temp Touch Plus or Signature Series Controls. As you operate the Remote, the changes will be displayed on your wall-mounted control.

Note: If you Press & Hold the **SELECT** or **THERMASOL STEAM** Single Button for 2 seconds you will **TURN OFF ENTIRE SYSTEM**



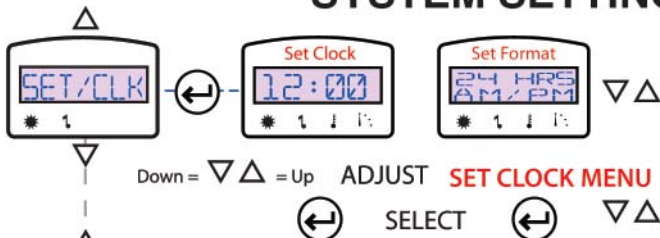
READ WARNINGS ON PAGE 1

Signature Series Functionality



Signature Series Functionality

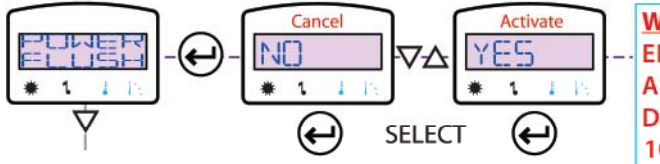
SYSTEM SETTINGS AND DIAGNOSTICS



Hold Select for 2 seconds then press up or down to change from 24 hour time to 12 hour time

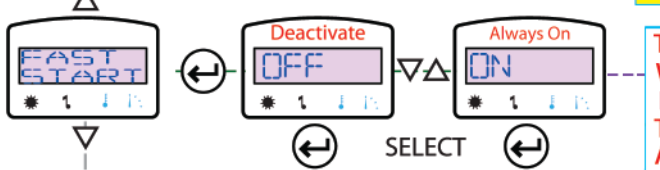
TO ENTER SYSTEM SETTINGS & DIAGNOSTICS: PRESS AND HOLD BOTH ARROWS FOR 5 SECONDS.

TO EXIT SYSTEM SETTINGS & DIAGNOSTICS: PRESS AND HOLD BOTH ARROWS FOR 5 SECONDS OR USE THE HOME FEATURE.

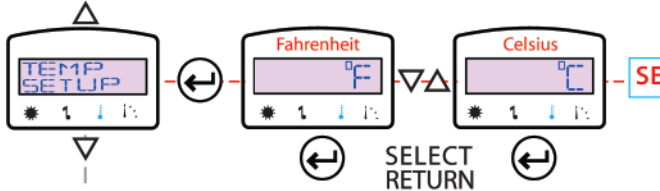


WARNING: IT IS IMPORTANT THAT NO ONE BE INSIDE SHOWER ENCLOSURE DURING THE POWERFLUSH CLEANING CYCLE. IT IS ALSO IMPORTANT THAT THE ENCLOSURE DOOR BE CLOSED DURING THIS CYCLE. (SYSTEM REQUIRES POWERFLUSH LOCKOUT 1000 MINUTES OF USE - 3 WARNING SESSIONS WILL OCCUR)

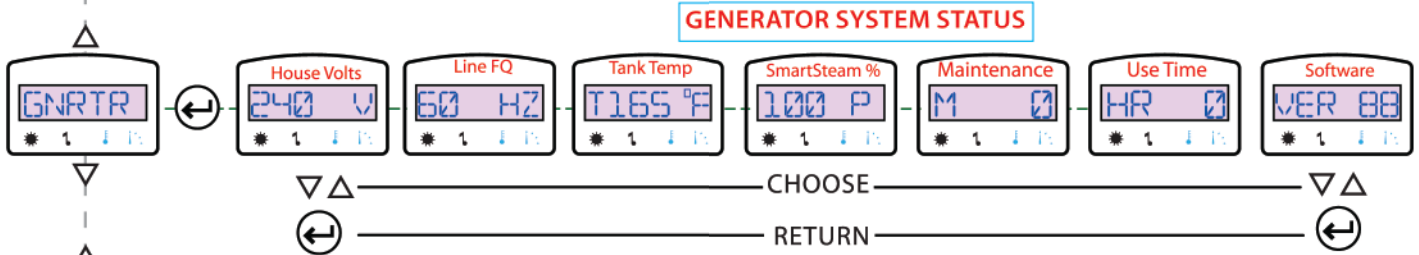
CLASSIC STEAMSHOWER WITH MANUAL POWER FLUSH: SEE PG 9



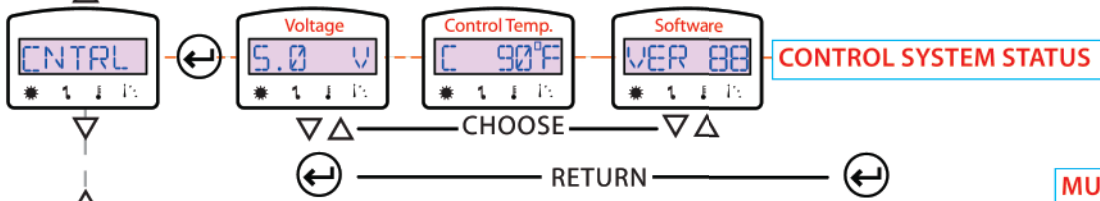
Turns Fast Start either ON ALWAYS / OFF WITH THE FAST START ON YOU WILL GET STEAM IN SECONDS ONCE THE UNIT IS TURNED ON IF THE FAST START IS OFF IT WILL TAKE APPROXIMATELY 6 MINUTES TO SEE STEAM.



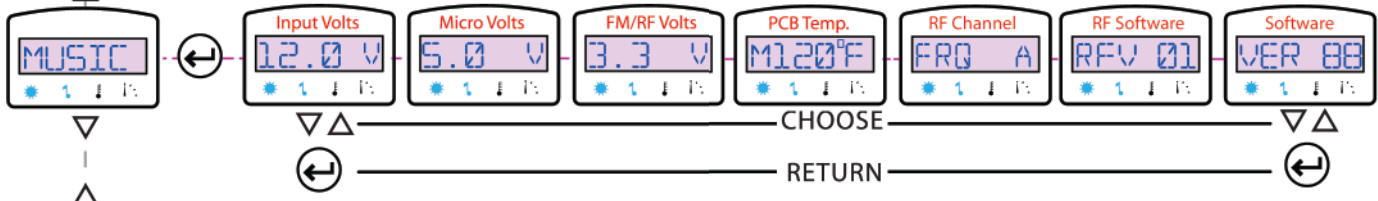
SELECT FAHRENHEIT OR CELSIUS



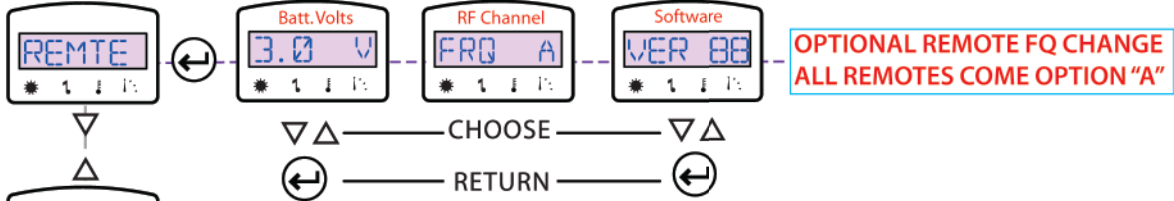
GENERATOR SYSTEM STATUS



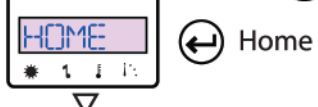
CONTROL SYSTEM STATUS



MUSIC SYSTEM STATUS



OPTIONAL REMOTE FQ CHANGE ALL REMOTES COME OPTION "A"



STOP READ WARNINGS ON PAGE 1



*Please attach your receipt of purchase
to this page for future reference.*

ThermaSol
(800)-776-0711
www.thermasol.com
(Monday – Thursday, 7:00 a.m. to 5:00 p.m. (PST); Friday, 8:00 a.m. – 12:00 p.m. (PST))
2255 Union Place, Simi Valley, CA 93065



Limited Warranties for Original Purchaser

These warranties are nontransferable, valid only for original purchasers of new ThermaSol products from Authorized Dealers, except as provided by law. These warranties are not valid for any product that is sold with a defaced or altered serial number, or for any product that was purchased used, refurbished, reconditioned, "as is," or in unknown condition.

Simply stated, if you do not purchase your ThermaSol products new from an Authorized Dealer, you will have NO WARRANTY*

LIMITED WARRANTY PERIODS

Steam Shower AF 2-YEAR "IN-HOME" LIMITED WARRANTY

ThermaSol extends to the original purchaser a 2-year limited "in home" warranty to repair or replace (at its option) **AF** generator parts manufactured after June 1, 2007 found to have manufacturing defects, and to provide the necessary labor. The warranty expires 2 years after the date of purchase by the original purchaser, after which, only the **FACTORY LIMITED WARRANTY** applies.

PRO SERIES 3-YEAR "IN-HOME" LIMITED WARRANTY

ThermaSol extends to the original purchaser a 3-year limited "in home" warranty to repair or replace (at its option) **PRO SERIES** generator parts manufactured after June 1, 2007 found to have manufacturing defects, and to provide the necessary labor. The warranty expires 3 years after the date of purchase by the original purchaser, after which, only the **FACTORY LIMITED WARRANTY** applies.

LIFETIME "NO QUESTIONS ASKED" – FACTORY LIMITED WARRANTY

ThermaSol shall repair or replace (at its option) the specific failure of any **AF** or **PRO SERIES** generator part manufactured after June 1, 2007 at the ThermaSol factory for as long as the product is owned by the original purchaser. All expenses required to remove and send the unit to the factory, return and reinstall the unit are the responsibility of the owner.

WHAT YOU MUST DO

To obtain warranty service under these warranties: (can be completed online at www.thermasol.com/registration)

1. Provide receipt of purchase or other proof that you are the original purchaser; the product must be located in the United States.
2. The product must be purchased new from an Authorized Dealer. Products purchased used, refurbished, reconditioned, "as is," or in unknown condition are not covered under these warranties, except as provided by law.
3. Complete and return the ThermaSol Registration Card to the address below, provided, however, that depending on applicable state law, failure to complete and return the Card will not diminish your warranty rights.
4. Provide prompt notice of any defect claim within the warranty and provide any substantiation that we may reasonably request.

EXCLUSIONS

These warranties will be terminated by ThermaSol for the following reasons:

1. Improper Installation, such as installation that fails to observe National/Local Plumbing and/or Electrical codes.
2. Use of a residential unit in a non-residential or commercial application, including a hotel.
3. Service to equipment by unauthorized personnel.
4. Installation that does not permit proper access for service.
5. Non-payment of repairs not covered under warranty.
6. Modification to any part of the unit.
7. Use of non-ThermaSol repair parts.
8. Alteration or removal of product serial number.

LIMITATIONS

1. ThermaSol will not be liable in any way for any indirect, special, incidental, exemplary, or consequential damages resulting from the sale, delivery, installation or use of its products. Users are responsible for suitability of the products for their application. Damage resulting from improper specification or application or other operating conditions beyond ThermaSol's control is not under warranty.
2. ThermaSol will exercise reasonable efforts in rendering service under these warranties, but shall not be liable for any damage arising out of delays; these warranties only cover the repair and/or replacement of ThermaSol product as specified by the warranty.
3. ThermaSol does not guarantee that a local service person will be available for in-home service. Unit may have to be removed and reinstalled at owner's expense. It is the responsibility of the buyer to file a claim with the carrier/carriers for any product that has shipping damage to or from ThermaSol. An EVA (Evaluation Number) must be obtained from the factory and used on any correspondence or packages sent to the factory.
4. **THESE WARRANTIES ARE NON-TRANSFERABLE TO ANY OTHER PURCHASER OR PARTY OTHER THAN THE ORIGINAL PURCHASER FROM AN AUTHORIZED DEALER. THESE WARRANTIES ARE NOT VALID FOR ANY PRODUCTS SOLD USED, REFURBISHED, RECONDITIONED, "AS IS," OR IN UNKNOWN CONDITION. NO OTHER AGENT OR PARTY CAN GIVE ANY OTHER WARRANTY OR PROMISE. THESE ARE THE SOLE WARRANTIES FOR YOUR THERMASOL PRODUCT, EXCEPT AS PROVIDED BY LAW.**

These warranties give you specific legal rights and you may also have other rights, which may vary, from state to state. Determination of rights under these warranties is in accordance with the laws of California. Any dispute under these warranties must be submitted and resolved by arbitration in California.

* except as provided by law.

ThermaSol
(800)-776-0711

www.thermasol.com

(Monday – Thursday, 7:00 a.m. to 5:00 p.m. (PST); Friday, 8:00 a.m. – 12:00 p.m. (PST))
2255 Union Place, Simi Valley, CA 93065

THERMASOL[®]

2255 Union Place Simi Valley, CA 93065

• Steam Bath Generators • Steam Bath Fixtures • Accessories

ThermaSol Generator Warranty Registration Card

Home Owners Name: _____ Phone: (____) - ____ - _____

Address: _____ City: _____ State: _____

Zip Code: _____ E-Mail address: _____

Model No.: _____ Date Code: _____ Serial No.: _____

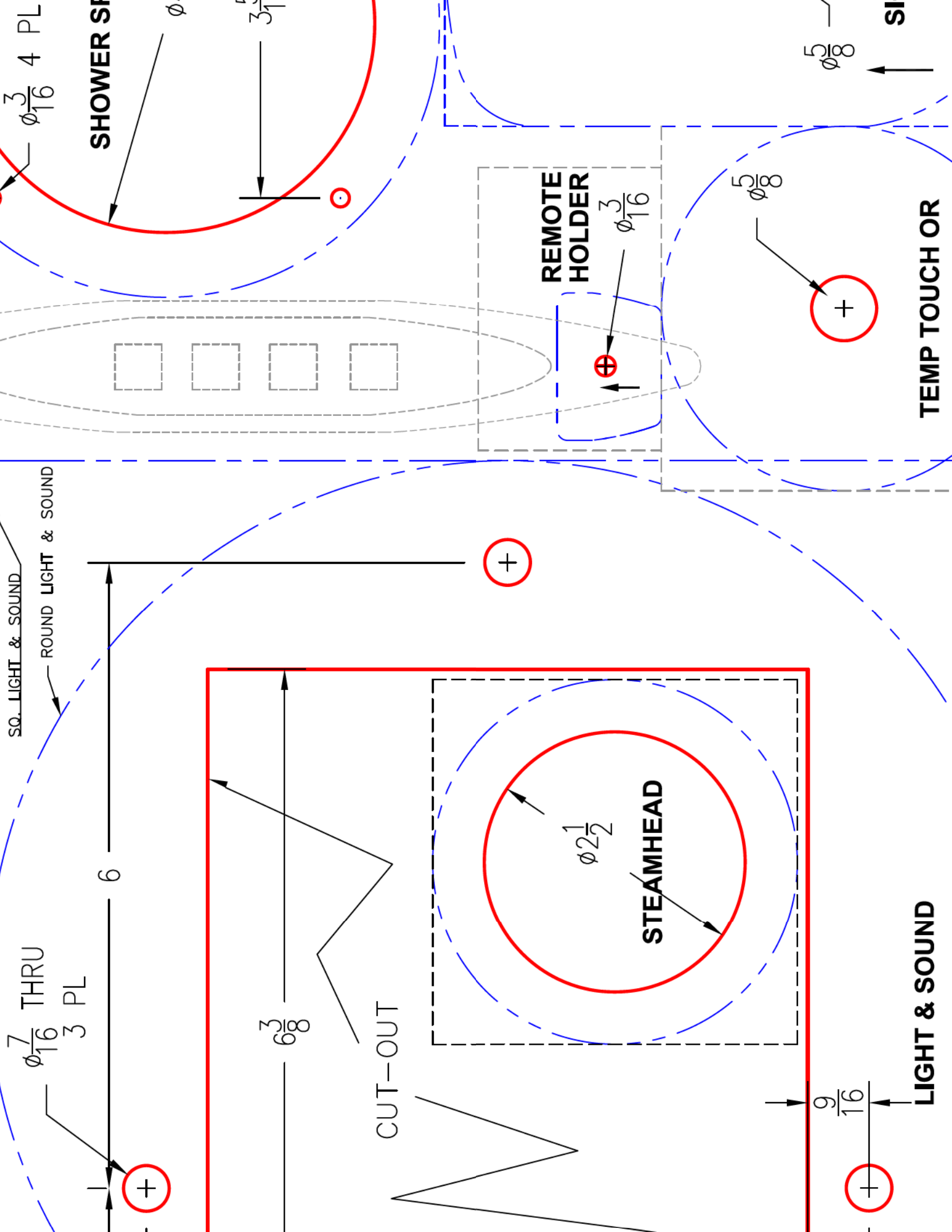
Date of purchase: ____ / ____ / ____ Sales Person Name: _____

Authorized Dealer: _____ Phone: (____) - ____ - _____

Address: _____ City: _____ State: _____

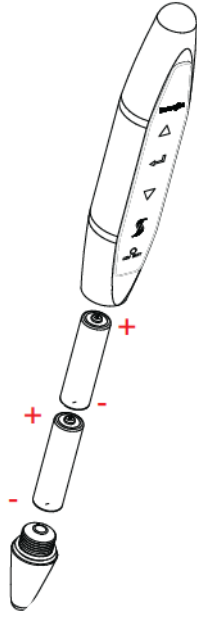
Zip Code: _____ E-Mail address: _____

Signature: _____ Date of installation: ____ / ____ / ____



Serenity Light & Music Remote Installation Instructions

INSTALL BATTERIES



INSTALL BATTERIES

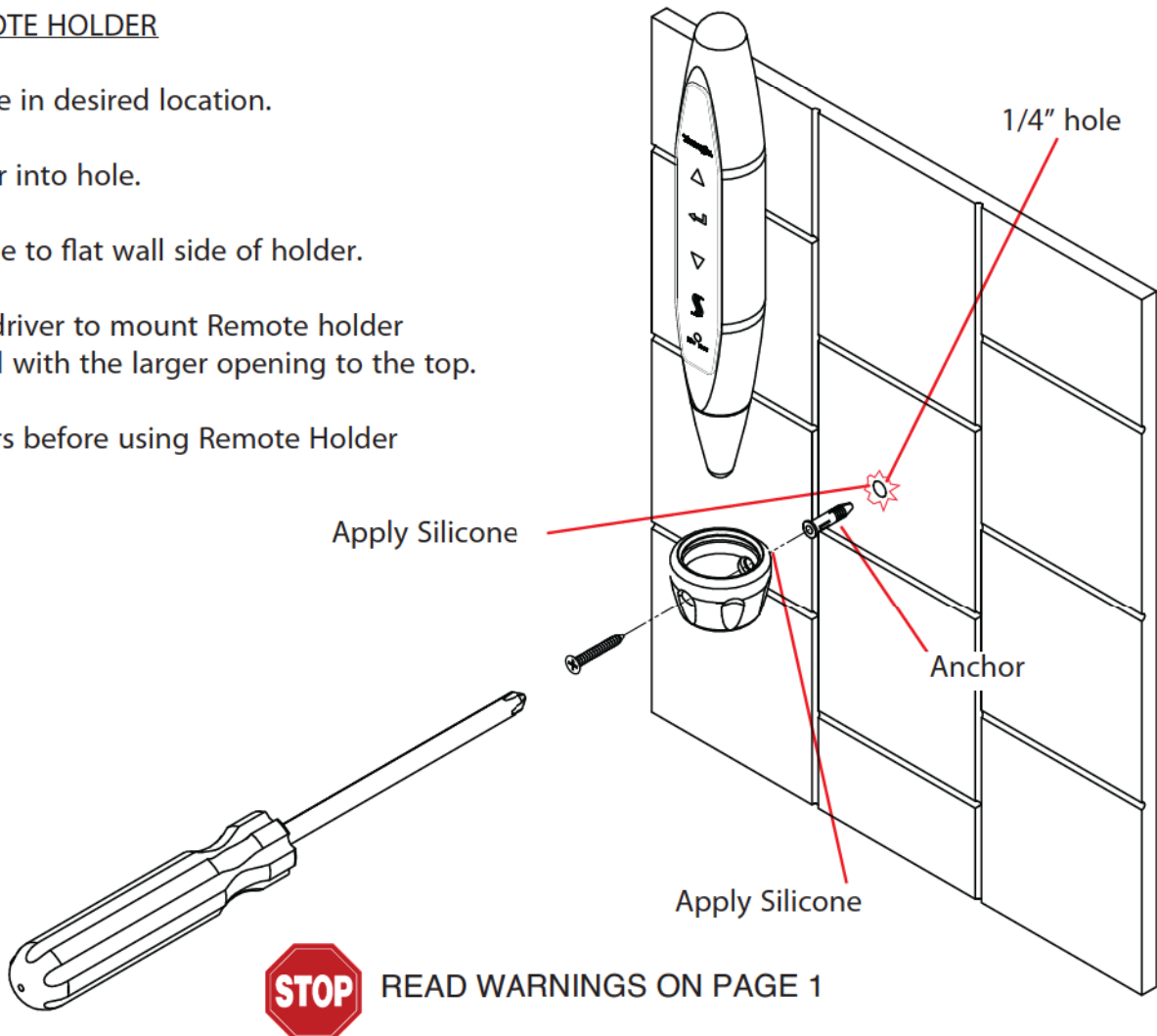
Remove Bottom cap of remote
(cap unscrews)

Insert 2 "AA" Batteries

Close Bottom cap of remote by screwing firmly
back into place. Make sure it is fully seated into
place and sealed.

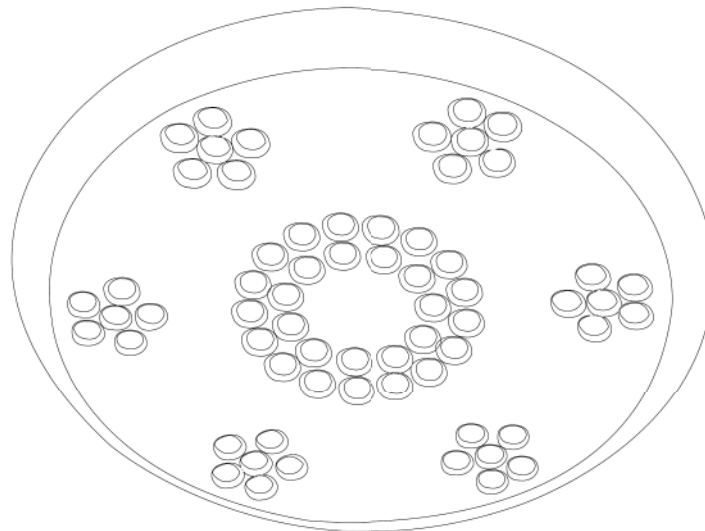
INSTALL REMOTE HOLDER

- Drill 1/4" hole in desired location.
- Insert Anchor into hole.
- Apply Silicone to flat wall side of holder.
- Use a Screwdriver to mount Remote holder to tile or wall with the larger opening to the top.
- Cure 24 hours before using Remote Holder



READ WARNINGS ON PAGE 1

Serenity Light & Music System Installation Instructions



Parts Enclosed:

- Light fixture
- Power supply: 120V Input, 12V Output
- Hardware (3 ea: wingnuts, springs, washers)
- 20 ft. Data Cable
- Clear Silicone
- Installation Guide
- Bluetooth module

Materials Needed:

- Drill
- 7/16" drill bit
- Tile cutter or grinder
- Other materials as required
- Ply Wood Backing Board
- Material/Hardware as Required
- Amplified FM antenna with coax cable
(for best results contact antenna supplier for best antenna location)
- Two sets of RCA audio cables

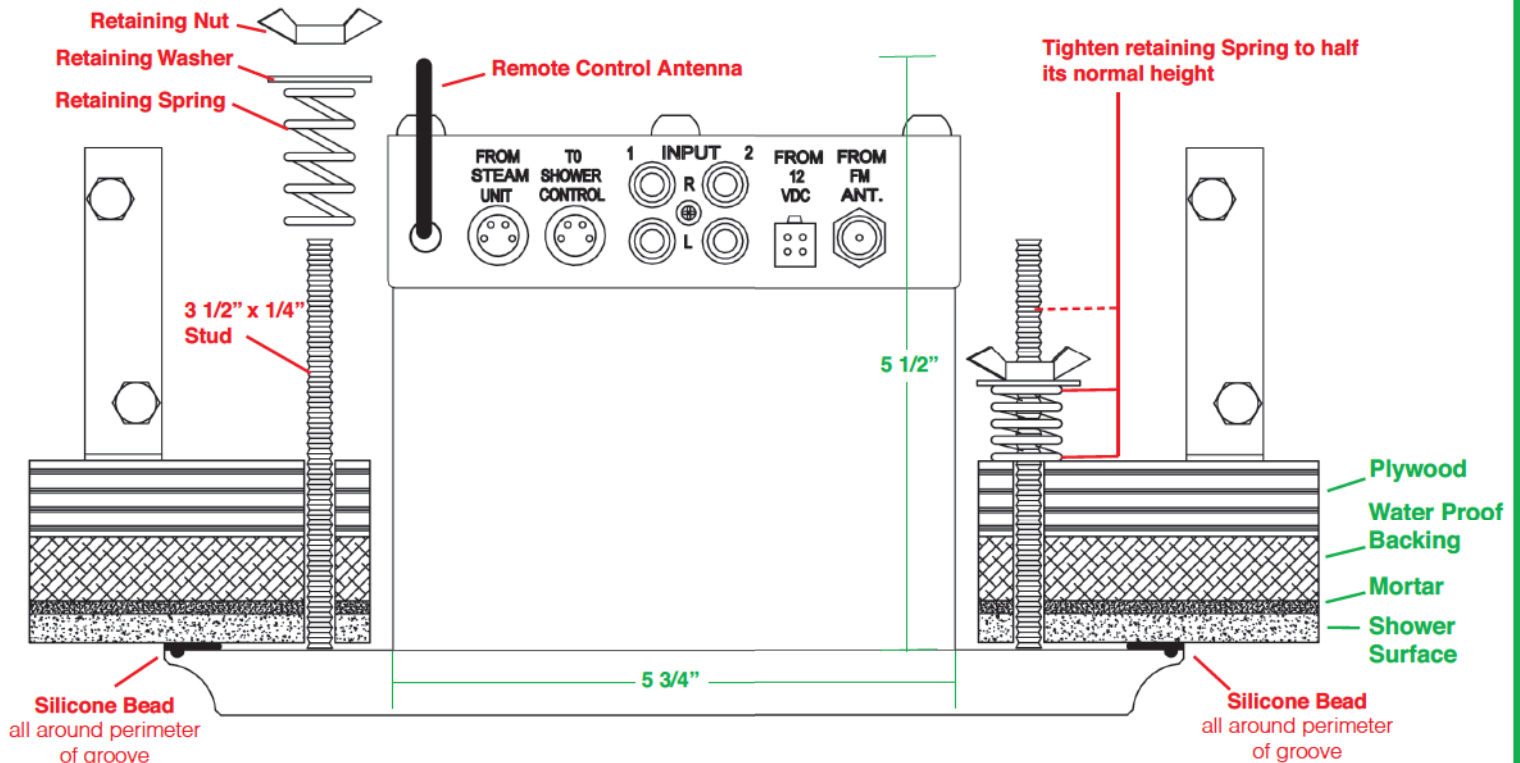


Figure 1



READ WARNINGS ON PAGE 1

Serenity Light & Music System Installation Instructions

1. Cut a hole in desired location, per template located in center of guide on page 17B. Install suitable wood support between joists. Drill three 7/16" diameter through holes for mounting of light assembly.
2. Access to unit from above is required to make all connections. If many different audio devices will be used, run audio RCA type cables to a remote location with easy access such as a closet or vanity.

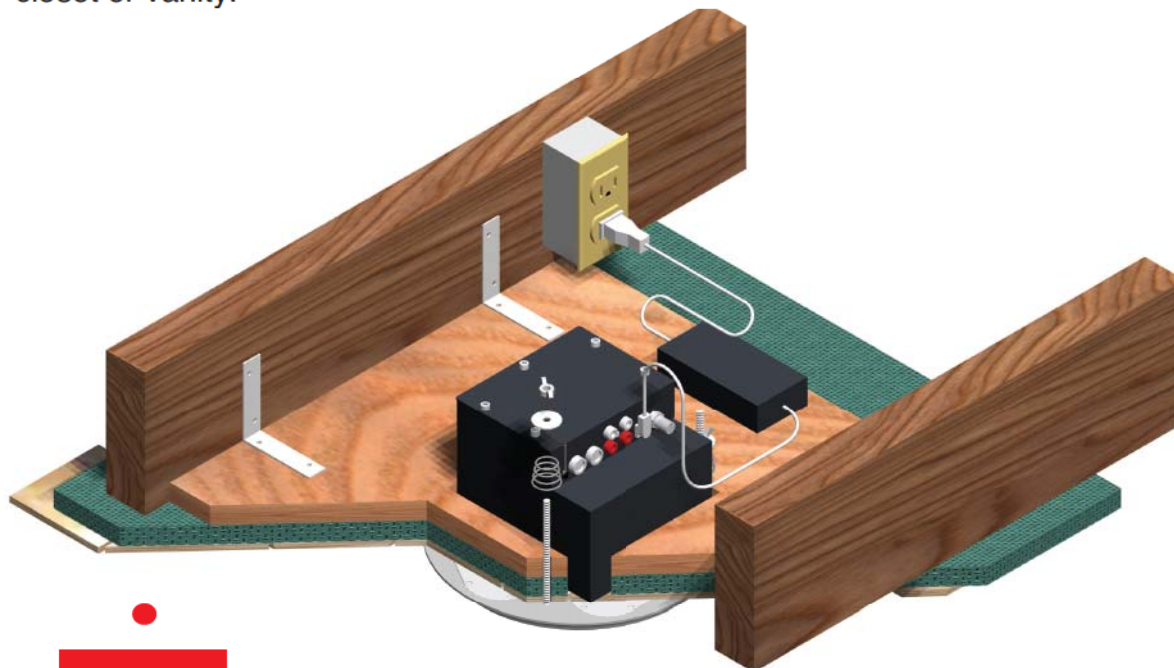
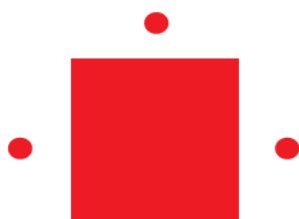


Figure 2



See:
Cut Out Template Page 17B

3. Mount the transformer in a location that is easily accessible for wiring and inspection. Mount in area where it is out of common contact.

- High voltage wires from transformer must be connected to a 10 amp minimum, 110 VAC receptical. Installation must follow national and local building code

WARNING

**Make sure there is no insulation or combustible material within 8 inches of the transformer.
No material should touch the transformer.**



READ WARNINGS ON PAGE 1

Serenity Light & Music System Installation Instructions

4. Apply silicone around center of groove on back of Light. Push fixture tight against ceiling as shown in Figures 1 & 2, having a helper overhead to install and tighten springs, washers and wing nuts. Tighten nuts until springs are compressed half way. Allow silicone to dry for 24 hours.

5. Connections (Figure 3):

- A. Remote Control - Connect supplied remote 2.4 GHz Antenna
- B. From Steam Unit - Connect 50' data cable from steam generator
- C. To control - connect 20' Data cable from in shower control
- D. Input 1 - (R & L) connect right & left outputs from audio device 1
- E. Input 2 - (R & L) connect right & left outputs from audio device 2
- F. From 12 VDC - power supply output 4 conductor
- G. From FM antenna - connect coaxial amplified or non-amplified 75Ω FM Antenna

Note: Portable audio players such as mp3 players, may require docking type station for adaption to stereo (RCA) output

6. Connect Shower Light Transformer to an 110V power source.

7. Turn Power **ON** to Generator

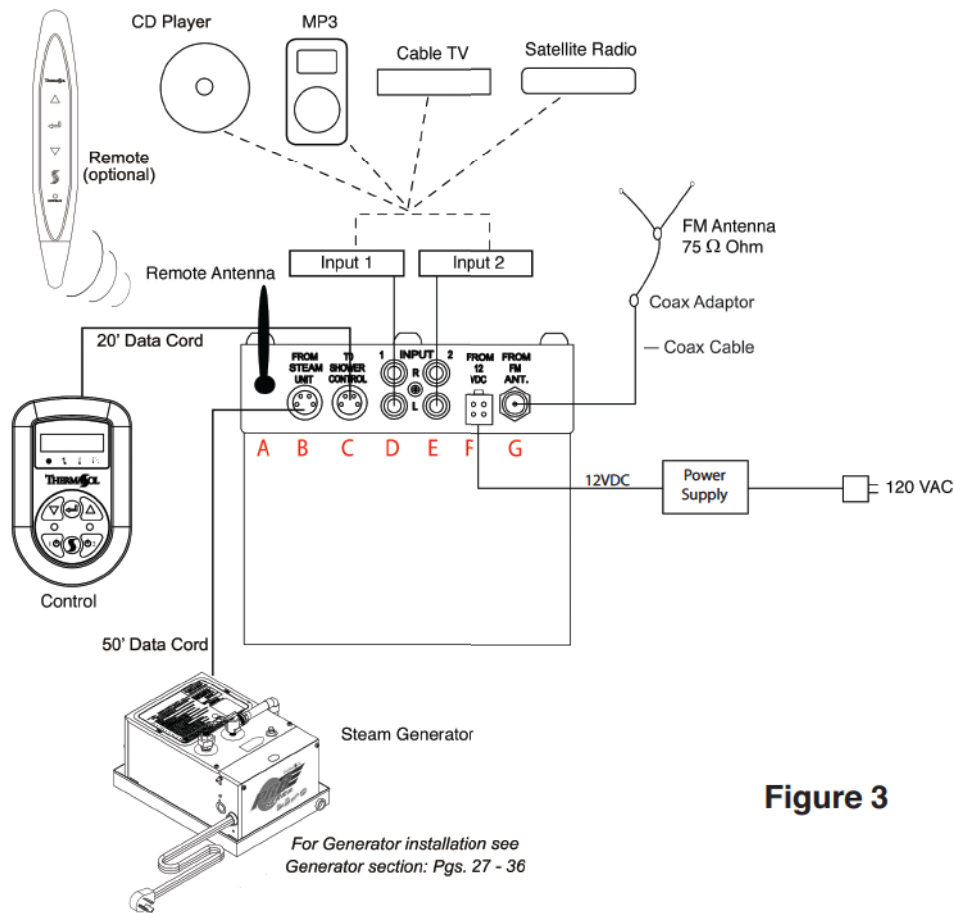


Figure 3



READ WARNINGS ON PAGE 1

Shower Speaker Installation Instructions

Speaker specifications

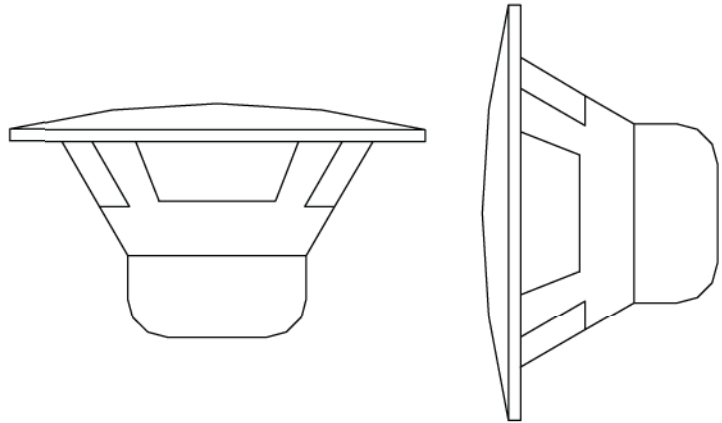
- Impedance, 4 Ohms
- 100Hz ~ 20k Hz response frequency
- 40 Watt Max Input, 20 Watt Rated input
- Frequency response 75-22,000 Hz

Parts Enclosed:

- 2 – 4” full range speakers
- 4 – # 8 x 1” Mounting screws
- 2 – 9 feet speaker wire patch cables

Material Needed:

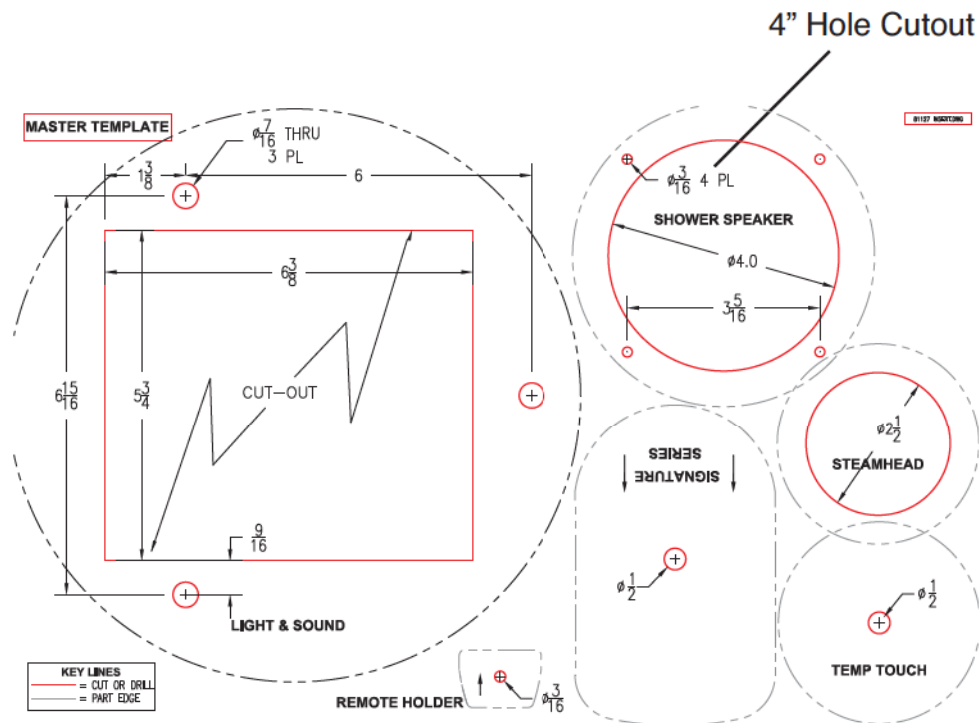
- 4” hole saw bit (or tile cutting bit)
- Drill
- Phillips screw driver
- Wire strippers
- Other Tools as required



WARNING

Ensure that all existing electrical wiring and plumbing is clear of desired holes to drill for mounting of speakers.

1. Use the attached template (Pg.17) to assist in mounting your ThermaSol speakers.
2. Once you have the two templates cutout, attach them to the mounting surface with adhesive tape in your desired locations. Be sure to use an adhesive that doesn't damage the underlying material.
3. Follow the notes on the template picture below for correct location and use. Use template on Page 17



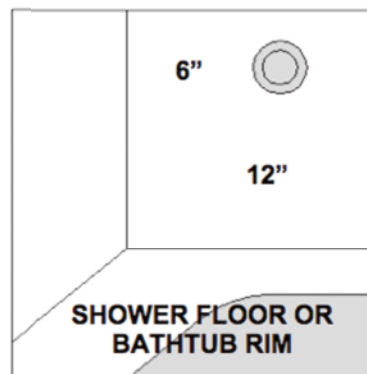
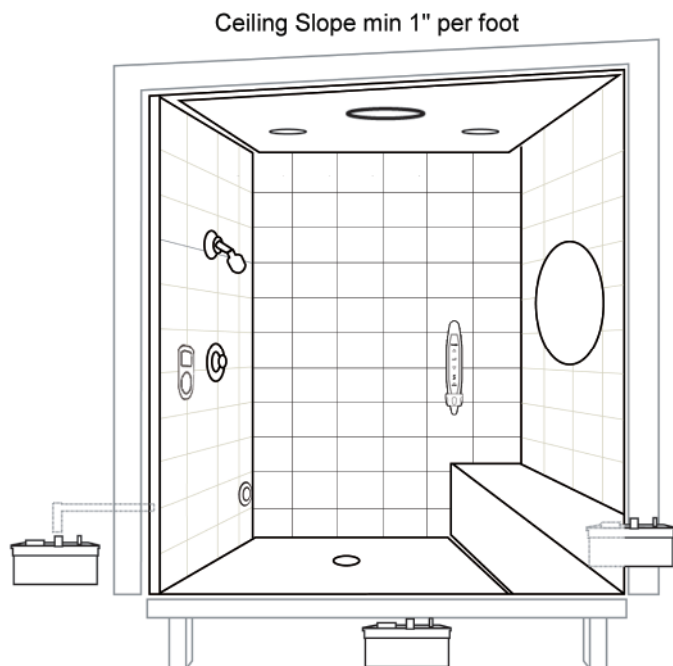
Template located
on
page 17



READ WARNINGS ON PAGE 1

Generator Installation

Steamroom Sizing



WARNING

The Steamhead is HOT!
Do not install Steamhead near a seat or bench. Hot steam will burn you. Keep at least 12-14 inches away from hot steam exiting the Steamhead.

IMPORTANT

Install the Steamhead 12" off the shower floor or bathtub rim and 6" from any corner. Steamhead is to be mounted as far as possible from typical bathing position (seated or standing) and as far from control as possible while maintaining a 60" control height.

Simple Sizing: L x W x H = Cubic Feet

Then choose the appropriate Model. No complicated formulas. It's that simple. For every foot of ceiling height over 8 ft. (always round up) use the next larger steam unit. Wall material irrelevant. (See Table 1)

PRO SERIES (AUTO FLUSH- SMART STEAM W/FAST START)	CU FT	AMP @240VAC	WIRE	BKR	PH	KW
PRO-84	84	28	10	30	1	6.0
PRO-140	140	37	8	40	1	8.0
PRO-240	240	46	8	50	1	10.0
PRO-395 *	395	55	6	60	1	12.0
PRO-500 *	500	69	4	90	1	15.0
PRO-650 *	650	92	0	100	1	20.0
PRO-850 *	850	110	0	120	1	24.0
PRO-1150 *	1150	138	0	150	1	30.0
STEAM SHOWER AF SERIES (AUTO FLUSH W/FAST START)	CU FT	AMP @240VAC	WIRE	BKR	PH	KW
SSA-ACR	ANY ACRYLIC UNIT	17	10	20	1	3.5
SSA-84	84	28	10	30	1	6.0
SSA-84-3	84	14	10	20	3	5.5
SSA-140	140	37	8	40	1	8.0
SSA-180-3	180	24	10	30	3	9.0
SSA-240	240	46	8	50	1	10.0
SSA-395 *	395	55	6	60	1	12.0
SSA-395-3	395	32	8	40	3	12.0
SSA-500 *	500	69	4	90	1	15.0
SSA-500-3	500	40	8	50	3	15.0

* Units over 12kw single phase must be hardwired

Table 1



READ WARNINGS ON PAGE 1

Generator Installation Instructions

Note: Failure to follow installation instructions specifically **will cause the warranty to be void.** Unit must be installed by a licensed contractor and all local codes are to be followed.

Parts Enclosed

- No Touch Steamhead housing
- Steam generator
- Smitty pan (included with Pro Series) otherwise required
- 50 foot control data cable
- Installation Instructions & warranty info
- Static cling warning label
- Inline water screen kit

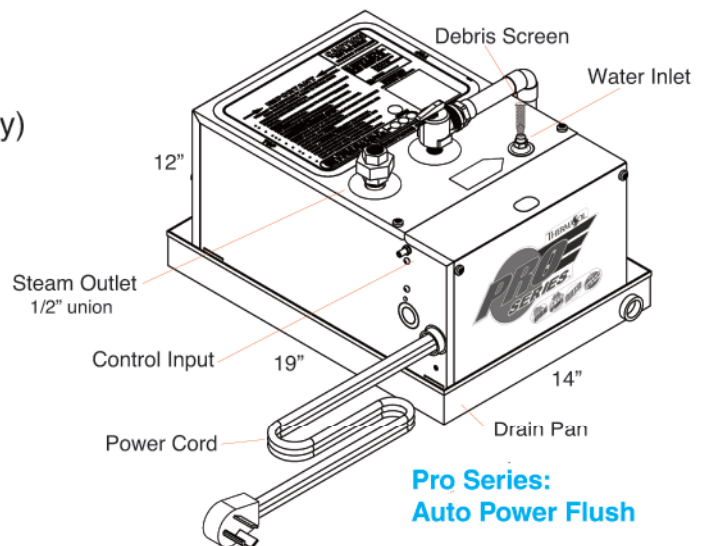
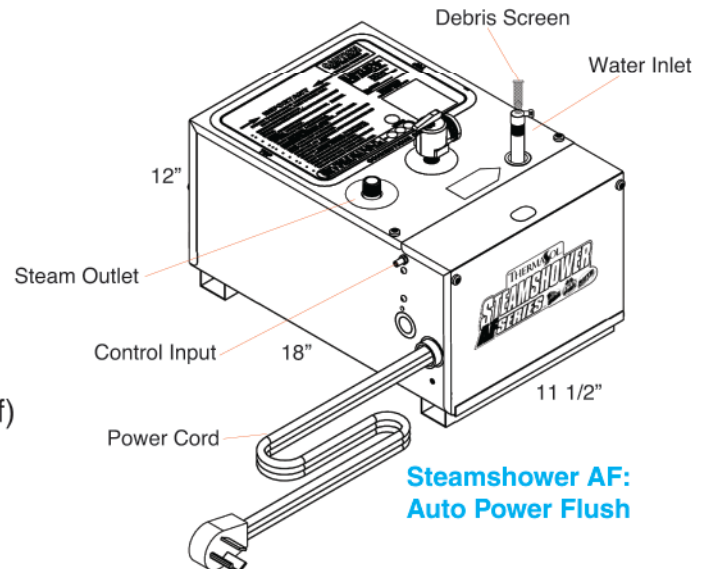
All ThermaSol steam generators are designed to build **NO PRESSURE** during operation. This is for your safety.

Materials Needed

- Brass ball valve (for water supply shut off)
- Pipe compound
- Copper or brass fittings & nipples (sizes and quantities per instructions)
- In-line water filter (recommended)
- Wire (sizes and quantities per instructions)
- Copper tubing or pipe
- Wire cap nuts
- Flex conduit (for units 12KW and above)
- Brass or copper tee connection & plug
- Silicone
- Smitty pan (included with Pro Series Only)
- Other materials as required

Tools Needed

- Pipe wrench
- Tubing cutter
- Wire cutters or wire strippers
- Adjustable wrench
- Screwdrivers (Phillips & regular)
- Solder & Flux
- 1-1/16" masonry drill bit
- 2-1/2" hole saw for NoTouch Steamhead
- Drill motor
- Propane torch
- Other tools as required



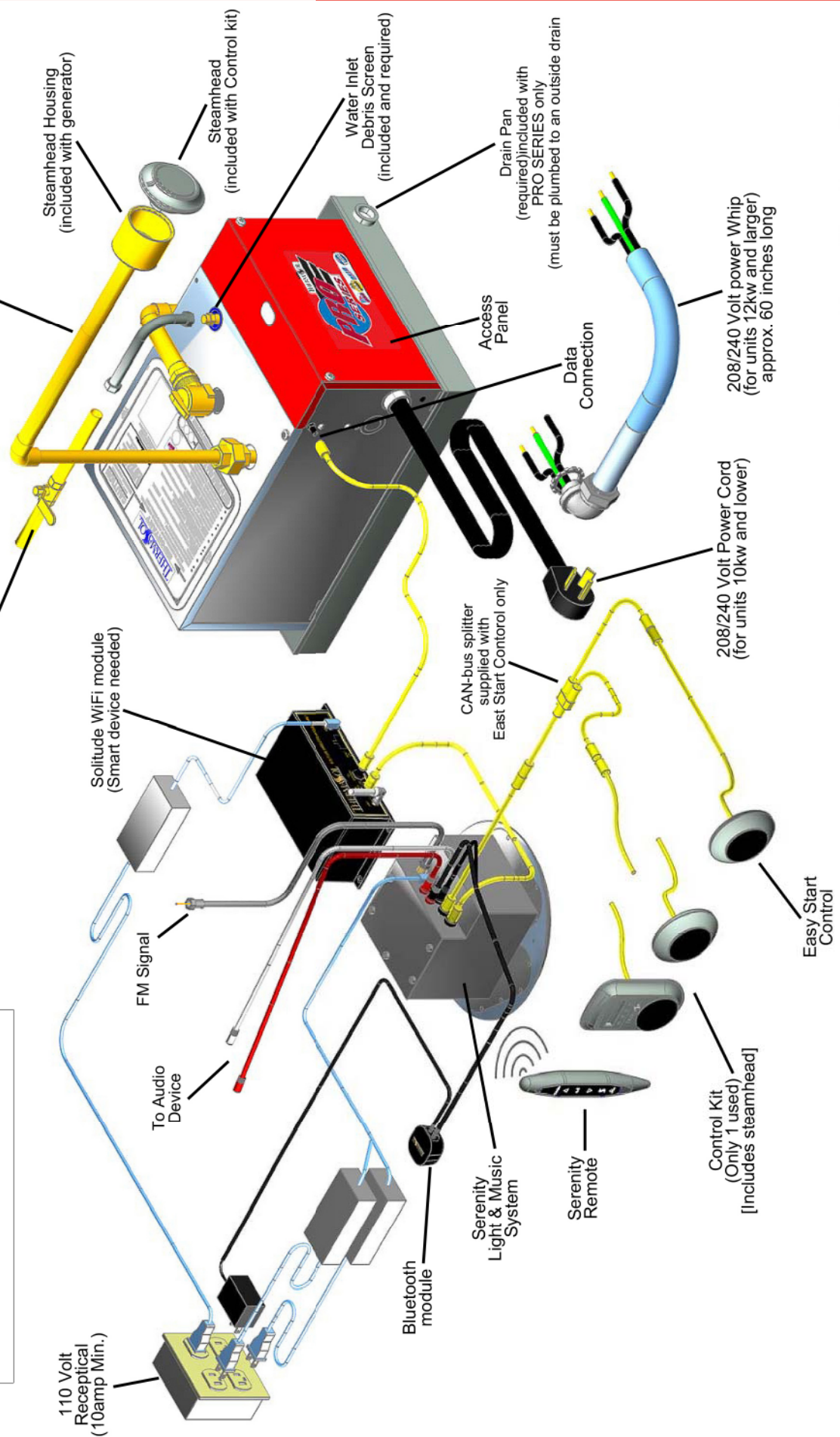
READ WARNINGS ON PAGE 1

Typical Full Function System

DIMENSIONS
 Pro Series with Pan - W14" x L 19" x H 12"
 Classic & AF - W 11 1/2" x L 18" x H 12"

PRO models 650, 850, & 1150 require 3/4" copper pipe steam lines. All other models use 1/2" copper pipe Steam lines. SEE NOTE ON PAGE 3 DO NOT PLUMB TRAP

3/8" Copper line only with water shut off valve (not included)



110 Volt Receptical (10amp Min.)

Solitude WiFi module (Smart device needed)

FM Signal

To Audio Device

Bluetooth module

Serenity Light & Music System

Serenity Remote

Control Kit (Only 1 used) [Includes steamhead]

Easy Start Control

CAN-bus splitter supplied with East Start Control only

208/240 Volt Power Cord (for units 10kw and lower)

208/240 Volt power Whip (for units 12kw and larger) approx. 60 inches long

Steamhead Housing (included with generator)

Steamhead (included with Control kit)

Water Inlet Debris Screen (included and required)

Drain Pan (required)included with PRO SERIES only (must be plumbed to an outside drain)

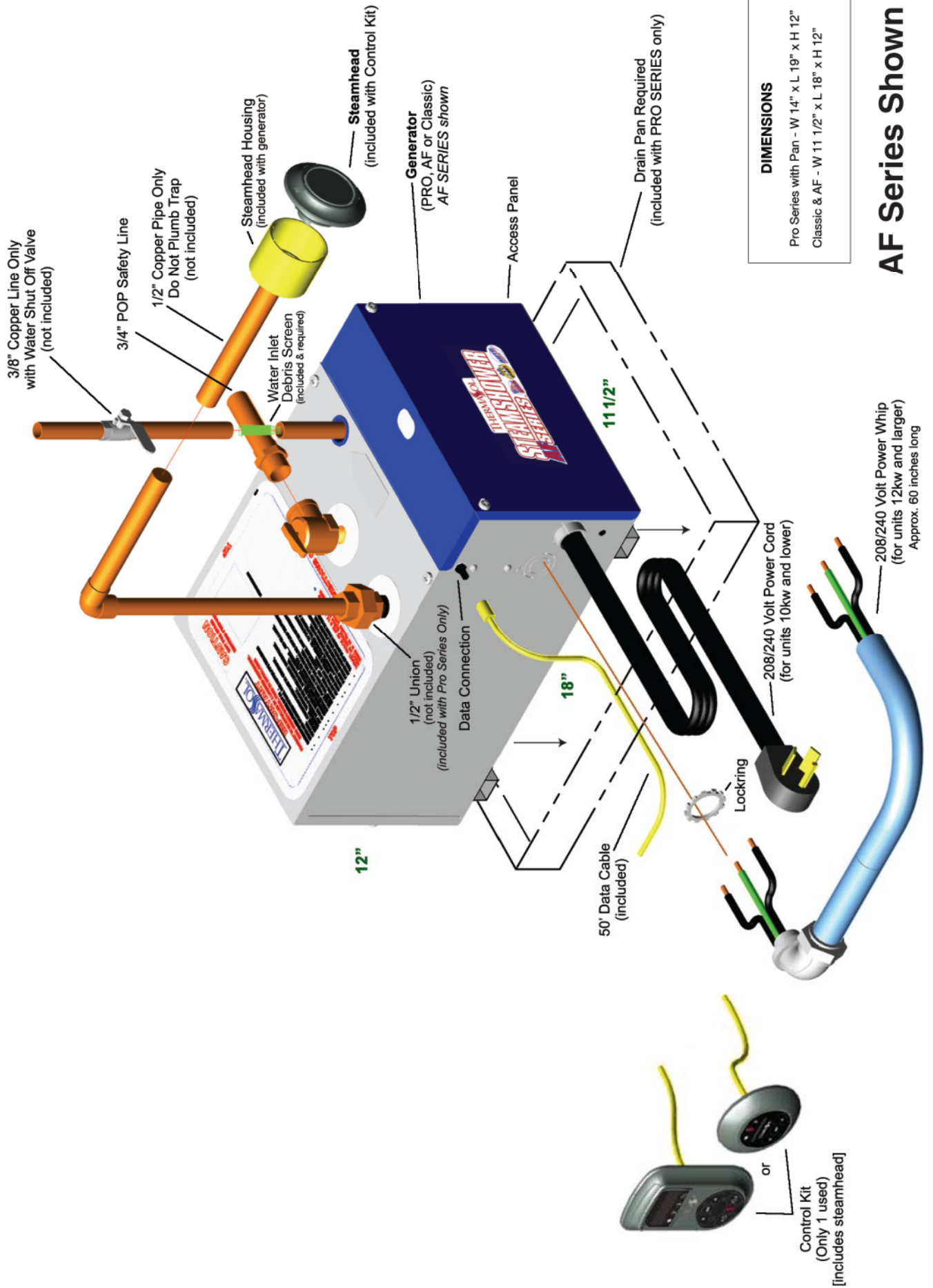
Access Panel

Data Connection

Pro Series Shown

Generator Installation Instructions

Typical Steam Only System



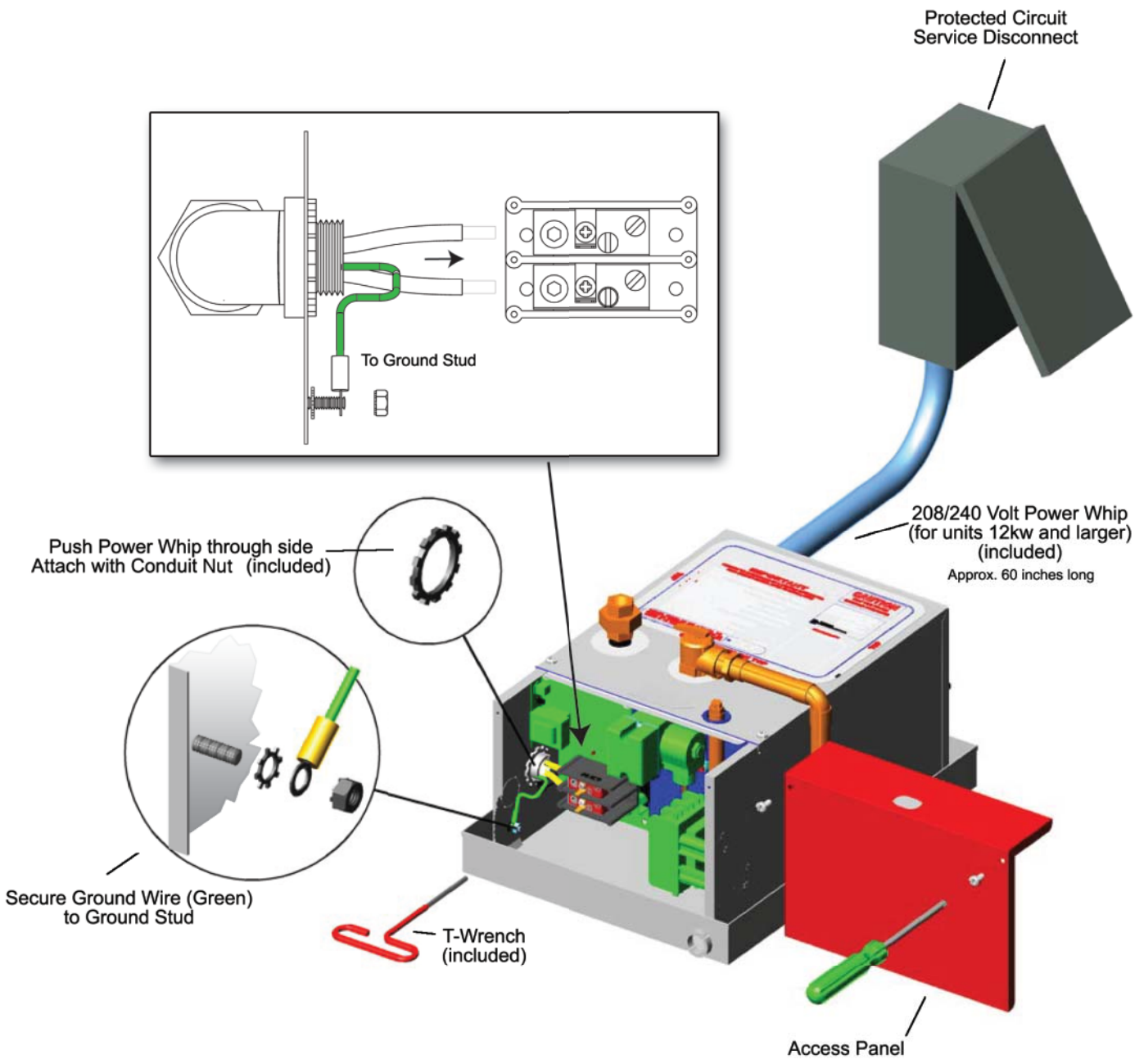
DIMENSIONS

Pro Series with Pan - W 14" x L 19" x H 12"
 Classic & AF - W 11 1/2" x L 18" x H 12"

AF Series Shown

Generator Installation Instructions

For All Generators 12kw & Larger



READ WARNINGS ON PAGE 1

Generator Installation

Requirements For Proper Installation

1. **Ensure the steamroom to be used is vapor proof.** It should have a vapor proof door that seals well so the steam does not escape. Make sure the walls, ceiling and floor materials are suitable for use with steam and hot condensation produced.
2. Unit may be installed up to 50 feet away from steam room and must be in a dry, non-combustible well ventilated Space 6" clearance around generator. Add slope of 1"/foot.
3. Use copper or brass fittings only (**NEVER USE GALVANIZED FITTINGS**).
4. The water inlet uses 3/8" flex hose on Pro Series. For other models, use 3/8" NPT. The steam outlet has a 1/2" brass union for easy installation (Models 650, 850, 1150 not included).
5. The **generator must be upright, accessible and on a level surface** with **all** connections on top. Access panel must be unobstructed and allow for easy access.
6. Place the Smitty Pan under the unit. Plumb the 3/4" drain connection on pan to an approved drain (Smitty Pan included with Pro Series - plumber supplied otherwise). Smitty pan must be installed in all generator installations.
7. Connect a tee to the cold water line. Install copper pipe to the tee.
8. Install a brass shut-off valve on the water inlet line in an accessible area prior to the brass union and recommended in-line water filter.
9. Insert water line debris screen (included).
10. Before making the water connection, flush the water line into a five-gallon pail to remove any silt or other materials that may be in the water inlet line.
11. Make the final connection and turn on water. All ThermaSol generators are equipped with an automatic water fill system. The water will stop after unit is filled.
12. The steam line can run up, down once, or horizontal; but **never run down and then up**. If it does, a steam trap will be produced at the low point blocking the flow of steam. **Do not** plumb a trap in the steam line. Insulate the steam outlet piping if the piping run exceeds 10 feet or is exposed to cold areas.

Note: Use steam rated insulation.

13. **Do not plumb** the pressure relief valve into the steam line. Plumbing the pressure relief valve into the steam line can be hazardous, should the steam outlet be capped off or obstructed.
14. Pitch/angle steam lines back towards generator before any up or down turns - pitch/angle towards steam room after any up or down and avoid perfectly level plumbed lines. Do not plumb any traps.
15. Make sure water is turned on to unit before supplying power to the unit.

Note: Failure to follow installation instructions specifically will cause the warranty to be void.



READ WARNINGS ON PAGE 1

Generator Installation

Note: All electrical wiring must be done per National/Local Electrical Codes.

**** ThermaSol requires that a licensed electrician perform all electrical work. ****

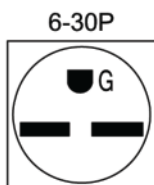
Note: USE COPPER WIRE ONLY.

Wire sizes recommended by NEC (2002 Version). Minimum wire temperature rating 90°C. Type THHN.

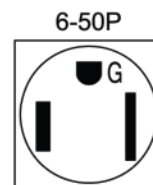
Electrical Questions? Call 800-776-0711 for Technical Support.

Warning: Each generator should be wired to their own separate breaker.

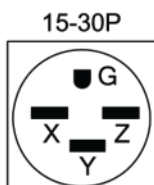
1. Turn off all electricity to the working area at the main breaker panel!
2. Plug the attached power cord into the AC receptacle (XXX-84 thru XXX-240). On the XXX-395 thru XXX-1150, connect supplied 240-VAC electrical whips (See page 27).



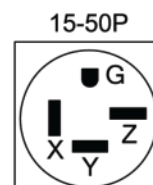
Single Phase Model Numbers using 30 AMPS		
PRO-SERIES	SSA-SERIES	SSMT-SERIES
N/A	SSA-ACR	SSMT-ACR
PRO-84	SSA-84	SSMT-84



Single Phase Model Numbers using 6-50P NEMA Plug		
PRO-SERIES	SSA-SERIES	SSMT-SERIES
PRO-140	SSA-140	SSMT-140
PRO-240	SSA-240	SSMT-240



3-PHASE Model Numbers using 15-30P		
PRO-SERIES	SSA-SERIES	SSMT-SERIES
N/A	SSA-84-3	SSMT-84-3
N/A	SSA-180-3	SSMT-180-3

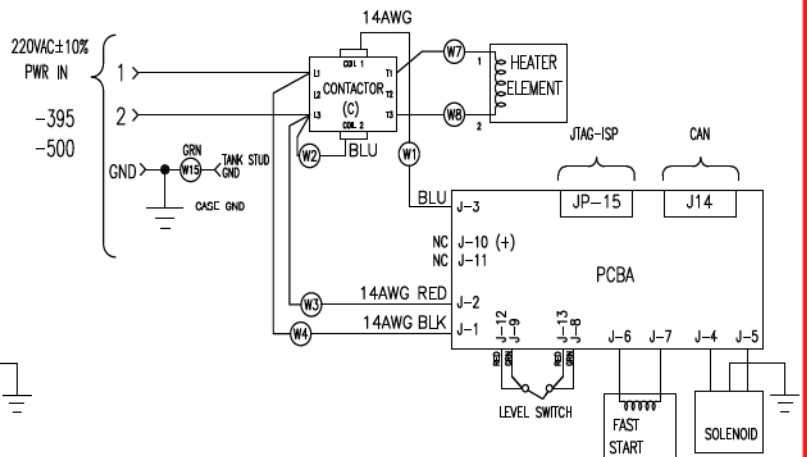
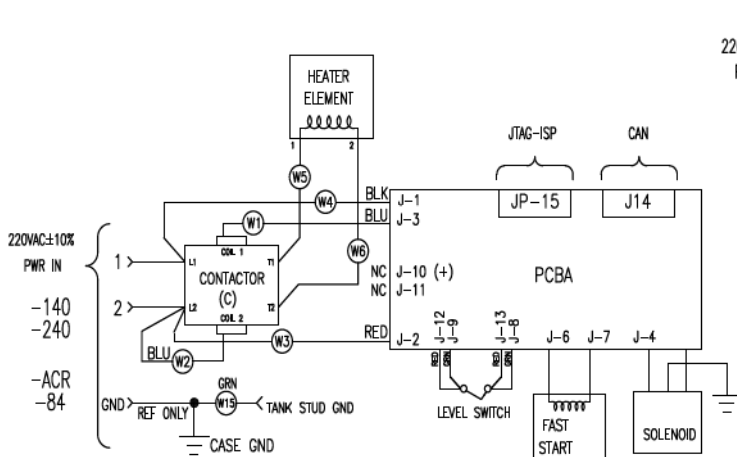
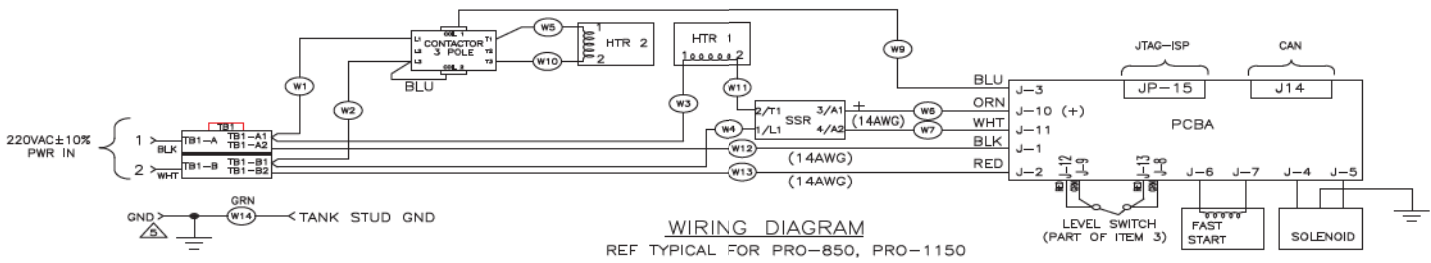
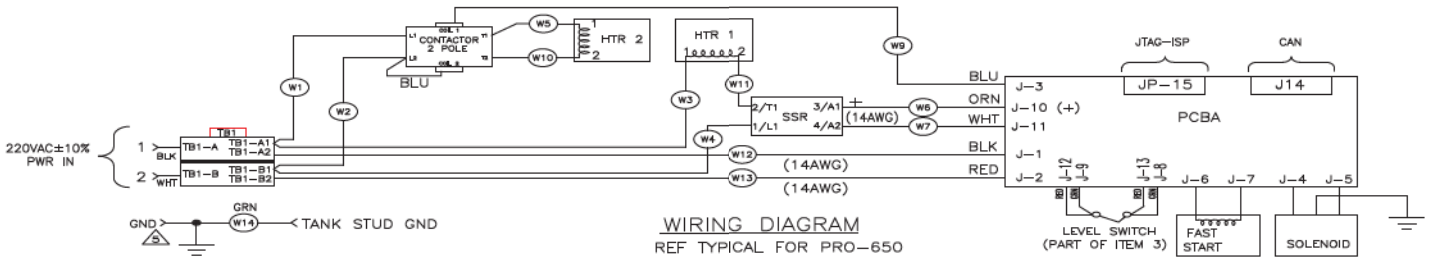
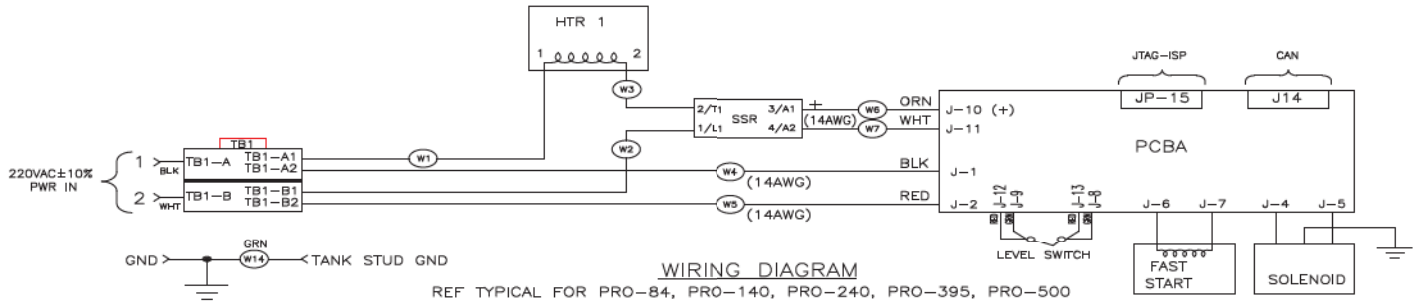


3-PHASE Model Numbers using 15-50P		
PRO-SERIES	SSA-SERIES	SSMT-SERIES
N/A	SSA-395-3	SSMT-395-3
N/A	SSA-500-3	SSMT-500-3

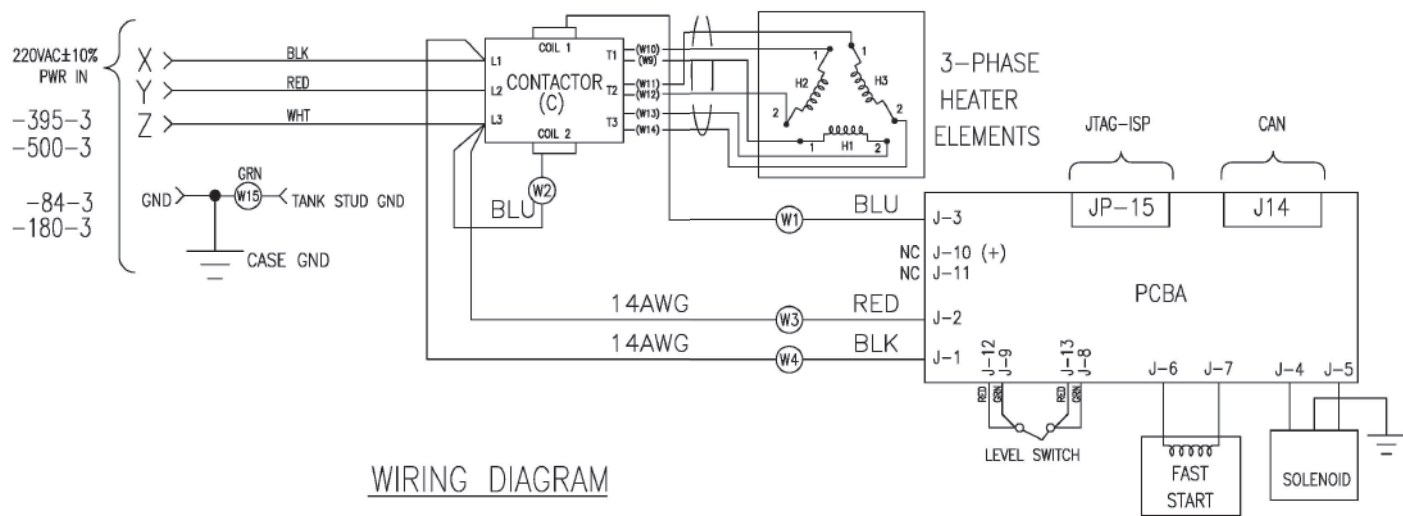


READ WARNINGS ON PAGE 1

Schematics



Schematics



WIRING DIAGRAM

SSA-84-3, -180-3, -395-3, -500-3



Aroma Therapy
from ThermoSol
EUCALYPTUS
Organic
ESSENTIAL OIL

Aroma Therapy
from ThermoSol
LAVENDER
Organic
ESSENTIAL OIL

Aroma Therapy
from ThermoSol
GERANIUM
Organic
ESSENTIAL OIL

Aroma Therapy
from ThermoSol
ROSEMARY
Organic
ESSENTIAL OIL

Aroma Therapy
from ThermoSol
NEROLI
Organic
ESSENTIAL OIL

Aroma Therapy
from ThermoSol
ROSE
Organic
ESSENTIAL OIL

Aroma Therapy
from ThermoSol
YLANGYLANG
Organic
ESSENTIAL OIL

Aroma Therapy
from ThermoSol
BERGAMOT
Organic
ESSENTIAL OIL

Aroma Therapy
from ThermoSol
CHAMOMILE
Organic
ESSENTIAL OIL

Aroma Therapy
from ThermoSol
JASMINE
Organic
ESSENTIAL OIL

Essential and Precious Reserve Oils



AF Series Generator



Pro Series Generator



Signature Series Controllers



Temp-Touch Plus Controls



AromaTherapy NoTouch™ Steamhead



Serenity Light & Music System

Remote Control



Shower Lights

Shower Speakers



Fog-Free Mirrors

800.776.0711
www.thermasol.com



All Steam Shower Products
Proudly Made in U.S.A. Since 1958