

Easy Start Control



Installation Manual

For Tutorials and Troubleshooting visit www.thermasol.com/solutions

ESC-XX, ESM-XX, EST-XX, ESR-XX

THERMASOL[®]

OVER 55 YEARS OF STEAM SHOWER INNOVATION

1 Important Information Before You Install

The Easy Start Control must be installed outside the shower.

The control should be installed outside the steam shower as an optional control for your convenience. Keep in mind that the cord provided is 50 feet long.



PLEASE REVIEW WARNINGS BELOW AND LEAVE THIS MANUAL WITH HOMEOWNER

DO NOT USE THIS PRODUCT UNLESS YOU HAVE CONSULTED WITH YOUR DOCTOR AND RECEIVED WRITTEN PERMISSION TO DO SO. USE OF THIS PRODUCT MAY BE HAZARDOUS TO YOUR HEALTH.

PLEASE CONSULT YOUR PHYSICIAN BEFORE USING. IF YOU ARE PREGNANT, ELDERLY, HAVE HIGH BLOOD PRESSURE, DIABETES, SUFFERING FROM HEART DISEASE, ARE INTOXICATED, OR NOT IN GOOD HEALTH, DO NOT USE THIS STEAM BATH.

STEAM IS HOT! DO NOT TOUCH OR GO NEAR THE STEAMHEAD FROM THE TIME THE UNIT IS "ON," UP TO ONE HOUR AFTER IT HAS SHUT OFF. SEVERE BURNS WILL OCCUR IF YOU COME IN CONTACT WITH THE STEAMHEAD OR STEAM EMITTING FROM THE STEAMHEAD.

NEVER ATTEMPT TO FILL AROMA RESERVOIR ON THE STEAMHEAD WHEN UNIT IS IN THE "ON" POSITION. SEVERE BURNS WILL OCCUR.

DO NOT USE THERMASOL AROMATHERAPY OILS, SKIN CARE PRODUCTS OR ANY PRODUCT ASSOCIATED WITH YOUR THERMASOL UNIT WITHOUT CONSULTING WITH YOUR ALLERGIST OR DOCTOR BEFORE USE. THESE PRODUCTS MAY BE HAZARDOUS TO YOUR HEALTH.

DO NOT USE STEAM ROOM WHILE UNDER THE INFLUENCE OF ALCOHOL OR DRUGS, AS THIS CAN BE HAZARDOUS TO YOUR HEALTH.

YOUR SHOWER MAY BE A SLIP-AND-FALL HAZARD. CHECK WITH YOUR CONTRACTOR OR FLOORING MANUFACTURER REGARDING THE SAFE USE OF YOUR FLOORING IN A STEAM APPLICATION. SLIPPING AND FALLING INTO THE STEAMHEAD ITSELF OR INTO THE STREAM OF STEAM EMITTING FROM THE STEAMHEAD WILL CAUSE SERIOUS BURNS OR PHYSICAL INJURY.

IF YOU ARE FEELING UNCOMFORTABLE, DIZZY, FAINT, OR STARTING TO FALL ASLEEP, IMMEDIATELY EXIT THE STEAM ROOM.

DO NOT USE STEAM ROOM IF YOU ARE UNDER THE AGE OF 16 UNLESS SUPERVISED BY AN ADULT.

THERMASOL STEAM BATH GENERATORS ARE NOT DESIGNED TO BE USED FOR SPACE HEATING PURPOSES.

THERMASOL STEAM BATH GENERATORS ARE FOR INDOOR USE ONLY. THEY SHOULD NEVER BE LOCATED OUTSIDE THE HOME.

ALL PRODUCTS MUST BE INSTALLED IN ACCORDANCE WITH INSTALLATION INSTRUCTIONS PROVIDED. FAILURE TO DO SO MAY INVALIDATE WARRANTY AT MANUFACTURER'S DISCRETION. ©2016 THERMASOL.

2 Tools and Materials

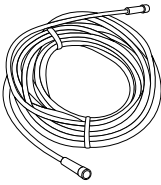
Parts Enclosed:



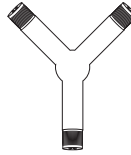
Easy Start Control



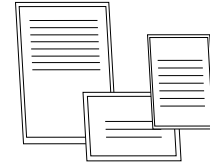
Silicone



50-foot CAN-bus cable
Item 03-6152-050



Y-connector
Item 03-6204



Installation instructions,
warranty, static cling warning
label

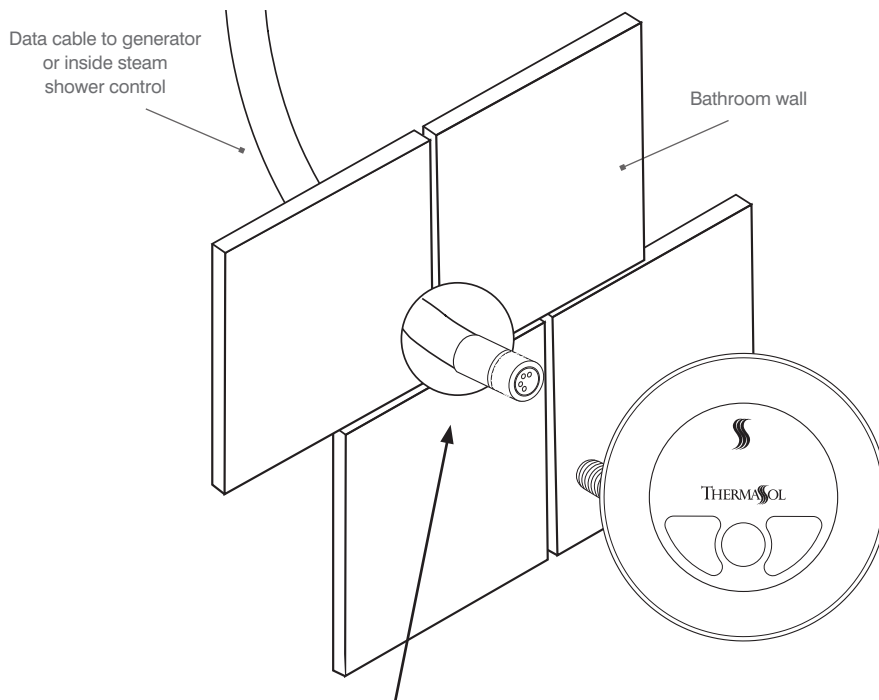
Materials needed:

- Drill
- Inside shower control (excludes MicroTouch)
- Steam Generator

3 Control Installation and Data Cable Connection

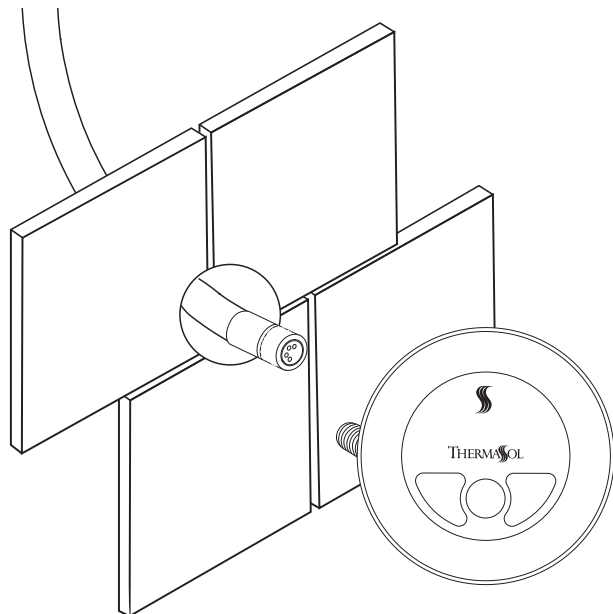
Surface Mount Installation

ESC-XX, ESM-XX, EST-XX, ESR-XX

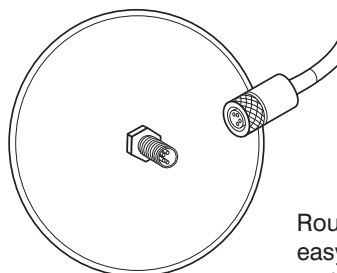


Make a 1/2" diameter hole in the desired location.
The control should be installed 60" from the floor.

4 Control Installation and Data Cable Connection



Back of Control

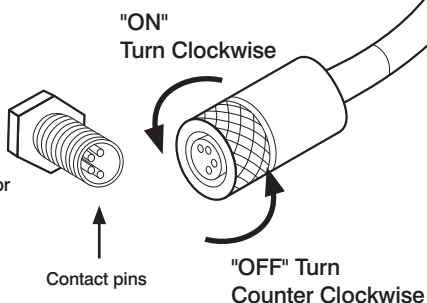


Route the data cable (included with easy start) through the finished wall to the back side of the control. The other end of the cable runs to y-connector. See possible configurations in step 5.

NOTE: It is recommended to run the cable through electrical conduit.

Connector Detail

Back of control or the y-connector



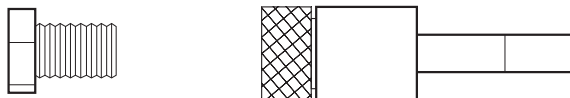
DO NOT pinch, nail, staple, wedge, or bind the data cable.

DO NOT wrap the data cable around steam line or route it in a manner so that the hot steam line could melt the cable.

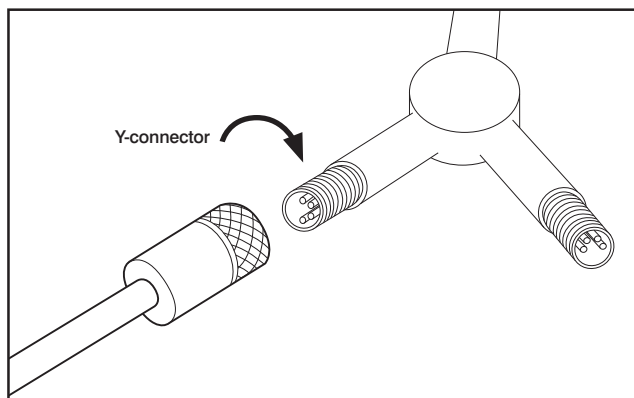
Any damage to the control cable will result in the control not working properly.

Carefully connect the data cable to the generator and control **BEFORE** turning power on to the generator.

Back of control or the y-connector



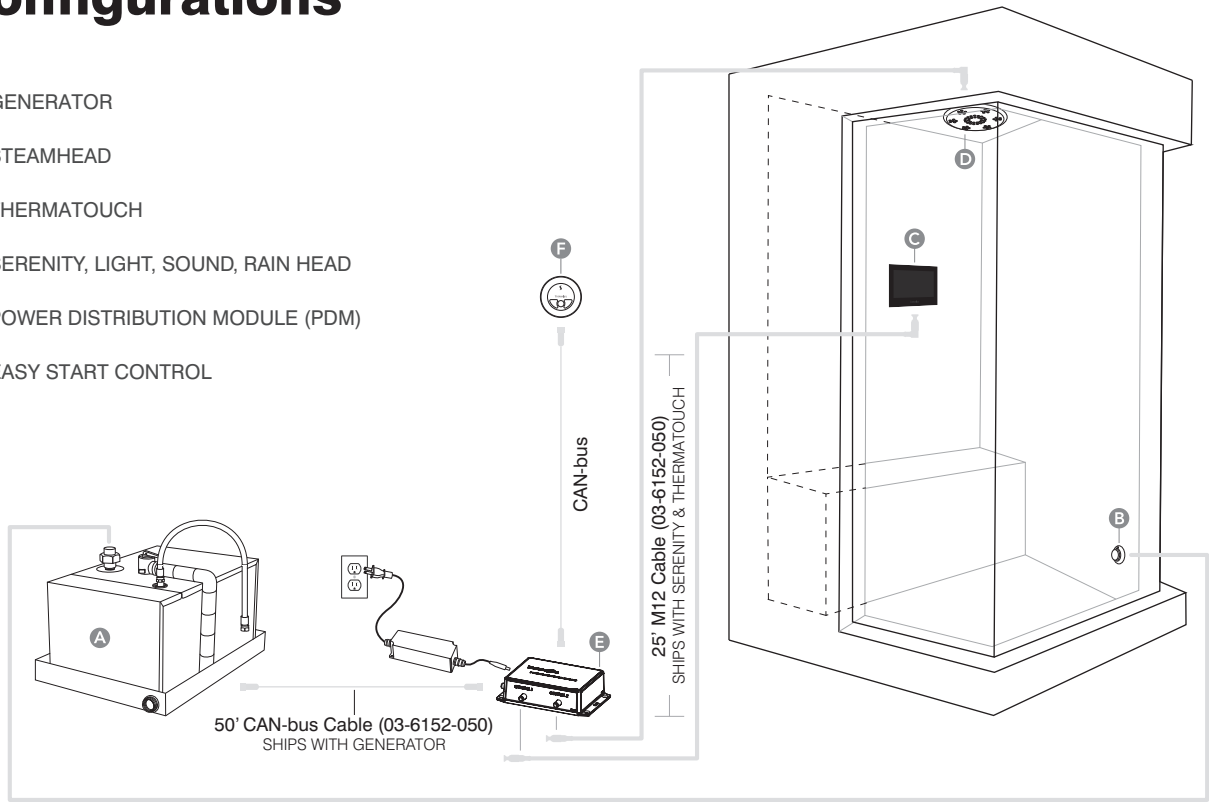
- Do not staple, strain or damage data cable
- Align pins to receptacle visually before tightening
- Do not force plug
- Hand tighten only



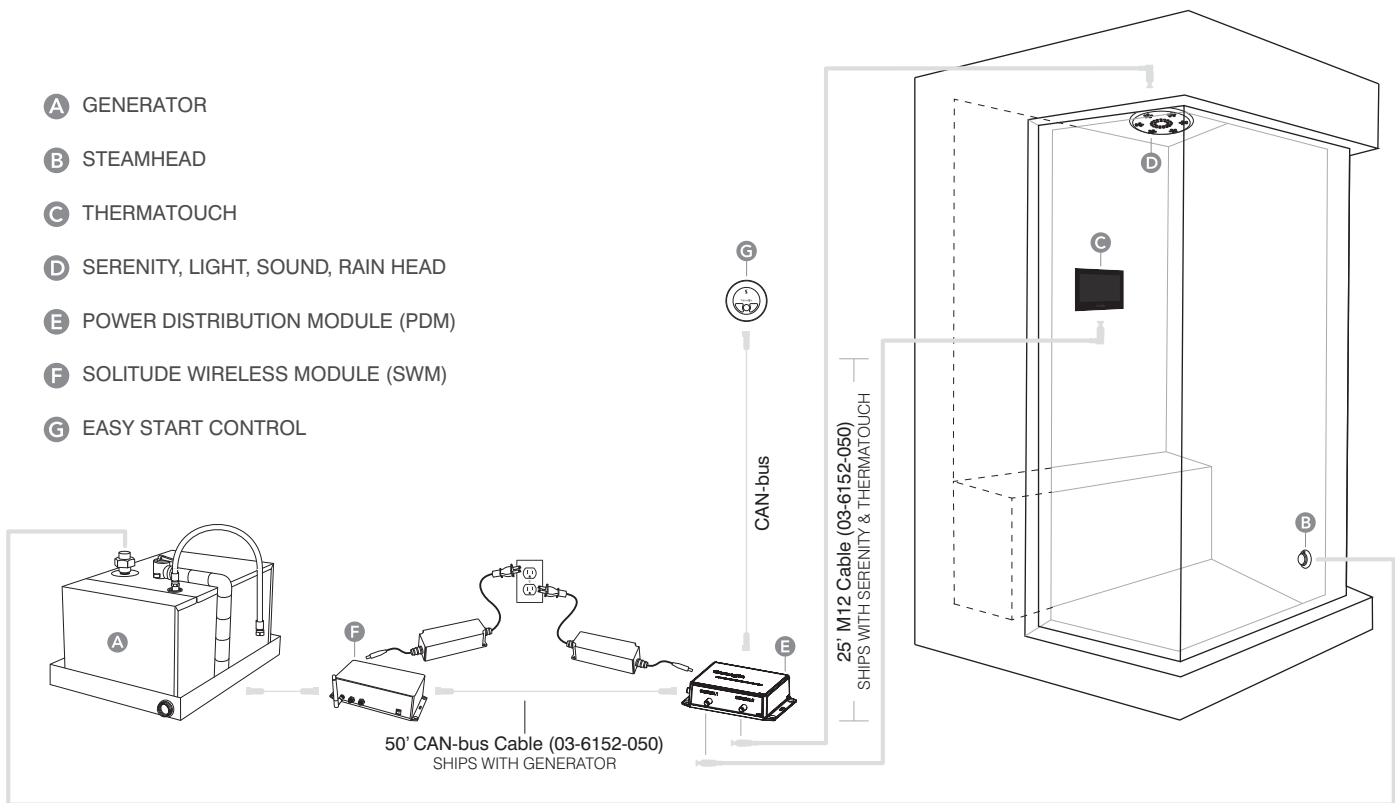
Connect the data cable to y-connector. (The other ends of the cables run to the back of the control in the shower and to the SWM-2 or PDM if present.)

5 Configurations

- A** GENERATOR
- B** STEAMHEAD
- C** THERMATOUCH
- D** SERENITY, LIGHT, SOUND, RAIN HEAD
- E** POWER DISTRIBUTION MODULE (PDM)
- F** EASY START CONTROL

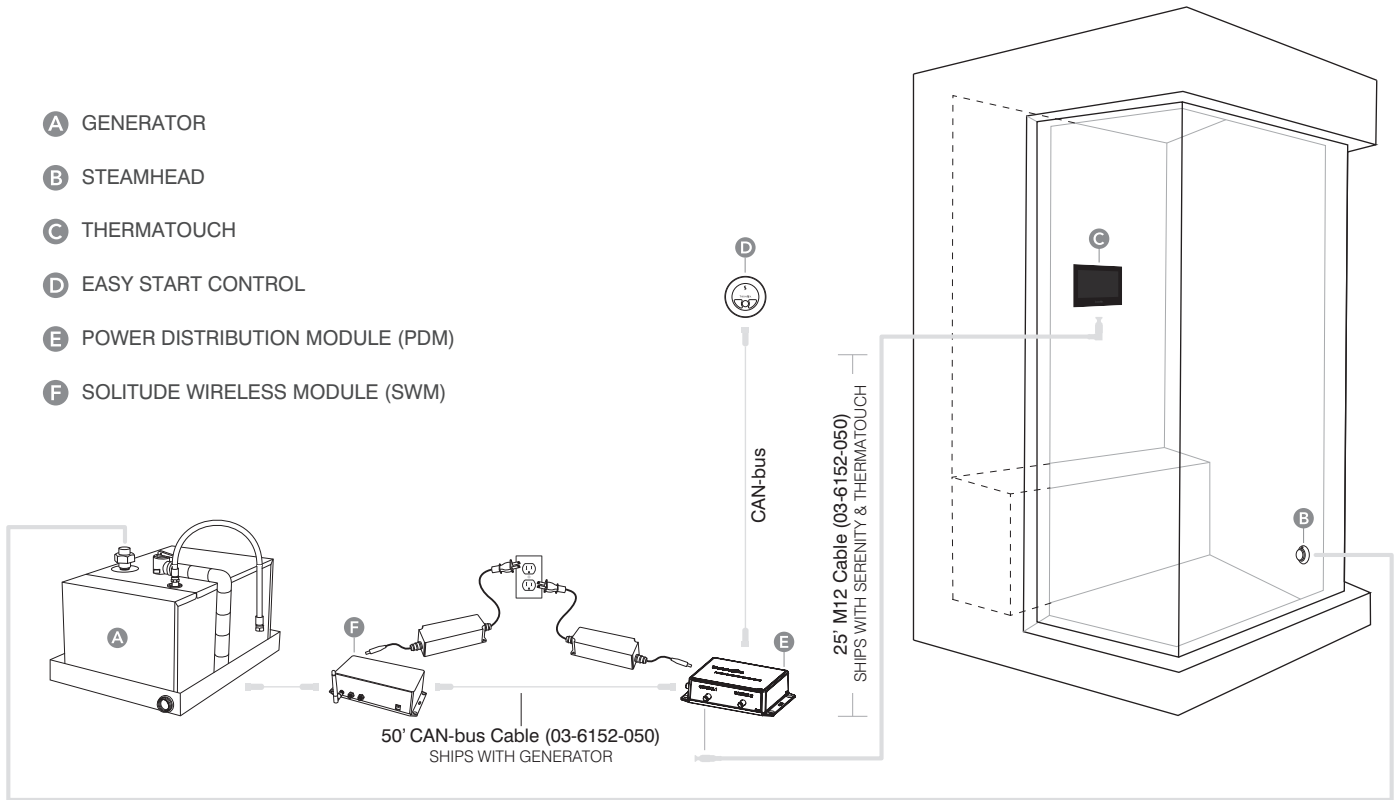


- A** GENERATOR
- B** STEAMHEAD
- C** THERMATOUCH
- D** SERENITY, LIGHT, SOUND, RAIN HEAD
- E** POWER DISTRIBUTION MODULE (PDM)
- F** SOLITUDE WIRELESS MODULE (SWM)
- G** EASY START CONTROL

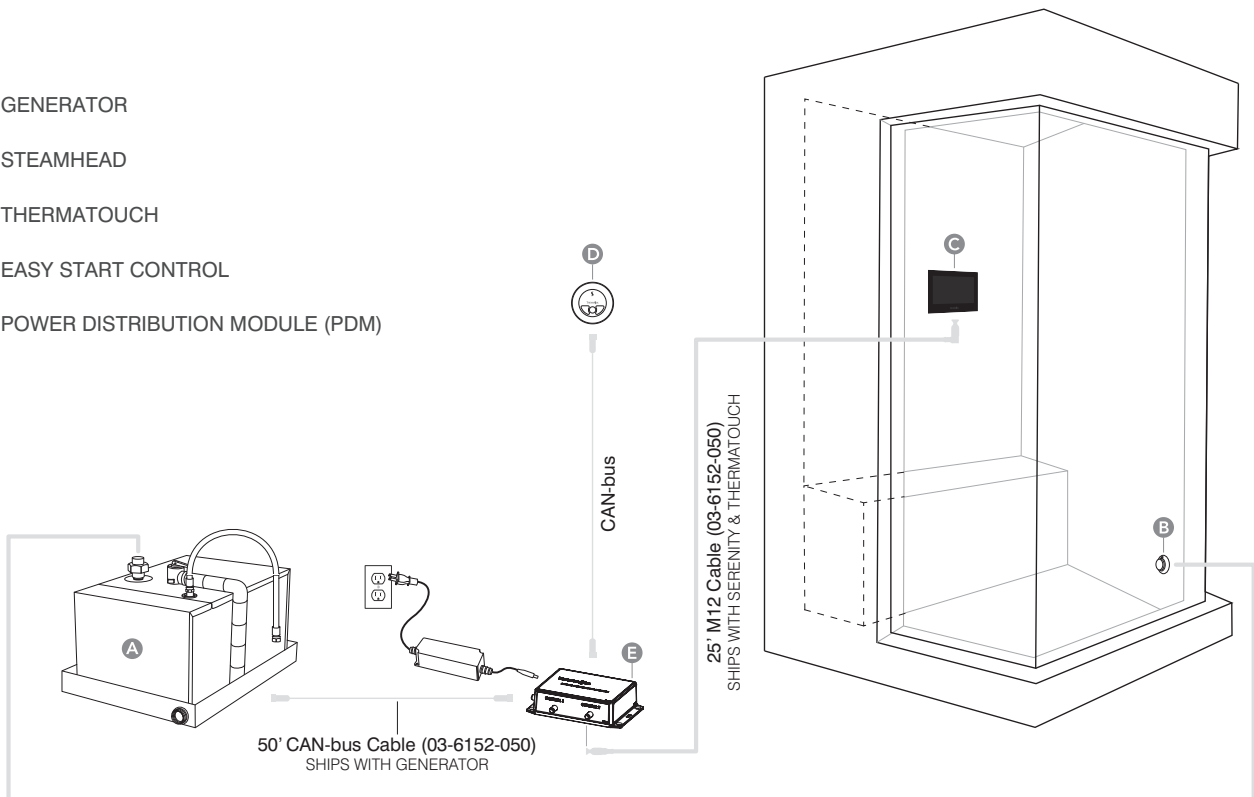


THERMASOL Easy Start Control Installation Instructions

- A GENERATOR
- B STEAMHEAD
- C THERMATOUCH
- D EASY START CONTROL
- E POWER DISTRIBUTION MODULE (PDM)
- F SOLITUDE WIRELESS MODULE (SWM)

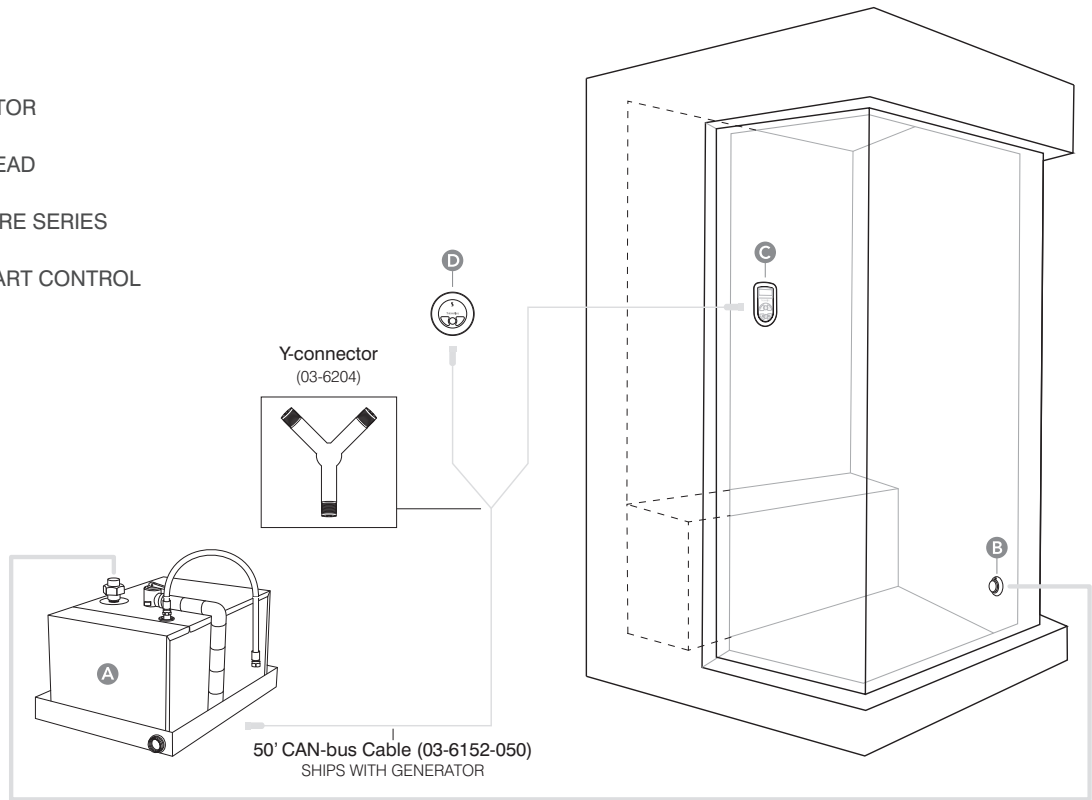


- A GENERATOR
- B STEAMHEAD
- C THERMATOUCH
- D EASY START CONTROL
- E POWER DISTRIBUTION MODULE (PDM)

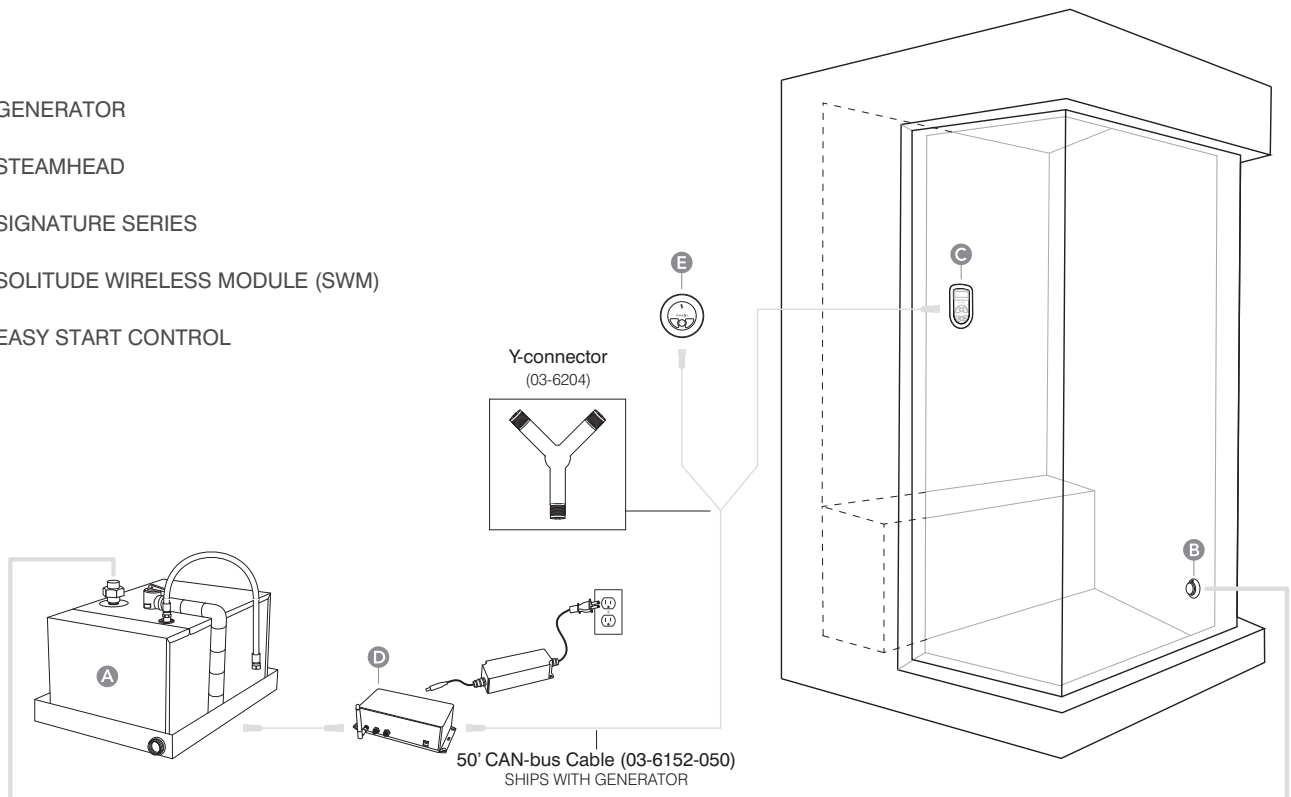


THERMASOL® Easy Start Control Installation Instructions

- A** GENERATOR
- B** STEAMHEAD
- C** SIGNATURE SERIES
- D** EASY START CONTROL



- A** GENERATOR
- B** STEAMHEAD
- C** SIGNATURE SERIES
- D** SOLITUDE WIRELESS MODULE (SWM)
- E** EASY START CONTROL



THERMASOL[®]

Superior Steamshower Systems



1958 STEAM WAY ROUND ROCK, TX 78665
PHONE: 800.776.0711 | FAX: 800.556.5257 | WWW.THERMASOL.COM

PN: 81198_NC 7/16