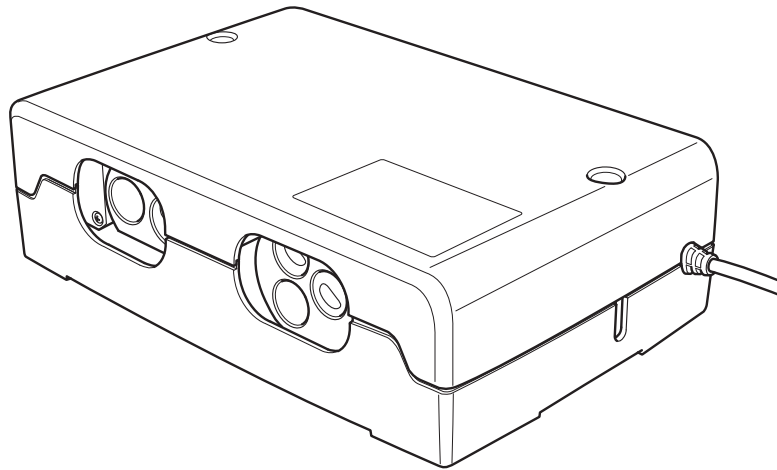


Digital Shower Package



Installation Manual

For Tutorials and Troubleshooting visit www.thermasol.com/solutions

THERMASOL[®]

OVER 60 YEARS OF STEAM SHOWER INNOVATION

SignaTouch Control



Installation Manual

For Tutorials and Troubleshooting visit www.thermasol.com/solutions

STCX-XXX

THERMASOL[®]

OVER 60 YEARS OF STEAM SHOWER INNOVATION

1 Important Information before You Install

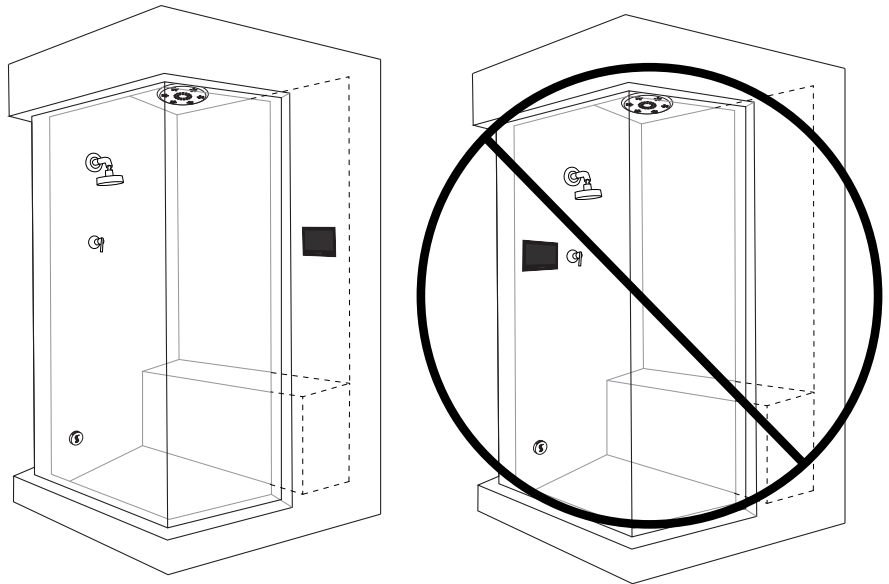
The SignaTouch Control must be installed inside the shower. The ThermaTouch control will only function on the current TFX, SSA and PRO Series generators.

The control should be installed 60" from the floor of the shower and away from the steamhead.

The steamhead should be installed 24" from the floor and 6" from any wall. Locate as far as possible from the bathing seating area or location of the users and not below any fixtures.

IMPORTANT: When locating and installing the ThermaTouch, it is required to not place the control under any water-outlets, shower heads or in the direct path of flowing water.

SEE DIAGRAM FOR LOCATION EXAMPLE.



PLEASE REVIEW WARNINGS BELOW AND LEAVE THIS MANUAL WITH HOMEOWNER

DO NOT USE THIS PRODUCT UNLESS YOU HAVE CONSULTED WITH YOUR DOCTOR AND RECEIVED WRITTEN PERMISSION TO DO SO. USE OF THIS PRODUCT MAY BE HAZARDOUS TO YOUR HEALTH.

PLEASE CONSULT YOUR PHYSICIAN BEFORE USING. IF YOU ARE PREGNANT, ELDERLY, HAVE HIGH BLOOD PRESSURE, DIABETES, SUFFERING FROM HEART DISEASE, ARE INTOXICATED, OR NOT IN GOOD HEALTH, DO NOT USE THIS STEAM BATH.

STEAM IS HOT! DO NOT TOUCH OR GO NEAR THE STEAMHEAD FROM THE TIME THE UNIT IS "ON," UP TO ONE HOUR AFTER IT HAS SHUT OFF. SEVERE BURNS WILL OCCUR IF YOU COME IN CONTACT WITH THE STEAMHEAD OR STEAM EMITTING FROM THE STEAMHEAD.

NEVER ATTEMPT TO FILL AROMA RESERVOIR ON THE STEAMHEAD WHEN UNIT IS IN THE "ON" POSITION. SEVERE BURNS WILL OCCUR.

DO NOT USE THERMASOL AROMATHERAPY OILS, SKIN CARE PRODUCTS OR ANY PRODUCT ASSOCIATED WITH YOUR THERMASOL UNIT WITHOUT CONSULTING WITH YOUR ALLERGIST OR DOCTOR BEFORE USE. THESE PRODUCTS MAY BE HAZARDOUS TO YOUR HEALTH.

DO NOT USE STEAM ROOM WHILE UNDER THE INFLUENCE OF ALCOHOL OR DRUGS, AS THIS CAN BE HAZARDOUS TO YOUR HEALTH.

YOUR SHOWER MAY BE A SLIP-AND-FALL HAZARD. CHECK WITH YOUR CONTRACTOR OR FLOORING MANUFACTURER REGARDING THE SAFE USE OF YOUR FLOORING IN A STEAM APPLICATION. SLIPPING AND FALLING INTO THE STEAMHEAD ITSELF OR INTO THE STREAM OF STEAM EMITTING FROM THE STEAMHEAD WILL CAUSE SERIOUS BURNS OR PHYSICAL INJURY.

IF YOU ARE FEELING UNCOMFORTABLE, DIZZY, FAINT, OR STARTING TO FALL ASLEEP, IMMEDIATELY EXIT THE STEAM ROOM.

DO NOT USE STEAM ROOM IF YOU ARE UNDER THE AGE OF 16 UNLESS SUPERVISED BY AN ADULT.

THERMASOL STEAM BATH GENERATORS ARE NOT DESIGNED TO BE USED FOR SPACE HEATING PURPOSES.

THERMASOL STEAM BATH GENERATORS ARE FOR INDOOR USE ONLY. THEY SHOULD NEVER BE LOCATED OUTSIDE THE HOME.

All products must be installed in accordance with installation instructions provided. Failure to do so may invalidate warranty at manufacturer's discretion. ©2019 ThermaSol.

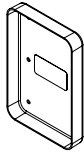
2 Tools and Materials



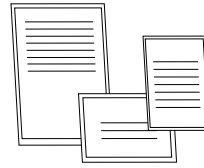
Controller
Item STC-XXX



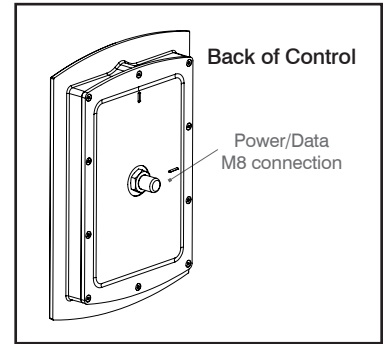
Silicone



Mud Ring
Item 04-8566



Installation instructions, warranty,
static cling warning label



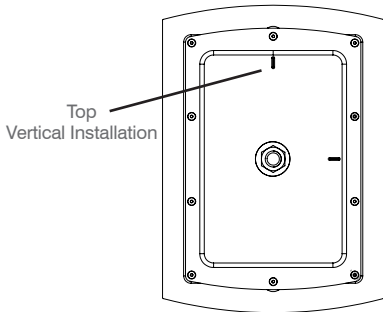
Back of Control

Power/Data
M8 connection

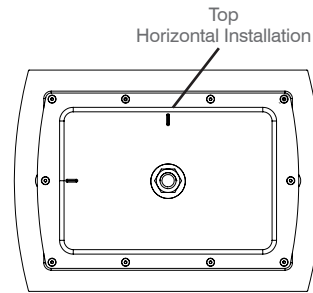
Materials needed:

- SignaTouch control
- M8 cable
- Silicone
- Mud Ring
- Other materials as required

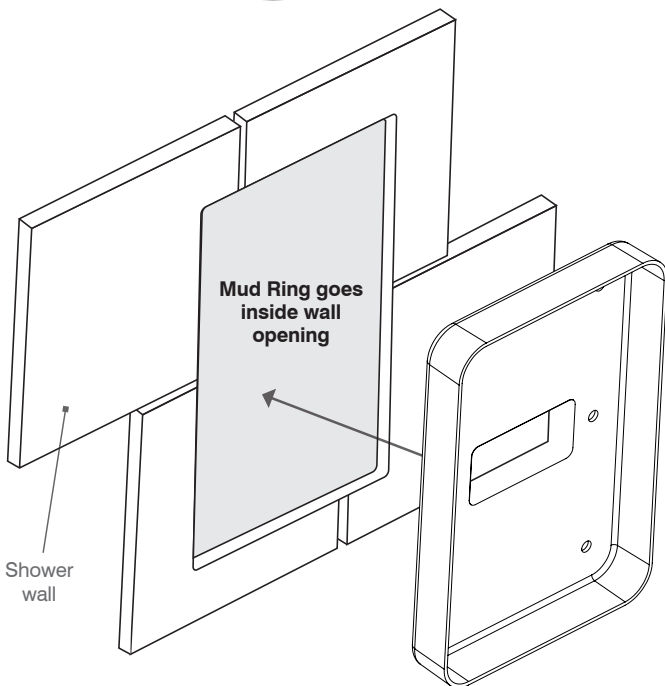
3 Mud Ring Application



Top
Vertical Installation

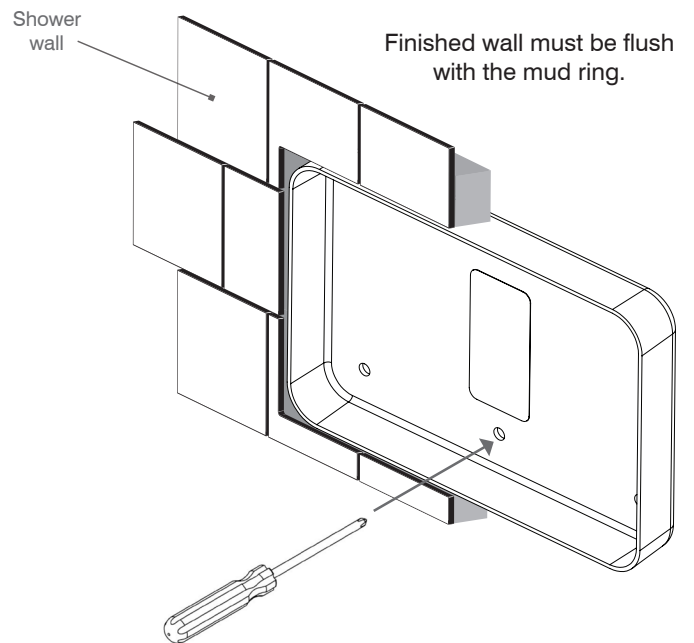


Top
Horizontal Installation



Mud Ring goes
inside wall
opening

Shower
wall

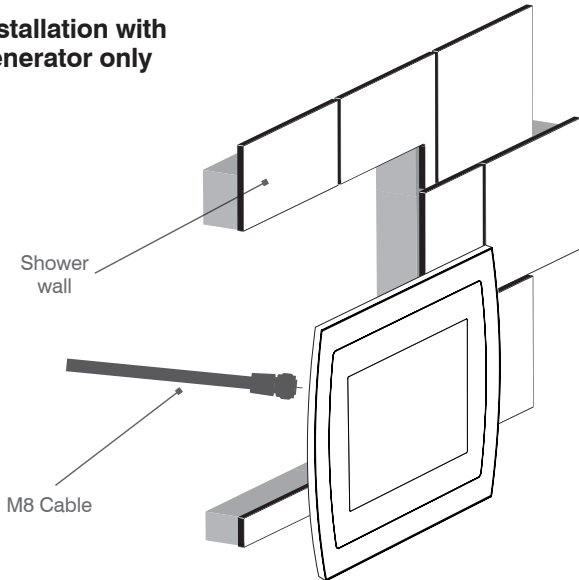


Finished wall must be flush
with the mud ring.

**5.7" W by 3.9" opening for recessed mount STC-XXX Mud Ring
SignaTouch control can be installed vertically or horizontally**

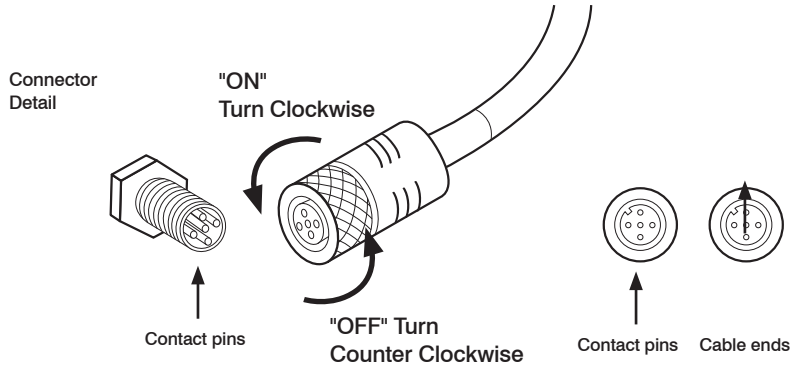
4 Control Installation and Data Cable Connection

Installation with generator only



Route the M8 cable through the finished wall to the back side of the control. (The other end of the cable runs to the steam generator location.) **NOTE:** It is recommended to run the cable through electrical conduit. **DO NOT STAPLE** the cable!

Installation with one of or all, SLSR, Digital shower valve, and steam generator.

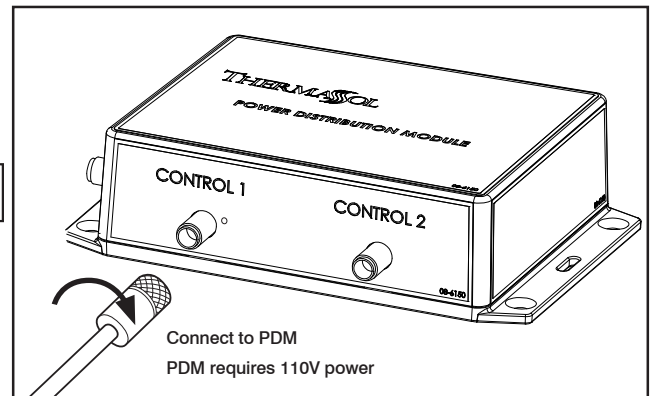
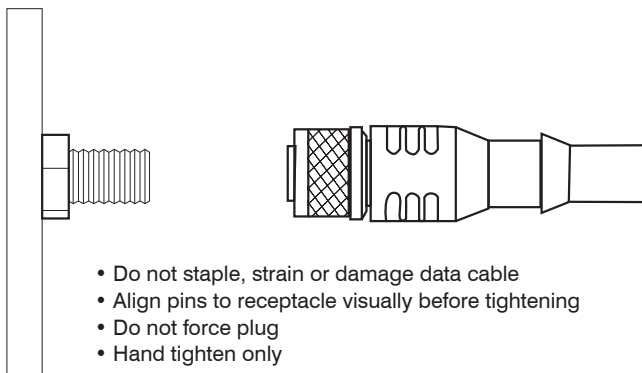


DO NOT pinch, nail, staple, wedge, or bind the data cable.

DO NOT wrap the data cable around steam line or route it in a manner so that the hot steam line could melt the cable.

Any damage to the control cable will result in the control not working properly.

Carefully connect the data cable to the PDM and control **BEFORE** turning power on to the generator or PDM.



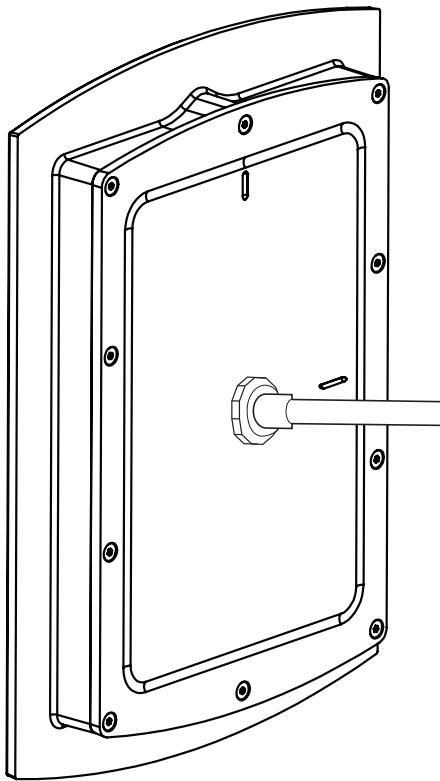
Connect the data cable to Power Distribution Module (PDM). (The other end of the cable runs to the back of the control in the shower location.)

5 Sealing Control

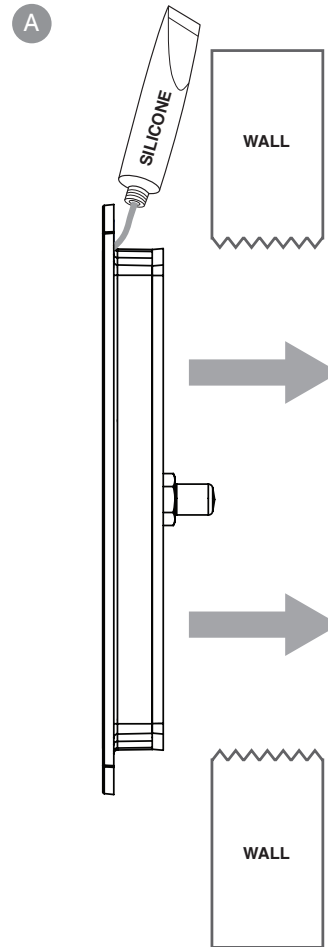
THESE STEPS MUST BE TAKEN FOR CORRECT INSTALLATION OF THE CONTROL. REMOVE MUD RING FROM WALL CUTOUT BEFORE MAKING FINAL CABLE CONNECTIONS TO THE THERMATOUCH CONTROL. TEST THAT ALL CONNECTIONS ARE WORKING BEFORE SEALING THE CONTROL TO THE WALL. (Power on the control and see that it lights up).

- A Coat the entire edge of the control with supplied waterproof silicone to fully seal the control to the wall. Completely seal the control to the wall so moisture does not collect behind it.

Place the control on the wall pressing firmly. (You may need to tape the control into place until the silicone dries.) Be careful not to harm the wall or control with the tape. Let dry for 24 hours before using steam bath.

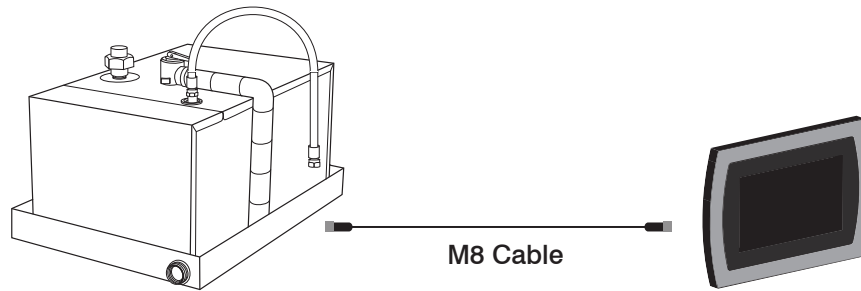


Back Side of Control
Vertical Install

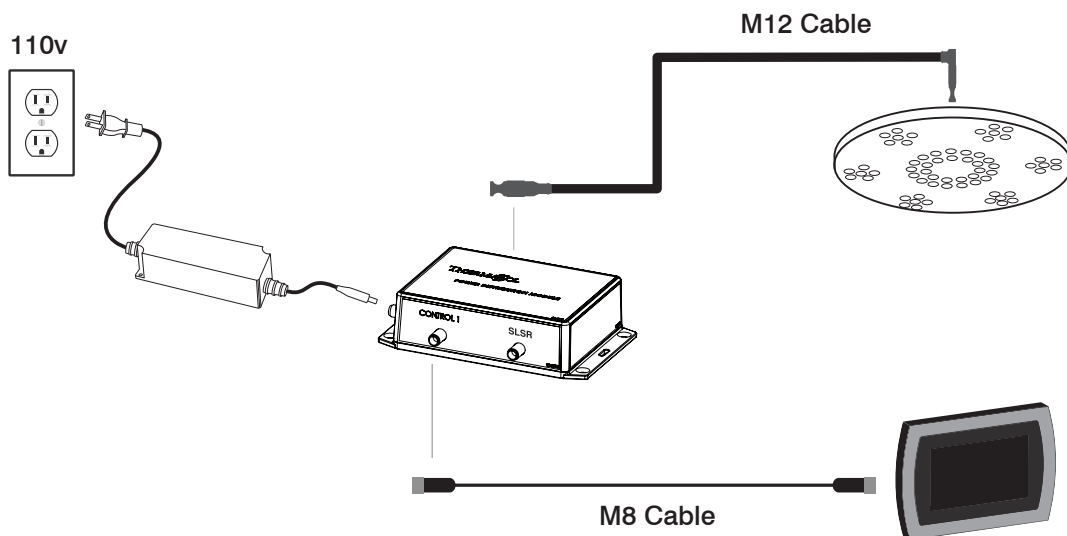


Side View of Control
Vertical Install

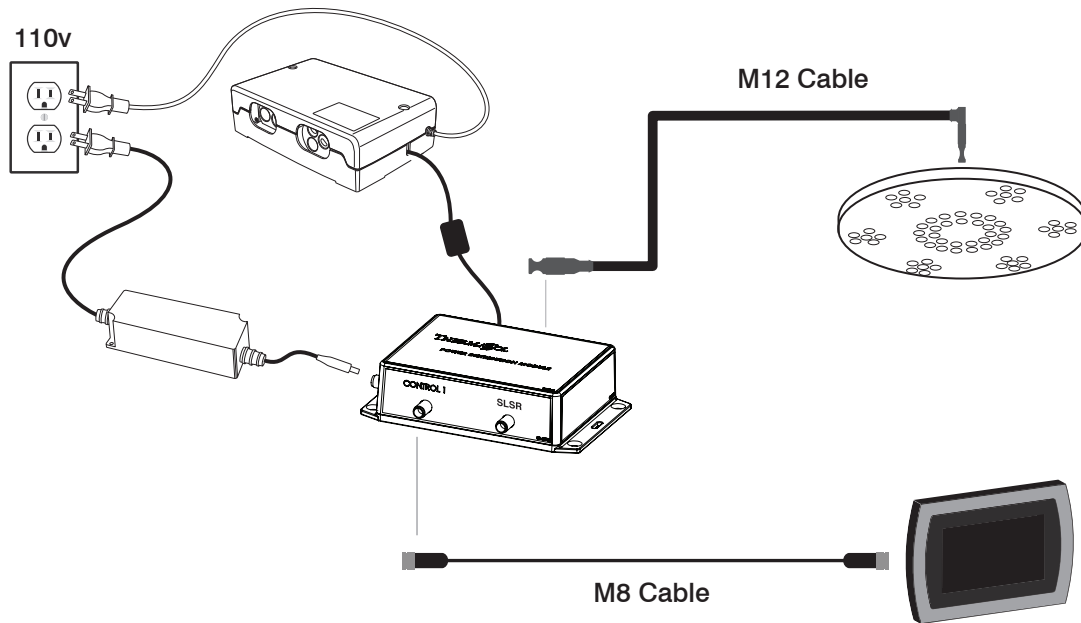
6a Connecting SignaTouch to the Generator



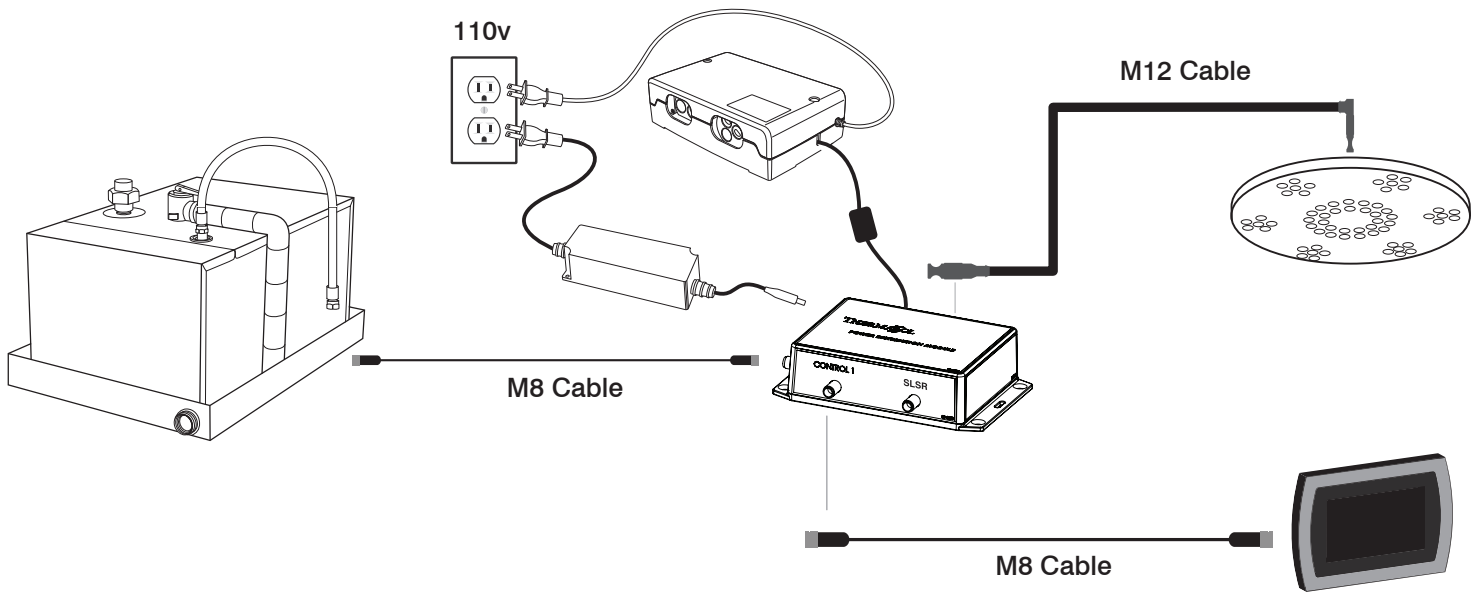
6b Connecting SignaTouch to Serenity Light, Sound, Rainhead (if applicable)



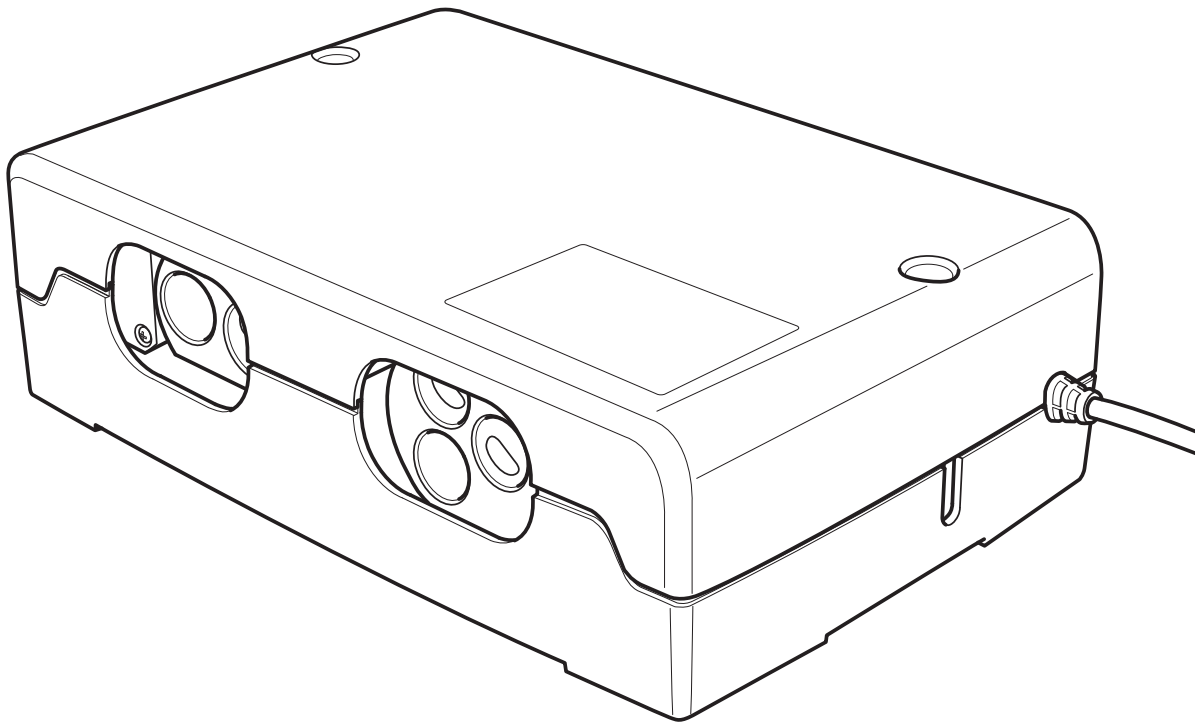
6c Connecting SignaTouch to Digital Shower



6d Connecting Total Wellness Package



Digital Shower Valve



Installation Manual

TDS-3000

THERMASOL[®]

OVER 60 YEARS OF STEAM SHOWER INNOVATION

1 Important Information Before You Install

Make sure the walls, ceiling and floor materials are suitable for use with this product. Ensure electrical power is turned off for the duration of the installation.

PLEASE REVIEW WARNINGS BELOW AND LEAVE THIS MANUAL WITH HOMEOWNER

BEFORE USING THE SHOWER, TEST THE WATER TEMPERATURE WITH YOUR HAND BEFORE FULLY ENTERING THE SHOWER.

DO NOT USE THERMASOL AROMATHERAPY OILS OR SKIN CARE PRODUCTS OR ANY PRODUCT ASSOCIATED WITH YOUR THERMASOL PRODUCT WITHOUT CONSULTING WITH YOUR ALLERGIST OR DOCTOR BEFORE USE. THESE PRODUCTS MAY BE HAZARDOUS TO YOUR HEALTH.

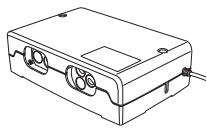
DO NOT USE THIS PRODUCT WHILE UNDER THE INFLUENCE OF ALCOHOL OR DRUGS, AS THIS CAN BE HAZARDOUS TO YOUR HEALTH.

All products must be installed in accordance with installation instructions provided. Failure to do so may invalidate warranty at manufacturer's discretion.

©2018 ThermaSol.

2 Tools and Materials

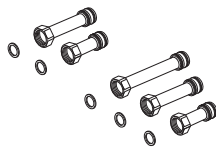
Parts enclosed with the Digital Shower:



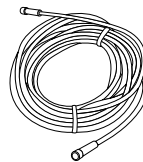
Digital Shower
10.9" x 6.93" x 2.95"



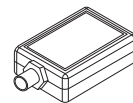
Set of screws,
2 x 5 x 50 mm



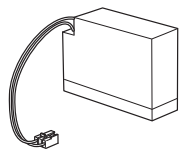
Set of connection nipples



50-foot CAN-bus cable



Digital Interface

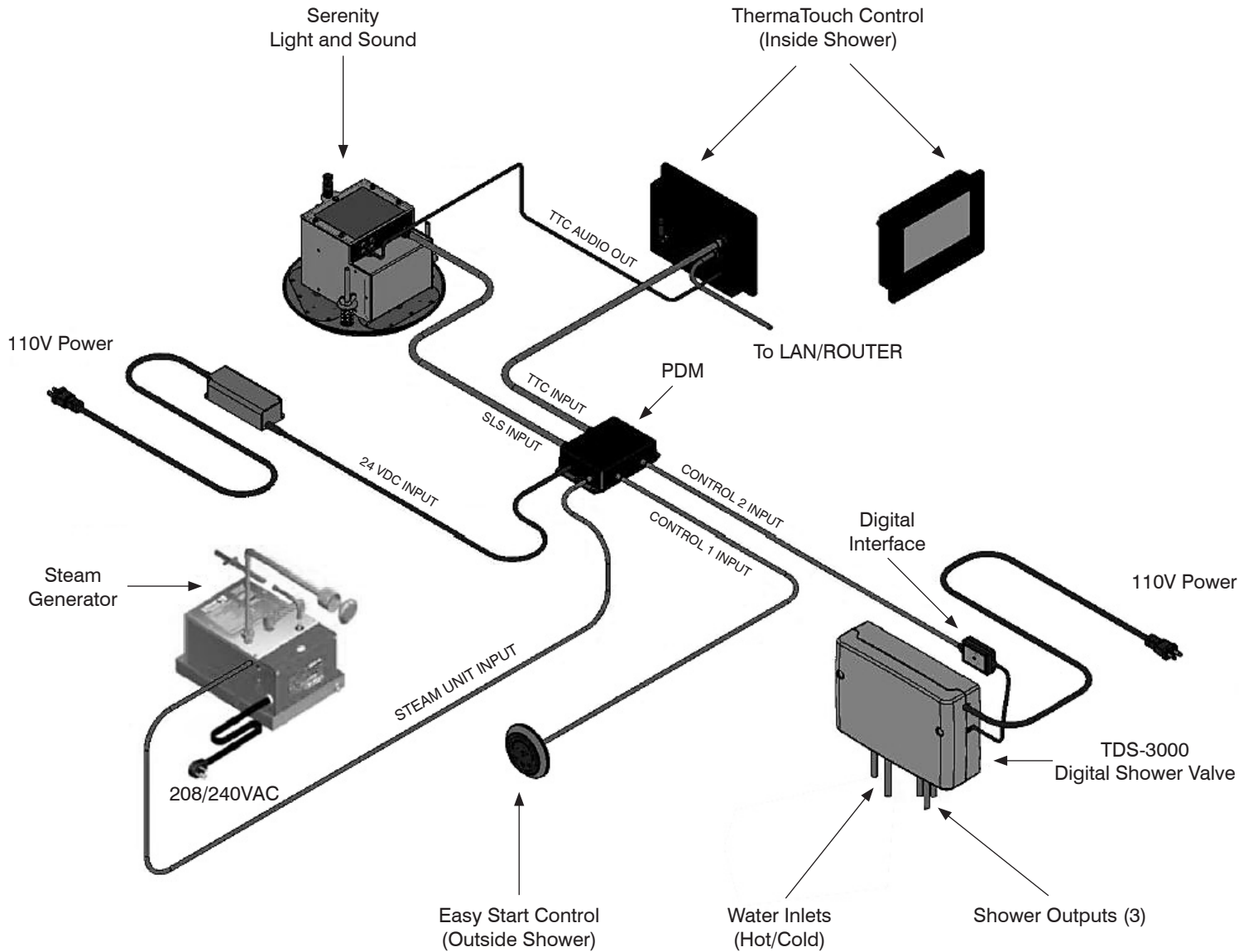


Back up battery

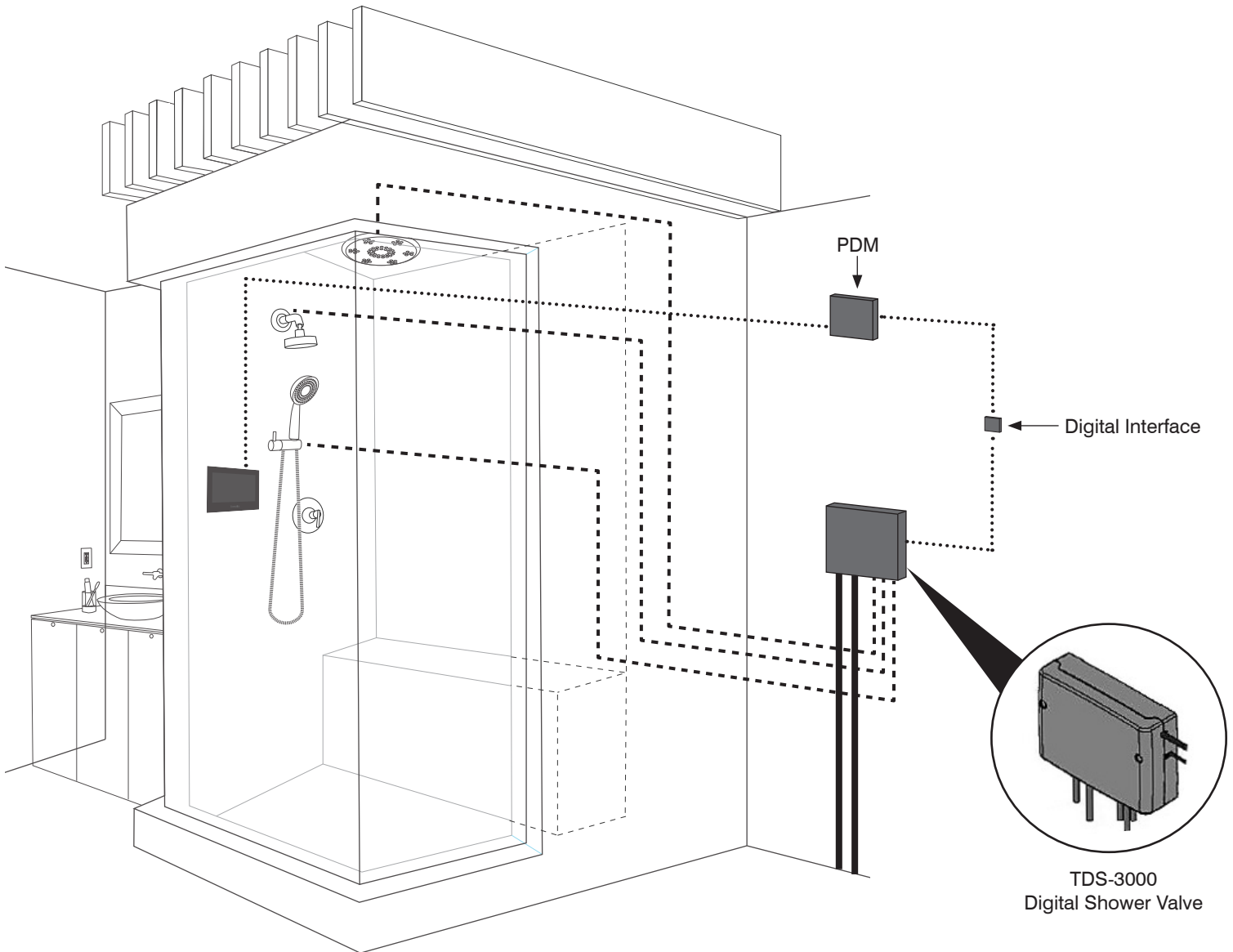
Tools needed:

- Pencil
- Drill bit 8 mm
- Crosshead screwdriver
- Adjustable spanner / wrench
- Drill
- Spirit level

3 System Layout

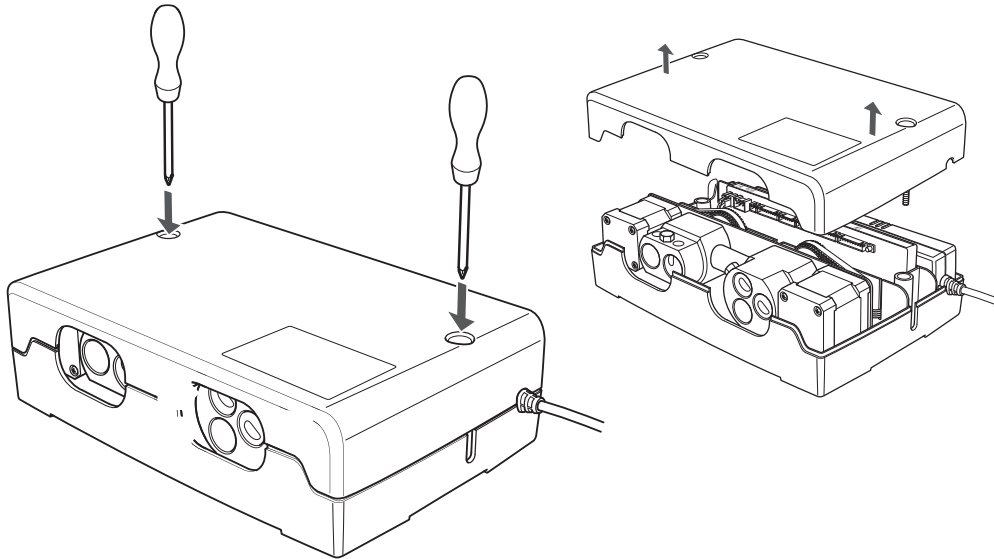


4 Scope of Application

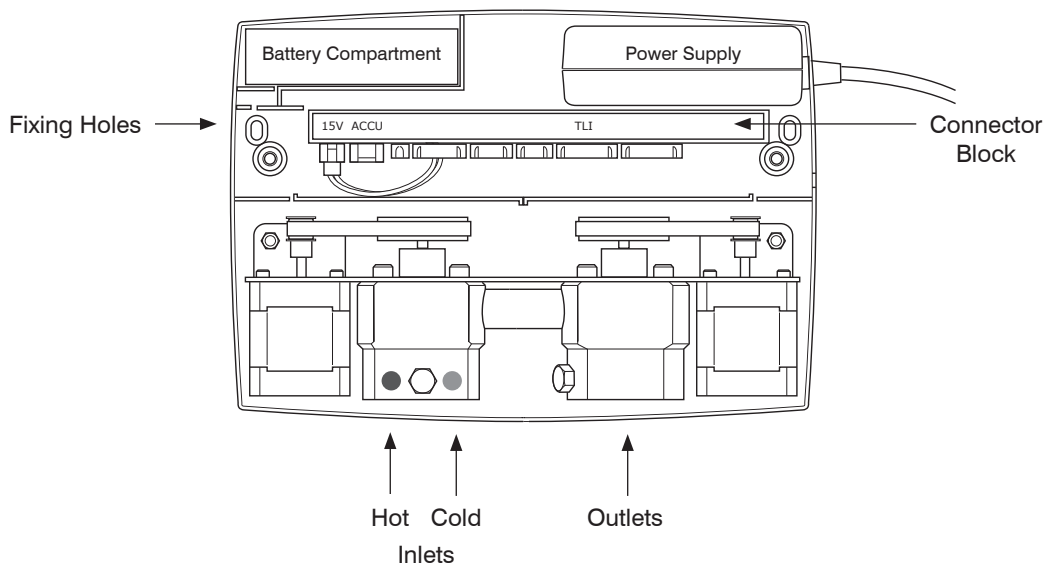


IMPORTANT: The Digital Shower Valve must be accessible and should not be sealed in the wall

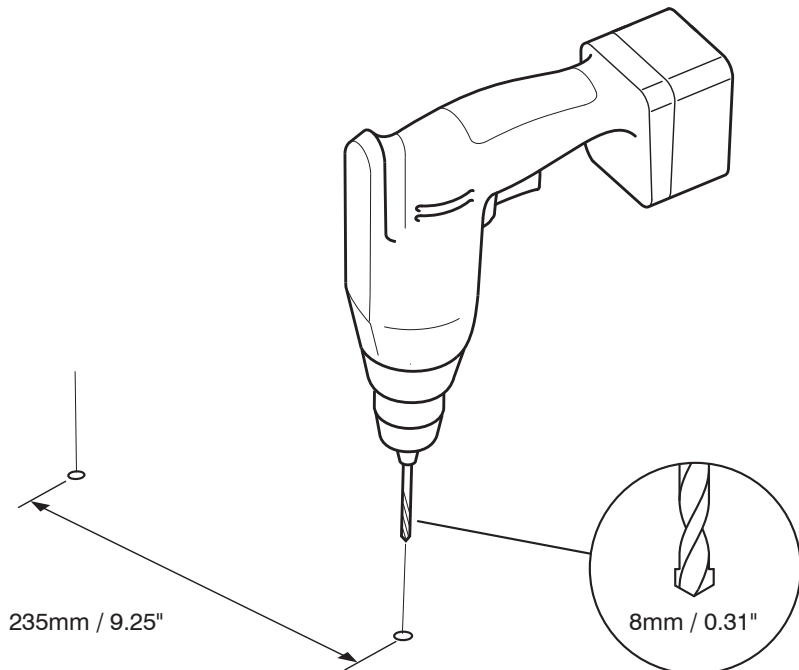
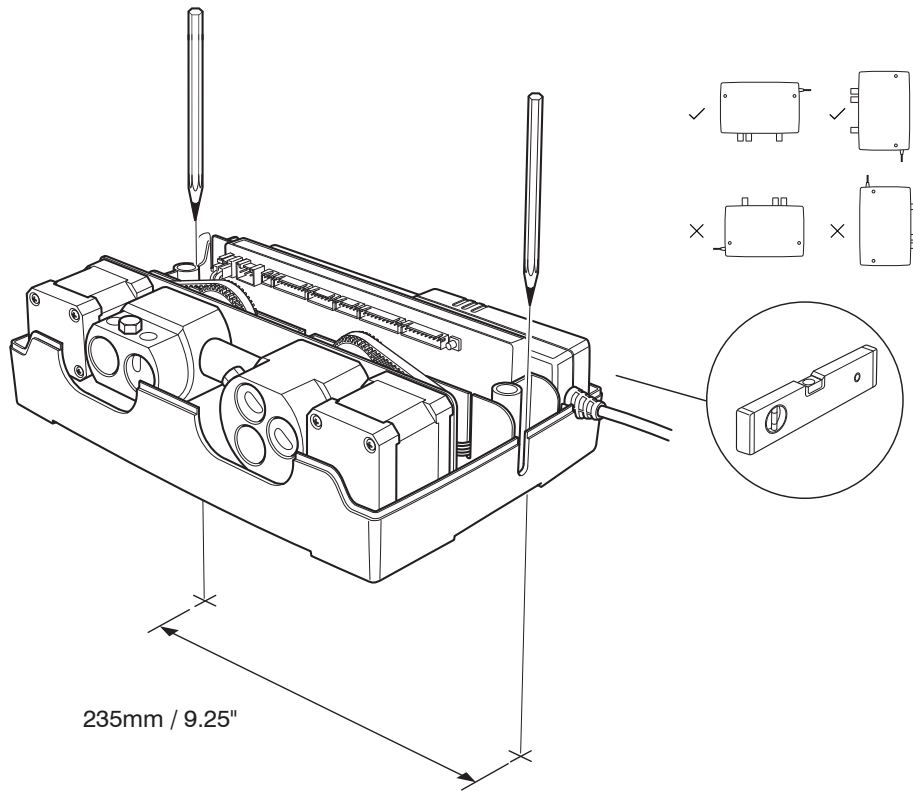
5 Remove Cover



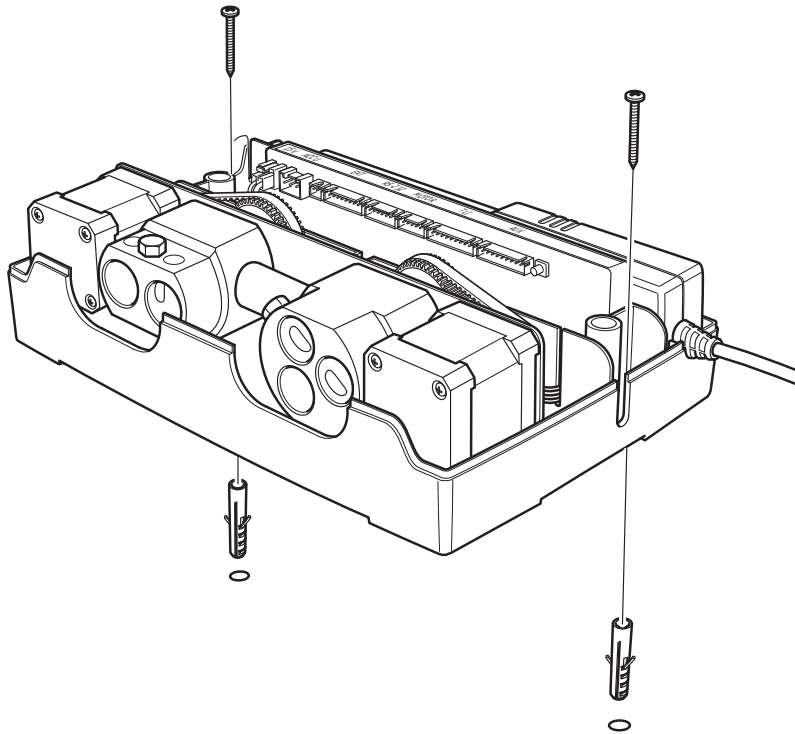
6 Inside Valve System Controller



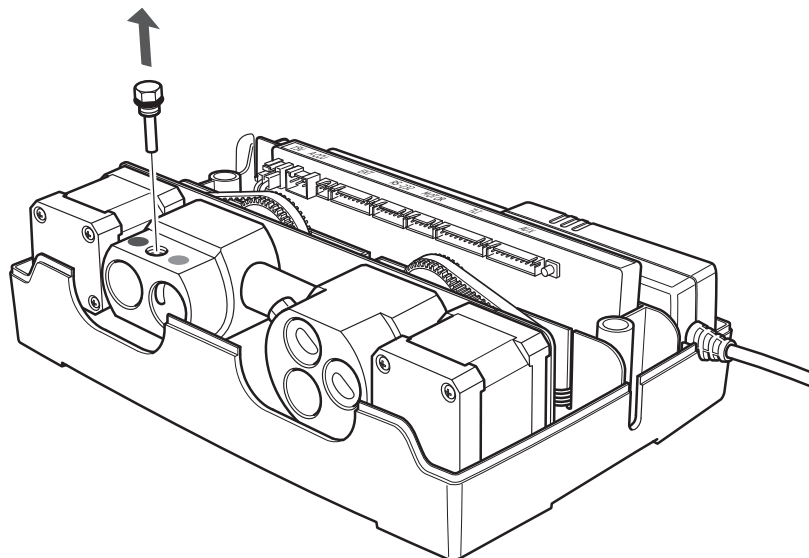
7 Mark and Drill Holes



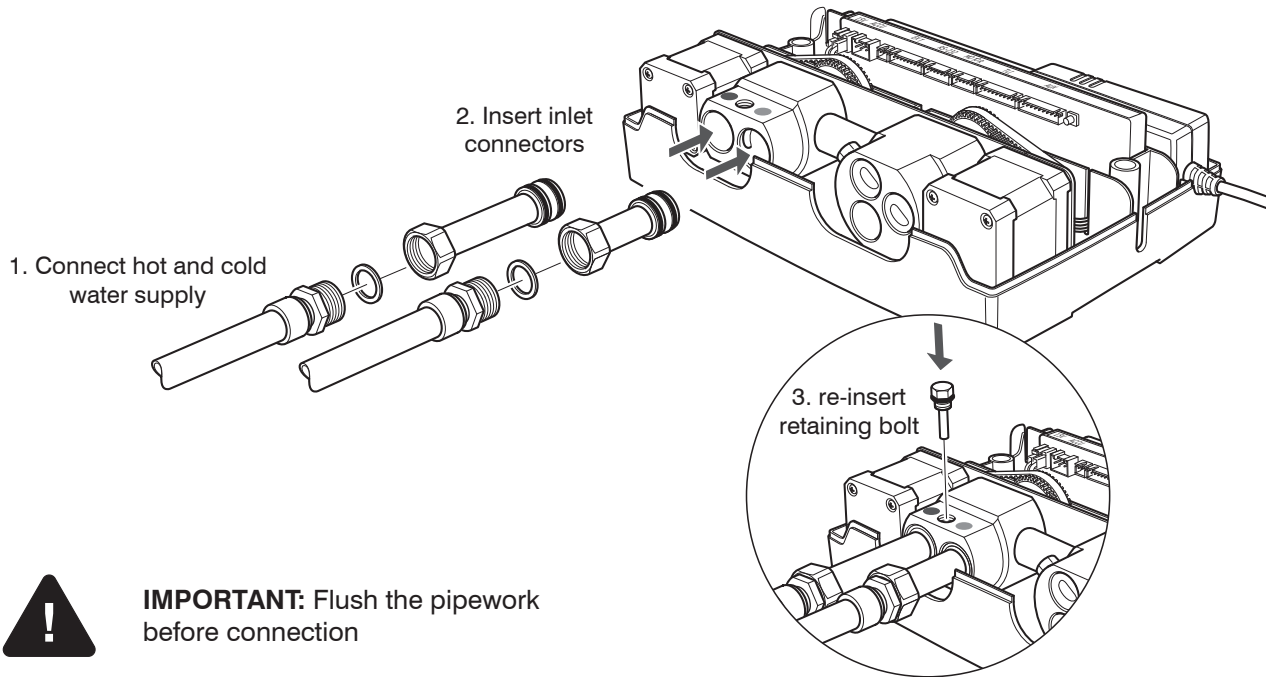
8 Install Valve System Controller



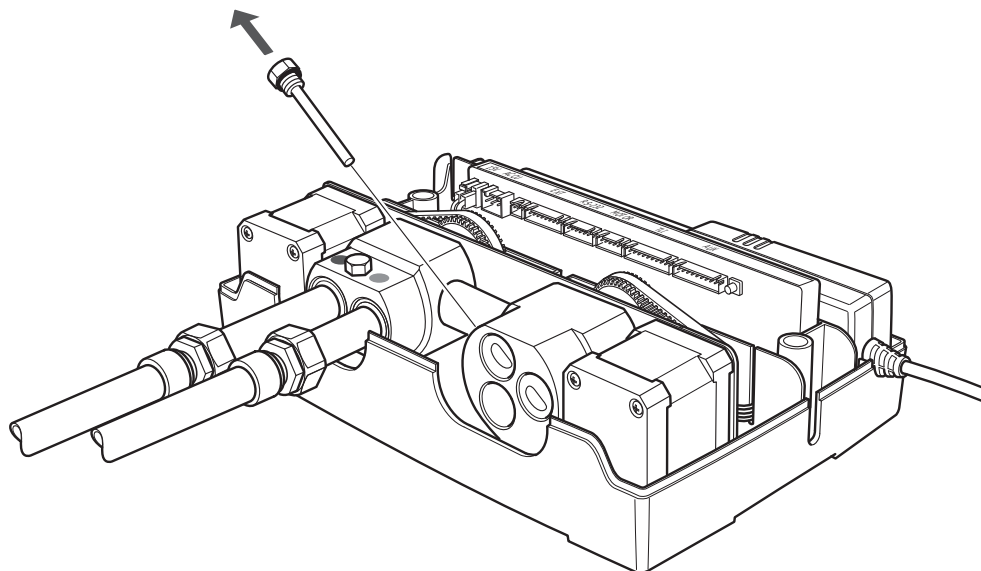
9 Remove Inlet Retaining Bolt



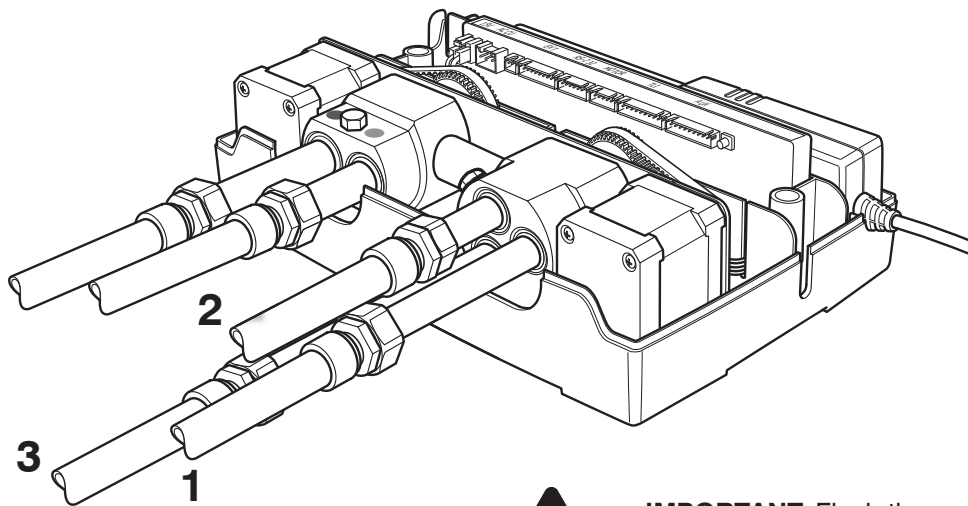
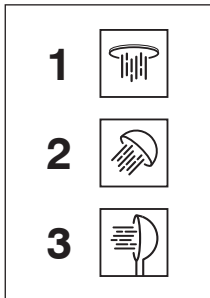
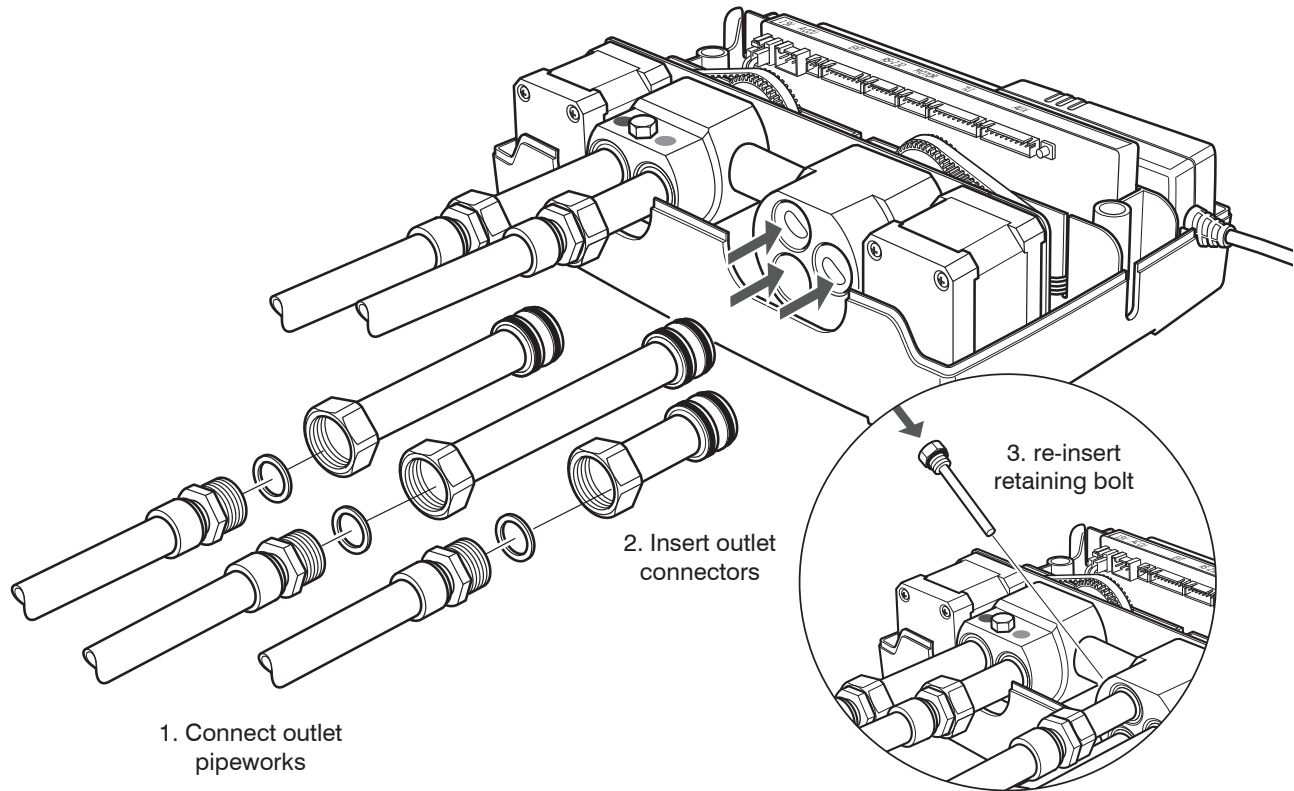
10 Connect Hot and Cold Water Supply



11 Remove Outlet Retaining Bolt

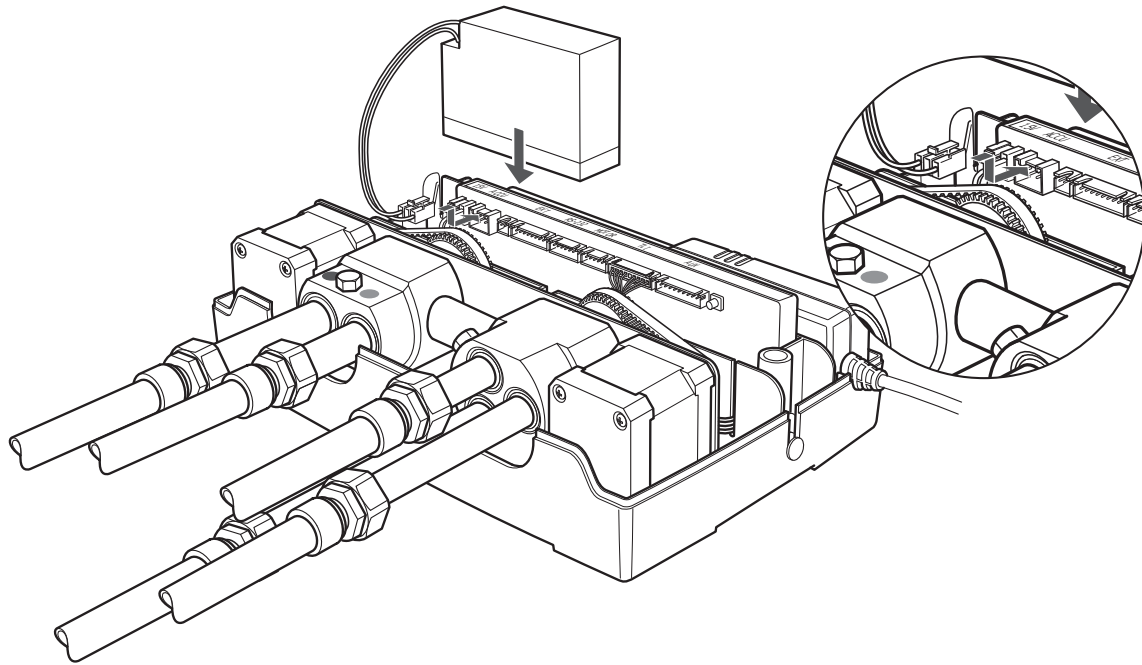


12 Connect Outlet Pipeworks

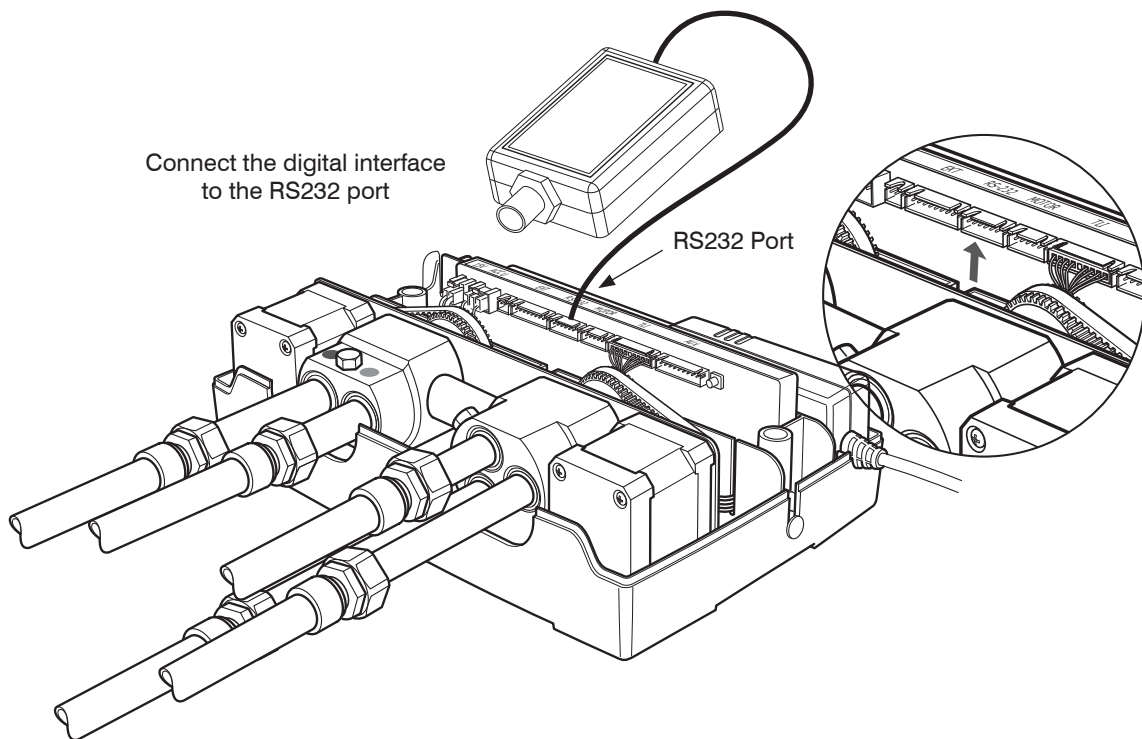


IMPORTANT: Flush the waterlines prior to connecting to clear any debris.

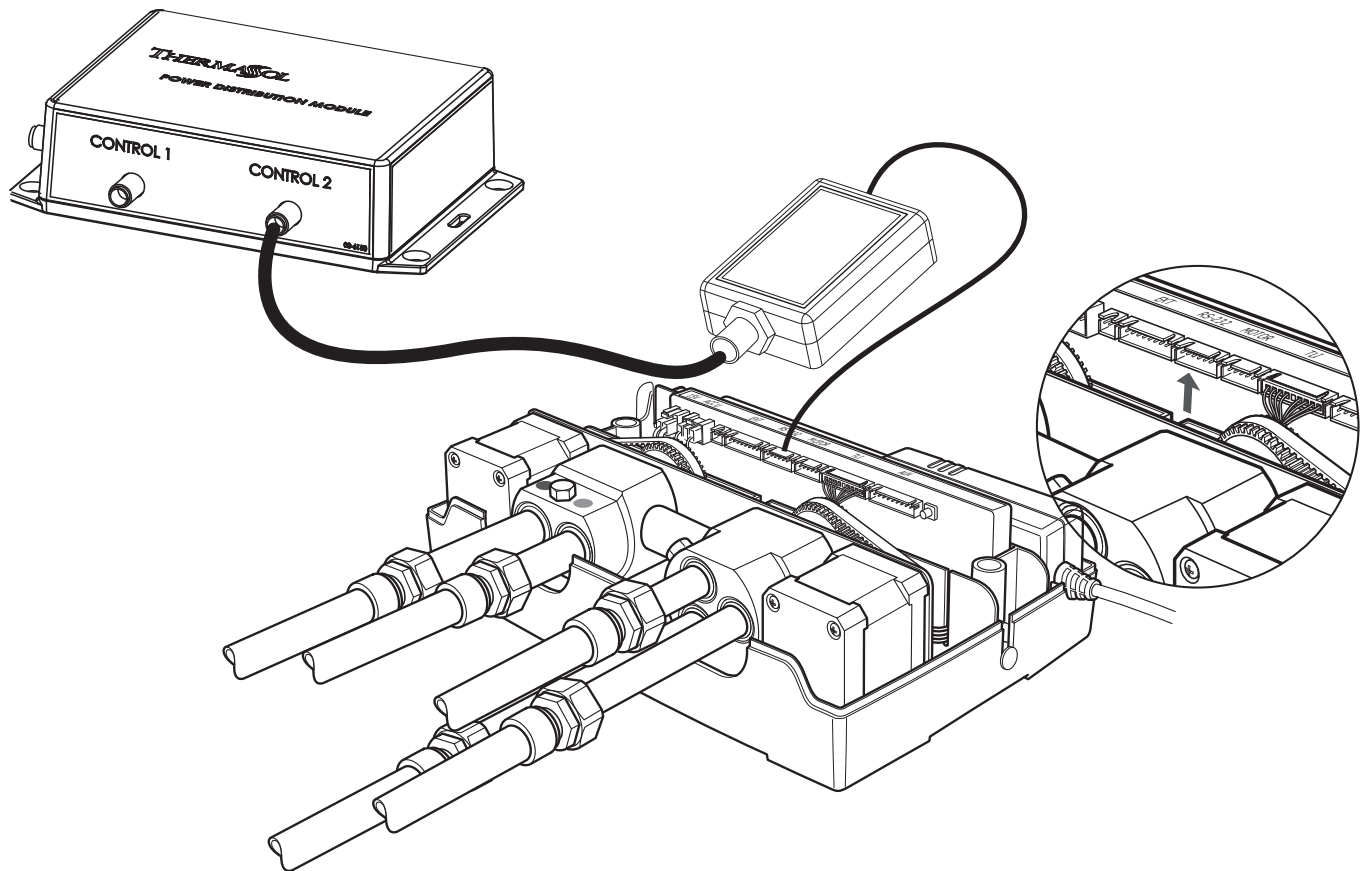
13 Connect Back Up Battery



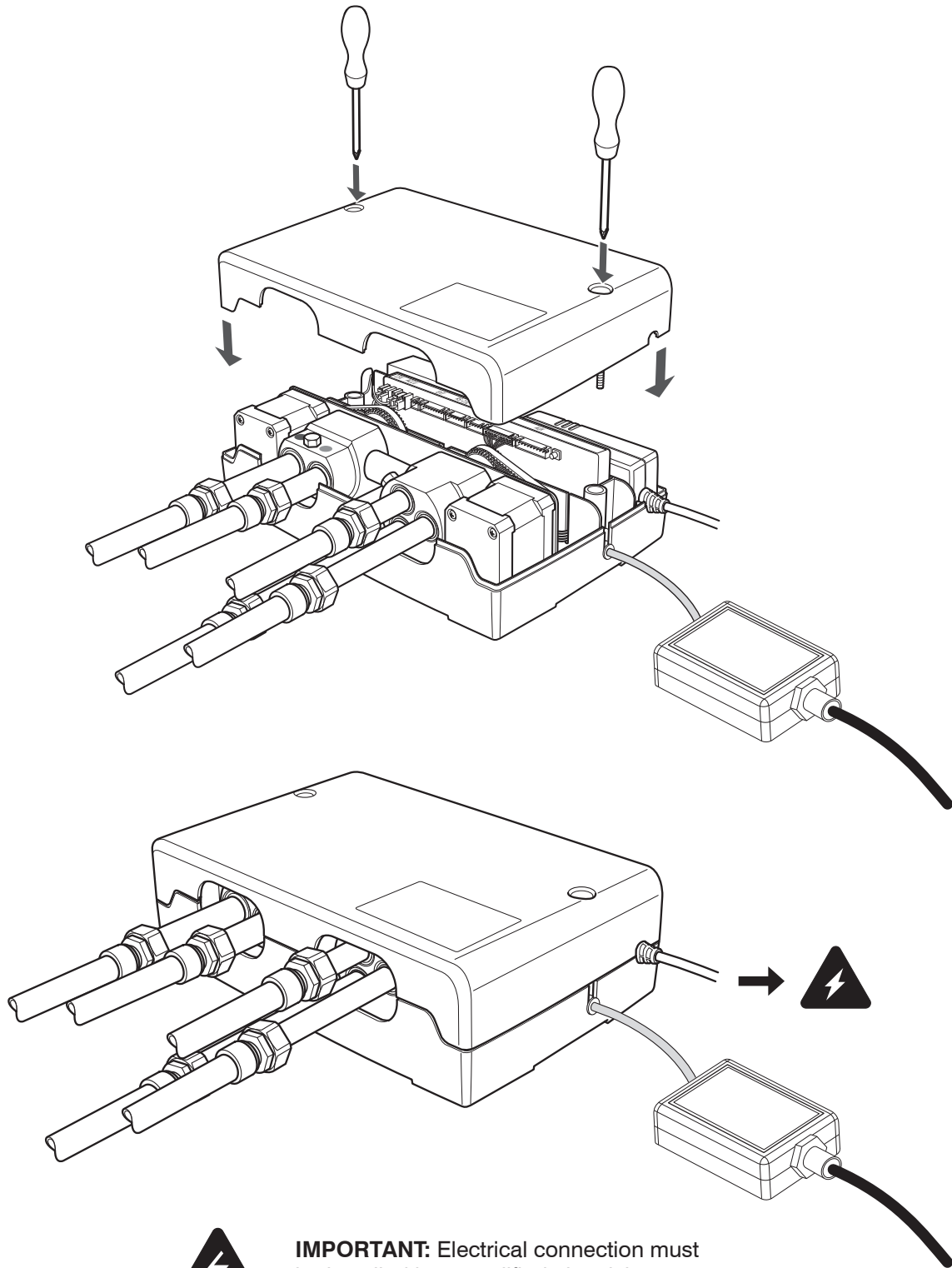
14 Connect The Digital Interface



15 Connect The PDM



16 Re-fit Cover and Connect



IMPORTANT: Electrical connection must be installed by a qualified electrician.

ThermaSol Product Registration

Dear ThermaSol End User:

Please register your product at www.thermasol.com/warranty so we can assist you much quicker if you ever need to contact our Technical Support Department.

In addition we'll keep you informed about your product and time to time we'll update you about new products and other company announcements.

Thank you from all of us at ThermaSol and we wish you many relaxing and steamy days ahead.

We will not sell, rent or share your personal information.



1958 Steam Way
Round Rock, TX 78665

THERMASOL®

Steam & Showering Systems



1958 STEAM WAY ROUND ROCK, TX 78665
PHONE: 800.776.0711 | FAX: 800.556.5257 | WWW.THERMASOL.COM

81245_NC