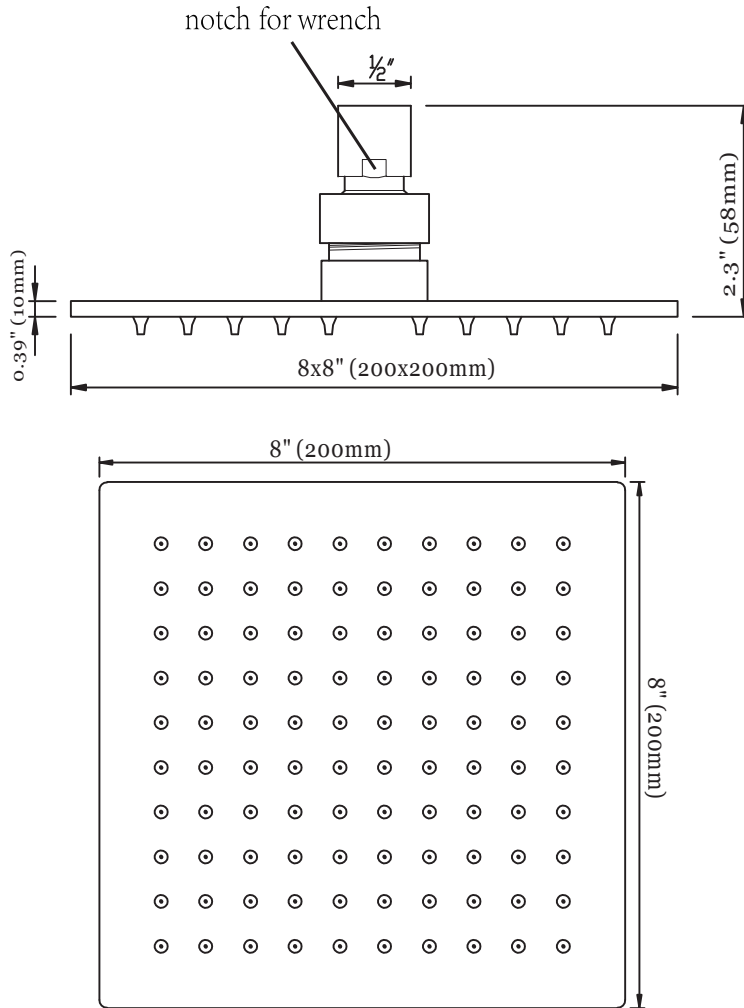
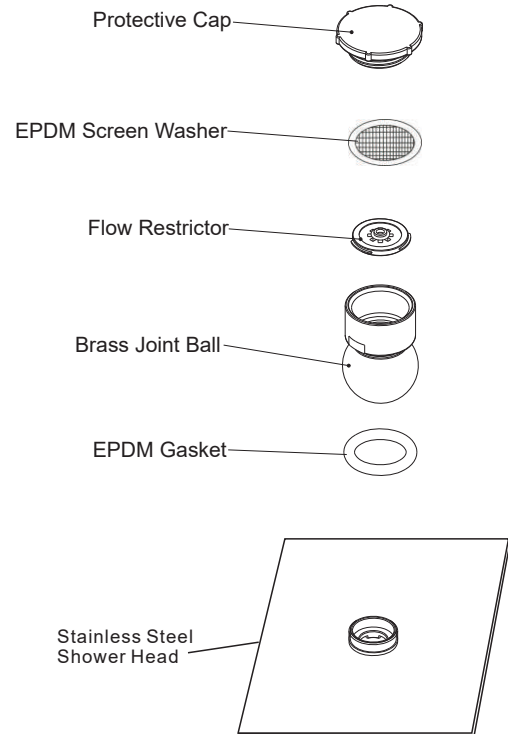


8" Square shower head Installation instruction

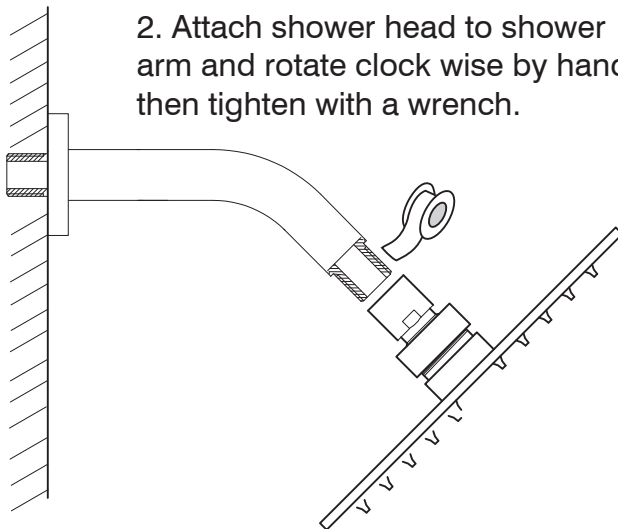


Use a licensed plumber
for installation



WALL

1. Wrap Teflon tape clockwise
2. Attach shower head to shower arm and rotate clock wise by hand, then tighten with a wrench.



Shower Head Installation Suggestion Only.
Teflon Tape and Shower Arm are excluded
in Shower Head Packing box.

This shower head is supplied with a blue 1.6 GPM
flow restrictor and meets CEC Requirements.

If you are not satisfied with the flow, non-California
residents can replace the restrictor with this white
2.5GPM restrictor. Check local water conservation
codes before changing the restrictor.

IMPORTANT: Re-insert protective stainless-steel
screen on top of restrictor.

SPECIFICATION SHEET

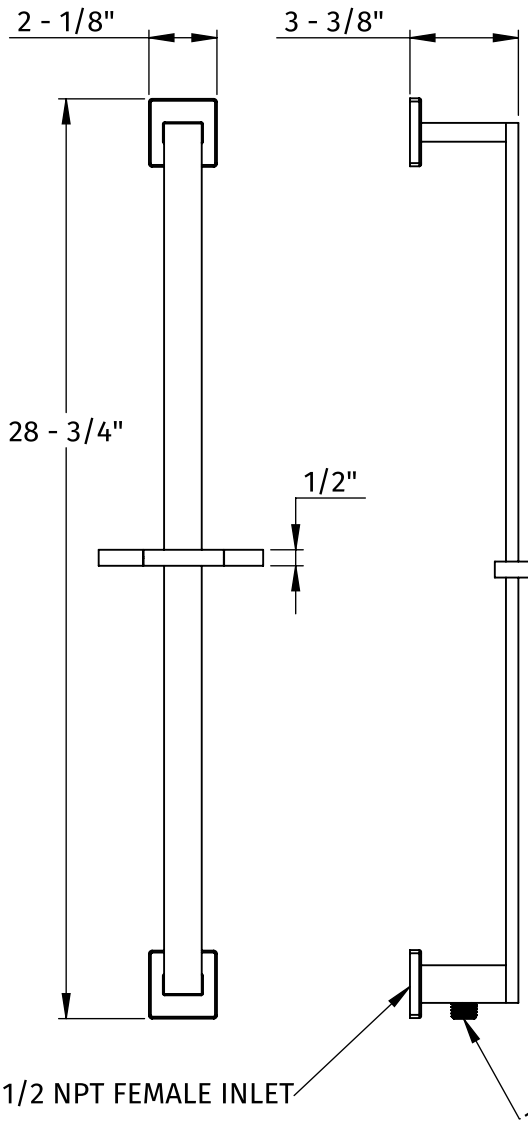
15-1006-XXX

Square shower rail W/ bottom outlet and itegral waterway

THERMASOL®

Steam & Showering Systems

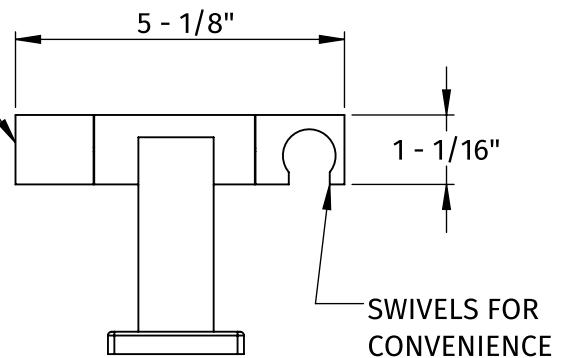
- Stainless steel construction
- Slim profile
- Integral water outlet eliminates the need for a separate waterway elbow
- Height adjustable swiveling cradle for hand shower
- Mounting hardware included



AVAILABLE FINISHES:

ORB: Oil Rubbed Bronze, PC: Polished Chrome,
PN: Polished Nickel, SN: Satin Nickel, MB: Matte Black

TWIST TO ADJUST
HEIGHT OF HAND
SHOWER CRADLE



FINISH CARE & MAINTENANCE

Never use any harsh alkali, acid based detergents or cleaners such as soft scrub®, scrubbing bubbles® or comet® to clean. Do not use brillo® and scotch brite® pads. These will all harm the finish. To clean, use only a damp soft cloth and wipe using a soft cloth. Standard windex® can also be used sparingly. It is not necessary to wipe hard to remove spots. To maintain the finish, wipe with a soft dry cloth after use. An occasional coat of pure carnauba wax without cleaners will help protect the finish.

SPECIFICATION SHEET

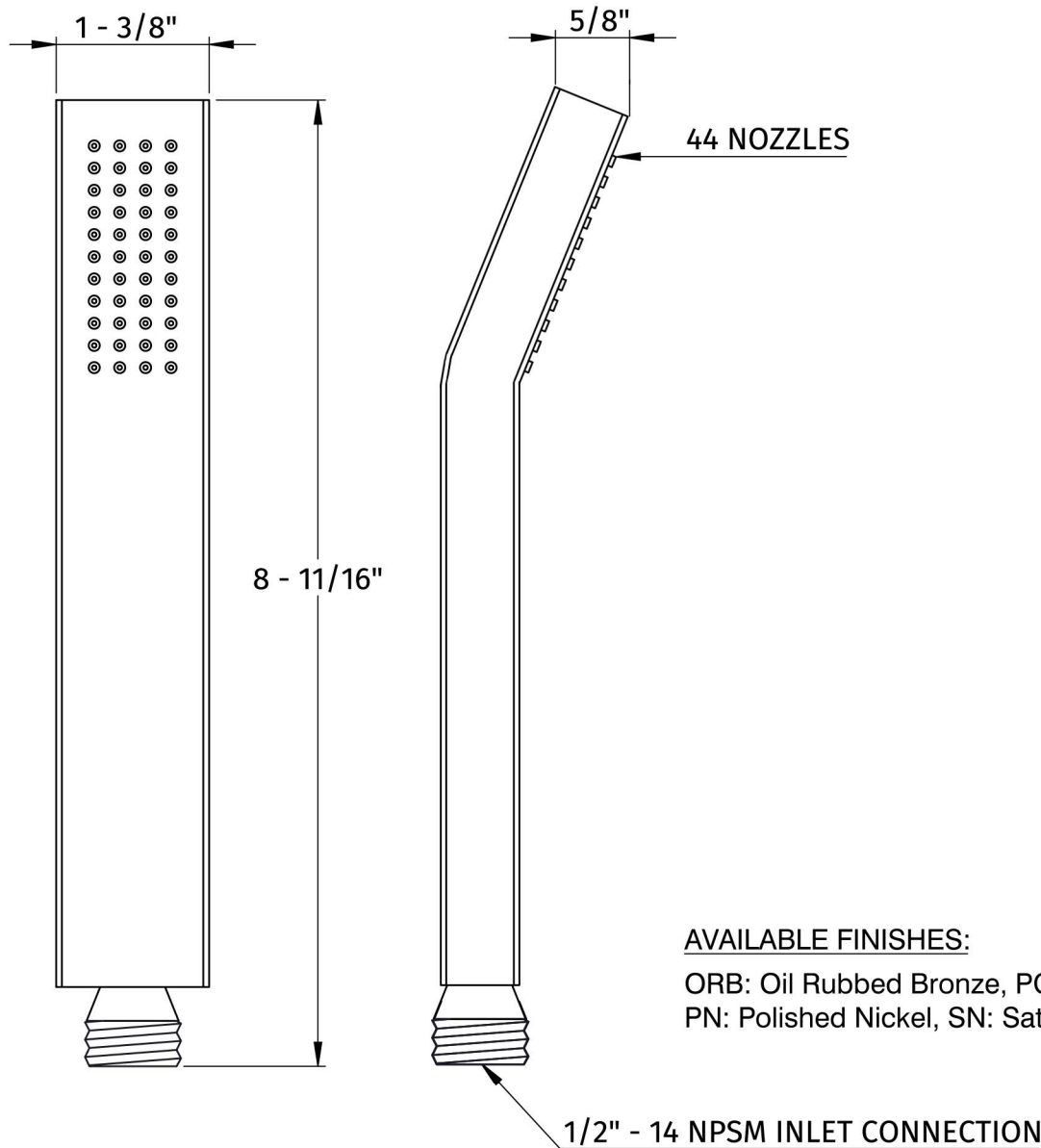
15-1005-XXX

Square hand
shower wand

THERMASOL[®]

Steam & Showering Systems

- Solid brass construction
- Single function hand shower
- Includes 1.6 GPM flow
- Double walled construction to prevent scalding



AVAILABLE FINISHES:

ORB: Oil Rubbed Bronze, PC: Polished Chrome,
PN: Polished Nickel, SN: Satin Nickel, MB: Matte Black

FINISH CARE & MAINTENANCE

Never use any harsh alkali, acid based detergents or cleaners such as soft scrub[®], scrubbing bubbles[®] or comet[®] to clean. Do not use brillo[®] and scotch brite[®] pads. These will all harm the finish. To clean, use only a damp soft cloth and wipe using a soft cloth. Standard windex[®] can also be used sparingly. It is not necessary to wipe hard to remove spots. To maintain the finish, wipe with a soft dry cloth after use. An occasional coat of pure carnauba wax without cleaners will help protect the finish.

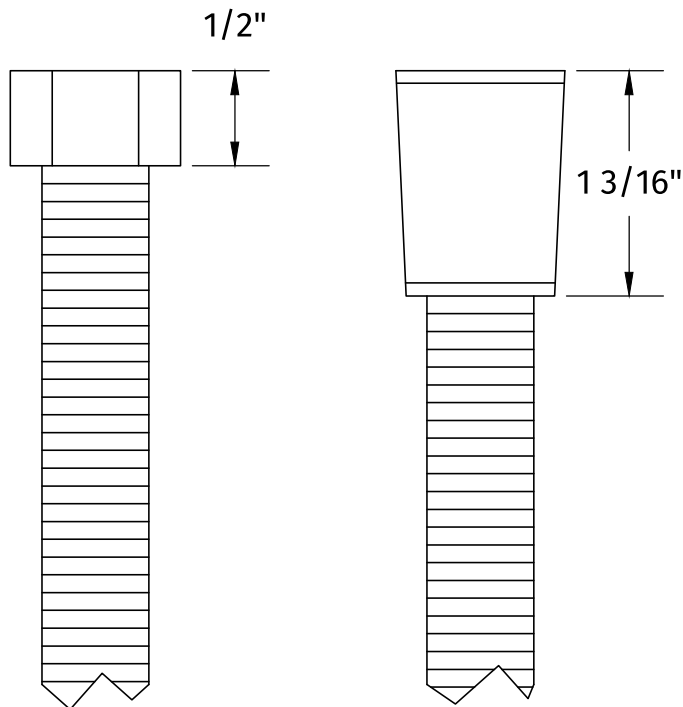
SPECIFICATION SHEET

15-1003-XXX

Stainless steel
handshower hose

THERMASOL[®]
Steam & Showering Systems

- Stainless steel hose
- Solid brass 1/2" female IPS connectors
- Five foot in length
- Includes washers for sealing connections



AVAILABLE FINISHES:

ORB: Oil Rubbed Bronze, PC: Polished Chrome,
PN: Polished Nickel, SN: Satin Nickel, MB: Matte Black

FINISH CARE & MAINTENANCE

Never use any harsh alkali, acid based detergents or cleaners such as soft scrub[®], scrubbing bubbles[®] or comet[®] to clean. Do not use brillo[®] and scotch brite[®] pads. These will all harm the finish. To clean, use only a damp soft cloth and wipe using a soft cloth. Standard windex[®] can also be used sparingly. It is not necessary to wipe hard to remove spots. To maintain the finish, wipe with a soft dry cloth after use. An occasional coat of pure carnauba wax without cleaners will help protect the finish.

SPECIFICATION SHEET

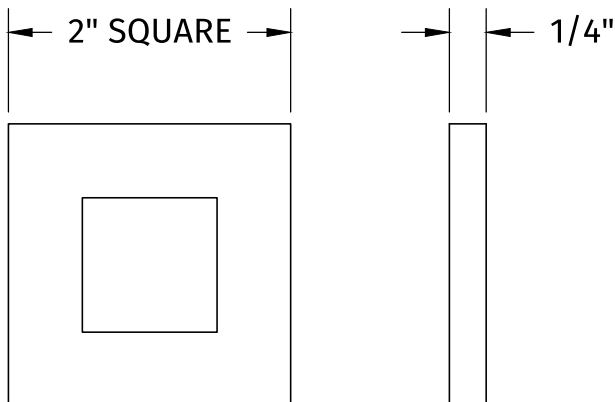
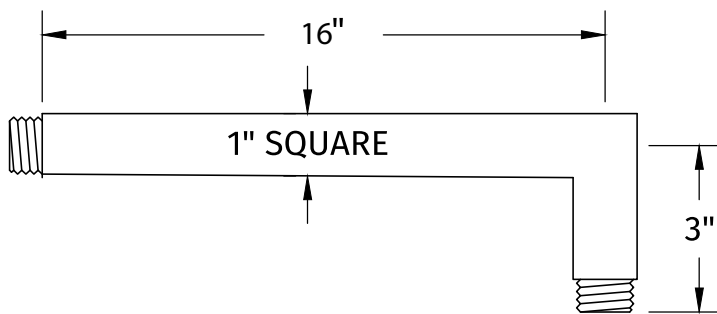
15-1004-XXX

Square 90° bend
wall rain arm

THERMASOL®

Steam & Showering Systems

- Solid brass construction
- Includes decorative brass escutcheon
- 1/2" NPT



AVAILABLE FINISHES:

ORB: Oil Rubbed Bronze, PC: Polished Chrome,
PN: Polished Nickel, SN: Satin Nickel, MB: Matte Black

FINISH CARE & MAINTENANCE

Never use any harsh alkali, acid based detergents or cleaners such as soft scrub®, scrubbing bubbles® or comet® to clean. Do not use brillo® and scotch brite® pads. These will all harm the finish. To clean, use only a damp soft cloth and wipe using a soft cloth. Standard windex® can also be used sparingly. It is not necessary to wipe hard to remove spots. To maintain the finish, wipe with a soft dry cloth after use. An occasional coat of pure carnauba wax without cleaners will help protect the finish.