

# T24IR905SP

## 24-INCH BUILT-IN FRESH FOOD COLUMN

FREEDOM® COLLECTION, PANEL-READY



### FEATURES & BENEFITS

- Full Stainless Steel Inner Liner
- Freedom® Hinge enables true flush design
- Auto Door Opening provides the opening of the door with just a slight push or pull
- ThermaFresh System, Humidity and Temperature controlled drawers
- SoftClose® Drawers for easy and controlled storage
- Sleek clean design for the perfect symmetry when paired with additional columns
- TFT control panel managing all your columns functions

### TEMPERATURE RANGES

Refrigerator	36°F (2°C) to 46°F (8°C)
Temperature Controlled Drawer	30°F (-1°C) to 38°F (3°C)
SuperCool	36°F (2°C) for approximately 6 hours
Energy Saving (Economy) Mode	43°F (6°C)

### GENERAL PROPERTIES

Home Connect® (Wi-Fi Enabled)	Yes
Panel Ready	Yes
Reversible Door Swing	Yes
SoftClose® Door	Yes
SoftClose® Drawers	Yes
Carbon Air Filter	Yes
Lighting	LED Sidewall and Theater Lighting
Refrigerator Shelves	4
Adjustable Shelves	3
Shelf Material	Glass w/Aluminum Profile
Full Extension Drawers @ 115° Door Opening Angle	Yes
Full Extension Drawers @ 90° Door Opening Angle	Yes
General Use Drawer	1
Humidity Managed Drawer	1
Temperature Controlled Drawer	1
Door Bins	3
Gallon Door Bins	1
Door Open Alarm	Yes
Open Door Assist	Yes
Special Modes	Sabbath, Economy, Vacation

### CAPACITY

Total Capacity (cu. ft.)	13.0 cu. ft.
--------------------------	--------------

### PERFORMANCE

Dedicated Evaporator & Compressor System	Yes
Freeflow® Cold Air System	Yes
SuperCool	Yes

### TECHNICAL DETAILS

Watts (W)	350 W
Current (A)	15 A
Volts (V)	110-120 V
Frequency (Hz)	60 Hz
Power Cord Length (in.)	118
Plug Type	120V-3 Prong

### DIMENSIONS & WEIGHT

Appliance Dimensions (H x W x D) (in.)	83 3/4"* x 23 3/4" x 24"
Required Cutout Size (H x W x D) (in.)	84" x 24" x 25"
Net / Gross Weight (lbs)	330 / 352 lbs

### EFFICIENCY

ENERGY STAR® Certified	Yes
Annual Energy Consumption	254 kWh

\*Height adjustable + / -1/2" (+ / -13 mm)

# T24IR905SP

## 24-INCH BUILT-IN FRESH FOOD COLUMN

FREEDOM® COLLECTION, PANEL-READY

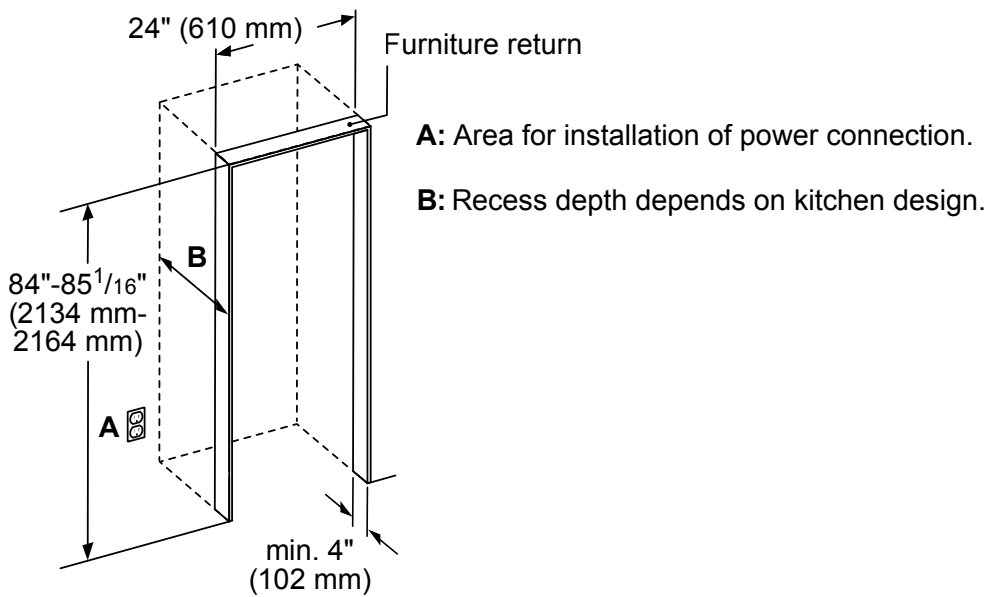


### WARRANTY

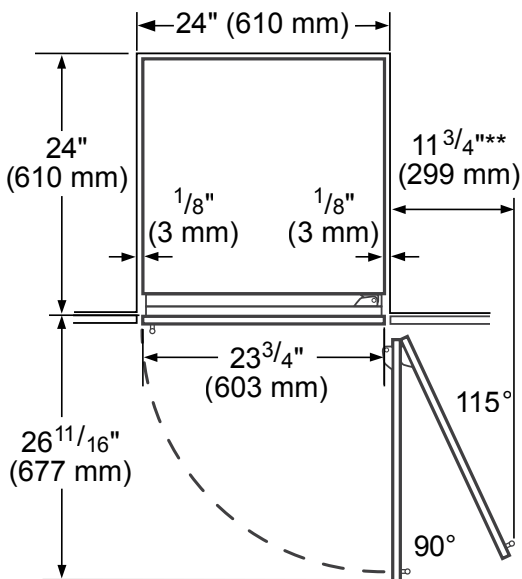
Limited, Entire Appliance, Parts and Labor on Any Part of the Refrigerator that Fails Because of a Manufacturing Defect	2 Year
Limited Warranty for Sealed Refrigeration System*; Parts and Labor	3rd to 6th Year
Limited Warranty for Sealed Refrigeration System*; Parts Only	7th to 12th Year
Limited Warranty for Stainless Steel Rust-Through	Lifetime

\*Sealed refrigeration system includes compressor, evaporator, condenser, dryer / strainer and connection tubing

### CUTOUT DIMENSIONS

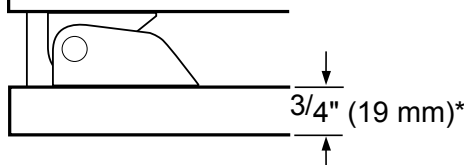


### TOP VIEW CLEARANCE



\*\* Door handle must be added to this dimension

\* Depends on the thickness of the furniture door. 3/4" (19 mm) is relevant for the stainless steel door. (special Accessory).



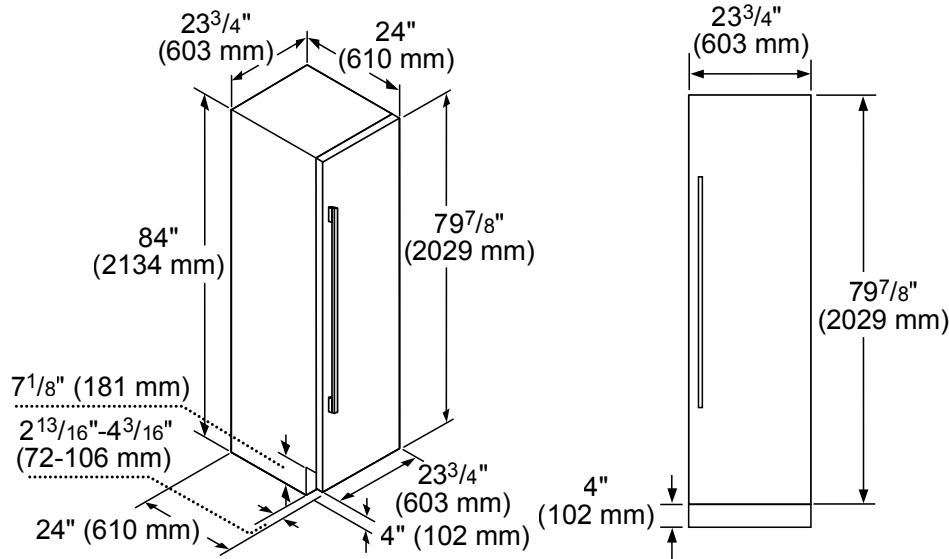
# T24IR905SP

## 24-INCH BUILT-IN FRESH FOOD COLUMN

FREEDOM® COLLECTION, PANEL-READY



### PRODUCT AND PANEL DIMENSIONS



### ACCESSORIES (OPTIONAL)

#### FLAT STAINLESS STEEL DOOR PANELS

24-Inch Flat Stainless Steel Door Panel



- TFL24IR800**  
For use with Handle
- TFL24IR905**  
Handleless

#### HANDLES

Choose between two options:

- PR36HNDL20**  
36-Inch Professional Series Handle
- or
- MS36HNDL20**  
36-Inch Masterpiece® Series Handle

#### STORAGE



- SPRODBIN10**  
Small Produce Bin



- LPRODBIN10**  
Large Produce Bin



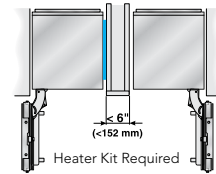
- 24PRODRAIL**  
24-Inch Produce Railing



- 24HFGALBIN**  
24-Inch Half Gallon Bin

#### FRAMEKIT10

**Freedom® Frame Kit**  
For any custom column installation in 24-inch deep cutouts. With two metal side trims whose placement between the interior cutout wall and the appliance helps overcome the challenge of unfinished cabinet returns.



#### HEATRKIT20 - 13W @ 120V

**Freedom® Heater Kit**  
When two appliances are installed side-by-side a sealing kit must be used. For combinations that involve a freezer column, this kit is included. For all other (non-traditional, i.e. two wine columns, two bottom freezers, etc.) side-by-side combinations or instances where any appliances are installed less than 6-inches (152 mm) apart from one another but not connected side-by-side, purchase this kit. This kit is recommended for use with any installation in areas that are subject to humidity, or located next to an outside wall.

These warranties give you specific legal rights and you may have other rights that vary from state to state. Limited warranty from date of delivery. For complete warranty details, refer to your Use & Care manual, or ask your dealer.

Specifications are for planning purposes only. Refer to installation instructions and consult your countertop supplier prior to making counter opening. Consult with a heating and ventilation engineer for your specific ventilation requirements. For the most detailed information, refer to installation instructions accompanying product or write to Thermador indicating the model number. Specifications are correct at time of printing. Thermador reserves the right to change product specifications or design without notice. Some models are certified for use in Canada. Thermador is not responsible for products that are transported from the U.S. for use in Canada.

# T24ID905RP

## 24-INCH BUILT-IN FREEZER COLUMN WITH ICE & WATER DISPENSER

FREEDOM® COLLECTION, PANEL-READY, RIGHT-HAND DOOR SWING



Also Available In:  
T24ID905RP – Left-Hand Door Swing

### FEATURES & BENEFITS

- Full Stainless Steel Inner Liner
- Freedom® Hinge enables true flush design
- Auto Door Opening provides the opening of the door with just a slight push or pull
- Energy Efficient Diamond Ice made with twist tray technology
- Smooth Filtered Lighting for clear and easy viewing of all product
- SoftClose® Drawers for easy and controlled storage
- Sleek clean design for the perfect symmetry when paired with additional columns
- TFT control panel managing all your columns functions

### TEMPERATURE RANGES

Freezer	-11°F (-24°C) to 7°F (-14°C)
SuperFreeze®	-22°F (-30°C) for approximately 52 hours
Energy Saving (Economy) Mode	3°F (-16°C)

### GENERAL PROPERTIES

Home Connect® (Wi-Fi Enabled)	Yes
Panel Ready	Yes
Reversible Door Swing	No
SoftClose® Door	Yes
SoftClose® Drawers	Yes
Lighting	LED Sidewall and Theater Lighting
Freezer Shelves	4
Adjustable Shelves	2
Shelf Material	Glass w/Aluminum Profile
Full Extension Drawers @ 115° Door Opening Angle	Yes
General Use Drawer	2
Door Bins	0
External LED Proximity Sensor	Yes
Oversized Dispenser Opening	Yes
Chilled Water, Crushed and Cubed Ice	Yes
Rapid Water Replenishment System	Yes
Ice Maker with Diamond Ice System	Yes
Door Open Alarm	Yes
Open Door Assist	Yes
Special Modes	Sabbath, Economy, Vacation

### CAPACITY

Total Capacity (cu. ft.)	11.2 cu. ft.
--------------------------	--------------

### PERFORMANCE

Dedicated Evaporator & Compressor System	Yes
SuperFreeze®	Yes
Defrost Process	Frost-Free

### TECHNICAL DETAILS

Watts (W)	350 W
Current (A)	15 A
Volts (V)	110-120 V
Frequency (Hz)	60 Hz
Power Cord Length (in.)	118
Plug Type	120V-3 Prong

### DIMENSIONS & WEIGHT

Appliance Dimensions (H x W x D) (in.)	84"* x 23 3/4" x 24"
Required Cutout Size (H x W x D) (in.)	84" x 24" x 25"
Net / Gross Weight (lbs)	342 / 364 lbs

### EFFICIENCY

ENERGY STAR® Certified	Yes
Annual Energy Consumption	454 kWh

\*Height adjustable + / -1/2" (+ / -13 mm)

# T24ID905RP

## 24-INCH BUILT-IN FREEZER COLUMN WITH ICE & WATER DISPENSER

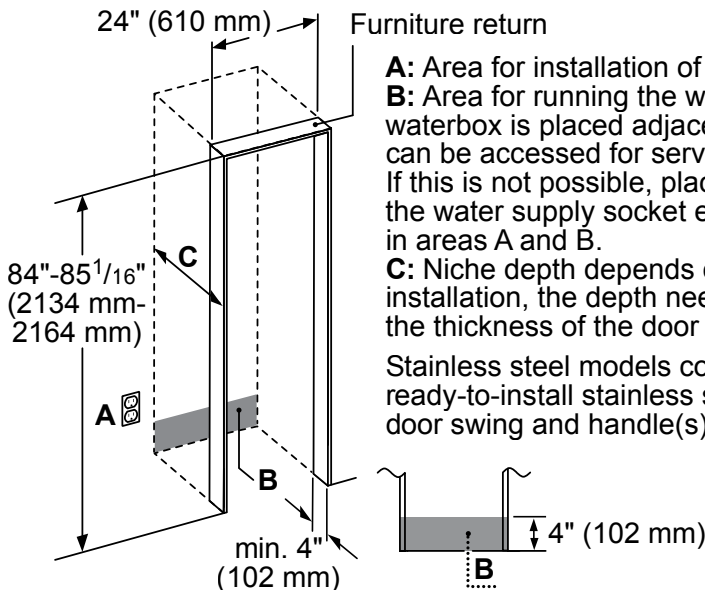
FREEDOM® COLLECTION, PANEL-READY, RIGHT-HAND DOOR SWING



WARRANTY	
Limited, Entire Appliance, Parts and Labor on Any Part of the Refrigerator that Fails Because of a Manufacturing Defect	2 Year
Limited Warranty for Sealed Refrigeration System*; Parts and Labor	3rd to 6th Year
Limited Warranty for Sealed Refrigeration System*; Parts Only	7th to 12th Year
Limited Warranty for Stainless Steel Rust-Through	Lifetime

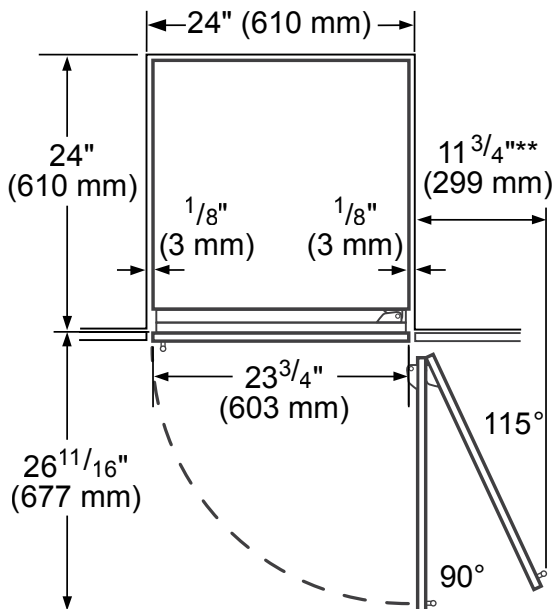
\*Sealed refrigeration system includes compressor, evaporator, condenser, dryer / strainer and connection tubing

### CUTOUT DIMENSIONS



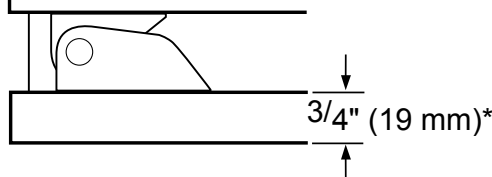
**A:** Area for installation of power connection.  
**B:** Area for running the water line. It is recommended that the waterbox is placed adjacent to the installation cavity, so that it can be accessed for service without uninstalling the appliance. If this is not possible, place the recessed waterbox adjacent to the water supply socket elevated at the heights as referenced in areas A and B.  
**C:** Niche depth depends on kitchen design. For a flush installation, the depth needs to be at least 24 inches plus the thickness of the door panel.  
 Stainless steel models contain a panel-ready base unit, ready-to-install stainless steel door(s) with a right or left door swing and handle(s).

### TOP VIEW CLEARANCE



\*\* Door handle must be added to this dimension

\* Depends on the thickness of the furniture door. 3/4" (19 mm) is relevant for the stainless steel door. (special Accessory).



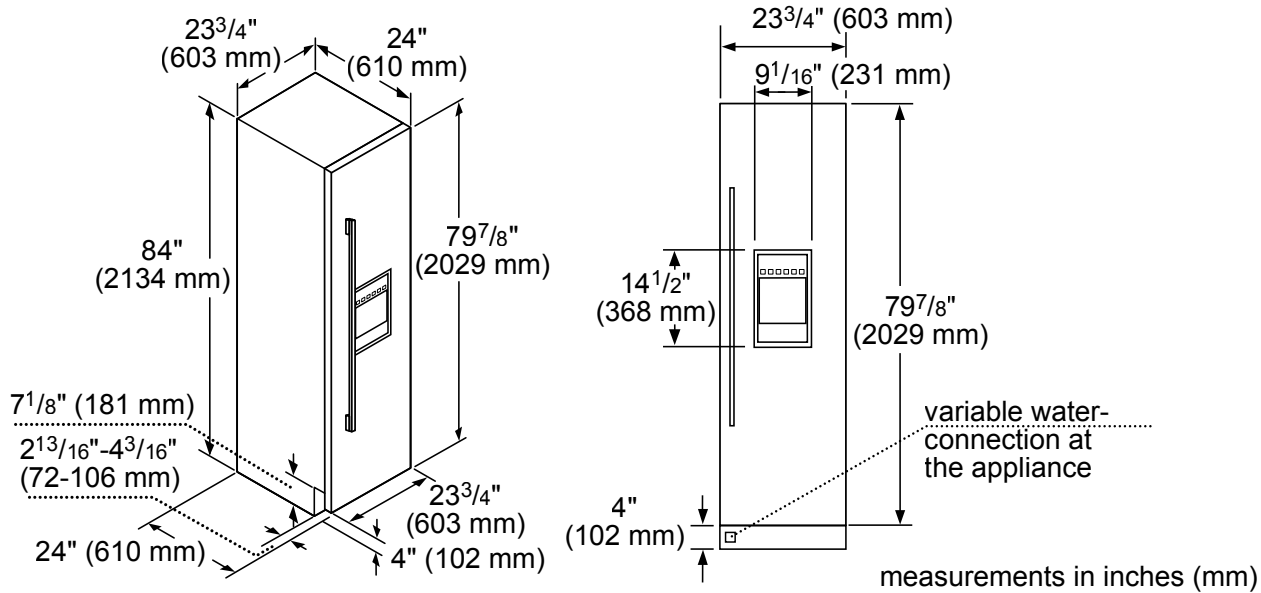
# T24ID905RP

## 24-INCH BUILT-IN FREEZER COLUMN WITH ICE & WATER DISPENSER

FREEDOM® COLLECTION, PANEL-READY, RIGHT-HAND DOOR SWING



### PRODUCT AND PANEL DIMENSIONS



### ACCESSORIES (OPTIONAL)

#### FLAT STAINLESS STEEL DOOR PANELS

24-Inch Flat Stainless Steel Door Panel With Dispenser

-  **TFL24ID800**  
For use with Handle
-  **TFL24ID905**  
Handleless

#### STORAGE



-  **ICEBUCKETL**  
Large Ice Bucket

#### FRAMEKIT10


Freedom® Frame Kit  
For any custom column installation in 24-inch deep cutouts. With two metal side trims whose placement between the interior cutout wall and the appliance helps overcome the challenge of unfinished cabinet returns.

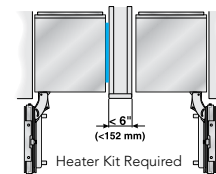
#### HANDLES

Choose between two options:

-  **PR36HNDL20**  
36-Inch Professional Series Handle
- or
-  **MS36HNDL20**  
36-Inch Masterpiece® Series Handle

#### FILTERS

-  **REPLFLTR55**  
Freedom® Water Filter  
Replacement water filter for use in all freezer and bottom freezer models



#### HEATRKIT20 – 13W @ 120V

Freedom® Heater Kit

When two appliances are installed side-by-side a sealing kit must be used. For combinations that involve a freezer column, this sealing kit is included. For all other (non-traditional, i.e. two wine columns, two bottom freezers, etc.) side-by-side combinations or instances where any appliances are installed less than 6-inches (152 mm) apart from one another but not connected side-by-side, purchase this kit. This kit is recommended for use with any installation in areas that are subject to humidity, or located next to an outside wall.

These warranties give you specific legal rights and you may have other rights that vary from state to state. Limited warranty from date of delivery. For complete warranty details, refer to your Use & Care manual, or ask your dealer.

Specifications are for planning purposes only. Refer to installation instructions and consult your countertop supplier prior to making counter opening. Consult with a heating and ventilation engineer for your specific ventilation requirements. For the most detailed information, refer to installation instructions accompanying product or write to Thermador indicating the model number. Specifications are correct at time of printing. Thermador reserves the right to change product specifications or design without notice. Some models are certified for use in Canada. Thermador is not responsible for products that are transported from the U.S. for use in Canada.