

Product Features

Compatible with 42" wide Professional Wall Hood

Telescoping design

Perfect match to stainless steel finish of the Thermador Professional Wall Hoods

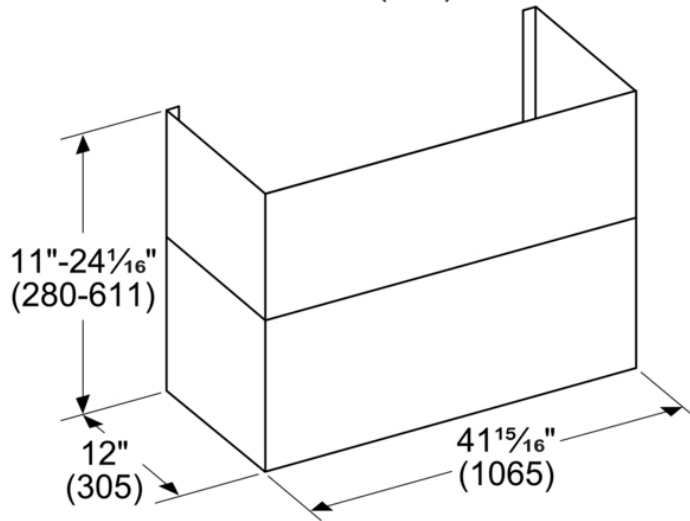
Two pieces included in the telescoping design

Lower duct cover piece is 11" Tall; Upper duct cover piece is 14-1/16" tall

Can also be installed with only lower duct cover piece

Notes: Please refer to installation instructions. Installation instructions are available at www.thermador.com. Specifications are correct at the time of printing. Thermador reserves the right to change product specifications and design at any time, without notice.

measurements in inches (mm)



Product Features

	Accessory
Brand	Thermador
SKU	DC4289W
Internal article number	00000000023000921
EAN code	825225962052
Product packaging dimensions (HxWxD)	13 7/8" x 35 5/8" x 16 7/8"
	26
	26
UPC code	825225962052
Product image	12847082_DC4289W_def.jpg

Technical Specification

Notes: Please refer to installation instructions. Installation instructions are available at www.thermador.com. Specifications are correct at the time of printing. Thermador reserves the right to change product specifications and design at any time, without notice.

1 800 735 4328 | WWW.THERMADOR.COM | 1901 Main Street, Suite 600 Irvine, CA 92614

©2022 BSH HOME APPLIANCES CORPORATION, ALL RIGHTS RESERVED LITHO DATE: 03/2022