

*Use and care*  
**GUIDE**

---

DWHD770C\*\*

Dishwasher





# *Table of* **CONTENTS**

---

Safety Definitions .....	4
IMPORTANT SAFETY INSTRUCTIONS .....	5
Causes of Damage .....	7
Getting Started .....	8
Home Connect™ .....	12
Water softening system / special salt .....	14
Rinse Aid .....	16
Loading the Dishwasher .....	17
Detergent .....	27
Dishwasher Cycles .....	29
Dishwasher Cycle Options .....	30
Operating the Dishwasher .....	32
Care and Maintenance .....	36
Troubleshooting .....	39
Customer Service .....	44
Statement of Limited Product Warranty .....	45

*This THERMADOR Appliance is made by*  
BSH Home Appliances Corporation  
1901 Main Street, Suite 600  
Irvine, CA 92614

---

*Questions?*  
1-800-735-4328  
[www.thermador.com](http://www.thermador.com)  
*We look forward to hearing from you!*

---

# Safety Definitions

---

## **▲ WARNING**

This indicates that death or serious injuries may occur as a result of non-observance of this warning.

---

---

## **▲ CAUTION**

This indicates that minor or moderate injuries may occur as a result of non-observance of this warning.

---

**NOTICE:** This indicates that damage to the appliance or property may occur as a result of non-compliance with this advisory.

**Note:** This alerts you to important information and/or tips.



# **IMPORTANT SAFETY INSTRUCTIONS**

## READ AND SAVE THESE INSTRUCTIONS

This dishwasher is provided with Installation Instructions and this Use and Care Manual. Read and understand all instructions before using the dishwasher.

This dishwasher is intended for use up to a maximum altitude of 13,000 ft (4,000 meters) above sea level.

**To reduce the risk of fire, electrical shock, or serious injury, observe the following:**

---

### **WARNING**

---

#### **RISK OF INJURY OR DEATH**

Misuse of the dishwasher can result in serious injury or death. Do not use the dishwasher in any way not covered in this manual or for any purpose other than those explained in the following pages.

---

---

### **WARNING**

---

#### **RISK OF INJURY**

Severe injury and/or product damage could result from the use of unauthorized service technicians or non-original replacement parts. All repairs must be performed by an authorized service technician using only original equipment factory replacement parts.

---

---

### **WARNING**

---

#### **RISK OF ELECTRICAL SHOCK OR FIRE**

Electrical shock or fire could result if the electrical supply for the dishwasher covered in this manual is incorrectly installed or if the dishwasher has been improperly grounded. Do not use the dishwasher covered in this manual unless you are certain the electrical supply has been correctly installed and the dishwasher has been properly grounded.

---

---

### **WARNING**

---

#### **HEALTH HAZARD**

Never use harsh chemicals to clean your dishwasher. Some bleach-based products can damage your dishwasher and may present health hazards!

---

## **GROUNDING INSTRUCTIONS**

This appliance must be grounded to a metal, permanent wiring system or an equipment grounding conductor must be run with the circuit conductors and connected to the equipment grounding terminal or lead on the dishwasher. See the Installation Instructions included with this dishwasher for more information on electrical requirements.

---

### **WARNING**

---

#### **RISK OF ELECTRIC SHOCK**

This appliance must be grounded. In the event of a malfunction or breakdown, grounding will reduce the risk of electric shock by providing a path of least resistance for electric current. This appliance is equipped with a cord having an equipment-grounding conductor. Improper connection of the equipment-grounding conductor can result in risk of electric shock. Check with a qualified electrician if you are in doubt whether the appliance is properly grounded.

---

## **Safe Operation**

Use this dishwasher only for its intended function, which is the washing of household dishware and kitchenware rated as dishwasher safe.

Use only detergents or rinsing agents recommended for use in a dishwasher, and keep them out of the reach of children.

---

### **CAUTION**

---

When loading items to be washed:

---

- Locate sharp items so they are not likely to damage the door seal.
  - Load knives and other sharp utensils with their HANDLES UP to reduce the risk of cut-type injuries.
  - Do not wash plastic items unless they are marked "dishwasher safe" or the equivalent. For plastic items not so marked, check the manufacturer's recommendations.
  - Do not operate your dishwasher unless all enclosure panels are in place.
  - Do not tamper with or override controls and interlocks.
- 

Do not abuse, sit or stand on the door or dish racks of the dishwasher.

# **IMPORTANT SAFETY INSTRUCTIONS**

READ AND SAVE THESE INSTRUCTIONS

---

## **WARNING**

---

### **RISK OF INJURY**

To avoid risk of injury, always use caution when opening the door during or following a wash cycle as hot water or steam may escape. Do not fully open the door until water noises have stopped and steam has subsided.

To reduce risk of injury, do not allow children to play in or on the dishwasher.

When children become old enough to operate the appliance, it is the responsibility of the parents/legal guardians to ensure the children are instructed in safe practices by qualified persons.

---

NSF/ANSI 184 Certified residential dishwashers are not intended for licensed food establishments.

## **Proper Care and Maintenance**

---

## **WARNING**

---

### **RISK OF EXPLOSION**

Under certain conditions, hydrogen gas may be produced in a hot water system that has not been used for two weeks or more. Hydrogen gas is explosive. Before using a dishwasher that is connected to a hot water system that has been unused for two weeks or longer, turn on all hot water faucets and let the water flow from each for several minutes. This will release any accumulated hydrogen gas. As the gas is explosive, do not smoke or use an open flame during this time.

---

Remove the dishwasher door to the washing compartment when removing an old dishwasher for service or discarding.

To avoid floor damage and possible mold growth, do not allow wet areas to remain around or under the dishwasher.

**Note:** To avoid dishwasher damage, do not allow water to remain in your dishwasher systems through extended periods of freezing temperatures. Freezing temperatures can damage the water fill valve and potentially other components of your dishwasher.

**NOTICE:** It is highly recommended for the end user to become familiar with the procedure to shut off the incoming water supply and the procedure to shut off the incoming power supply. See the Installation Instructions or contact your installer for more information.

## **State of California Proposition 65 Warning:**

---

## **WARNING**

---

This product can expose you to chemicals including vinyl chloride, which is known to the State of California to cause cancer and birth defects or other reproductive harm. For more information go to [www.P65Warnings.ca.gov](http://www.P65Warnings.ca.gov).

---

---

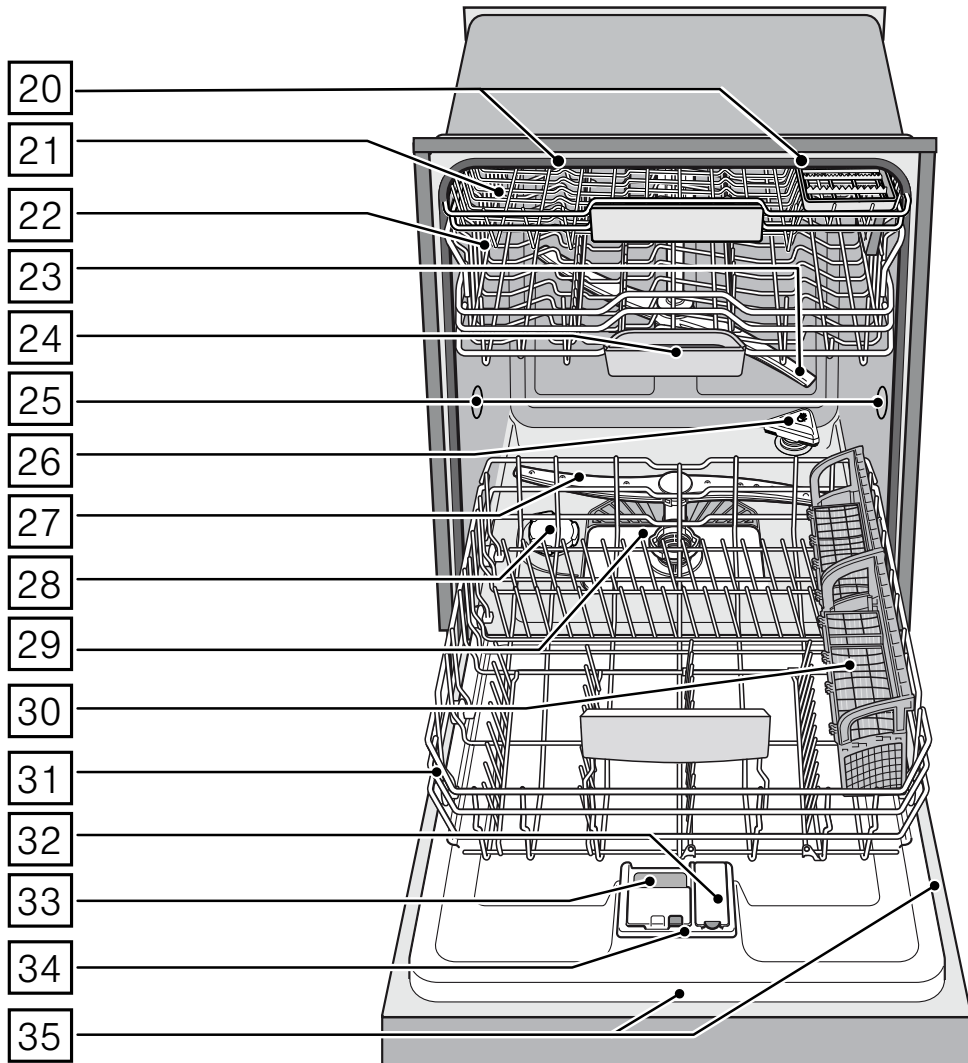
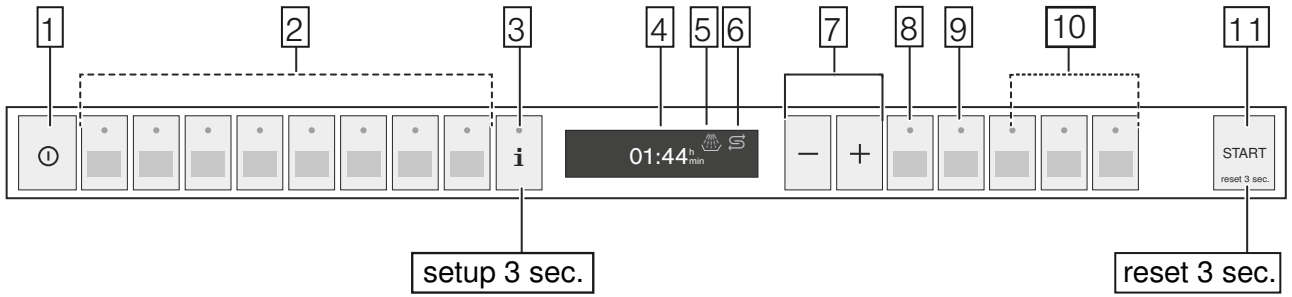
# Causes of Damage

## **NOTICES**

- Never use steam cleaning products to clean your dishwasher. The manufacturer will not be liable for the possible damages or consequences.
- To avoid possible dishwasher damage, do not use harsh chemicals, bleach-based wipes, abrasive cleaners, scouring pads (metal or plastic), or abrasive cloths/paper towels to clean your dishwashers exterior door panel. Your dishwasher's exterior door panel can be damaged by doing so.
- To avoid dishwasher damage, do not load the dishwasher with paper products, plastic bags, packing materials or anything other than normal, dishwasher safe dishware and kitchenware.
- **Protect your dishwasher from the elements. Protect against freezing to avoid possible damage to the fill valve. Damage caused by freezing is not covered by the warranty.**

# Getting Started

## Appliance overview



The numbers stated below refer to the overview images on the previous page of this manual.

## Operating panel

- 1 On/Off button
- 2 Wash cycles\*\*
- 3 Info button **i**
- 4 Digital display
- 5 Rinse aid refill indicator
- 6 Salt refill indicator
- 7 Selection buttons
- 8 Delay start / < button
- 9 Remote start / > button
- 10 Wash cycle options\*\*
- 11 START button





**Note:** Some of the wash cycles and options will vary by model.

## Dishwasher interior components

- 20 Interior light
- 21 Third rack\*
- 22 Upper rack
- 23 Upper spray arm
- 24 Detergent tab tray
- 25 Vent hole
- 26 StarDry™ outlet
- 27 Lower spray arm
- 28 Dispenser for special salt
- 29 Filters
- 30 Silverware basket \*
- 31 Lower rack
- 32 Rinse aid dispenser
- 33 Detergent dispenser
- 34 Lock for detergent dispenser
- 35 Rating plate

\* optional feature which may or may not be included with your dishwasher.

## Display indicators

	Cycle time remaining
	Lights up when rinse aid is low
	Lights up when salt is low
	Lights up when wifi is connected

## Info button i

The Info button **i** can be used to display additional wash cycle information.

1. Press the Info button **i** 3.
2. Press the wash cycle button.  
Information on the selected wash cycle is indicated on the display window at the top 4.
3. To leave, press Info button **i** 3.

## Switching on the appliance for the first time

When the dishwasher is switched on for the first time, you are taken directly to the settings for switching on the

appliance for the first time. The following text is indicated on the display window at the top 4:

**Scroll with < >**

**Set with + -**

**Leave with setup 3 sec.**

The required settings for switching on the appliance for the first time are listed in the table below.

### Change the setting as follows:

1. Keep pressing button **>** 8 until the required setting is displayed.
2. Make the selection with setting buttons **+ -** 7.
3. Press and hold the Info button **i** 3 for 3 seconds.  
The selected setting has now been stored.

Settings	Factory setting	Infotext by pressing Info button i
<b>Switching on the appliance for the first time</b>		
Language	American English	Language selection.
Time format	24h	12h or 24h.
Time setting	12:00	Set the current time.
Water soft setting	°E 0 - 8 soft	Setting water hardness. When using Multitabs, select the lowest setting.
Rinse aid setting	Level 5	Amount of rinse aid affects drying.

## Settings

The dishwasher has been preset with certain settings for your convenience. You can change these factory setting.

### Change the setting as follows:

1. Open the door.
2. Switch on ON/OFF switch  1.
3. Press Info button **i**  3 for 3 seconds until the following text is indicated on the display window at the top  4:

**Scroll with < >**

**Set with - +**

**Leave with setup 3 sec.**

4. Keep pressing button **>**  8 until the required setting is displayed.
5. Make the selection with setting buttons **+ -**  7.
6. Press and hold the Info button **i**  3 for 3 seconds. The chosen setting has now been stored. You have the option of resetting all changed settings back to the original factory settings.

**Note:** When you reset your dishwasher to the factory settings, you are taken directly to the settings for switching on the appliance for the first time.

Setting	Factory setting	Infotext by pressing Info button <b>i</b>
Time setting	12:00	Set the current time.
Time format	12h	12h or 24h.
Time display	Time	Show end of wash cycle with display "Finish in" or "Finish at".
Language	American English	Language selection.
Water soft setting	°E 0 - 8 soft	Setting water hardness. When using Multitabs, select the lowest setting.
Rinse aid setting	Level 5	Amount of rinse aid affects drying.
Sensor setting	Standard	Adjustment of soiling detection for optimum cleaning result.
Extra dry	Off	Improved drying for glasses and plasticware.
Eco forecast	Off	Show the water and energy consumption.
Auto Power Off	Off	Appliance automatically switches off at end of rinsing process.
Emotion Light	On	Interior light.
Emotion Light 1*	On	Brightness setting for interior light.
Emotion Light 2 *	On	Color setting for interior light.
Emotion Light 3 *	On	Visual signalling of faults.
Time Remaining PowerBeam® *	On	While wash cycle is running, status information is projected onto floor.
Start Program	Auto	When switching on, Auto cycle is the default, or it can be set to 'last selected program.'
Signal volume	Level 2	Volume of signal at end of wash cycle.
Button volume	Level 2	Volume when using buttons.
Push 2x to open *	Off	Requires two presses on door to open.
Wifi	Off	Switch current network connection.
Greeting	On	When switching on the appliance, the brand logo can be deselected.
Network Connection		Manual or Auto.
Factory setting	Reset	Resetting to the factory setting.

\* depending on the features of your dishwasher

# Home Connect™

This dishwasher is Wi-Fi capable and can be remotely controlled via a mobile device.

If your dishwasher does not connect to the home network, you can also operate the dishwasher manually by pressing the buttons.

Refer to appliance overview for the location of the buttons. → "Appliance overview" on page 8

## Info button

The Info button [3] can be used to display additional wash cycle information.

1. Press the Info button [3].
2. Press the wash cycle button.  
Information on the selected wash cycle is indicated on the display window at the top [4].
3. To leave, press Info button [3].

## Setting up the app

To be able to operate the appliance via Home Connect, the Home Connect app must be installed on your mobile device.

Observe the supplied Home Connect documents with regard to this.

Follow the steps specified by the app to implement the settings.

## Setting up Home Connect

You can set your dishwasher by pressing the remote start button [9] or proceed as follows:

1. Open the door.
2. Switch on the On/Off switch [1].
3. Press Info button [3] for 3 seconds until the following text is indicated on the display window at the top [4]:  
**Scroll with** < >  
**Set with** - +  
**Leave with Setup 3 sec.**
4. Keep pressing button > [9] until the required setting is indicated on the display window at the top [4].
5. Make the setting with setting buttons + - [7]. See table in section
6. Press and hold the Info button [3] for 3 seconds. The chosen setting has now been stored.

## Wi-Fi

In the Wi-Fi menu you can activate the wireless network connection with "on" and deactivate it with "off".



## Notes

- If you have selected the Wi-Fi "off" setting, the "Network login" and "Connect to App" settings are not available.
- Remote control of the appliance requires a stable wireless network connection.

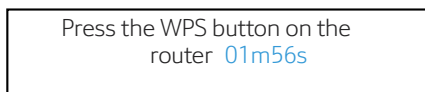
## Network login

The "Network login" menu option is not available unless you have activated Wi-Fi.

In the "Network login" menu you can select between "Autom./WPS" and "Manual" to connect the dishwasher to your home network.



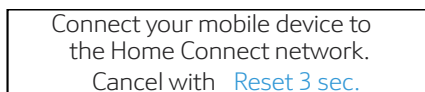
**Automatic:** Connect to the home network using the WPS function of your router.



**Manual:** Connect your mobile device to the Home Connect network. The network settings are then manually entered using the Home Connect App to connect to your home network.

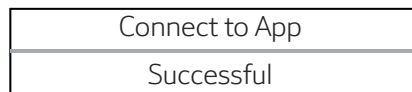
Refer to Home Connect leaflet for detailed instructions.

Following successful connection, the following text is indicated on the display window at the top [4].

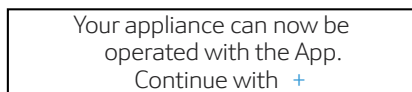


## Connect to App

The "Connect to App" menu option is not available unless there was a connection to the home network. The "Connect to App" setting establishes the link between the dishwasher, App and your user account.



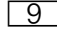
Following successful connection, the following text is indicated on the display window at the top [4].

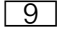


Refer to the Home Connect leaflet for further information.

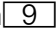
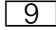


## Remote start button

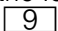
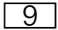
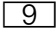

Once the dishwasher is connected to the home network, press the remote start button  to control the dishwasher from your device.

If the dishwasher has still not logged into Home Connect, access the Home Connect settings by pressing the remote start button .

Follow the directions in the supplied Home Connect leaflet.

**Note:** Your dishwasher is protected against unintentional operation. If the appliance door remains open for more than 4 seconds after pressing the Remote Start button , the operation will be paused. Press the Remote Start button  again and close the appliance door to resume control. Also see section

### Notes

- When the login process is complete, the Remote Start button  goes out.
- To activate the remote control, press the Remote Start button .
- If the Home Connect Assistant was aborted during start-up, press the Remote Start button  again.
- If the connection to the router fails,  flashes on the display.


## Wi-Fi without a connection to the Home Connect server

You can use the Home Connect App to disconnect from the Home Connect server.


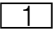
The appliance is then locally connected to your mobile device without any connection to the Home Connect server.

**Note:** If you did not deactivate the connection to the Home Connect server, check your Internet connection.

## Remote diagnosis

Customer Service can use Remote Customer Service  to access your appliance if you contact them.

### Notes

- You have to confirm Customer Service access on your appliance.
- You can switch off Remote Customer Service  using the On/Off switch  or deactivate Customer Service access in the Home Connect App.

# Water softening system / special salt

To ensure good rinsing results, the dishwasher requires soft water, i.e. water which is low in lime, otherwise limescale will be deposited on the utensils and interior container. Tap water above 7° dH (1.2 mmol/l) must be softened. The water is softened with special salt (regeneration salt) in the water softening system of the dishwasher. The setting and therefore the required amount of salt depends on the degree of hardness of your tap water (see following water hardness table).

## Water hardness table

Water hardness value °E	Hardness range	mmol/l	Set value on the machine
0-8	soft	0-1.1	0-8
9-10	soft	1.2-1.4	9-10
11-12	medium	1.5-1.8	11-12
13-15	medium	1.9-2.1	13-15
16-20	medium	2.2-2.9	16-20
21-26	hard	3.0-3.7	21-26
27-38	hard	3.8-5.4	27-38
39-62	hard	5.5-8.9	39-62

## Using a water hardness test strip

The strip will be included in the use and care kit.

### Sample test strip

Kurzeintauchen (1 sec), leicht abschütteln und nach 1 min ablesen. 4 grün/green/vert 2 rot/red/rouge 3 rot/red/rouge 4 rot/red/rouge	Dip briefly (1 sec), shake off excess water and compare after 1 min. [Color scale diagram]	Plongez brièvement (1 sec), égouttez l'excès d'eau et comparez après 1 min. [Color scale diagram]	<p><b>AQUADUR®</b> Teststäbchen zur Bestimmung der Wasserhärte Test stick for determination of water hardness Bandelette pour déterminer la dureté de l'eau</p>
--	---	--	---

## Adjusting the water softening system

The amount of salt dispensed can be set from 0 to 62°E. Salt is not required at the set value 0-8.

### Set the softening system as follows:

1. Ask your local water utility company for the water hardness value of the tap water.
2. Required setting can be found in the water hardness table.
3. Open the door.
4. Switch on ON/OFF switch [1].

5. Press Info button **i** [3] for 3 seconds until the following text is indicated on the display window at the top [4]:

**Scroll with < >**

**Set with - +**

**Leave with setup 3 sec.**

6. Keep pressing button > [8] until the water hardness is indicated on the display window at the top [4].
7. Make the selection with setting buttons + - [7].
8. Press and hold the Info button **i** [3] for 3 seconds. The chosen setting has now been stored.

## Using special salt

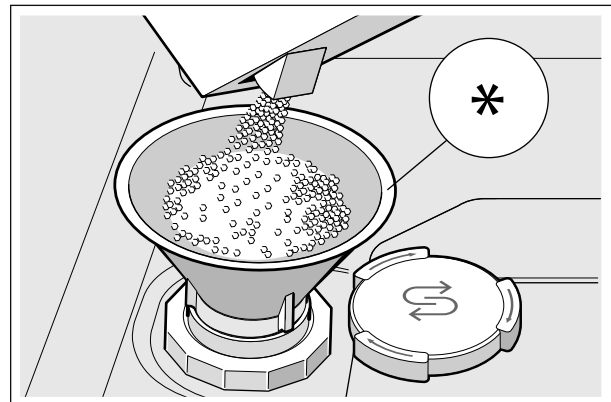
As soon as the low salt indicator [6] lights up on the digital display, salt should be topped off. Refilling the salt dispenser should be done **before** switching on the appliance. This ensures that extra salt water is washed out and will not corrode the rinsing tank.

**NOTICE:** Detergent will destroy the water softening system! Never pour detergent into the salt dispenser.

### Top off the salt as follows:

1. Undo the screw plug on the dispenser [28].
2. Fill the dispenser with water (required only when switching on the appliance for the first time).
3. Add salt as illustrated (**do not use table salt or tablets**).

The water is displaced and runs out.



For more information about buying dishwasher salt, please contact **Customer Service** 1-800-944-2904.

## Using detergents with salt component

If combined detergents with a salt component are used, special salt can usually be omitted up to a water hardness of 21° dH (37° fH, 26° Clarke, 3.7 mmol/l). If the water hardness is over 21° dH, salt must be used.

## Switching off low salt indicator / water softening system

If the use of combined detergents with a salt component impairs the low salt indicator 6 on the control panel or the text on the display window at the top 4 (enough salt for x rinse cycles), the displays can be switched off.

Proceed as described under “Setting water softening system” and set the value to **0-8**. The water softening system and salt refill indicator are now switched off.

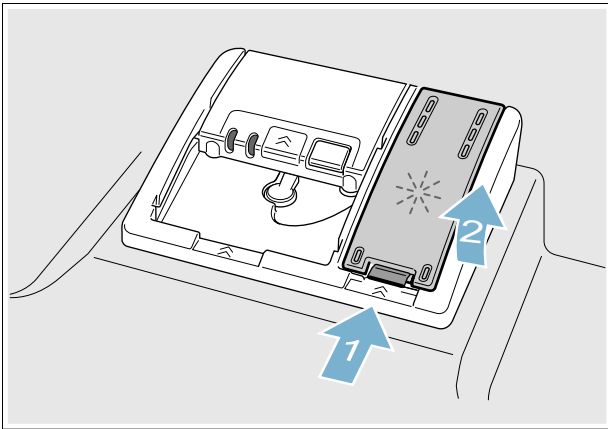
# Rinse Aid

As soon as the low rinse aid indicator **[5]** lights up on the control panel, rinse aid should be topped off. The rinse aid is required for stain-free utensils and clear glasses. Use only rinse aid which the manufacturer designates as safe to use in domestic dishwashers. Combined detergents with rinse aid component may be used with soft to moderately hard water only (0-2 bands on test strip or up to an °E value of 20). For moderately hard to hard water (3 to 4 bands on test strip or °E value of 21 or higher), rinse aid must be used.

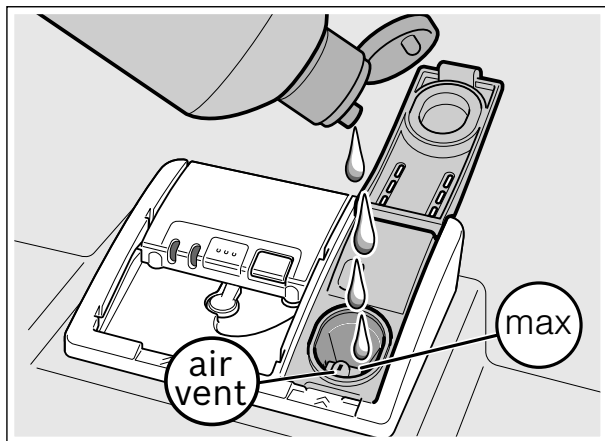
## Adding rinse aid

**NOTICE:** To avoid oversudsing or clogging, do not overfill the rinse aid dispenser **[32]**. Wipe up any spills with a damp cloth.

1. Open the rinse aid dispenser **[32]** by pressing on the latch of the lid and pulling it open.



2. Add liquid rinse aid to the dispenser **[32]** until it is full. Do not overfill. Avoid spilling into air vent hole.



3. Close the lid. Lid must be fully closed until it clicks in order to seal.
4. Wipe up any excess rinse aid that may have puddled when the dispenser reservoir is full. This prevents excessive frothing during the next wash cycle. The indicator light will go out a few moments after the dishwasher door is shut.

**Tip:** For easier pouring, remove lid from the rinse aid bottle.

**NOTICE:** Do not fill the rinse aid dispenser **[32]** with detergent. Doing so will damage the dishwasher.

## Setting the amount of rinse aid used

The amount of rinse aid to be dispensed can be set from **0** to **6**. Set the amount of rinse aid to be dispensed to **5** to obtain a very good drying result. Do not change the amount of rinse aid unless there are streaks or water stains on the utensils. Set a lower level to avoid streaks. Set a higher level to avoid water stains.

### Set the amount of rinse aid as follows:

1. Open the door.
2. Press on ON/OFF button **[1]**.
3. Press Info button **i [3]** for 3 seconds until the following text is indicated on the display window at the top **[4]**:  
**Scroll with < >**  
**Set with - +**  
**Leave with setup 3 sec.**
4. Keep pressing button **> [8]** until the rinse aid dispenser is indicated on the display window at the top **[4]**.
5. Make the selection with setting buttons **+ - [7]**.
6. Press and hold the Info button **i [3]** for 3 seconds. The chosen setting has now been stored.

**Note:** Do not change the amount of rinse aid unless there are streaks (select lower setting) or water stains (select higher setting) visible on the utensils.

## Switching off rinse aid refill indicator

If the use of combined detergents with a rinse aid component impairs the low rinse aid indicator **[5]** on the control panel (enough rinse aid for x rinse cycles), the displays can be switched off.

Proceed as described under "Setting amount of rinse aid" and select setting **0**.

**NOTICE:** Using no rinse aid or setting the dispenser to **0** may result in longer cycle times consuming more energy and water. The higher temperatures can damage fine china or glassware.

# Loading the Dishwasher

## Dishware material

**Note:** Before using your dishwasher for the first time, check the information in this section. Some items are not dishwasher-safe and should be hand washed; others require special loading.

Recommended	Precaution
Aluminum	Colored anodized aluminum may fade over time. Minerals in your water may cause the aluminum to darken or spot. This can usually be removed with a soap-filled steel wool pad.
China, Crystal, Stoneware	Some hand-painted utensils may discolor, fade or spot. Hand wash these utensils. Position fragile glassware so that it will not topple over or come in contact with other utensils during the wash cycle.
Glass	Make sure to use dishwasher-safe glass. Milk glass may discolor or become yellow.
Non-stick Coatings	Apply a light coating of vegetable oil to non-stick surfaces after drying.
Plastics	Make sure the plasticware is dishwasher-safe.
Stainless Steel, Sterling Silver and Silver Plates	Load these so they do not come in contact with other metals, stainless steel dishwasher tank walls or the inner door.

Not Recommended	Reason
Acrylic	Crazing or small cracks throughout the acrylic, may occur.
Adhesive-Joined Pieces	Adhesives that join materials such as plastic, wood, bone, steel, copper, tin, etc. may loosen.
Bone-Handled Utensils	Handles may separate.
Iron	Iron will rust. Hand wash and dry immediately.
Non-Dishware Items	Your dishwasher is intended for use in cleaning ONLY standard household dishware and kitchenware.
Pewter, Brass, Bronze	These items will tarnish. Hand wash and dry immediately.

## Loading the racks

For best dishwashing results, observe the following when loading the dishwasher:

- Do not pre-wash items with loosely attached food soil.
- Remove all food particles, bones, toothpicks and excessive grease.
- Pre-treat items having burned-on, baked-on or starchy soils.
- Load dishes in the dishwasher racks so the insides of bowls, pots and pans are facing the spray arms.
- Avoid nesting and contact points between dishes.
- Separate items of dissimilar metals. Use care to not block movement of the spray arms.
- Only wash household dishware and kitchenware rated as dishwasher-safe.

Refer to the Dishware Materials section for more information about dishware suitability.

**NOTICE:** To avoid dishwasher damage, do not load the dishwasher with paper products, plastic bags, packing materials or anything other than normal, dishwasher safe dishware and kitchenware.

## Loading the upper rack

Ensure items do not protrude through the bottom of the racks and block the spray arms.

**Note:** When pushing the upper rack [22] into the dishwasher, push it until it stops against the back of the tub so the upper rack spray arm [23] connects to the water supply at the back of the tub. Do not push racks in using the door.

## Loading the lower rack

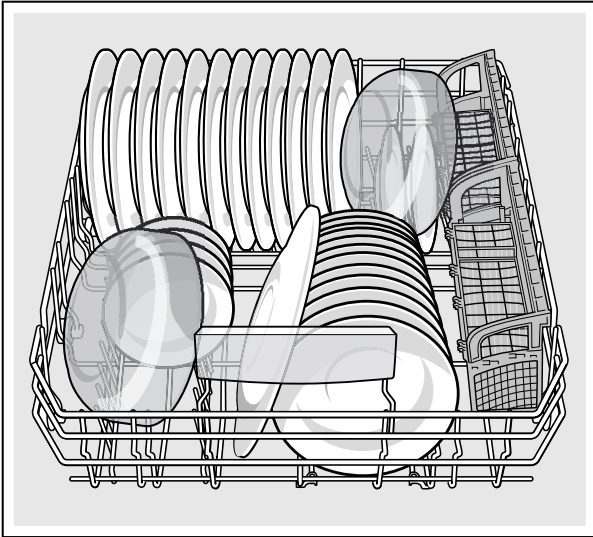
Place large items in the lower rack [31]. Load pots, pans and bowls upside down. Do not block the vent hole [25] with tall baking sheets. Load these items on the right side of the dishwasher.

## Loading patterns

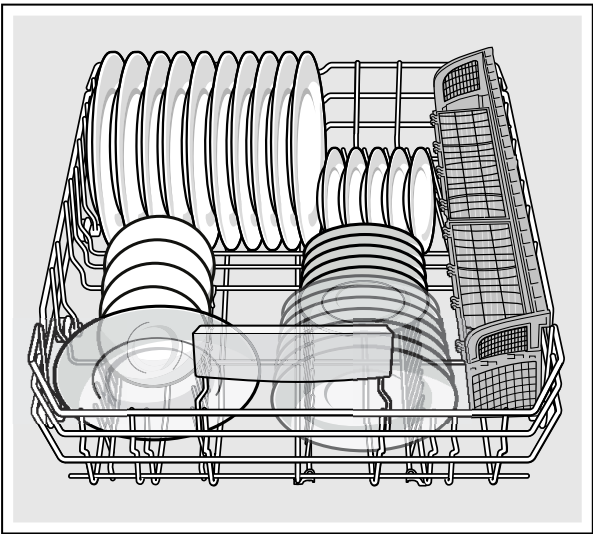
For daily, regular or typical use

### Loading patterns for lower rack

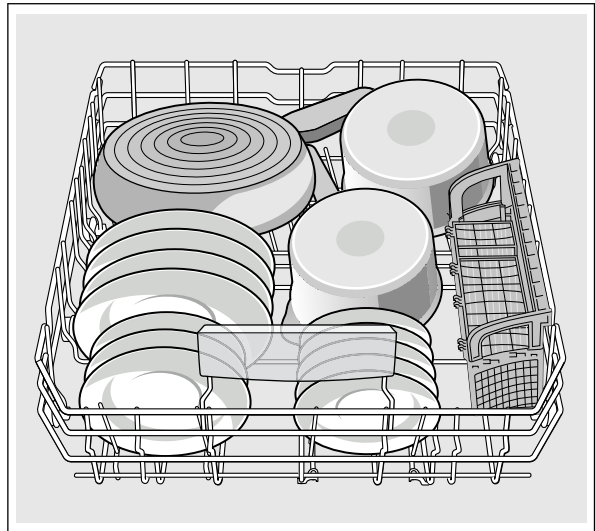
#### 12 place setting suggested loading pattern



#### Alternate loading pattern

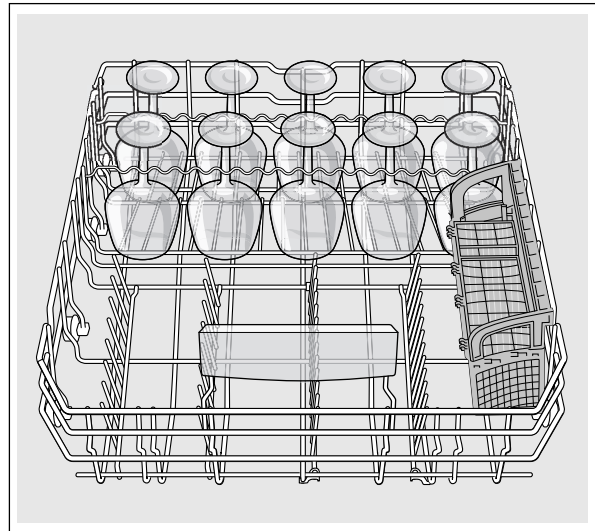


#### Alternate loading pattern with pots and pans



For best results, load large items face down in the lower rack.

#### Alternate loading with stemware \*



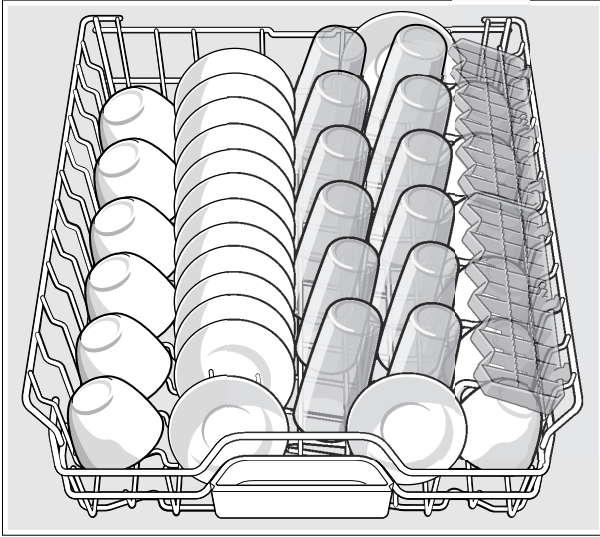
Fold down stemware supports in lower rack to load stemware as shown.

\* optional feature which may or may not be included with your dishwasher.



**Loading patterns for upper rack**

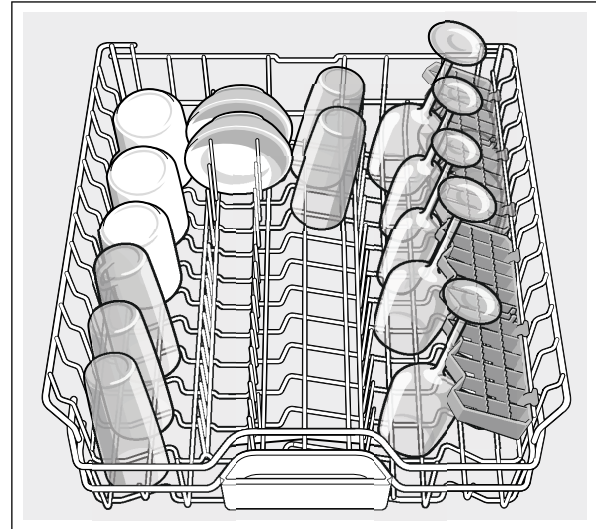
**12 place setting suggested loading pattern, with cutlery drawer**



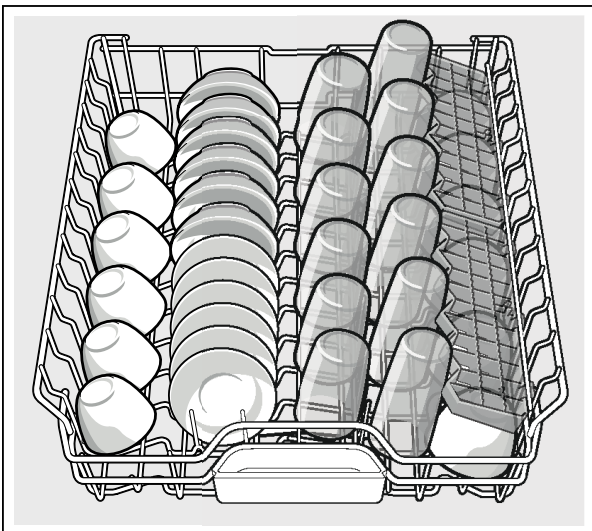
**Alternate loading pattern**



**Alternate loading pattern with stemware**



**12 place setting suggested loading with Entertainer's Drawer**

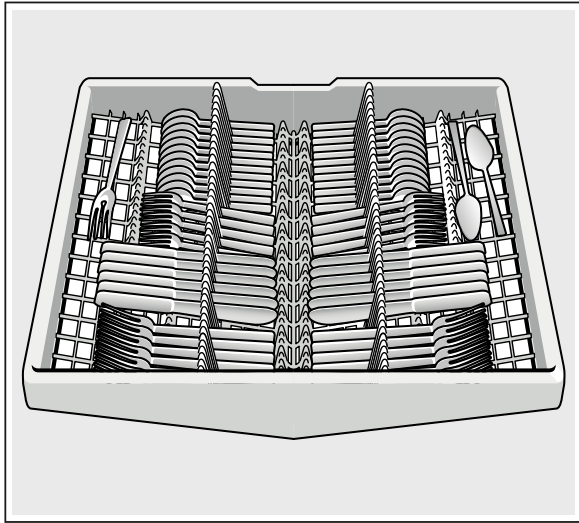


Use supports to load stemware glasses in the upper rack.

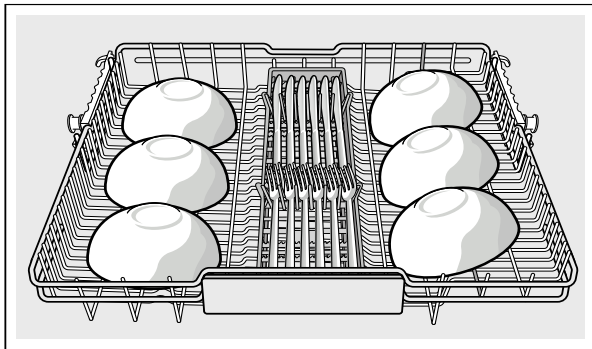
\* optional feature which may or may not be included with your dishwasher.

## Loading patterns for third rack

### 12 place setting suggested loading pattern \*



### Third rack 21



\* optional feature which may or may not be included with your dishwasher.

### Loading the silverware basket

Place knives and sharp utensils with their handles up and forks and spoons with their handles down. If large or oddly-shaped items are loaded in the silverware basket, be sure they do not nest together.

#### **▲ WARNING**

##### RISK OF INJURY

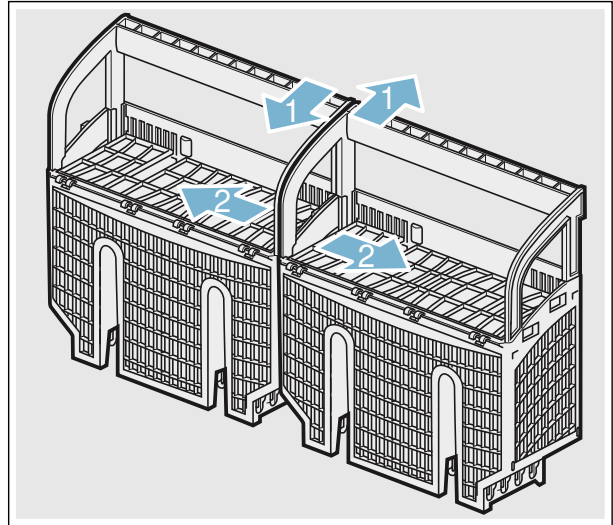
The sharp points and edges of knives and other sharp utensils can cause serious injury. Load knives and other sharp utensils with edges down. Do not allow children to handle or play near knives and sharp utensils.

## The Double Flex silverware basket

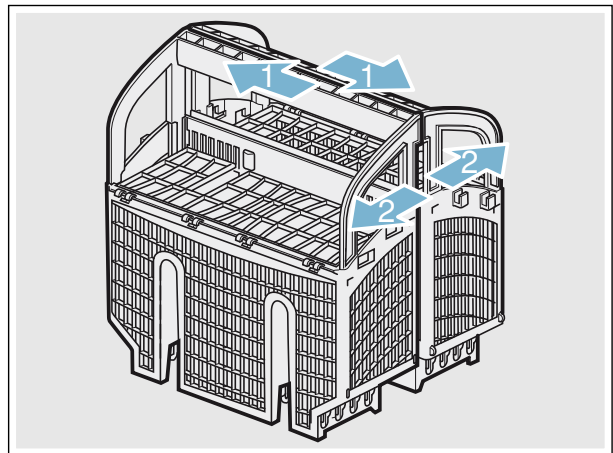
This basket splits along its length, resulting in two halves that may be placed in a variety of positions in the lower rack 31, greatly increasing the lower rack's loading versatility. The basket snaps together either side by side or back to back.

To split the Double Flex silverware basket: Grasp the basket and slide the two halves in opposite directions and then pull the two halves apart.

### Side by side



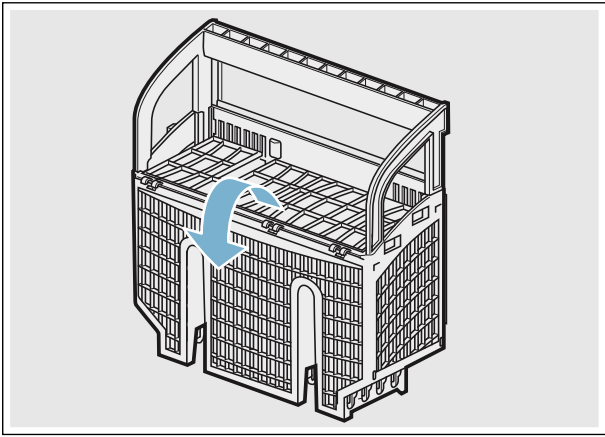
### Back to back



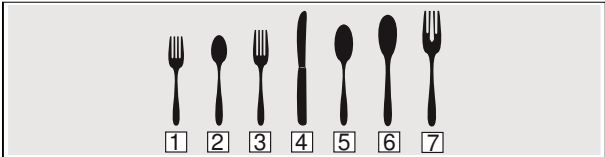
To assemble the Double Flex silverware basket: Hold the two halves side by side or back to back, so that the tab on one basket can slip into the notch on the other basket. Push the two halves in opposite directions until they click.

**Note:** The silverware basket lid may also be folded downward in order to leave the basket open.



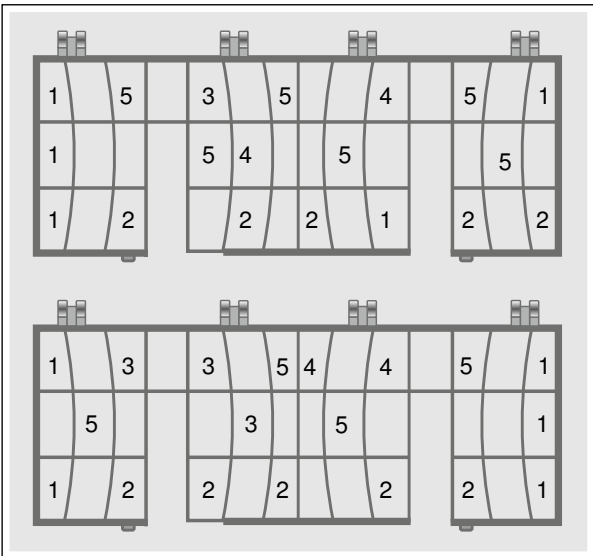


**Loading patterns silverware basket**

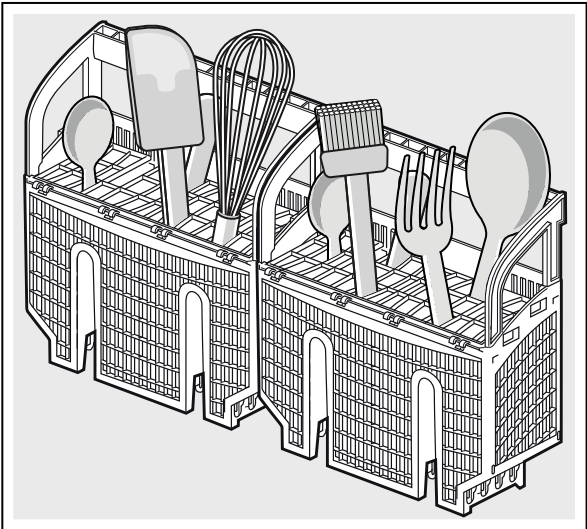


- 1 Salad fork
- 2 Teaspoon
- 3 Dinner fork
- 4 Knife
- 5 Tablespoon
- 6 Serving spoon
- 7 Serving fork

**Suggested loading pattern with Entertainer's Drawer - 12 place setting**



**Alternate loading pattern**



**Unloading the dishwasher**

**CAUTION**

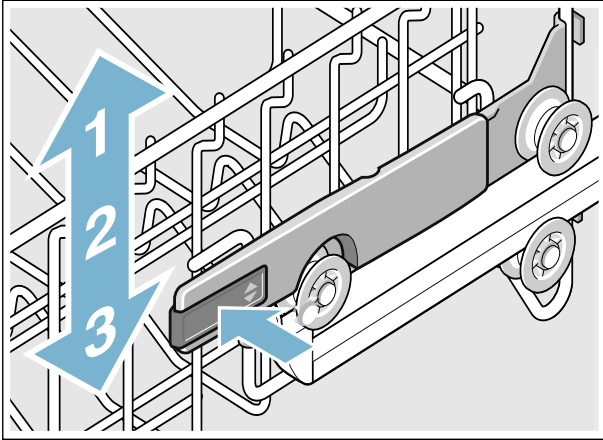
Dishes can be very hot immediately after cycle ends. Open the door slightly and allow dishes to cool for a few minutes before unloading.

**Note:** Dishes are more likely to chip when unloading before cooling. When unloading the dishwasher, to prevent water from dripping onto dry dishes, unload the lower rack [31] first. Next, unload the silverware basket [30] followed by the upper rack [22], and then the third rack (if equipped).

## RackMatic®

The height of the upper rack [22] can be adjusted in 3 steps to create more space for larger items in the lower rack.

1. Pull the upper rack out of the dishwasher until it stops.
2. To lower the rack, push the RackMatic® lever inward.
3. To raise the rack, hold the basket on the sides of the upper rack and lift it up.



**Note:** Check spray arm for clearance after adjustment.

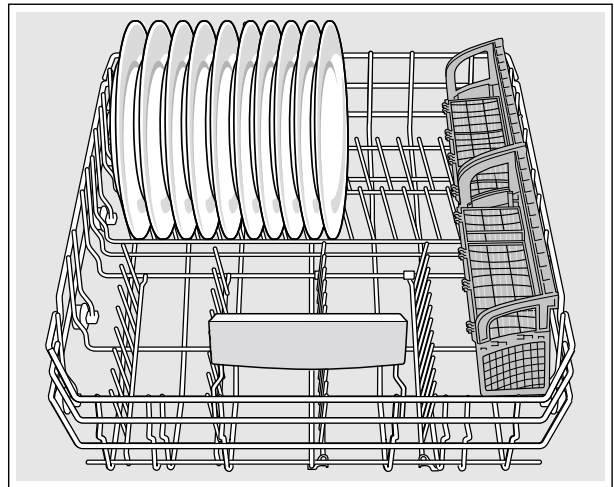
## Adjusting the height of the rack \*

If required, the height of the upper rack [22] can be adjusted to create more space for taller utensils either in the upper or lower rack.

With silverware basket	Upper rack	Lower rack
Setting 1 max. ø	9.4 in (24 cm)	13.4 in (34 cm)
Setting 2 max. ø	10.4 in (26.5 cm)	12 in (30.5 cm)
Setting 3 max. ø	11.4 in (29 cm)	11 in (28 cm)

With third rack	Upper rack	Lower rack
Setting 1 max. ø	7 in (18 cm)	13.4 in (34 cm)
Setting 2 max. ø	8 in (20.5 cm)	12 in (30.5 cm)
Setting 3 max. ø	9 in (23 cm)	11 in (28 cm)

Arrange large plates up to a diameter of 13.4 in (34 cm) in the lower basket [31] as illustrated.



\* optional feature which may or may not be included with your dishwasher.

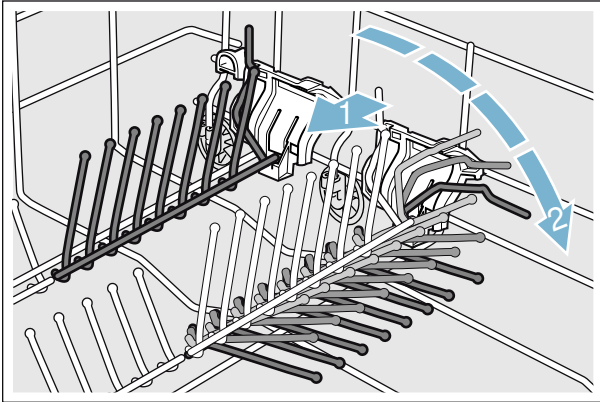
## Rack accessories

### Flip tines

Depending on the features of your dishwasher, the tines can be folded down. This facilitates arrangement of pots, bowls and glasses.

#### Fold down the flip tines as follows:

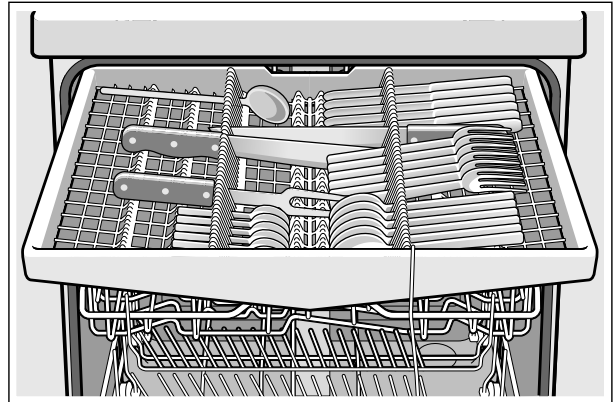
1. Pull flip tine gently forward and release it from the notch (1).
2. Push the flip tine downward to the desired position (2).



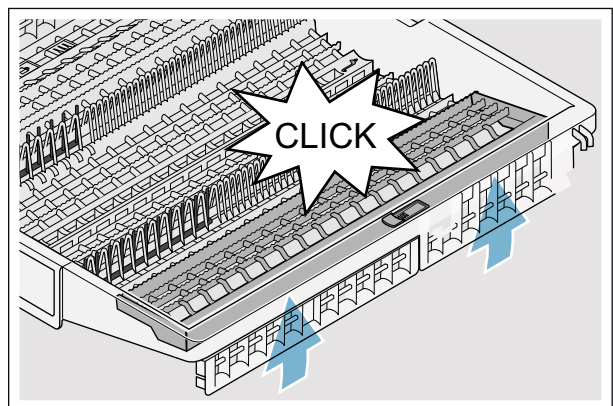
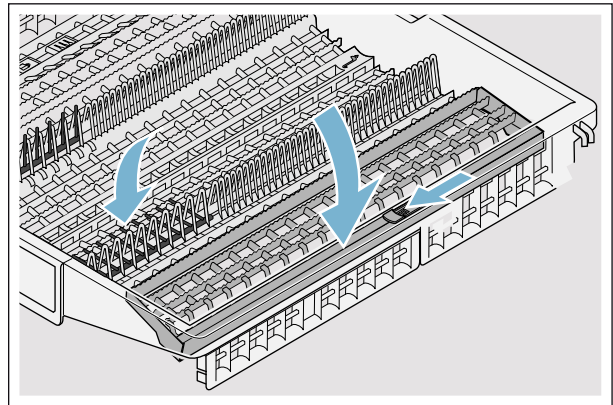
To fold up, push flip tines into an upright position until the holder engages in the notch.

### Third rack\*

The third rack horizontally positions knives, spatulas and other oversized tools for improved cleaning and easier loading and unloading. Arrange cutlery in third rack as illustrated.



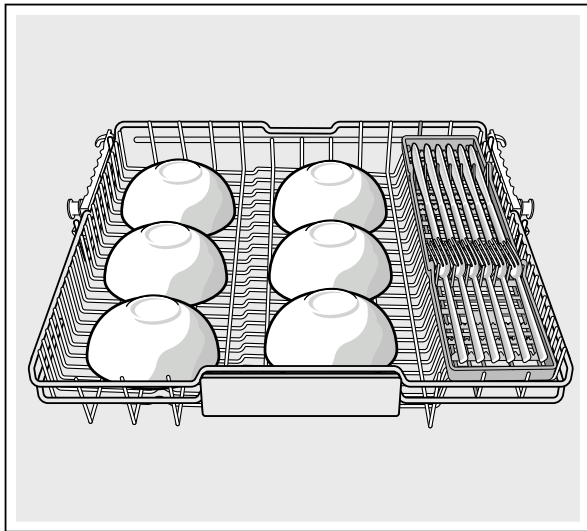
Depending on the features of your dishwasher, you can fold down the side shelves to provide more room for taller items of silverware. The front rows of prongs can be folded down to provide room for wider handles.



\* optional feature which may or may not be included with your dishwasher.

### Entertainer's Drawer \* [21]

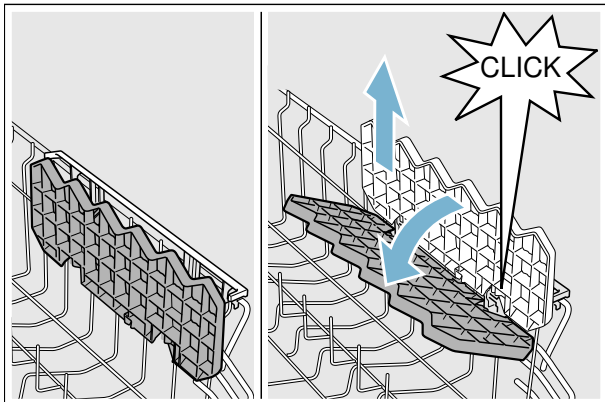
The third rack is ideal for small bowls, spatulas and other oversized tools for improved cleaning and easier loading and unloading. Arrange cutlery in cutlery insert.



\* optional feature which may or may not be included with your dishwasher.

### Cup shelves

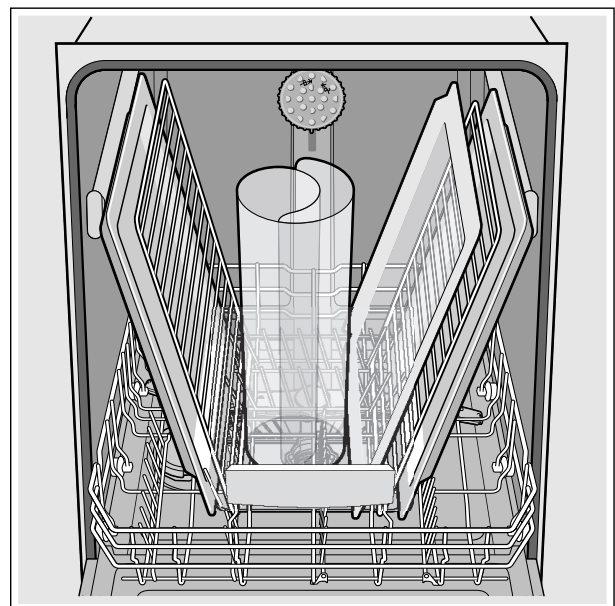
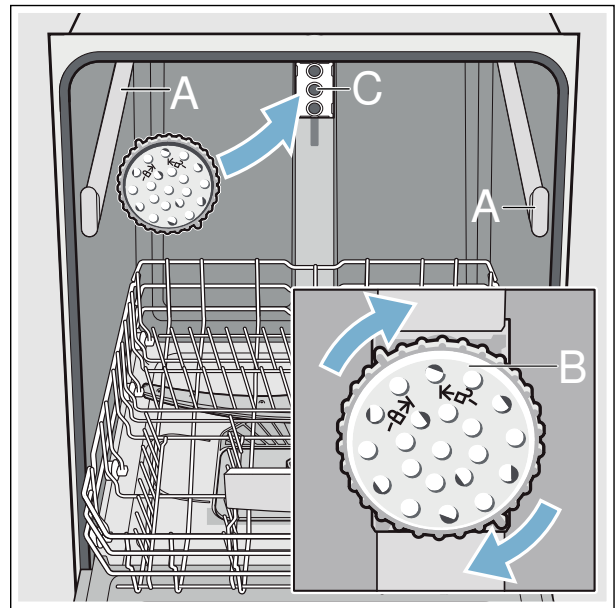
The cup shelves and the space underneath them can be used for small cups or for larger serving utensils.



### Extra tall item sprinkler

If an item is too tall to be placed in the lower rack [31] even with the upper rack [22] in the raised position, remove the empty upper rack [22] by pulling it out of the dishwasher until it stops. Pull the front of the rack upward and outward until the rack will not slide out anymore. Then lift it up and away from the dishwasher, until the rollers are completely free of the roller guides (A).

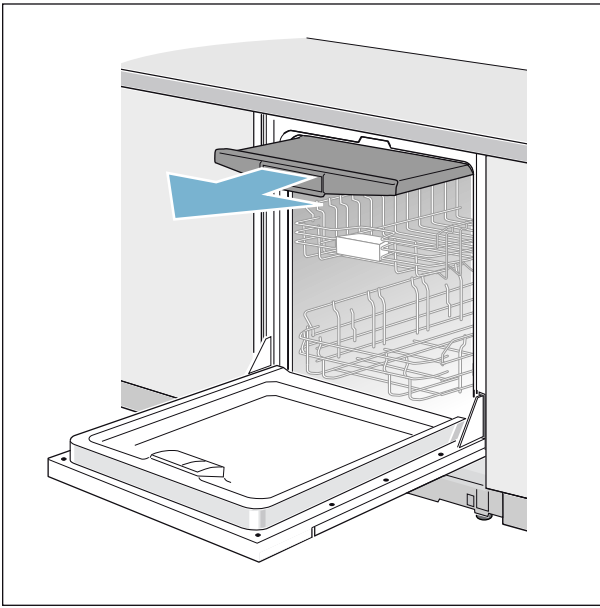
Set the upper rack [22] aside and push the roller guides (A) back into the dishwasher. Insert the extra tall item sprinkler (B) into the upper rack spray outlet (C) and turn the sprinkler clockwise to lock into position.



**Note:** Keep the vent hole [25] on the tub's left side clear by placing tall items such as plastic cutting boards and tall baking sheets on the lower rack's right side or center.

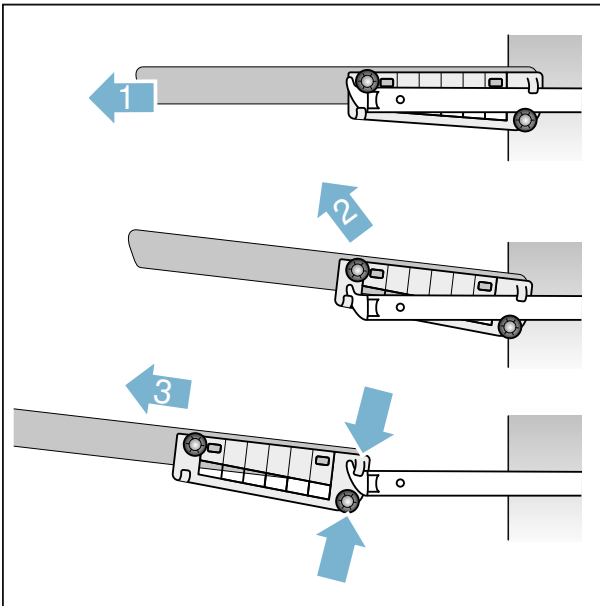
**NOTICE:** To avoid dishwasher damage, do not reinstall the upper rack [22] without removing the extra tall item sprinkler (B).

## Removing/Installing third rack



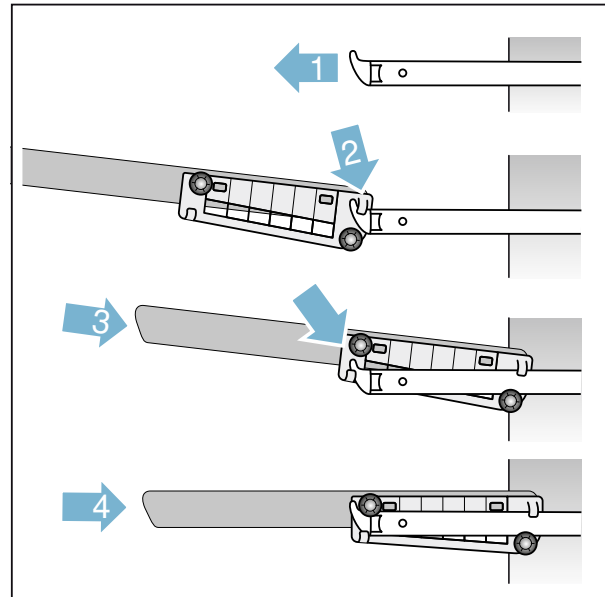
### Removing third rack 21

1. Pull out third rack all the way (1).
2. Lift upper rollers over the stopper hooks of both rails (2).
3. Pull third rack out forward and upward so that the holding hooks and the lower rollers of the rack slide over the stopper hooks of both rails (3).

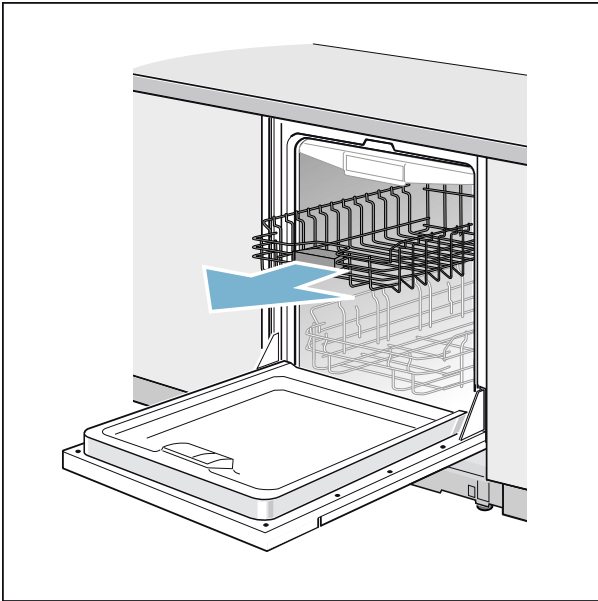


### Installing third rack 21

1. Pull out third rack rails all the way (1).
2. Insert third rack at an angle. Make sure that the stopper hooks of both rails slide in between the holding hooks and the lower rollers of the third rack (2).
3. Slide third rack in and lift the upper rollers over the front stopper hooks of both rails (3).
4. Push in third rack (4).

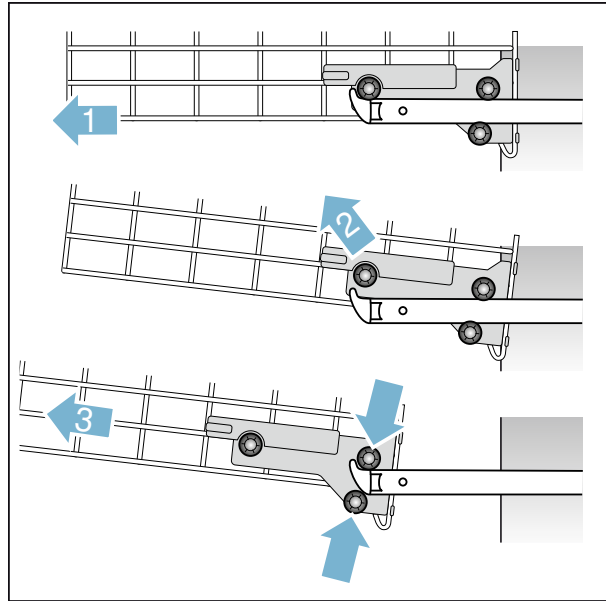


## Removing/Installing upper rack with Rackmatic®



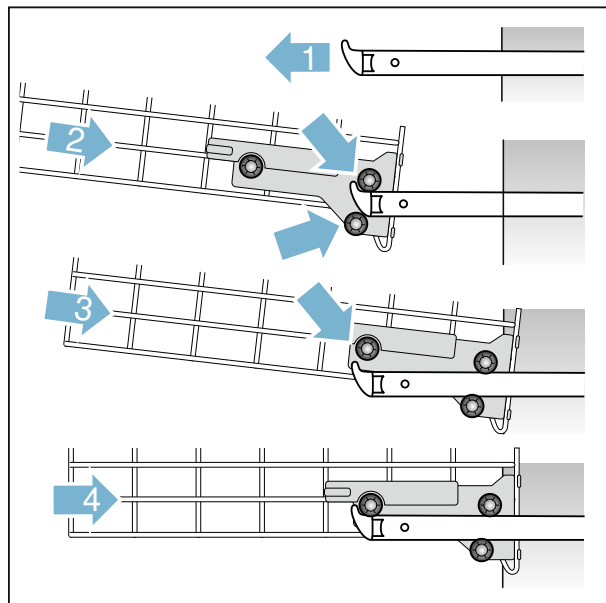
### Removing upper rack 22

1. Pull out upper rack all the way (1).
2. Lift front rollers over the stopper hook of the rail (2).
3. Pull out upper rack forwards and upwards so that the upper and lower rollers of the rack slide over the stopper hooks of both rails (3).



### Installing upper rack 22

1. Pull out upper rack rails all the way (1).
2. Insert upper rack at an angle. Make sure that the stopper hooks of both rails slide in between the upper and lower rollers on the rear side of the rack (2).
3. Slide upper rack in and lift the upper rollers over the front stopper hooks of both rails (3).
4. Push in upper rack (4).





# Detergent

Use only detergent specifically designed for dishwashers. For best results, use fresh powdered dishwashing detergent or detergent tabs.

**NOTICE:** To avoid damage to dishwasher or dishware:

- Do not use hand dishwashing products in your dishwasher.
- Do not use too much detergent if your water is soft. Using too much detergent with soft water may cause etching in glassware and fine china.
- To best protect glassware, use a wash cycle with low temperatures or a specific glass-care cycle (depending on the model) and use a detergent that includes etch protection.

This dishwasher uses less water than most, therefore, less detergent is required. With soft water, 1 tablespoon (15 ml) of detergent will clean most loads. The detergent dispenser cup has lines that measure detergent to 1 tablespoon (15 ml) and 1.75 tablespoons (25 ml). 3 tablespoons (45 ml) of detergent will completely fill the detergent dispenser.

**Note:** If you do not know the hardness of your water supply, use 15 ml of detergent. Increase the amount if necessary to the least amount required to get your kitchenware clean.

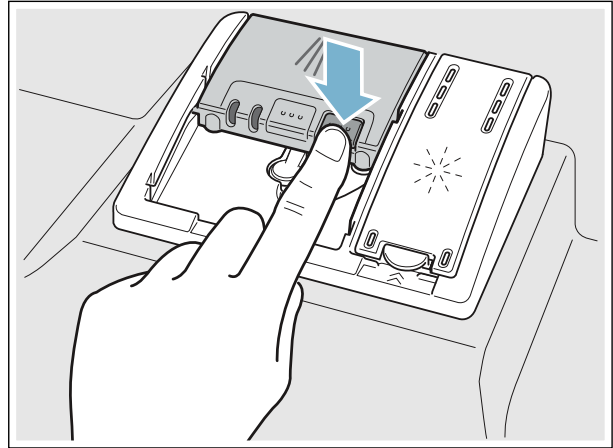
Use the measuring lines in the detergent dispenser cup as a guide to measure the amount of detergent recommended in the following table.

Wash Cycle	Hard Water/ Heavy Soil	Medium Water/ Medium Soil	Soft Water/ Little Soil
Pots & Pans	3 tbsp (45 ml)	3 tbsp (45 ml)	1.75-3 tbsp (25 - 45 ml)
Auto	3 tbsp (25 - 45 ml)	1.75-3 tbsp (25 - 45 ml)	1-1.75 tbsp (15 - 25 ml)
Normal	1.75-3 tbsp (25 - 45 ml)	1.75 tbsp (25 ml)	1-1.75 tbsp (15 - 25 ml)
Glass	1.5-2.75 tbsp (22 - 40 ml)	1.35-1.75 tbsp (20 - 25 ml)	1-1.5 tbsp (15 - 22 ml)
1 Hour	1.75-3 tbsp (25 - 45 ml)	1.75 tbsp (25 ml)	1-1.75 tbsp (15 - 25 ml)
Quick	1.75 tbsp (25 ml)	1-1.75 tbsp (15 - 25 ml)	1 tbsp (15 ml)
Rinse	none	none	none

## Adding detergent

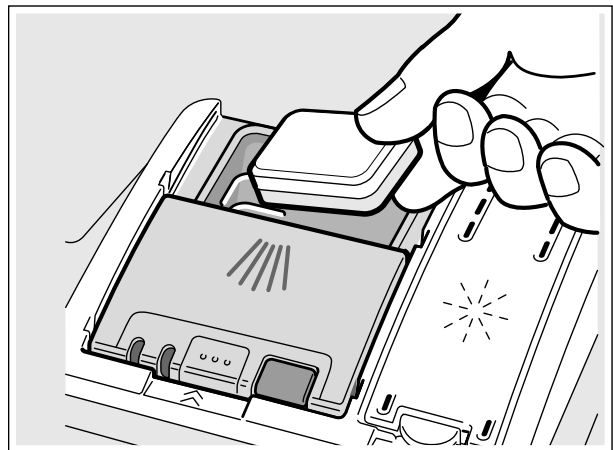
1. If the detergent dispenser [33] is still closed, push the button [34] to open it.

**Note:** Make sure the detergent dispenser is dry and clear of detergent residue.

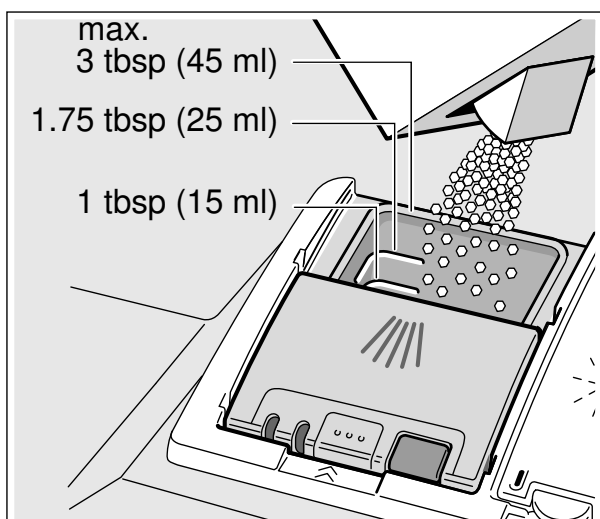


2. When using detergent tabs, lay them such that they do not come in contact with the cover, insert a detergent tab flat, not on its side.

**Note:** Do not place detergent tabs or utensils in the detergent tab tray [24]. Place tabs or other detergent forms directly in the detergent dispenser [33].

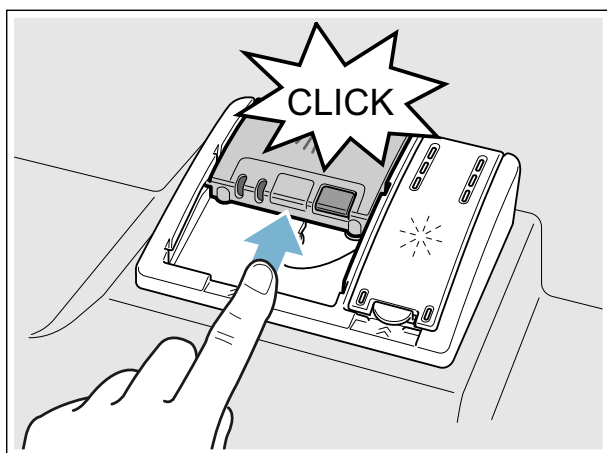


Pour detergent into the detergent dispenser [33] only.  
Do not overfill the detergent dispenser.



Dosage: see manufacturer's instructions on the packaging.

3. Close the lid by placing the finger on the lid as shown. Slide the lid closed and press down firmly until it clicks.



The detergent dispenser will open automatically at the ideal time for the set cycle. The powder or liquid detergent is distributed in the appliance and is dissolved, detergent tabs will fall into the detergent tab tray [24] where it dissolves during the cycle.

**Tip:** If the dishware is only lightly soiled, slightly less than the indicated amount of detergent is usually adequate.



# Dishwasher Cycles

**Note:** In order to save energy, it is recommended to set the **Auto Power Off** feature to “after one minute.”

Wash cycle	Recommended use	Possible wash cycle option
<b>Pots &amp; Pans *</b>	Best for cleaning items with baked-on food or grease. These dishes would normally require soaking.	all
<b>Auto *</b>	Smartest cycle, with most flexible soil sensing, which is ideal for mixed dishware and food soils.	all
<b>Normal *</b> (see note at bottom of table)	Recommended for daily, regular or typical use to completely wash a full load of normally soiled dishes.	all <b>Note :</b> In order to obtain optimal performance with minimum energy consumption, it is recommended to disable all available options and settings, except <b>Auto Power Off</b> set to “after one minute.”
<b>Glass</b>	Best for stemware, glasses and other delicate dishes, this cycle cleans at a lower temperature to protect dishes. For best results, use less detergent and use only powder or liquid detergent.	all except Sanitize
<b>1 Hour</b>	Cleans lightly soiled dishes and reduces overall wash time to 1 hour.	<b>Delay</b>
<b>Quick</b>	Cleans lightly soiled dishes and reduces overall wash time to 30-35 minutes.	<b>Delay</b>
<b>Rinse</b>	Use this cycle if you need to rinse dishes to avoid odors. Place unrinsed dishes inside the dishwasher and select the <b>Rinse</b> cycle. Uses less water than hand rinsing and very low energy.	<b>Delay</b>

\*The cycle is sanitized when Sanitize option is used.

**Note:** The Energy Guide label was based on the **Normal** soil sensing cycle as follows: The unit was tested without any rinse aid (liquid) in the rinse aid dispenser [32]. A single dose of detergent was inserted into the detergent dispenser [33], with no detergent being used in the prewash. The unit was not subjected to truncated testing per the definitions in the test procedure. We recommend that dish loads such as the one in the energy certification test have the rack position set in the highest position.

---

# Dishwasher Cycle Options

## PowerBoost®

Perfect for a mixed load. You can wash very soiled pots and pans in the lower rack together with normally soiled utensils in the upper rack. The spray pressure in the lower rack is intensified, the rinsing temperature is increased slightly.

## Save Time

Save Time is an option that allows saving time without sacrificing wash and dry performance. Selecting this option ensures the same final temperatures as the underlying cycle, while heating up the dishes more quickly. Selecting this option also increases energy consumption while reducing cycle time.

## Half Load

Can reduce water consumption when washing small, lightly soiled loads that fill approximately half or less of the dishwasher's capacity.

## Sanitize

Increases the temperatures and retains them for an extra long time to obtain a defined disinfecting performance. Continuous use of this function increases the hygiene status. This additional option is ideal for cleaning items such as chopping boards and baby bottles.

"Sanitized" will appear in the display window when sanitation requirements are met. Using the Sanitize option may also improve drying. There is a slight increase in energy consumption.

## StarDry™

Star Dry with Zeolite is an exclusive Thermador drying solution, providing the ultimate results for your dishware needs.

## Wash Cycle Information

To save energy, this dishwasher has EcoSense where the sensors in the dishwasher automatically adjust the cycle length, temperature and water changes based on the amount of food soil and the incoming water temperature. The “Smart Control” makes decisions that

can cause the cycle time and water usage to adjust intermittently. **Wash cycle times are based on 120°F (49° C) water supply.** If your household water supply is different than 120°F (49° C), your dishwasher’s cycle times may be impacted.

	<b>Pots &amp; Pans</b>	<b>AUTO</b>	<b>Glass</b>	<b>Normal</b>	<b>1-Hour</b>	<b>Quick</b>	<b>Rinse</b>
Cycle time in min.	110-135	105-129	75-85	130-135	60	30	9
Water cons. in L (gal)	18.6-24.2 (4.9-6.4)	12.9-24.1 (3.4-6.4)	9-14.6 (2.4-3.9)	8.8-21 (2.3-5.5)	14.3 (3.8)	10.5 (2.8)	4.1 (1.1)
Wash temp. in °F (°C)	151-160 (66-71)	127-140 (53-60)	113-122 (45-50)	113-136 (45-58)	122 (50)	113 (45)	incoming
Rinse temp. in °F (°C)	151 (66)	136 (58)	122 (50)	136 (58)	158 (70)	124 (51)	incoming
<b>PowerBoost®</b>							
Cycle time in min.	125-150	120-145	90-100	145-150	N/A	N/A	N/A
Water cons. in L (gal)	16.6-24.2 (4.9-6.4)	13.3-24.1 (3.5-6.4)	9-14.6(2.4-3.9)	8.8-21 (2.2-5.4)	N/A	N/A	N/A
Rinse temp. in °F (°C)	151(66)	136(58)	122 (50)	136 (48)	N/A	N/A	N/A
<b>Save Time</b>							
Cycle time in min.	100-120	90-105	70-80	95-105	N/A	N/A	N/A
Water cons. in L (gal)	16.3-20.5 (4.3-5.4)	16.1-20 (4.3-5.3)	9.2-12.5 (2.4-3.3)	16.6-21.1 (4.4-5.6)	N/A	N/A	N/A
Rinse temp. in °F (°C)	162 (72)	153-162 (67-72)	145(63)	162 (72)	N/A	N/A	N/A
<b>Half Load</b>							
Cycle time in min.	114	95-105	70-80	100-105	N/A	N/A	N/A
Water cons. in L (gal)	17.9 (4.7)	10.2-16.5 (2.7-4.4)	9-12.6(2.4-3.3)	10.8-13.9 (2.9-3.7)	N/A	N/A	N/A
Rinse temp. in °F (°C)	151 (66)	136(58)	122 (50)	136 (58)	N/A	N/A	N/A
<b>Sanitize</b>							
Cycle time in min.	125-150	125-150	N/A	150-155	N/A	N/A	N/A
Water cons. in L (gal)	18.6-24.2 (4.3-5.7)	12.9-24.1 (3.4-6.4)	N/A	8.8-21 (2.3-5.5)	N/A	N/A	N/A
Rinse temp. in °F (°C)	162 (72)	162 (72)	N/A	162 (72)	N/A	N/A	N/A
<b>Star Dry™</b>							
Cycle time in min.	140-165	135-159	105-115	160-165	N/A	N/A	N/A
Water cons. in L (gal)	18.6-24.2 (4.9-6.4)	12.9-24.1 (3.4-6.4)	9-14.6 (2.4-3.9)	8.8-21 (2.3-5.5)	N/A	N/A	N/A
Rinse temp. in °F (°C)	153 (67)	153 (67)	135 (57)	153 (67)	N/A	N/A	N/A

**Note:** Only sanitizing cycles have been designed to meet the requirements of Section 6 of the NSF/ANSI 184 Standard for Residential Dishwashers for soil removal

and sanitization efficacy. There is no intention, either directly or indirectly, to imply that all cycles have passed sanitization performance tests.

# Operating the Dishwasher

**Note:** With hidden controls, the door must be opened before changing settings and closed after changing settings.

---

## ▲ WARNING

### RISK OF INJURY

To avoid risk of injury, always use caution when opening the door during or following a wash cycle as hot water or steam may escape. Do not fully open the door until water noises have stopped and steam has subsided.

To reduce risk of injury, do not allow children to play in or on the dishwasher.

When children become old enough to operate the appliance, it is the responsibility of the parents/legal guardians to ensure the children are instructed in safe practices by qualified persons.

---

## Protection against unintentional operation

Your dishwasher is equipped with a function that helps to prevent unintentional operation (e.g. by children).

After starting the dishwasher, the dishwasher door has to be closed within 4 seconds, otherwise the operation will be paused. There will be a signal on the control panel advising you to press the Start button again and close the door.

This function will be activated when:

- pressing Start to begin a wash cycle
- setting Delay time and pressing Start
- opening the door while Delay time is active
- opening the door during a wash cycle.

**Note:** This function cannot be deactivated.

## Operating the touch buttons

Buttons are sensitive and should be touched gently. Avoid any grease or food particles resting on the buttons as they could activate the dishwasher.

Wiping and cleaning can also activate the dishwasher. For best results, use bare, clean hands when touching the buttons.

To clean the touch buttons wipe them with a dry or slightly damp cloth.

## Changing the settings

The dishwasher has been preset with certain settings for your convenience. You can change these factory settings.

### Change the setting as follows:

1. Open the door.
2. Switch on On/Off button **[1]**.
3. Press Info button **[3]** for 3 seconds until the following text is indicated in the digital display **[4]**:  
**Scroll with < >**  
**Set with - +**  
**Leave with Setup 3 sec.**
4. Keep pressing button **> [8]** until the required setting is indicated in the display window at the top **[4]**.
5. Make the selection with setting buttons **+ - [7]**.
6. Press and hold the Info button **[3]** for 3 seconds. The chosen setting has now been stored.

**Tip:** If you change several settings, first make all changes in succession. Now press the Info button **[3]** for 3 seconds. This saves all set values in the appliance.

## AquaSensor

The AquaSensor is an optical measuring device which measures the cleanliness of the rinse water.

The AquaSensor is used according to the wash cycle. If the AquaSensor is active, "clean" rinse water can be transferred to the next rinse and water consumption can be reduced by 0.8–1.5 gal (3–6 liters). If the rinse water is not yet clear, the water is drained and is replaced with fresh water. In the automatic wash cycles the temperature and running time can also be adjusted to the degree of soiling.

## Time display

The wash cycle time is determined during the wash cycle by the water temperature, the amount of dishes, as well as the degree of soiling and may vary (depending on the selected wash cycle). You can change the time display into time of day or hours/minutes so that the remaining cycle time of the wash cycle appears in the display window "Finish at" (for example 15:20 o'clock) or "Finish in" (for example 3:25 hours).

## Sensor setting

The wash cycle sequence is optimized in Auto wash cycles with the aid of sensors. The sensors adjust the wash cycle strength of Auto wash cycles depending on the amount and type of soiling. You can adjust the sensitivity of the sensors in 3 stages.

**Standard:** This setting is recommended for daily regular or typical use. This is the most energy efficient setting.

**Sensitive:** This setting adjusts the wash cycle strength for the effective removal of food remnants, even if the amount of soiling is low. The energy and water consumption is increased accordingly.

**Very sensitive:** This setting adjusts the wash cycle strength for difficult conditions of use, for example firmly dried on food remnants. This setting is recommended if using biological or eco detergents which contain lower amounts of active agents. The energy and water consumption is increased accordingly.

## Extra Dry

The final rinse uses a higher temperature which improves the drying result. The cycle time may increase slightly. (Caution if utensils are delicate!) You can switch the Extra Dry function on or off. There is a slight increase in energy consumption.

## Eco forecast

When Eco forecast is activated, the average water and energy consumption of the selected wash cycle is briefly displayed in the digital display .

## Auto power off

This setting determines the length of time the control panel stays illuminated after the cycle is complete.

To save energy, the recommended setting is "after one minute".

### Possible settings are:

- **off:** The appliance does not switch off automatically.
- **After one minute:** The appliance switches off after 1 minute. This is the most energy efficient setting.
- **After two hours:** The appliance switches off after 2 hours.

## Tone volume

The end of the wash cycle is indicated by a buzzer. You can also change this setting.

## Button volume

When you are operating the dishwasher, a signal sounds whenever a button is pressed. You can control the volume of the signal. If you do not like the button volume, you can switch it off.

## Greeting

When you switch on the dishwasher, the brand logo appears. You can switch off the brand logo.

## Factory setting

You can reset all settings to the factory setting.

## Switching the appliance on

1. Turn the water supply on fully.
2. Open the door.
3. Switch on **On/Off** switch .

The **Auto** wash cycle has been preset as a default whenever the appliance starts. This wash cycle remains selected if no other wash cycle button  is pressed.

4. Press **Start** button .
  5. Close the door.
- Wash cycle sequence starts.

**Note:** Your dishwasher is protected against unintentional operation. If the appliance door remains open for more than 4 seconds after pressing the Start button, the operation will be paused. Press the Start button again and close the appliance door.

## Delay start time

You can delay the start of the wash cycle by up to 24 hours. Depending on the setting of the time display, the end of cycle is indicated with "Finish in" (for example 3h 25m) or "Finish at" (for example 15:20 hours).

1. Open the door.
2. Switch on **On/Off** switch .
3. Select wash cycle .
4. Press **Delay** start button .
5. Keep pressing the setting buttons **+** -  until the displayed time corresponds with your requirements.
6. Press **Start** button , timer programming is activated.
7. To delete the Delay start time, press **Start** button  for about 3 seconds.
8. Close the door.

**Note:** Your dishwasher is protected against unintentional operation. If the appliance door remains open for more than 4 seconds after pressing the Start button, the operation will be paused. Press the Start button again and close the appliance door.

## Sapphire Glow (emotionLight™) \*

The Sapphire Glow (emotionLight™)  is on when the door is open irrespective of whether the **On/Off** switch  is switched on or off. When the door is closed, the emotionLight™ is off. You can switch the EmotionLight on or off.

**Note:** Note that when the door is open the emotionLight™ is automatically switched off after 1 hour.

## Star Glow (emotionLight Pro™) \*

emotionLight™ [20] is the interior lighting for your dishwasher. You can switch the interior lighting on or off. Once you have switched on emotionLight™, you can select other settings.

### Possible settings are:

- **emotionLight™** is on when the door is open and off when the door is closed.
- **emotionLight™ 1 (brightness setting for interior lighting):**  
In the setting emotionLight™ 1 you can adjust the brightness of the interior lighting in 4 levels.
- **emotionLight™ 2 (color setting of interior lighting):**  
In the setting emotionLight™ 2 you can select a color for the interior lighting. With the Home Connect™ app, you can create a custom color.
- **emotionLight™ 3 (visual signaling of faults):**  
In the setting emotionLight™ 3 you can switch the visual indication of a fault on or off. If you have switched on emotionLight™ 3 and a fault occurs on your dishwasher, the interior lighting will flash.

### Notes

- Note that the interior lighting is automatically switched off after 1 hour when it is switched on and the door is open.
- When the interior lighting is switched off, the settings for emotionLight™ 1 to emotionLight™ 3 cannot be selected.

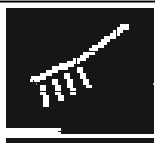
## Time Remaining Power Beam® (Optical display while the wash cycle is running)

While wash cycle is running, an optical display (time remaining alternating with cycle indicator images) is projected onto the floor under the appliance door. You can set the Time Remaining Power Beam® on or off.

### All time remaining displays



Pre-wash



Cleaning



Rinsing



Drying

## Wash cycle end

The wash cycle has ended when “Finished” is indicated on the digital display [4] and [13].

## Switching off the appliance

### Short time after the end of the wash cycle:

1. Press **On/Off** button [1].
2. Remove the dishes when they have cooled down.

---

### ▲ WARNING

#### RISK OF INJURY

To avoid risk of injury, always use caution when opening the door during or following a wash cycle as hot water or steam may escape. Do not fully open the door until water noises have stopped and steam has subsided.

To reduce risk of injury, do not allow children to play in or on the dishwasher.

When children become old enough to operate the appliance, it is the responsibility of the parents/legal guardians to ensure the children are instructed in safe practices by qualified persons.

---

## Interrupting the wash cycle

---

### ▲ CAUTION

---

Expansion (overpressure) may cause the appliance door to open and/or water to escape! If the door was opened on an appliance which has a hot water connection or is heated, always leave the door ajar for several minutes and then close.

---

1. Open the door.
2. Switch off On/Off switch 1.
- The LED's go out. The wash cycle is saved.
3. To continue the wash cycle, switch on the On/Off switch 1 again.
4. Close the door.

**Note:** Your dishwasher is protected against unintentional operation. If the appliance door remains open for more than 4 seconds after pressing the Start button, the operation will be paused. Press the Start button again and close the appliance door.

### Cancel a cycle (reset)

1. Open the door and press and hold the **Start** button 1 for approximately 3 seconds until the digital display 4 shows: "Program was terminated".
2. Close the door.
3. Wait about 1 minute while the dishwasher drains.
4. Open the door and press the **On/Off** switch 1.

### Changing the wash cycle

When the **Start** button 1 has been pressed, the wash cycle cannot be changed. The only way a wash cycle can be changed is by terminating the wash cycle (Reset).

# Care and Maintenance

A regular inspection and maintenance of your machine will help to prevent faults. This saves time and prevents future problems.

## Cleaning the dishwasher

- Regularly wipe the front of the appliance with a damp cloth - water and a small amount of liquid soap is adequate.
- For stainless steel appliances (excluding black stainless), use a stainless steel polish to seal and protect the surface.
- Clean the outer edges of the inside door panel regularly to remove debris that may collect from normal loading. If spots begin to appear on the stainless steel, make sure the rinse agent is full and functioning properly.
- Clean the door seal regularly with a damp cloth to remove food particles that may collect from normal loading and cause odor. A soiled door seal may not seal properly.

### NOTICES

- Never use a steam cleaner to clean your dishwasher. The manufacturer is not liable for any resulting damage.
- Do not use sponges as they could scratch the surfaces.
- Do not use bleach-based cleaners or wipes as they could damage the surface or printing.
- Do not use stainless steel polish on a black stainless finish.

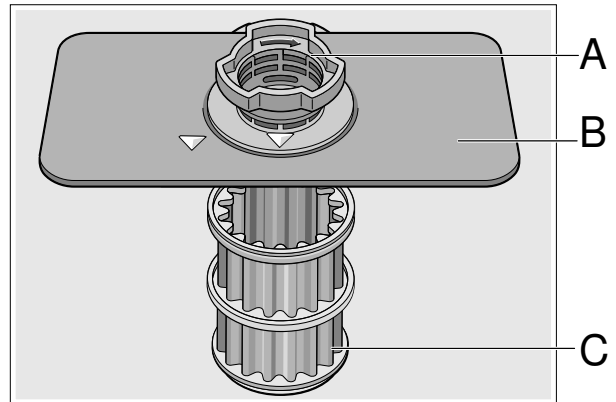
### ⚠ WARNING

Use caution when removing parts for cleaning as some debris may be sharp.

## Filters

### Filter components

The filter system **[29]** consists of three parts.



#### A Large Object Trap

Prevents objects that should not be placed in your dishwasher from damaging the dishwasher pump system or clogging your household drain.

#### B Flat Fine Filter

Prevents food particles from entering the wash chamber and directs particles toward the micro filter.

#### C Micro Filter

Directs the smallest of particles to the household plumbing drain.

### Cleaning intervals

The filter system **[29]** is designed to minimize maintenance while providing premium cleaning performance and minimum energy consumption.

Depending on use habits and water hardness, the filter system will require some maintenance to sustain premium cleaning performance.

Your filter system may need to be cleaned when:

- You notice food soils remaining on the filter system or objects trapped in the Large Object Trap.
- A drop in cleaning performance or a gritty film forms on the dishware.

When washing normally attached food soils that have been scraped before loading, in a household that runs the dishwasher every other day, your filter should be cleaned:

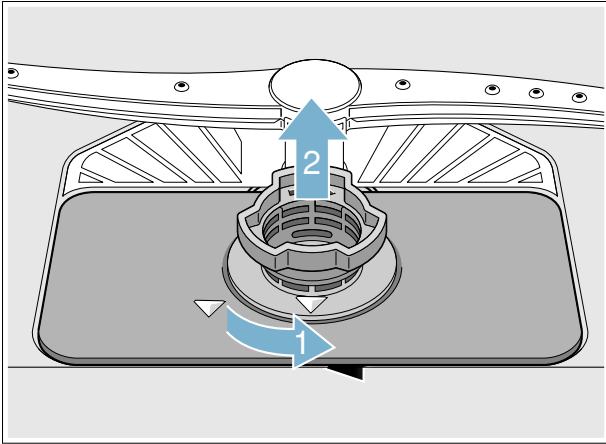
Cleaning interval	Usage
3- 6 times a year	light to average use
8-12 times a year	heavy use



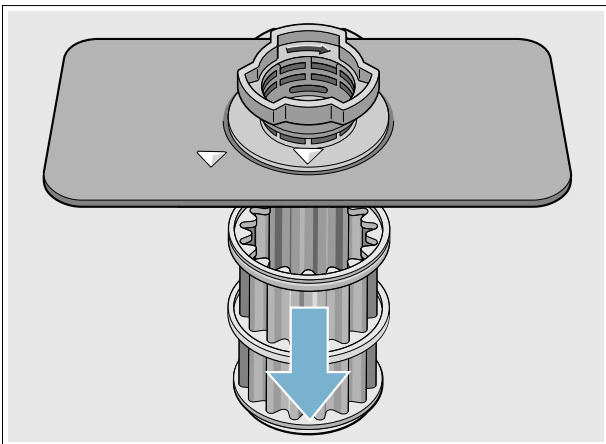
**Note:** Clean the filter after washing loads with large amounts of food soils or loads with a heavy starch content to maintain optimal performance.

**To check or clean the filter system:**

1. After each wash cycle check the filters for residue.
2. Unscrew the Large Object Trap as illustrated and remove the entire filter system.



3. Remove the microfilter from the fine filter for easier cleaning.



4. Rinse the filters under running water and use a soft brush to clean.

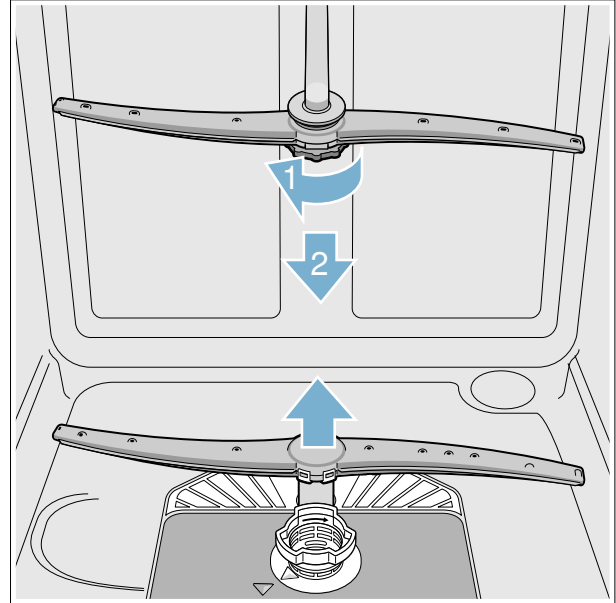
**Note:** do not use abrasive brushes or steel wool, etc., as they may damage the filter.

5. Reinstall the filter system in reverse sequence and lock into place by screwing the Large Object Trap until the marking arrows align.

## Spray arms

Limescale and contaminants in the rinsing water may block nozzles and bearings on the spray arms [23] and [27].

1. Check outlet nozzles on the spray arms for blockages.
2. Unscrew the upper spray arm [23] (1) and remove downwards (2).
3. Remove the lower spray arm [27] upwards.



4. Clean spray arms under running water.
5. Re-engage or screw on spray arms.

## Drain pump

Large food remnants in the rinsing water not retained by the filters may block the waste water pump. In this case:

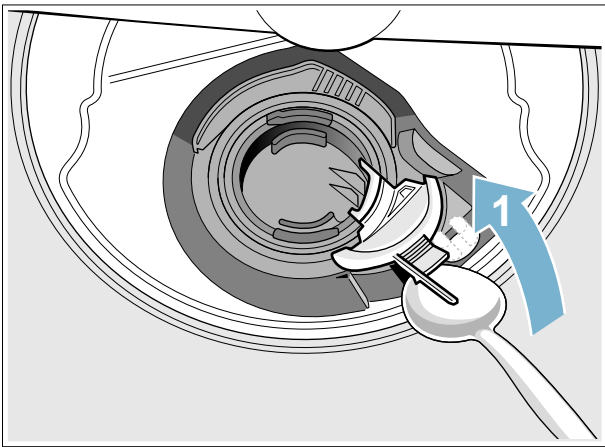
---

### **▲ WARNING**

Use caution when removing parts for cleaning as some debris may be sharp.

---

1. Disconnect the appliance from the power supply.
2. Take out upper rack [22] and lower rack [31].
3. Remove the filters [29].
4. Scoop out standing water - use a sponge if necessary.
5. Using a spoon, pry off the pump cover (as shown) until it clicks, then grip the cover and pull upward until it resists and then pull forward (1). Remove cover completely.



6. Check inner compartment and remove any foreign objects.

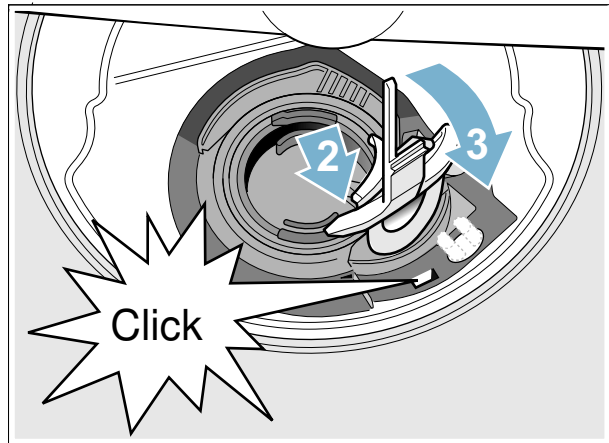
---

### **▲ WARNING**

Use caution when removing parts for cleaning as some debris may be sharp.

---

7. Place pump cover in the original position (2) and press down until it engages (3).



8. Place cover in the original position, press down and engage.
9. Reinstall filters.
10. Re-insert racks.

**Note:** The drain pump will not work properly if the drain pump cover is not snapped in completely until it clicks.

## Preparing your unit for vacation

**NOTICE:** Before leaving for vacation during warmer weather, besides turning off the main valve, also turn off water supply at the nearest point to the dishwasher. Do not leave soiled dishware in unit and leave door slightly open. During colder weather, please follow the instructions for winterizing your unit below.

## Winterizing your unit

**NOTICE:** If your dishwasher will be unused for a period of time in a location that experiences freezing temperatures (holiday home or through a vacation period), have your dishwasher winterized by a professional service.

# Troubleshooting

Dishwashers may occasionally exhibit problems that are unrelated to a malfunction of the dishwasher itself. The following information may help you with a dishwasher problem without involving a repair professional.

**Note:**

If the appliance stops during dishwashing or does not start for any obvious reason, first run the cancel wash cycle function (Reset).

**▲ WARNING**

IMPROPER REPAIRS OR USE OF NON-ORIGINAL REPLACEMENT PARTS MAY CAUSE

CONSIDERABLE DAMAGE AND PUT THE USER AT CONSIDERABLE RISK

Always have repairs carried out by authorized technicians. If a component has to be replaced, always use original replacement parts.

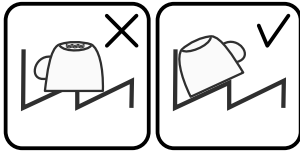
**Error message**

Some faults are indicated at the top of the display window [4] and on the front display \* [13] and possible remedies are offered (for example Filter system soiled (E22) →Clean filters).

\* optional feature which may or may not be included with your dishwasher.

**Fault table**

Fault	Cause	Remedial action
Error code <b>E:18</b> is lit.	Supply hose kinked.	Install supply hose without kinks.
	Tap turned off.	Turn on the tap.
	Tap jammed or calcified.	Turn on the tap. Flow rate must be min. 10 l/min. when water supply is open.
Error code <b>E:07</b> is lit.	Intake opening (on right inside of appliance) covered by dishes.	Arrange dishes so that the intake opening is not obstructed.
Error code <b>E:22</b> is lit.	Filters [29] are soiled or blocked.	Clean filters.
Error code <b>E:24</b> is lit.	Waste-water hose kinked or blocked.	Install hose without kinks, remove any residue.
	Siphon connection still sealed.	Check connection to siphon and open if required.
	Cover on the drain pump loose.	Lock cover correctly.
Error code <b>E:25</b> is lit.	Drain pump blocked or cover on the drain pump is not locked in position.	Clean pump and lock cover correctly.
Error code <b>E:27</b> is lit.	Supply voltage too low.	Not an appliance fault, have the mains voltage and electrical installation checked.
A different error code is indicated on the digital display. ( <b>E:01</b> to <b>E:30</b> )	A technical fault has probably occurred.	Switch off appliances with the ON/OFF switch [1]. After a short time restart the appliance. If the problem recurs, turn off the tap and pull out the mains plug. Call customer service and mention the error code.
Refill indicator for salt [6] and/or rinse-aid [5] is lit.	No rinse aid.	Refill rinse aid.
	No salt.	Refill with special salt.
	Sensor does not detect salt tablets.	Use different special salt.
Refill indicator for salt [6] and/or rinse-aid [5] is not lit.	Refill indicator switched off.	Activation/deactivation.
	There is still enough special salt/ rinse aid available.	Check refill indicator, levels.
Water is left in the appliance at the end of the wash cycle.	Filter system or area under the filters [29] is blocked.	Clean filters and area underneath.
	Wash cycle has not ended yet.	Wait until wash cycle ends or reset.

<b>Fault</b>	<b>Cause</b>	<b>Remedial action</b>
Dishes not dry.	No or too little rinse aid in the dispenser.	Refill rinse aid.
	Wash cycle selected without drying.	Select wash cycle with drying.
	Water collecting in depressions on the dishes and silverware.	Arrange dishes in a sloping position, arrange affected dishes as sloping as possible.
		
	The combined detergent used has a poor drying performance.	Use different combination detergent with better drying performance. Use of rinse aid also increases the drying performance.
	extraDry to increase drying not activated.	Activate extraDry.
	Dishes were removed too early or drying process had not ended yet.	Wait until wash cycle ends or wait until 30 min after wash cycle ends before removing dishes.
	The eco rinse aid used has a limited drying performance.	Use a commercial brand of rinse aid. Eco products may have limited effectiveness.
Plastic dishes not dry.	Special properties of plastic.	Plastics do not dry well because they do not hold heat.
Silverware not dry.	Silverware not arranged properly in the silverware basket.	Separate silverware if possible, prevent contact points.
	Silverware not arranged properly in the third rack.	Arrange silverware properly and separate if possible.
Appliance interior wet after rinse cycle.	No appliance fault.	Dishwashers use "condensation drying," where humid air condenses on tub walls so it can drain and be pumped out.
Food soils on the dishes.	Dishes placed too closely together, racks overfilled.	Arrange dishes with adequate clearance between them ensuring that the spray jets can reach the surface of the dishes. Prevent contact points.
	Spray arm rotation obstructed.	Arrange dishes so that the spray arm can rotate without obstruction.
	Spray arm nozzles are blocked.	Clean the spray arm nozzles.
	Filters [29] dirty.	Clean filters.
	Filters [29] inserted incorrectly and/or not engaged.	Insert and engage filters correctly.
	Rinse wash cycle too weak.	Select a more intensive rinse cycle. Increase sensitivity of the sensors.
	Dishes precleaned too intensely; sensors therefore decide on weak wash cycle sequence. Stubborn soiling cannot be completely removed.	Do not prerinse dishes. Remove only large food soils. Increase sensitivity of the sensors. Recommended wash cycle "Regular" or Intensive.
	Tall narrow containers in corner areas are not rinsed adequately.	Do not tilt containers and do not place in the corner area.
	Upper rack [22] on right and left not set to same height.	Set upper rack to same height using side levers.

<b>Fault</b>	<b>Cause</b>	<b>Remedial action</b>
Dishwasher seems to run a long time.	Incoming water is not warm enough.	Before starting a cycle, run hot water faucet at the sink closest to the dishwasher.
	Cycle time can vary due to soil and water conditions.	Sensors in the dishwasher automatically increase the cycle time to ensure a good wash when heavy soil is detected.
	Rinse aid dispenser [32] is empty.	Add rinse aid.
	Dishwasher connected to cold water supply.	Verify dishwasher is connected to hot water supply plumbing.
	<b>Note:</b> : Check the typical wash cycle length.	
Detergent residue.	Detergent dispenser cover [33] blocked by dishes and therefore does not open fully.	Dishes must not be placed above the detergent tab tray [24]. These may block the lid of the detergent dispenser and prevent it from opening fully. Do not place dishes or fragrance dispenser in the detergent tab tray.
	Detergent dispenser cover [33] blocked by the detergent tab.	Detergent tab must be inserted flat and not upright.
	Detergent tab used in the quick or short wash cycle.	Dissolving time of detergent tab too long for a quick or short wash cycle.
	Dissolving time of the detergent is not reached in the selected short wash cycle.	Use a detergent powder or select a more intensive wash cycle.
	Washing effect and dissolving performance are reduced after a prolonged storage time or detergent is very lumpy.	Change detergent.
Water stains on plastic parts.	Droplet formation on plastic surface is physically unavoidable. After drying, water stains are visible.	Use a more intensive wash cycle (more water changes). Arrange dishes in a sloping position. Use rinse aid. If required, increase softening setting.
Washable or water-soluble coatings in the container or on the door.	Detergent substances are deposited. These coatings cannot usually be removed with chemicals (appliance cleaner, ...).	Change detergent brand. Clean appliance mechanically.
	If there is a "white coating" on the container floor, the water softening system has been set very low.	Increase softening setting and change detergent if required.
	Salt dispenser cover [28] not closed.	Close salt dispenser cover correctly.
	Only for glasses: Initial glass corrosion – can only apparently be wiped off.	See "Glass and silverware damage".
White limescale on the dishes, tub, racks or door.	White residue coats dishwasher interior and racks wheels squeak from lime scale deposits in hard water.	Use dishwasher cleaner every few months. If dishwasher has a water softener, increase the setting.
	Hard water kept 3 in 1 detergent or bio/eco detergent from being effective.	Use separate dishwasher detergent, rinse aid and dishwasher softener salt (if dishwasher has a softener).
	Underdosing of detergent.	Use more detergent or change to a more effective detergent.
	Rinse temperature is too low.	Select a more intensive wash cycles with higher washing temperatures.

<b>Fault</b>	<b>Cause</b>	<b>Remedial action</b>
Tea or lipstick residue on the dishes.	Too low rinsing temperature.	Select wash cycle with higher washing temperature.
	Too little or unsuitable detergent.	Use suitable detergent at correct dosage.
	Dishes precleaned too intensely; sensors therefore decide on weak wash cycle sequence. Stubborn soiling cannot be completely removed.	Do not prerinse dishes. Remove only large food soils. Increase sensitivity of the sensors. Recommended wash cycle "Regular".
Colored (blue, yellow, brown), film in the dishwasher or on stainless steel cutlery/cookware.	Film from mixture of food and mineral deposits.	Can be partly removed with dishwasher cleaner or by mechanical cleaning.
	Film formed by oxidation of silver or aluminum cookware.	Can be partly removed with dishwasher cleaner or by mechanical cleaning.
Colored (yellow, orange, brown), easily removable film inside the appliance (mainly in the floor area).	Soapy film from mixture of food and hard water.	Use water softener* - refill with salt or increase setting where necessary. Use dishwasher detergent instead of a 3 in 1 or Eco detergent.
Plastic parts stained or discolored.	Plastic parts inside the appliance may become discolored during the service life of the dishwasher.	Discoloration is normal and will not impair the function of the dishwasher.
	Too low rinsing temperature.	Select wash cycle with higher washing temperature.
	Dishes precleaned too intensely; sensors therefore decide on weak wash cycle sequence. Stubborn soiling cannot be completely removed.	Do not prerinse dishes. Remove only large food soils. Increase sensitivity of the sensors. Recommended wash cycle "Regular".
Removable streaks on glasses, glasses with metallic appearance and silverware.	Too much rinse aid.	Set rinse aid amount to lower setting.
	No rinse aid added or setting too low.	Add rinse aid and check dosage (recommended setting 4–5).
	Detergent residue in the final rinse wash cycle section. Detergent dispenser cover blocked by dishes (cover does not open fully).	Detergent dispenser cover must not be obstructed by dishes. Do not place dishes or fragrance dispenser in the detergent tab tray.
	Dishes precleaned too intensely; sensors therefore decide on weak wash cycle sequence. Stubborn soiling cannot be completely removed.	Do not prerinse dishes. Remove only large food soils. Increase sensitivity of the sensors. Recommended wash cycle "Regular".
Initial or existing, irreversible clouding of glass.	Glasses not dishwasher-proof, only suitable for dishwasher.	Use dishwasher-proof glasses. Avoid long steam phase (standing time after wash cycle ends). Use wash cycle at lower temperature. Set water softening system according to the water hardness (if required one setting lower). Use detergent with glass protection component.
Rust spots on the silverware.	Silverware not adequately rust-resistant. Knife blades are frequently more severely affected.	Use corrosion-resistant silverware.
	Silverware will also rust if rusting parts are rinsed at the same time (pan handles, damaged utensil baskets, etc.).	Do not wash rusting parts.
	Salt content in the rinsing water too high, as salt dispenser lock not fastened firmly or salt was spilled while being refilled.	Fasten salt dispenser lock firmly or remove spilled salt.

<b>Fault</b>	<b>Cause</b>	<b>Remedial action</b>
Appliance cannot be switched on or operated.	Malfunction.	Disconnect appliance from the power supply; pull out the mains plug or switch off the fuse. Wait at least 5 seconds, then connect the appliance to the power supply.
Appliance does not start.	Mains fuse may have been blown or circuit breaker tripped.	Check mains fuse or circuit breaker.
	Door may not be properly latched.	Press the main power switch to turn unit on.
	Unit may not be turned on.	Shut door completely.
	Delay start may be engaged.	To reset, refer to "Delay start" section in this manual.
	'Push 2x to open' is activated.	Deactivate this setting. Refer to settings section in this manual if applicable.
	The door may have been closed without first selecting a cycle.	Select a cycle and close the door.
	Power cord not inserted.	Ensure that the power cord is plugged all the way into the back of the appliance and into the socket. Check that the socket functions.
	The water supply may not be connected.	Check and turn on water supply.
	The appliance door has not been shut properly.	Close the door.
Wash cycle starts automatically.	The door has been open for more than 4 seconds after pressing the START button.	Press the START button again and close the appliance door within 4 seconds (see "Protection against unintentional operation").
	You did not wait until wash cycle ended.	Perform reset. (see "Canceling the wash cycle").
Cover on the detergent dispenser cannot be closed.	Detergent dispenser or cover guide blocked by sticky detergent residue.	Remove detergent residue.
Detergent residue in the detergent dispenser [33] or in the detergent tab tray [24].	Spray arms blocked by dishes, therefore detergent is not rinsed out.	Ensure that the spray arms can rotate freely.
	The detergent dispenser was damp when filled.	Pour detergent into the dry detergent dispenser only.
Appliance stops in the wash cycle or wash cycle is interrupted.	Door not closed properly.	Close the door.
	Do not place dishes or fragrance dispenser in the detergent tab tray. Upper rack presses against the door and prevents door from being closed securely.	Check whether rear panel is being pressed in, e.g. by socket or by hose holder which has not been removed.
	Power and/or water supply interrupted.	Restore power and/or water supply.
Filling valves making striking noises.	Depends on domestic installation, as appliance is not defective. No effect on appliance function.	No remedial action possible.
Knocking or rattling noise.	Spray arm strikes the dishes, dishes not positioned correctly.	Position dishes so that the spray arms do not strike the dishes.
	If there is a low load, the water jets strike the washing tank directly.	Load the appliance with more dishes or distribute the dishes more evenly in the dishwasher.
	Light dishes move during the wash cycle.	Arrange light dishes securely.
Unusual foam formation.	Handwash liquid in the rinse aid dispenser.	Immediately refill rinse aid dispenser with rinse aid.
	Rinse aid spilled.	Remove rinse aid with a cloth.

---

## Customer Service

Your dishwasher requires no special care other than that described in the Care and Maintenance section of this manual. If you are having a problem with your dishwasher, before calling for service please refer to the Troubleshooting Guide section of the manual. If service is necessary, contact your dealer or installer or an authorized service center. Do not attempt to repair the appliance yourself. Any work performed by unauthorized personnel may void the warranty.

If you are having a problem with your dishwasher and are not pleased with the service you have received, please take the following steps until the problem is corrected to your satisfaction:

1. Contact your installer or the Thermador® authorized service provider in your area.
2. E-mail us from the customer service section of our website, **www.thermador.com** (USA) or **www.thermador.ca** (Canada)
3. Call us at **800-735-4328**
4. Write us:

BSH Home Appliances Corporation  
1901 Main Street, Suite 600  
Irvine, CA 92614  
USA

Please be sure to include your model information as well as an explanation of the problem and the date it started. You will find the model and serial number information on the label located on the edge of the dishwasher door. Please make a copy of your invoice and keep it with this manual. The customer may be required to show proof of purchase to validate warranty coverage.



# Statement of Limited Product Warranty

## What this Warranty Covers & Who it Applies to:

The limited warranty provided by BSH Home Appliances (Thermador®) in this Statement of Limited Product Warranty applies only to the Thermador appliance ("Product") sold to you, the first using purchaser, provided that the Product was purchased:

- for your normal, household (non-commercial) use, and has in fact at all times only been used for normal household purposes;
- new at retail (not a display, "as is", or previously returned model), and not for resale, or commercial use; and
- within the United States or Canada, and has at all times remained within the country of original purchase. The warranties stated herein apply only to the first purchaser of the Product and are not transferable.

Thermador reserves the right to request proof of purchase at the time any warranty claim is submitted to confirm that the Product falls within the scope of this limited product warranty.

Please make sure to return your registration card; while not necessary to effectuate warranty coverage, it is the best way for Thermador to notify you in the unlikely event of a safety notice or product recall.

## How Long the Warranty Lasts

Thermador warrants that the Product is free from defects in materials and workmanship for a period of seven hundred thirty (730) days (2 years) from the date of purchase. The foregoing timeline begins to run upon the date of purchase, and shall not be stalled, tolled, extended, or suspended, for any reason whatsoever.

This Product is also warranted to be free from **cosmetic** defects in material and workmanship (such as scratches of stainless steel, paint/porcelain blemishes, chip, dents, or other damage to the finish of the Product), for a period of thirty (30) days from the date of purchase or closing date for new construction. This **cosmetic** warranty excludes slight color variations due to inherent differences in painted and porcelain parts, as well as differences caused by kitchen lighting, product location, or other similar factors. This **cosmetic** warranty specifically excludes any display, floor, "As Is", or "B" stock appliances.

## Extended Limited Warranty

BSH also provides these additional limited warranties:

- 5 year limited warranty on electronics: BSH will repair or replace any BSH microprocessor or printed circuit board if it proves to be defective in materials or workmanship (excludes labor charges).
- 5 year limited warranty on dish racks: BSH will replace the upper or lower dish rack (excluding rack components), if the rack proves defective in materials or workmanship (excludes labor charges).
- Lifetime warranty against stainless steel rust through: BSH will repair or replace your dishwasher with the same model or a current model that is substantially equivalent or better in functionality, if the inner liner should rust through (excludes labor charges).
- BSH will repair or replace the stainless steel door if the door should rust through (excludes labor charges).

## Repair/Replace as Your Exclusive Remedy

During this warranty period, Thermador or one of its authorized service providers will repair your Product without charge to you (subject to certain limitations stated herein) if your Product proves to have been manufactured with a defect in materials or workmanship. If a reasonable number attempts to repair the Product have been made without success, then Thermador will replace your Product (upgraded models may be available to you, in Thermador's sole discretion, for an additional charge). All removed parts and components shall become the property of Thermador at its sole option. All replaced and/or repaired parts shall assume the identity of the original part for purposes of this warranty and this warranty shall not be extended with respect to such parts. Thermador's sole liability and responsibility hereunder is to repair manufacturer-defective Product only, using a Thermador-authorized service provider during normal business hours. For safety and property damage concerns, Thermador highly recommends that you do not attempt to repair the Product yourself, or use an unauthorized servicer; Thermador will have no responsibility or liability for repairs or work performed by a non-authorized servicer. If you choose to have someone other than an authorized service provider work on your Product, **THIS WARRANTY WILL AUTOMATICALLY BECOME NULL AND VOID**. Authorized service providers are those persons or companies that have been specially trained on Thermador products, and who possess, in Thermador's opinion, a superior reputation for customer service and technical ability (note that they are independent entities and are not agents, partners, affiliates or representatives of Thermador). Notwithstanding the foregoing, Thermador will not incur any liability, or have responsibility, for the Product if it is located in a remote area (more than 100 miles from an authorized service provider) or is reasonably inaccessible, hazardous, threatening, or treacherous locale, surroundings, or environment; in any such event, if you request, Thermador would still pay for labor and

parts and ship the parts to the nearest authorized service provider, but you would still be fully liable and responsible for any travel time or other special charges by the service company, assuming they agree to make the service call.

## Out of Warranty Product

Thermador is under no obligation, at law or otherwise, to provide you with any concessions, including repairs, pro-rates, or Product replacement, once this warranty has expired.

## Warranty Exclusions

The warranty coverage described herein excludes all defects or damage that are not the direct fault of Thermador, including without limitation, one or more of the following:

- Use of the Product in anything other than its normal, customary and intended manner (including without limitation, any form of commercial use, use or storage of an indoor product outdoors, use of the Product in conjunction with air or water-going vessels);
- Any party's willful misconduct, negligence, misuse, abuse, accidents, neglect, improper operation, failure to maintain, improper or negligent installation, tampering, failure to follow operating instructions, mishandling, unauthorized service (including self-performed "fixing" or exploration of the appliance's internal workings);
- Adjustment, alteration or modification of any kind;
- A failure to comply with any applicable state, local, city, or county electrical, plumbing and/or building codes, regulations, or laws, including failure to install the product in strict conformity with local fire and building codes and regulations;
- Ordinary wear and tear, spills of food, liquid, grease accumulations, or other substances that accumulate on, in, or around the Product;
- Any external, elemental and/or environmental forces and factors, including without limitation, rain, wind, sand, floods, fires, mud slides, freezing temperatures, excessive moisture or extended exposure to humidity, lightning, power surges, structural failures surrounding the appliance, and acts of God.

In no event shall Thermador have any liability or responsibility whatsoever for damage to surrounding property, including cabinetry, floors, ceilings, and other structures or objects around the Product. Also excluded from this warranty are Products on which the serial numbers have been altered, defaced, or removed; service visits to teach you how to use the Product, or visits where there is nothing wrong with the Product; correction of installation problems (you are solely responsible for any structure and setting for the Product, including all electrical, plumbing or other connecting facilities, for proper foundation/flooring, and for any alterations including without limitation cabinetry, walls, floors, shelving, etc.); and resetting of breakers or fuses. TO THE EXTENT ALLOWED BY LAW, THIS WARRANTY SETS OUT YOUR EXCLUSIVE REMEDIES WITH RESPECT TO PRODUCT, WHETHER THE CLAIM ARISES IN CONTRACT OR TORT (INCLUDING STRICT LIABILITY,

OR NEGLIGENCE) OR OTHERWISE. THIS WARRANTY IS IN LIEU OF ALL OTHER WARRANTIES, WHETHER EXPRESS OR IMPLIED. ANY WARRANTY IMPLIED BY LAW, WHETHER FOR MERCHANTABILITY OR FITNESS FOR A PARTICULAR PURPOSE, OR OTHERWISE, SHALL BE EFFECTIVE ONLY FOR THE PERIOD THAT THIS EXPRESS LIMITED WARRANTY IS EFFECTIVE. IN NO EVENT WILL THE MANUFACTURER BE LIABLE FOR CONSEQUENTIAL, SPECIAL, INCIDENTAL, INDIRECT, "BUSINESS LOSS", AND/OR PUNITIVE DAMAGES, LOSSES, OR EXPENSES, INCLUDING WITHOUT LIMITATION TIME AWAY FROM WORK, HOTELS AND/OR RESTAURANT MEALS, REMODELLING EXPENSES IN EXCESS OF DIRECT DAMAGES WHICH ARE DEFINITELY CAUSED EXCLUSIVELY BY BSH, OR OTHERWISE. SOME STATES DO NOT ALLOW THE EXCLUSION OR LIMITATION OF INCIDENTAL OR CONSEQUENTIAL DAMAGES, AND SOME STATES DO NOT ALLOW LIMITATIONS ON HOW LONG AN IMPLIED WARRANTY LASTS, SO THE ABOVE LIMITATIONS MAY NOT APPLY TO YOU. THIS WARRANTY GIVES YOU SPECIFIC LEGAL RIGHTS, AND YOU MAY ALSO HAVE OTHER RIGHTS WHICH VARY FROM STATE TO STATE. No attempt to alter, modify or amend this warranty shall be effective unless authorized in writing by an officer of BSH.

## How to Obtain Warranty Service

To obtain warranty service for your Product, you should contact the nearest Thermador authorized service center.

# *Table de* **MATIÈRES**

---

Indications de sécurité .....	48
CONSIGNES DE SÉCURITÉ IMPORTANTES .....	49
Causes de pannes .....	51
Mise en marche .....	52
Home Connect™ .....	56
Système d'adoucissement de l'eau / sels .....	58
Produit de rinçage .....	60
Chargement du lave-vaisselle .....	62
Détergent .....	72
Cycles du lave-vaisselle .....	74
Options de cycles du lave-vaisselle .....	75
Mise en marche du lave-vaisselle .....	78
Entretien et maintenance .....	82
Dépannage .....	86
Service à la clientèle .....	93
Déclaration de la garantie limitée du produit .....	94

*Cet appareil électroménager  
de THERMADOR*

est fait par BSH Home Appliances Ltd.  
6696 Financial Drive, Unit 3  
Mississauga, ON L5N 7J6

---

*Question ?*

1-800-735-4328

[www.thermador.ca](http://www.thermador.ca)

*Nous attendons de vos nouvelles.*

---

# Indications de sécurité

---

## ▲ AVERTISSEMENT

---

Ceci indique des risques de blessures graves ou mortelles en cas de non-respect de cette mise en garde.

---

---

## ▲ ATTENTION

---

Ceci indique des risques de blessures mineures ou de gravité moyenne en cas de non-respect de cette mise en garde.

---

**AVIS :** Ceci indique un risque d'endommagement de l'appareil ou de biens en cas de non respect de ces consignes.

**Remarque :** Ceci vous signale des informations et/ou indications importantes.

# **CONSIGNES DE SÉCURITÉ IMPORTANTES**

## LISEZ ET CONSERVEZ CES INSTRUCTIONS

Ce lave-vaisselle est livré avec des instructions de montage et ce Manuel d'utilisation et d'entretien. Lisez et assurez-vous d'avoir bien assimilé toutes les instructions avant d'utiliser le lave-vaisselle.

Ce lave-vaisselle est conçu pour une utilisation jusqu'à une altitude de 13 000 pieds (4000 m) au-dessus du niveau de la mer.

**Pour réduire le risque d'incendie, de choc électrique, ou de blessures graves, respectez les consignes suivantes :**

---

### AVERTISSEMENT

#### RISQUE DE BLESSURE OU DE DÉCÈS

La mauvaise utilisation du lave-vaisselle peut causer des blessures graves ou mortelles. Évitez d'utiliser le lave-vaisselle d'une manière non conforme aux directives énoncées dans ce manuel ou à d'autres fins que celles énoncées dans les pages suivantes.

---

### AVERTISSEMENT

#### RISQUE DE BLESSURES

La réparation de l'appareil par des techniciens d'entretien non qualifiés ou l'utilisation de pièces de rechange non originales peuvent causer des blessures graves ou endommager l'équipement. Tous les travaux de réparation doivent être effectués par un technicien d'entretien qualifié utilisant uniquement des pièces de rechange d'origine.

---

### AVERTISSEMENT

#### RISQUE DE CHOC ÉLECTRIQUE OU D'INCENDIE

Un choc électrique ou un incendie peut survenir si l'alimentation électrique du lave-vaisselle décrit dans le présent manuel est mal installée ou s'il n'est pas correctement mis à la terre. Le lave-vaisselle décrit dans ce manuel ne doit pas être utilisé à moins d'être certain de la bonne installation de l'alimentation électrique et de la mise à la terre correcte du lave-vaisselle.

---

### AVERTISSEMENT

#### RISQUE POUR LA SANTÉ

N'utilisez jamais des produits chimiques agressifs pour nettoyer votre lave-vaisselle. Certains produits contenant du chlore peuvent endommager le lave-vaisselle et présenter des risques pour la santé!

## INSTRUCTIONS DE MISE À LA TERRE

Cet équipement doit être mis à la terre au niveau d'un système de câblage permanent en métal, ou un conducteur de mise à la masse d'équipement doit être intégré aux conducteurs d'alimentation et connecté au terminal de mise à la masse de l'équipement ou à la broche de raccordement du lave-vaisselle. Voir la rubrique Instructions de montage fournie pour avoir plus d'informations sur les exigences électriques.

---

### AVERTISSEMENT

#### RISQUE DE CHOC ÉLECTRIQUE

Cet appareil doit être mis à la terre. En cas de dysfonctionnement, la mise à la terre réduira le risque de choc électrique en fournissant une voie de moindre résistance au courant électrique. Cet appareil est équipé d'un câble disposant d'un conducteur de mise à la terre. La mauvaise connexion du conducteur de mise à la terre peut provoquer un risque de choc électrique. En présence d'un électricien qualifié, vérifiez, en cas de doute, si l'appareil est correctement mis à la terre.

## Fonctionnement normal

Utilisez ce lave-vaisselle uniquement aux fins spécifiées, notamment le lavage de vaisselle et d'ustensiles de cuisine indiqués comme lavables au lave-vaisselle.

Utilisez uniquement des détergents ou des produits de rinçage recommandés pour un lave-vaisselle, puis tenez-les hors de la portée des enfants.

---

### ATTENTION

Lors du chargement de vaisselle à laver :

- identifiez les objets tranchants pour éviter qu'ils n'endommagent le joint de la porte.
- les couteaux et autres ustensiles tranchants doivent être placés debout, les **POIGNÉES EN HAUT**, afin de réduire le risque de coupures.
- ne lavez pas les objets en plastique, sauf s'ils portent l'inscription « lavable au lave-vaisselle » ou une indication équivalente. Pour les objets en plastique ne portant pas cette indication, consultez les recommandations de leurs fabricants respectifs.
- évitez de mettre votre lave-vaisselle en marche à moins que tous les panneaux ne soient en place.
- ne touchez pas ou ne passez pas outre les commandes et verrouillages.

---

Évitez de vous asseoir, de vous appuyer ou d'utiliser de manière abusive la porte ou les paniers à vaisselle du lave-vaisselle.



# CONSIGNES DE SÉCURITÉ IMPORTANTES

## LISEZ ET CONSERVEZ CES INSTRUCTIONS

---

### AVERTISSEMENT

---

#### RISQUE DE BLESSURES

Pour éviter des risques de blessures, faites toujours attention lorsque vous ouvrez la porte pendant ou après un cycle de lavage car des rejets d'eau chaude ou de vapeur peuvent survenir. N'ouvrez pas complètement la porte avant que les bruits d'eau n'aient cessés et que la vapeur ne soit dissipée.

Pour réduire le risque de blessure, interdisez aux enfants de jouer dans ou sur le lave-vaisselle.

À l'âge adulte leur permettant d'utiliser la machine, les enfants sont sous la responsabilité de leurs parents/ tuteurs légaux qui doivent s'assurer qu'ils sont suffisamment instruits sur les bonnes pratiques par des personnes qualifiées.

---

Les lave-vaisselle domestiques certifiés NSF/ANSI 184 ne sont pas destinés aux établissements de services alimentaires agréés.

### Entretien et maintenance corrects

---

### AVERTISSEMENT

---

#### RISQUE D'EXPLOSION

Sous certaines conditions, de l'hydrogène gazeux peut se créer dans un système d'eau chaude inutilisé pendant deux semaines ou plus. L'hydrogène gazeux est de nature explosive. Avant d'utiliser un lave-vaisselle connecté à un système d'eau chaude inutilisé pendant deux semaines ou plus, ouvrez tous les robinets d'eau chaude et laissez l'eau s'écouler pendant plusieurs minutes. Tout l'hydrogène gazeux accumulé sera ainsi évacué. Compte tenu de la nature explosive du gaz, évitez de fumer ou d'utiliser des flammes nues à ce moment.

---

Retirez la porte du lave-vaisselle menant au compartiment de nettoyage lors du retrait d'un ancien lave-vaisselle dans le cadre de l'entretien ou de la mise au rebut.

Pour éviter d'endommager le plancher et la propagation des moisissures, les alentours et le dessous du lave-vaisselle ne doivent pas rester humides.

**Remarque :** Afin de ne pas endommager le lave-vaisselle, évitez de laisser l'eau pénétrer dans les systèmes de votre appareil pendant de longues périodes à des températures de gel. Par temps de gel, la vanne de remplissage d'eau ainsi que d'autres composants de votre lave-vaisselle peuvent s'endommager.

**AVIS :** Il est vivement recommandé à l'utilisateur final de se familiariser avec les procédures d'arrêt de l'alimentation en eau ainsi qu'avec les procédures d'arrêt de l'alimentation électrique entrante. Consultez les instructions de montage ou contactez votre installateur pour de plus amples informations.

---

### Avertissement issue de la proposition 65 de l'État de la Californie :

---

### AVERTISSEMENT

---

Ce produit peut vous exposer à des produits chimiques, comme du chlorure de vinyle, reconnus par l'État de la Californie comme causant le cancer, des malformations congénitales ou d'autres effets nocifs sur la reproduction. Pour de plus amples renseignements, consultez [www.P65Warnings.ca.gov](http://www.P65Warnings.ca.gov).

---

---

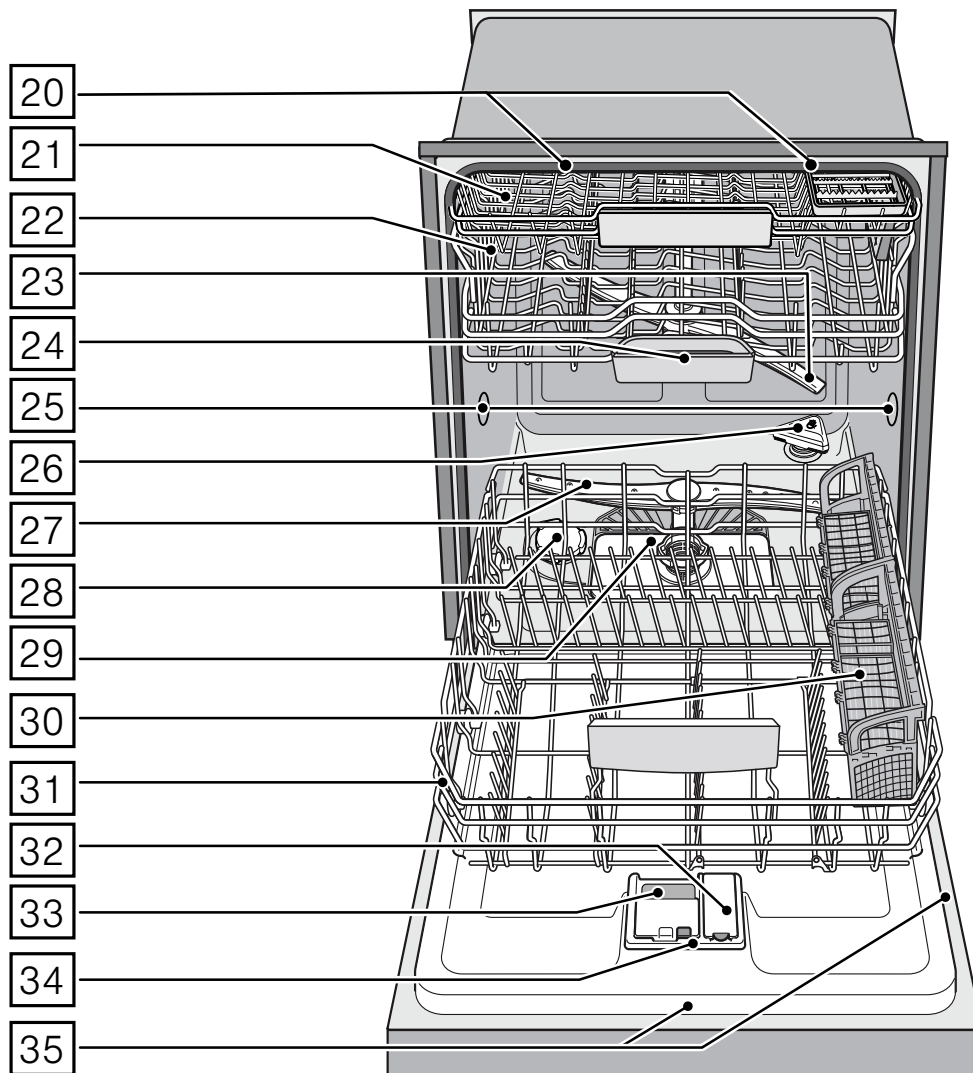
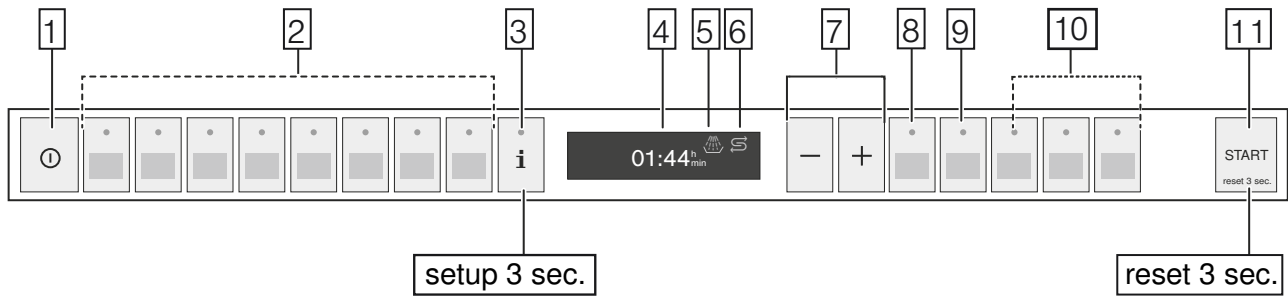
## Causes de pannes

### AVIS

- N'utilisez jamais de nettoyants à vapeur pour laver votre lave-vaisselle. Le fabricant n'est pas responsable des conséquences ou des dommages éventuels.
- Pour éviter toute possibilité d'endommager le lave-vaisselle, n'utilisez pas des produits chimiques acides, des nettoyants abrasifs, des tampons à récurer (métalliques ou plastiques), ou des éponges/essuie-tout abrasifs pour nettoyer le panneau de porte extérieure de votre lave-vaisselle. Cela peut endommager le panneau de porte extérieur de votre lave-vaisselle.
- Afin de ne pas endommager le lave-vaisselle, n'y chargez pas des objets en papier, des sacs en plastique, des matériaux d'emballage ou tout article autre qu'un article normal, de la vaisselle ou des ustensiles de cuisine lavables au lave-vaisselle.
- **Protégez votre lave-vaisselle des éléments. Protégez-le du gel afin d'éviter d'endommager la soupape de remplissage. Les dégâts causés par le gel ne sont pas couverts par la garantie.**

# Mise en marche

## Vue d'ensemble de l'appareil





Les numéros mentionnés ci-dessous font référence aux images d'aperçu sur la page précédente du présent manuel.

## Panneau de commande

- 1 Interrupteur Marche/Arrêt
- 2 Touches de programmation \*\*
- 3 Bouton Information **i**
- 4 Affichage digital
- 5 Indicateur de remplissage de liquide de rinçage
- 6 Indicateur de remplissage de sel
- 7 Touches de réglage
- 8 Bouton Delay start (démarrage différé) / <
- 9 Bouton de télé-démarrage / >
- 10 Fonctions supplémentaires \*\*
- 11 Touche DÉMARRAGE

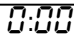



**Remarque :** Certains cycles et options de nettoyage varient selon le modèle.

## Composants internes du lave-vaisselle

- 20 Éclairage intérieur
- 21 Tiroir à couverts \*
- 22 Panier à vaisselle supérieur
- 23 Bras d'aspersion supérieur
- 24 Coupelle interceptrice des pastilles
- 25 Orifice de ventilation
- 26 StarDry™ sortie
- 27 Bras d'aspersion inférieur
- 28 Réservoir de sel spécial
- 29 Filtres
- 30 Panier à couverts\*
- 31 Panier à vaisselle inférieur
- 32 Réservoir de liquide de rinçage
- 33 Compartiment à détergent
- 34 Verrou de fermeture du compartiment à détergent
- 35 Plaque signalétique

\* option facultative qui peut être ou ne pas être incluse avec votre lave-vaisselle.

## Indicateurs

	Temps de cycle restant
	S'allume lorsque la quantité de produit de rinçage est faible
	S'allume lorsque la quantité de sel est faible
	S'allume lorsque la connexion Wi-Fi est établie

## Bouton Information i

Le bouton Information **i** peut-être utilisé pour afficher des informations supplémentaires sur le cycle de lavage.

1. Appuyez sur le bouton **i** 3.
2. Appuyez sur le bouton de cycle de lavage.  
Les informations concernant le cycle de lavage sélectionné sont affichées dans la fenêtre d'affichage supérieure 4.
3. Pour sortir, appuyez sur le bouton Information **i** 3.

## Première mise sous tension de l'appareil

Lorsque le lave-vaisselle est mis sous tension pour la première fois, celui-ci vous invite à définir les paramètres requis après une première mise sous tension. Le

message suivant est indiqué dans la fenêtre d'affichage supérieure 4 :

**Faites défiler avec < >**

**Choisissez avec + -**

**Quittez en appuyant sur Setup 3 sec.**

Les réglages à définir lors de la première mise sous tension de l'appareil sont énumérés dans le tableau ci-dessous.

**Changez les réglages comme suit :**

1. Appuyez sur le bouton **>** 8 jusqu'à ce que le réglage désiré soit affiché.
2. Effectuez le réglage à l'aide des boutons **+ -** 7.
3. Appuyez et maintenez le bouton Information enfoncé **i** 3 pendant 3 secondes.

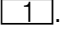
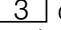
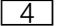
Les réglages sélectionnés ont été sauvegardés.

Réglages Première mise sous tension de l'appareil	Réglages d'usine	Texte informatif en appuyant sur le bouton Information i
Langue	Anglais (États-Unis)	Sélection de la langue.
Format d'affichage de l'heure.	24 h	12 h ou 24 h
Réglage de l'heure	12:00	Réglage de l'heure actuelle.
Dureté de l'eau	°E 0	Réglage de la dureté de l'eau. Lorsque vous utilisez des comprimés tout-en-un, sélectionnez la valeur la plus basse.
Distrib. de produit de rinçage	Niveau 5	La quantité de produit de rinçage utilisé affecte le séchage.

## Réglages

Le lave-vaisselle a été configuré avec certains réglages pour votre confort. Il est possible de modifier ces réglages usine.

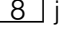
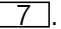
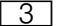
### Changez les réglages comme suit :

- Ouvrez la porte.
- Appuyez sur le bouton ON/OFF (MARCHE/ARRÊT) .
- Appuyez sur le bouton Information **i**  durant 3 secondes jusqu'à ce que le message suivant soit affiché dans la fenêtre d'affichage supérieure  :

**Faites défiler avec < >**

**Choisissez avec - +**

**Quittez en appuyant sur Setup 3 sec.**

- Appuyez sur le bouton **>**  jusqu'à ce que le réglage désiré soit affiché.
- Effectuez le réglage à l'aide des boutons **+ -** .
- Appuyez et maintenez le bouton Information enfoncé **i**  pendant 3 secondes.

Les paramètres sélectionnés ont été sauvegardés.

Il est possible de restaurer les réglages usine si vous désirez réinitialiser tous les réglages modifiés.

**Remarque :** Lorsque vous restaurez les paramètres d'usine de votre lave-vaisselle celui-ci vous invite à définir les paramètres comme s'il s'agissait d'une première mise sous tension.

Réglage	Réglage d'usine	Texte informatif en appuyant sur le bouton Info <b>i</b>
Réglage de l'heure	12.00	Réglage de l'heure actuelle.
Format de l'heure	12 h	12 h ou 24 h
Affichage de l'heure	Heure	Affiche l'heure de la fin du cycle avec le message « Fin dans » ou « Fin à ».
Langue	Français canadien	Sélection de la langue.
Dureté de l'eau	°E 0 à 8 douce	Réglage de la dureté de l'eau. Lorsque vous utilisez des comprimés tout-en-un, sélectionnez la valeur la plus basse.
Distribution de produit de rinçage	Niveau 5	La quantité de produit de rinçage utilisé affecte le séchage.
Réglage du capteur	Normal	Réglage de la détection de souillure pour l'obtention de résultats de lavage optimaux.
Extra dry (Séchage Supplémentaire)	Désactivé	Séchage amélioré pour les verres et la vaisselle en plastique.
Pronostic eco	Désactivé	Affiche la consommation d'eau et d'électricité.
Auto Power Off	Désactivé	L'appareil s'éteint automatiquement à la fin du rinçage.
Emotion Light	Activé	Éclairage compartiment intérieur
Emotion Light 1	Activé	Régage de la luminosité de l'éclairage interne.
Emotion Light 2	Activé	Régage de la luminosité de l'éclairage interne.
Emotion Light 3 *	Activé	Alerte d'erreur visuelle.
Temps restant PowerBeam® *	Activé	Les informations d'état sont projetées au sol durant le cycle de lavage.
Démarrer programme	Auto	Au démarrage, le dernier cycle de nettoyage sélectionné apparaît.
Volume du signal	Niveau 2	Volume du signal sonore à la fin du cycle de lavage.
Volume bouton	Niveau 2	Règle le volume lors de l'utilisation de divers boutons.
Appuyer 2 x pour ouvrir	Désactivé	Pousser sur la porte à deux reprises pour l'ouvrir.
Wi-Fi	Désactivé	Basculer connexion réseau actuelle.
Message de bienvenue	Activé	Vous pouvez supprimer l'affichage du logo de la marque à la mise sous tension de l'appareil.
Connexion réseau		Manuelle ou automatique.
Réglage d'usine	Réinitialiser	Réinitialiser les réglages usine.

\*selon les fonctions de votre lave-vaisselle

# Home Connect™

Ce lave-vaisselle est compatible Wi-Fi et peut être commandé à distance via un terminal mobile.

Si vous ne branchez pas votre lave-vaisselle à votre réseau domestique, vous pouvez l'utiliser manuellement de manière conventionnelle à l'aide des touches.

Consultez l'aperçu de l'appareil pour situer les boutons.

→ "Vue d'ensemble de l'appareil" à la page 52

## Touche Info

La touche Info [3] peut-être utilisée pour afficher des informations supplémentaires sur le cycle de lavage.

1. Appuyez sur la touche Info [3].
2. Appuyez sur le bouton de cycle de lavage.  
Les informations concernant le cycle de lavage sélectionné sont affichées dans la fenêtre d'affichage supérieure [4].
3. Pour sortir, appuyez sur la touche Info [3].

## Configurer l'app

Afin d'utiliser l'appareil via Home Connect, l'app Home Connect doit être installée sur votre terminal mobile.

Consultez les documents Home Connect fournis pour plus de détails.

Suivez les étapes prescrites par l'app pour procéder aux réglages.

## Configuration de Home Connect

Vous pouvez configurer votre lave-vaisselle en appuyant sur le bouton de télé démarrage [9] ou en procédant comme suit :

1. Ouvrez la porte.
2. Appuyez sur le bouton On/Off (Marche/Arrêt) [1].
3. Appuyez sur la touche Info [3] durant 3 secondes jusqu'à ce que le message suivant soit affiché dans la fenêtre d'affichage supérieure [4] :

**Faites défiler avec** < >

**Choisissez avec** - +

**Quittez en appuyant sur Setup 3 sec.**

4. Maintenez le bouton > [9] enfoncé jusqu'à ce que le réglage requis soit affiché dans la fenêtre d'affichage supérieure [4].
5. Effectuez le réglage à l'aide des boutons + - [7]. Consultez le tableau dans la section
6. Appuyez et maintenez la touche Info enfoncée [3] pendant 3 secondes.

Les paramètres sélectionnés ont été sauvegardés.

## Wi-Fi

Le menu Wi-Fi permet d'activer la connexion réseau avec « Activé » et de la désactiver avec « Désactivé ».



### Remarques

- Si la fonction Wi-Fi est en mode « Désactivé », les réglages « Connexion au réseau » et « Connectez avec l'appli » ne sont pas disponibles.
- La commande à distance de l'appareil nécessite une connexion stable au réseau sans fil.

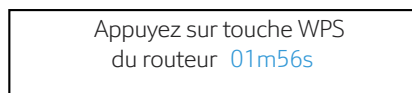
## Network login (connexion au réseau)

L'option de menu « Network login » (connexion au réseau) n'est disponible que si le Wi-Fi a été activé.

Dans le menu « Network login » (connexion au réseau), vous pouvez basculer entre « Autom./WPS » et « Manuel » pour la connexion du lave-vaisselle au réseau.

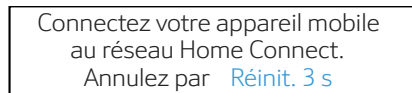


**Automatic (automatique):** connexion au réseau local à l'aide de la fonction WPS du routeur.



**Manual (manuel):** connexion de votre appareil mobile au réseau Home Connect. Les réglages de réseau sont ensuite saisis manuellement avec l'application Home Connect pour la connexion à votre réseau local. Consultez le feuillet Home Connect pour des instructions détaillées.

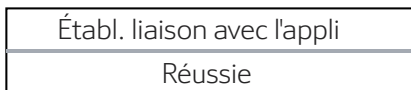
Une fois la connexion établie, le texte suivant devrait apparaître à l'écran dans la partie supérieure [4].

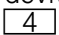


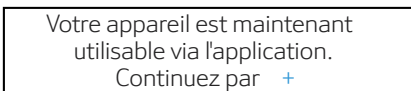
## Connexion à l'application

L'option de menu « °Connect to App° » (connexion à l'application) est uniquement disponible si une connexion au réseau local a été établie.

Le paramètre « Connect to App » (connexion à l'application) établit le lien entre votre lave-vaisselle, l'application et votre compte d'utilisateur.

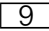


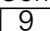
Une fois la connexion établie, le texte suivant devrait apparaître à l'écran dans la partie supérieure .



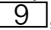
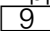
Reportez-vous au feuillet Home Connect pour de plus amples renseignements.

## Bouton de télé démarrage

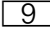
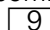
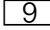

Une fois le lave-vaisselle branché au réseau domestique, appuyez sur le bouton de télé démarrage  pour commander le lave-vaisselle avec votre appareil.

Si le lave-vaisselle n'est pas encore branché à Home Connect, vous pouvez accéder aux réglages de Home Connect en appuyant sur le bouton de télé démarrage .

Suivez les instructions fournies dans le feuillet Home Connect.

**Remarque :** Votre lave-vaisselle est protégé contre les mises en marche involontaires. Si la porte de l'appareil reste ouverte durant plus de 4 secondes après que vous ayez appuyé sur le bouton de télé démarrage , l'opération est suspendue. Appuyez de nouveau sur le bouton de télé démarrage  et fermez la porte de l'électroménager pour reprendre le contrôle. Consultez également la section

### Remarques

- Une fois la connexion terminée, le bouton de télé démarrage  s'éteint.
- Pour activer de nouveau la télécommande, appuyez sur le bouton de télé démarrage .
- Si l'assistant Home Connect a été fermé durant le démarrage, appuyez de nouveau sur le bouton de télé démarrage .
- Si la connexion au routeur échoue,  clignote à l'écran.


## Wi-Fi sans connexion au serveur Home Connect

Vous pouvez interrompre la connexion au serveur Home Connect via l'app Home Connect.


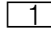
L'appareil demeurera branché localement à votre terminal mobile sans connexion au serveur Home Connect.

**Remarque :** Si vous n'avez pas désactivé la connexion au serveur Home Connect, vérifiez votre connexion Internet.

## Diagnostic à distance

Le service après-vente peut accéder à votre appareil via le Diagnostic à distance  en cas de besoin.

### Remarques

- Vous devez confirmer l'intervention du service après-vente sur votre appareil.
- Vous pouvez désactiver le Diagnostic à distance  avec l'interrupteur MARCHE / ARRÊT  ou désactiver l'intervention du service après-vente dans l'application Home Connect.

# Système d'adoucissement de l'eau / sels

Afin d'obtenir un bon rinçage, le lave-vaisselle a besoin d'une eau douce, c.-à-d. d'une eau pauvre en calcaire, à défaut de quoi des dépôts de calcaire se formeront sur les ustensiles ainsi qu'à l'intérieur de bac de lavage.. L'eau courante au-dessus de 12,5 °fH (1.2 mmol/l) doit être adoucie. L'adoucissement de l'eau s'obtient grâce à des sels spéciaux (sels de régénération) déposés dans le système d'adoucissement de l'eau du lave-vaisselle. Le réglage et par conséquent la quantité de sels spéciaux à déposer dépendent du niveau de dureté de votre eau courante (voir le tableau de dureté de l'eau ci-après).

## Tableau de dureté de l'eau

Valeur de la dureté de l'eau °E	Niveau de dureté	mmol/l	Définir la valeur sur la machine
0-8	douce	0-1,1	0-8
9-10	douce	1,2-1,4	9-10
11-12	moyenne	1,5-1,8	11-12
13-15	moyenne	1,9-2,1	13-15
16-20	moyenne	2,2-2,9	16-20
21-26	dure	3,0-3,7	21-26
27-38	dure	3,8-5,4	27-38
39-62	dure	5,5-8,9	39-62

## Utilisation d'une bandelette pour déterminer la dureté de l'eau

La bandelette est comprise dans le kit d'utilisation et de soins.

### Bandelette de test

Kurz eintauchen (1 sec), leicht abschütteln und nach 1 min ablesen. 4 grün/green/vert 1 rot/red/rouge 2 rot/red/rouge 3 rot/red/rouge 4 rot/red/rouge	Dip briefly (1 sec), shake of excess water and compare after 1 min. ■■■■■■■■■■ ■■■■■■■■■■ ■■■■■■■■■■ ■■■■■■■■■■ ■■■■■■■■■■	Flongez brièvement (1 sec), égouttez l'excès d'eau et comparez après 1 min. <3°dH/ <3.75°e/ <5.4°f >4°dH/ >5°e/ >7.2°f >8.4°dH/ >10.5°e/ >15.1°f >14°dH/ >17.5°e/ >25.2°f >21°dH/ >26.25°e/ >37.8°f	! <b>AQUADUR®</b> Teststäbchen zur Bestimmung der Wasserhärte Test stick for determination of water hardness Bandelette pour déterminer la dureté de l'eau
--	---	--	---

## Réglage du système d'adoucissement de l'eau

La quantité de sels déposés peut être réglée de 0 à 62°E. Les sels ne sont pas requis pour les valeurs de 0 à 8.

### Réglez le système d'adoucissement comme suit :

1. Demandez le degré de dureté de votre eau courante à votre fournisseur d'eau.
2. Le réglage à effectuer se trouve dans le tableau de dureté de l'eau.
3. Ouvrez la porte.
4. Appuyez sur le bouton ON/OFF (MARCHE/ARRÊT) **[1]**.

5. Appuyez sur le bouton Information **i [3]** durant 3 secondes jusqu'à ce que le message suivant soit affiché dans la fenêtre d'affichage supérieure **[4]** :

**Faites défiler avec < >**

**Choisissez avec + -**

**Quittez en appuyant sur Setup 3 sec.**

6. Maintenez le bouton **> [8]** enfoncé jusqu'à ce que la dureté de l'eau soit affichée dans la fenêtre d'affichage supérieure **[4]**.
7. Effectuez le réglage à l'aide des boutons **+ - [7]**.
8. Appuyez et maintenez le bouton Information enfoncé **i [3]** pendant 3 secondes.

Les paramètres sélectionnés ont été sauvegardés.

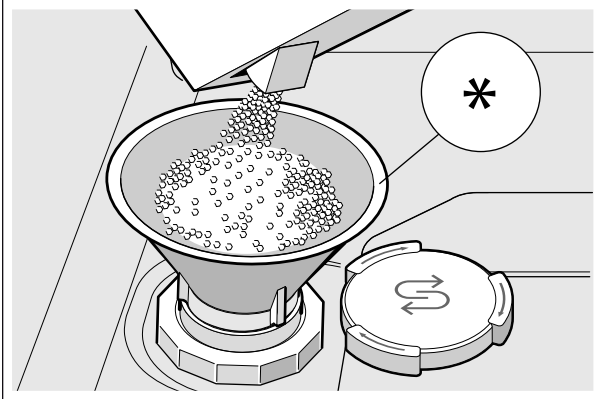
## Utilisation des sels spéciaux

Remplissez au maximum le réservoir à sels dès que l'indicateur du niveau de sels **[6]** s'allume sur l'écran. Remplissez toujours le réservoir au maximum **avant** de mettre l'appareil sous tension. Cela permet d'assurer l'évacuation immédiate du surplus d'eau salée, prévenant ainsi le risque de corrosion dans le réservoir de rinçage.

**AVIS :** Le détergent endommage le système d'adoucissement de l'eau! Ne versez jamais de détergent dans le distributeur de sels.

### Remplissez les sels comme suit :

1. Retirez le bouchon à vis du distributeur [28].
2. Remplissez le distributeur d'eau (opération requise uniquement lors de la première mise sous tension de l'appareil).
3. Ajoutez les sels tel qu'illustré (**n'utilisez pas de sel de table ou de comprimés**).  
L'eau est évacuée.



Pour en savoir plus sur l'achat de sels pour le lave-vaisselle, veuillez contacter le service à la clientèle (1-800-944-2904).

### Utilisation de détergents chargés en sels

Si vous utilisez un détergent chargé en sels, les sels spéciaux ne sont pas requis si la dureté de l'eau ne dépasse pas 375 ppm (37 °fH, 21 °dH, 26 °Clarke, 3,7 mmol/l). Si la dureté de l'eau dépasse 375 ppm, des sels doivent être utilisés.

### Éteindre l'indicateur de niveau bas de sels/le système d'adoucissement de l'eau

Si l'utilisation de détergents chargés en sels empêche le bon fonctionnement de l'indicateur du niveau de sel [6] sur le panneau de contrôle ou l'affichage du texte sur la fenêtre d'affichage supérieure [4] (suffisamment de sels pour X rinçages), il est possible de désactiver ces affichages.

Procédez tel que décrit dans « Réglage du système d'adoucissement de l'eau » et définissez la valeur entre **0 et 8**. Le système d'adoucissement de l'eau et l'indicateur de remplissage des sels sont maintenant activés.

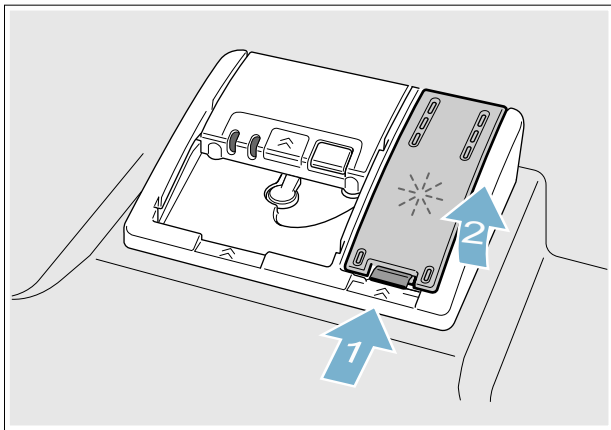
# Produit de rinçage

Dès que l'indicateur de niveau d'agent de rinçage **[5]** s'allume sur le panneau de contrôle, remplissez ce dernier immédiatement. L'agent de rinçage est nécessaire pour enlever les taches sur les ustensiles et verres. N'utilisez qu'un agent de rinçage recommandé par le constructeur comme étant sans risque pour une utilisation avec un lave-vaisselle domestique. Vous pouvez utiliser des détergents pourvus d'un agent de rinçage avec de l'eau douce ou modérément dure uniquement (0 à 2 sur une bandelette d'analyse ou jusqu'à 114,2 mg/l). Avec de l'eau modérément dure à dure (3 à 4 sur une bandelette d'analyse ou 119,91 mg/l), il faut utiliser un agent de rinçage.

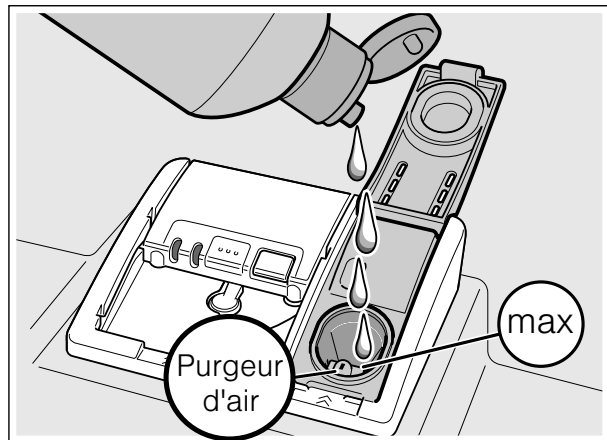
## Ajout d'agent de rinçage

**AVIS :** Pour prévenir les excès de mousse ou l'engorgement, ne remplissez pas le distributeur de produit de rinçage au-delà de sa capacité **[32]**. Essayez les débordement à l'aide d'un chiffon humide.

1. Ouvrez le distributeur de liquide de rinçage **[32]** en appuyant sur le loquet du couvercle et en tirant sur celui-ci.



2. Remplissez le distributeur **[32]** de produit de rinçage liquide jusqu'à pleine capacité. Il ne doit pas déborder. Évitez tout déversement dans le trou d'aération.



3. Fermez le couvercle. Le couvercle doit être hermétiquement fermé jusqu'à l'encliquetage du loquet, pour garantir son étanchéité.

4. Essayez tout excédent de produit de rinçage déversé lorsque le réservoir est plein.

Ceci évite la formation de mousse excessive lors du prochain cycle de lavage. Le témoin lumineux s'éteindra peu après la fermeture de la porte du lave-vaisselle.

**Conseil :** Pour verser plus facilement, retirez le couvercle de la bouteille de produit de rinçage.

**AVIS :** Ne pas remplir le distributeur de rinçage auxiliaire **[32]** avec de la lessive. Sinon, vous pourriez endommager le lave-vaisselle.

## Réglage de la quantité de produit de rinçage utilisé

La quantité d'agent de rinçage pouvant être distribuée peut être réglée sur une valeur comprise entre **0** et **6**. Choisissez **5** pour obtenir un très bon rinçage. Ne changez pas la quantité d'agent de rinçage, sauf si des traces de calcaire ou des taches d'eau demeurent sur les ustensiles. Choisissez une valeur inférieure pour éviter les traces de calcaire. Choisissez une valeur supérieure pour éviter les taches d'eau.

**Réglez la quantité d'agent de rinçage comme suit :**

1. Ouvrez la porte.
2. Appuyez sur le bouton ON/OFF (MARCHE/ARRÊT) **[1]**.
3. Appuyez sur le bouton Information **i** **[3]** durant 3 secondes jusqu'à ce que le message suivant soit affiché dans la fenêtre d'affichage supérieure **[4]** :

**Faites défiler avec < >**

**Choisissez avec + -**

**Quittez en appuyant sur Setup 3 sec.**

4. Maintenez le bouton **>** **[8]** enfoncé jusqu'à ce que le distributeur d'agent de rinçage soit affiché dans la fenêtre d'affichage supérieure **[4]**.
5. Effectuez le réglage à l'aide des boutons **+ -** **[7]**.
6. Appuyez et maintenez le bouton Information enfoncé **i** **[3]** pendant 3 secondes.

Les paramètres sélectionnés ont été sauvegardés.

**Remarque :** Ne changez pas la quantité d'agents de rinçage, sauf si des traces de calcaire (sélectionnez une valeur inférieure) ou des taches d'eau (sélectionnez une valeur supérieure) demeurent sur les ustensiles.



## Éteindre l'indicateur d'agent de remplissage de rinçage

Si l'utilisation de détergents pourvus d'agent de rinçage empêche le bon fonctionnement de l'indicateur de niveau d'agent de rinçage bas  sur le panneau de contrôle ou l'affichage du texte sur la fenêtre d'affichage supérieure (suffisamment d'agent de rinçage pour X rinçages), il est possible de désactiver ces affichages. Procédez comme décrit dans « Réglage de la quantité d'agents de rinçage » et sélectionnez **0**.

**AVIS :** En utilisant aucun produit de rinçage ou le réglage du distributeur à **0** peut conduire à des durées de cycle plus longues, ce qui consommera plus d'énergie et plus d'eau. Les températures plus élevées peuvent endommager la porcelaine fine ou la verrerie.

# Chargement du lave-vaisselle

## Matériaux lavables au lave-vaisselle

**Remarque :** Avant la première utilisation de votre lave-vaisselle, vérifiez les informations énoncées dans la présente rubrique. Certains objets ne peuvent pas être lavés au lave-vaisselle et doivent l'être à la main ; d'autres doivent être chargés de manière spéciale.

Recommandé	Précaution
Aluminium	L'aluminium anodisé et coloré peut se décolorer au fil du temps. Les minéraux présents dans l'eau peuvent ternir ou tacher l'aluminium. En général, ils sont éliminés à l'aide d'un tampon en laine d'acier imbibé de savon.
Porcelaine, cristal, grès	Certains ustensiles peints à la main peuvent se décolorer ou se tacher. Lavez ces ustensiles à la main. Positionnez la verrerie fragile de manière à ce qu'elle ne bascule pas ou n'entre pas en contact avec d'autres ustensiles au cours du cycle de nettoyage.
Verre	Assurez-vous d'utiliser du verre lavable au lave-vaisselle. Le verre de lait peut se décolorer ou jaunir.
Revêtements anti-adhésifs	Appliquez une légère couche d'huile végétale aux surfaces anti-adhésives après séchage.
Plastiques	Assurez-vous que les articles plastiques sont lavables au lave-vaisselle.
Acier inoxydable, argent sterling et métal argenté	Chargez ces objets de manière à ce qu'ils n'entrent pas en contact avec d'autres métaux, les parois de la cuve du lave-vaisselle en acier inoxydable ou la porte intérieure.

Non Recommandé	Raison
Acrylique	Des craques ou de petites fissures peuvent survenir sur l'acrylique.
Pièces assemblées par un adhésif	Les adhésifs permettant d'assembler des matériaux comme le plastique, le bois, l'os, l'acier, le cuivre, l'étain, etc. peuvent perdre en adhérence.
Ustensiles à poignée en os	Les poignées peuvent se séparer.
Fer	Le fer va rouiller. Lavez à la main et séchez immédiatement.

Non Recommandé	Raison
Articles autres que la vaisselle	Votre lave-vaisselle est destiné au nettoyage de vaisselle et d'articles de cuisine standards UNIQUEMENT.
Potin, laiton, bronze	Ces articles terniront. Lavez à la main et séchez immédiatement.

## Chargement des paniers

Pour obtenir les meilleurs résultats, respectez les instructions suivantes lors du chargement de la vaisselle :

- Les articles avec de légères incrustations de résidus alimentaires ne doivent pas être pré-lavés.
- Retirez toutes les particules d'aliments, os, cure-dents et excès de graisse.
- Pré-lavez les articles souillés par les matières brûlées, cuites ou féculentes.
- Chargez les plats dans les paniers du lave-vaisselle de telle sorte que les parois internes des bols, chaudrons et casseroles font face aux bras gicleurs.
- Évitez l'emboîtement et les points de contact entre les plats.
- Séparez les objets à base de métaux différents. Veillez à ne pas bloquer les bras gicleurs.
- Lavez uniquement la vaisselle et les articles de cuisine indiqués comme lavables au lave-vaisselle. Reportez-vous à la rubrique Matériaux lavables au lave-vaisselle pour plus d'informations sur la vaisselle adaptée.

**AVIS :** Afin de ne pas endommager le lave-vaisselle, n'y chargez pas des objets en papier, des sacs en plastique, des matériaux d'emballage ou tout article autre qu'un article normal, de la vaisselle ou des ustensiles de cuisine lavables au lave-vaisselle.

## Chargement du panier supérieur

Assurez-vous que les articles ne dépassent le fond des paniers et ne bloquent les bras gicleurs.

**Remarque :** Lors de l'insertion du panier supérieur [22] dans le lave-vaisselle, poussez-le jusqu'à ce qu'il bute contre la paroi arrière du bac à laver. Ainsi, le bras gicleur du panier supérieur [23] se connecte à l'alimentation en eau à l'arrière du bac à laver. Ne poussez pas les paniers à l'aide de la porte.

## Chargement du panier inférieur

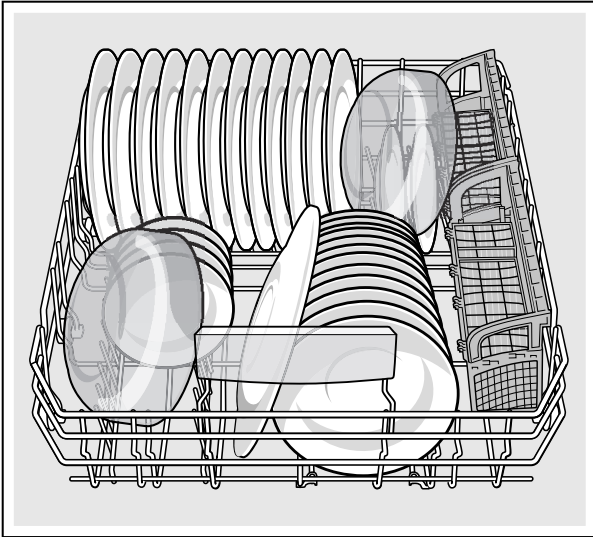
Placez les objets volumineux dans le panier inférieurs [31]. Chargez les chaudrons, casseroles et bols à l'envers. Ne bloquez pas les trous de ventilation [25] avec de grandes plaques à pâtisserie. Chargez ces objets du côté droit du lave-vaisselle.

## Autres profils de chargement

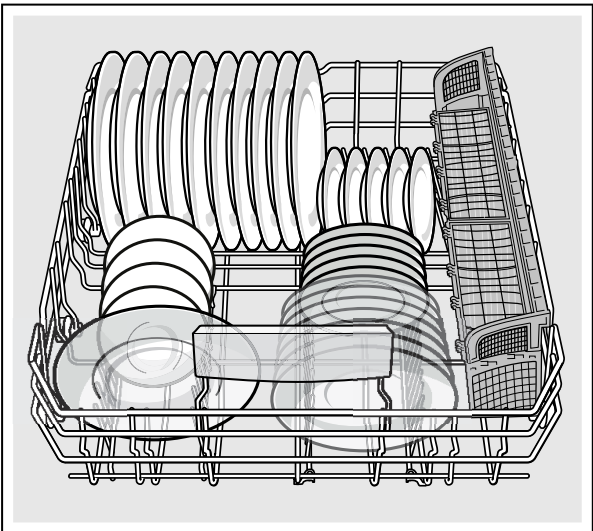
Pour un usage quotidien, régulier ou normal

### Chargement du panier inférieur

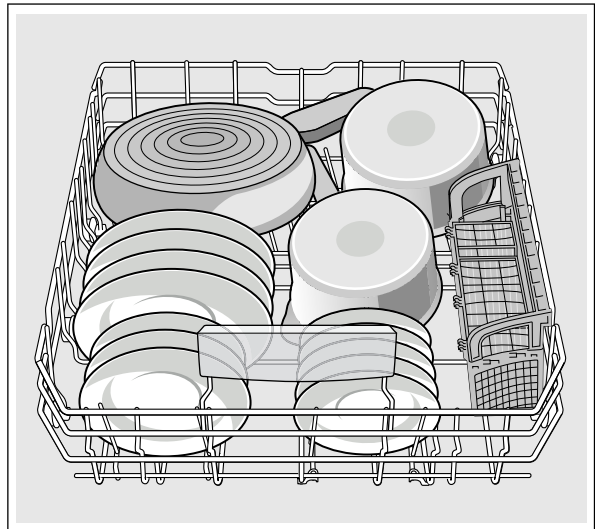
Placement recommandé en configuration 12 places



### Autre configuration

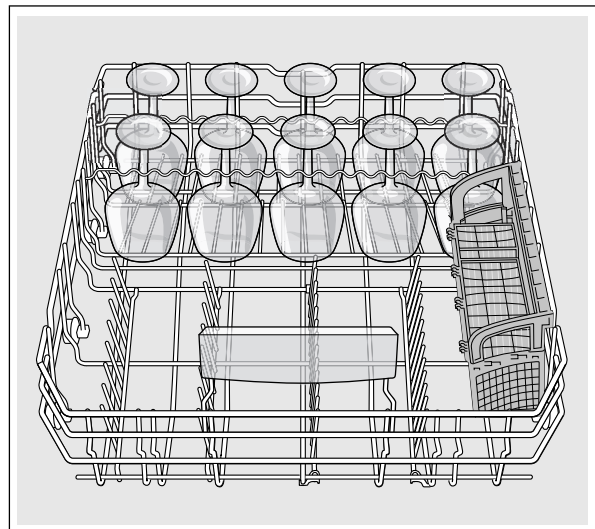


### Autre profil de chargement avec chaudrons et casseroles



Pour de meilleurs résultats, mettez la vaisselle volumineuse face vers le bas dans le panier inférieur.

### Autre configuration avec verres à vin \*

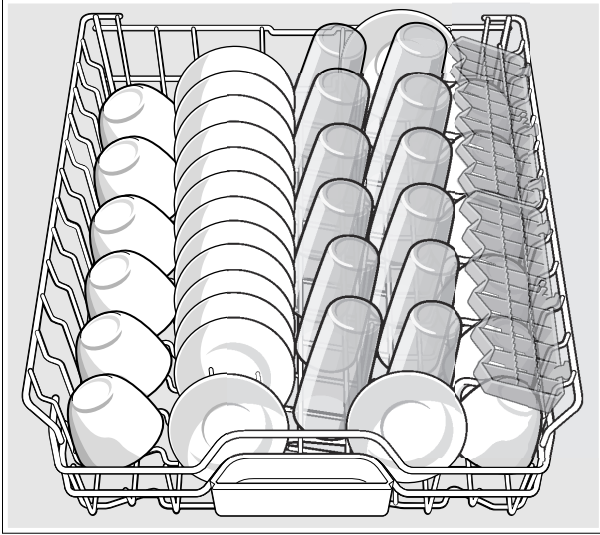


Rabattez les supports à verres à vin dans le panier inférieur pour les charger tel qu'illustré.

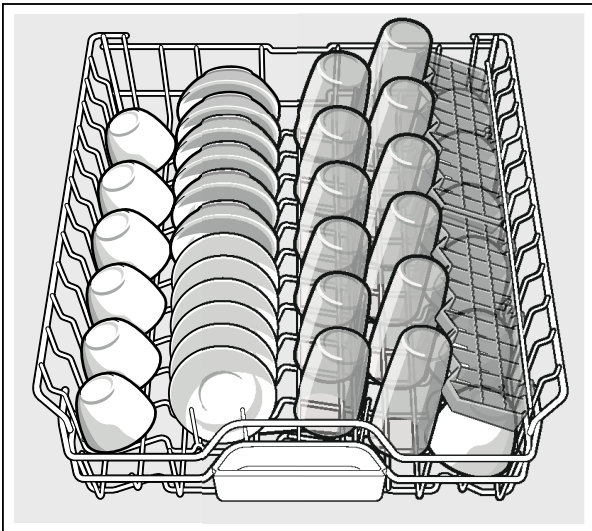
\* option facultative qui peut être ou ne pas être incluse avec votre lave-vaisselle.

## Chargement du panier supérieur

Placement recommandé en configuration 12 places  
avec tiroir d'ustensiles



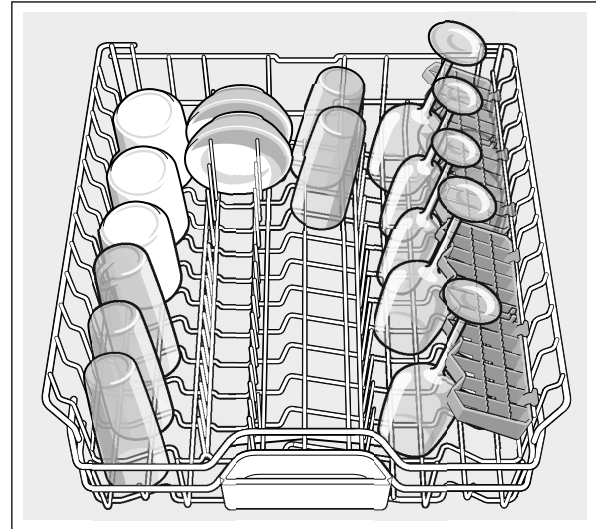
Placement recommandé en configuration 12 places  
avec le panier à soirées



## Autre configuration



## Autre profil de chargement avec verres à vin

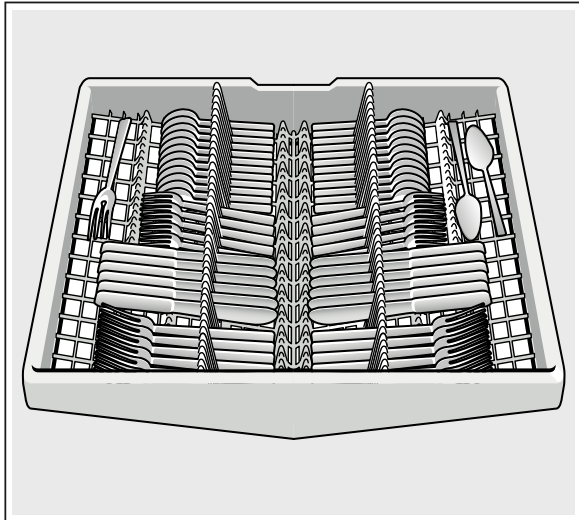


Utilisez des supports pour charger les verres à vin dans  
le panier supérieur.

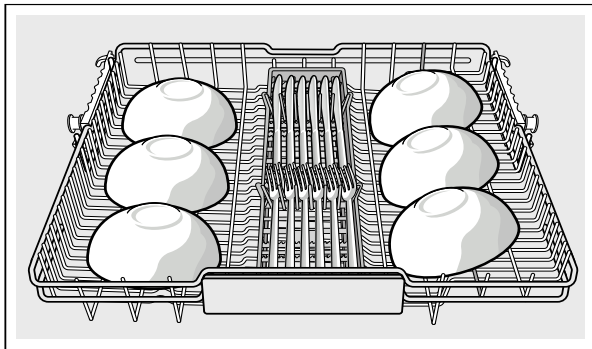
\* option facultative qui peut être ou ne pas être incluse  
avec votre lave-vaisselle.

## Chargement du troisième supérieur

### Placement recommandé en configuration 12 places \*



### Troisième panier [21]



\* option facultative qui peut être ou ne pas être incluse avec votre lave-vaisselle.

## Chargement du panier à ustensiles

Les couteaux et ustensiles tranchants doivent être placés avec les poignées en haut, les cuillères et fourchettes avec les poignées en bas. Si des objets volumineux ou aux formes irrégulières sont chargés dans le panier à ustensiles, veillez à ce qu'ils ne s'entassent pas.

### ▲ AVERTISSEMENT

#### RISQUE DE BLESSURES

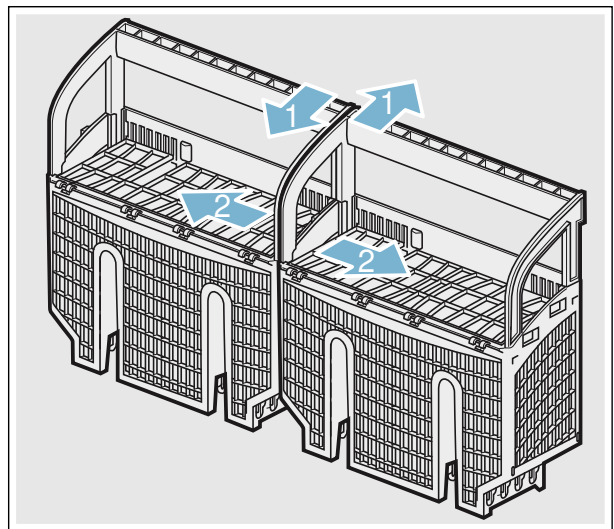
Les points et bords tranchants des couteaux et autres ustensiles coupants peuvent causer des blessures graves. Lors du chargement, les pointes des couteaux et autres ustensiles tranchants doivent être tournés vers le bas. Les enfants ne doivent pas utiliser ou jouer près des couteaux et ustensiles tranchants.

## Le panier à ustensiles Double Flex

Ce panier est séparé sur sa longueur en deux moitiés pouvant être placées dans plusieurs positions dans le panier inférieur [31], augmentant considérablement la flexibilité de chargement du panier inférieur. Les deux moitiés du panier s'emboîtent soit côte à côte soit dos à dos.

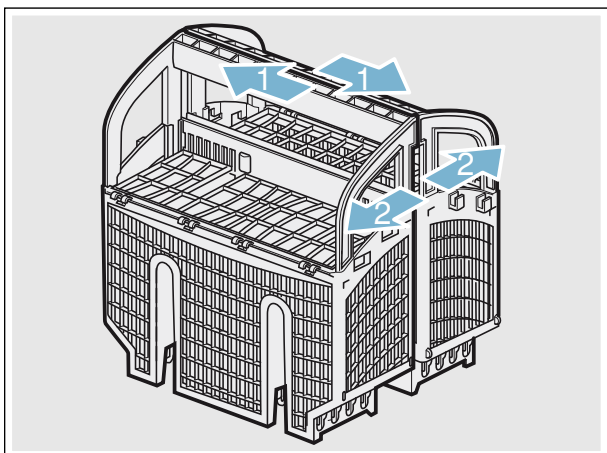
Pour diviser le panier à ustensiles Double Flex : saisissez le panier et faites coulisser les deux moitiés en sens opposés, puis séparez-les.

### Côte à côte



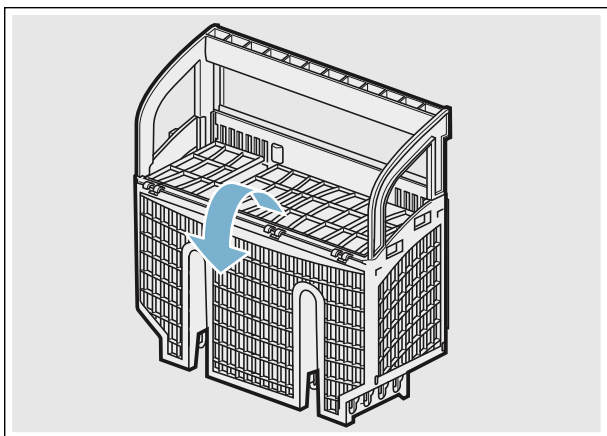


## Dos à dos

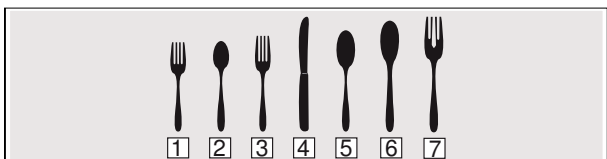


Pour assembler le panier à ustensiles Double Flex : Tenez les deux moitiés côte à côte ou dos à dos, de manière à ce que la cheville de l'un des paniers puisse glisser dans l'encoche de l'autre panier. Poussez les deux moitiés en sens opposé jusqu'à ce qu'elles s'encliquettent.

**Remarque :** Le couvercle du panier à ustensiles peut également être rabattu afin de laisser le panier ouvert.

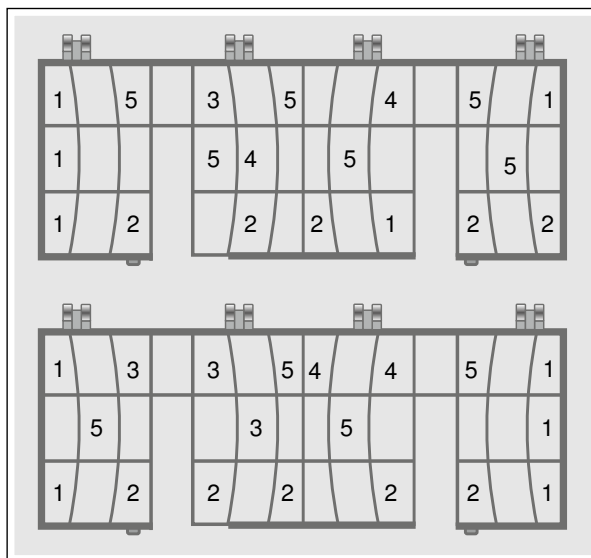


## Chargement du panier d'argenterie

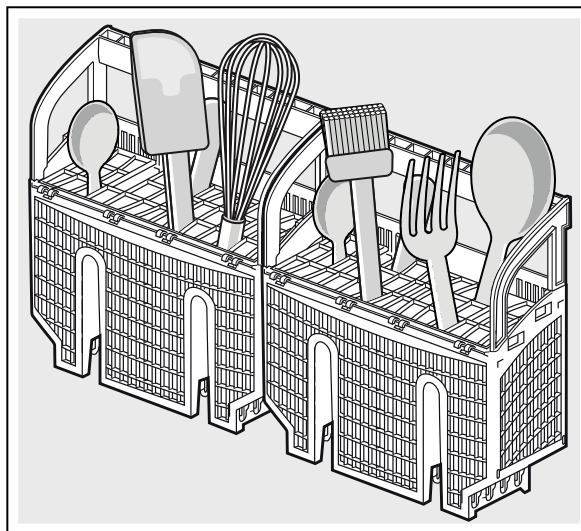


- 1 Fourchette à salade
- 2 Cuillère à thé
- 3 Fourchette de table
- 4 Couteau
- 5 Cuillère à soupe
- 6 Cuillère à servir
- 7 Fourchette à servir

## Placement recommandé en configuration 12 places avec le panier à soirées



## Autre configuration



## Retrait de la vaisselle

### ⚠ ATTENTION

La vaisselle peut être brûlante immédiatement après un cycle. Ouvrez la porte légèrement et laissez la vaisselle se refroidir quelques minutes avant de la retirer.

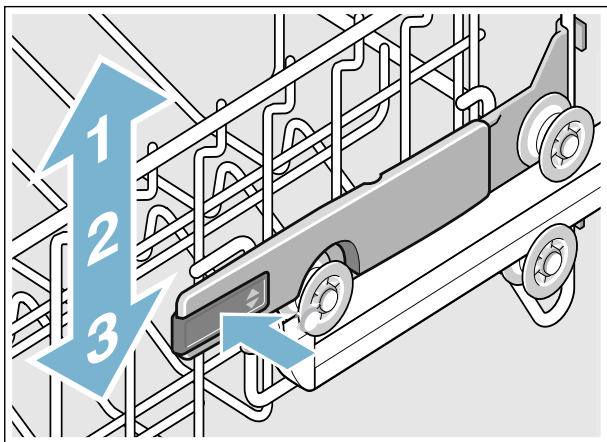
**Remarque :** Les plats sont plus susceptibles de s'ébrécher lorsqu'ils sont déchargés avant d'être refroidis.

Lors du retrait de la vaisselle, pour éviter que l'eau ne coule sur les plats secs, videz d'abord le panier inférieur [31]. Ensuite, déchargez le panier à ustensiles [30] suivi du panier supérieur [22], puis le troisième panier (s'il y a lieu).

## RackMatic®

La hauteur du panier supérieur [22] peut être ajustée à 3 niveaux afin de créer plus d'espace.

1. Faites sortir le panier supérieur du lave-vaisselle jusqu'à la butée.
2. Pour abaisser le panier, poussez le levier RackMatic® lever vers l'intérieur.
3. Pour relever le panier, tenez les côtés du panier supérieur et soulevez-le.



**Remarque :** Vérifiez que le bras gicleur n'est pas bloqué après réglage.

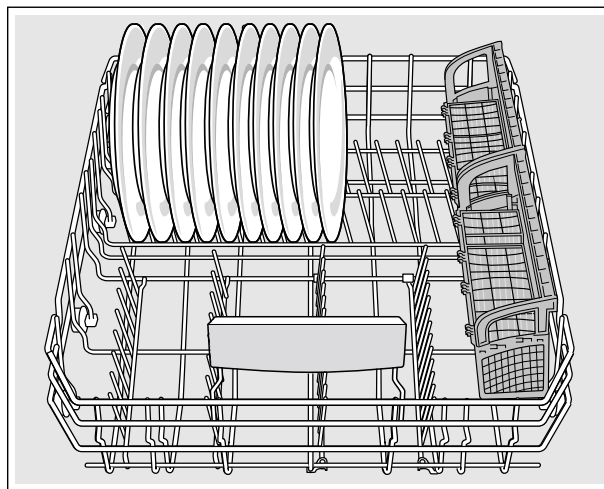
## Réglage de la hauteur du panier\*

Au besoin, la hauteur du panier supérieur [22] peut être ajustée pour libérer plus d'espace pour les ustensiles de grande taille, dans le panier supérieur comme inférieur.

Avec le panier à ustensiles	Panier supérieur	Panier inférieur
Configuration 1 ø max.	24 cm (9,4 po)	34 cm (13,4 po)
Configuration 2 ø max.	26,5 cm (10,4 po)	30,5 cm (12 po)
Configuration 3 ø max.	29 cm (11,4 po)	28 cm (11 po)

Avec le troisième panier	Panier supérieur	Panier inférieur
Configuration 1 ø max.	18 cm (7 po)	34 cm (13,4 po)
Configuration 2 ø max.	20,5 cm (8 po)	30,5 cm (12 po)
Configuration 3 ø max.	23 cm (9 po)	28 cm (11 po)

Disposez les grosses assiettes d'un diamètre maximal de 34 cm (13,4 po) dans le panier inférieur [31] tel qu'illustré.



\* option facultative qui peut être ou ne pas être incluse avec votre lave-vaisselle.

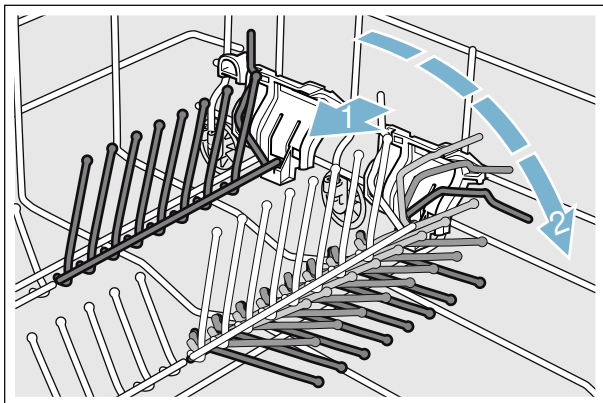
## Accessoires de panier

### Dents rabattables

Selon les caractéristiques de votre lave-vaisselle, les dents peuvent être rabattues. Ceci facilite la disposition des chaudrons, des bols et des verres.

#### Rabattez les dents comme suit :

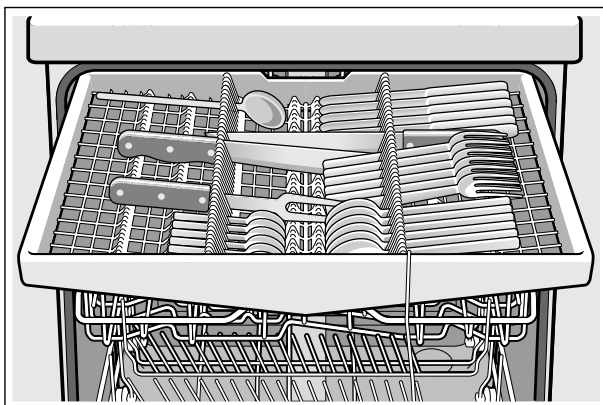
1. Tirez légèrement la dent rabattable vers vous et libérez-la de son encoche (1).
2. Poussez la dent rabattable vers le bas à la position désirée (2).



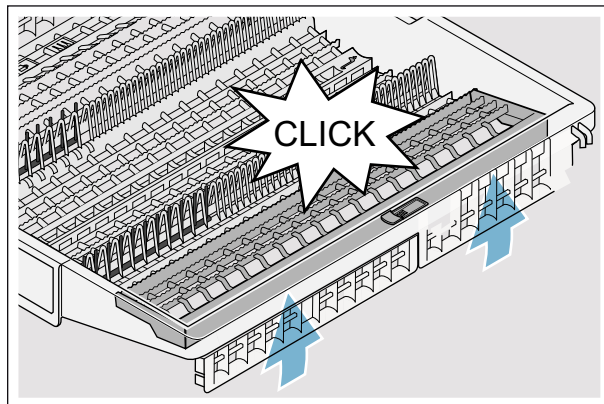
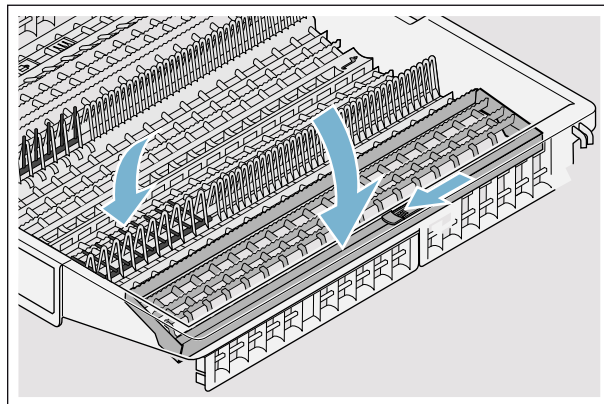
Pour les élever, poussez les peignes rabattables dans une position verticale jusqu'à ce que le support s'encliquette dans l'encoche.

### 3ème panier\*

Le 3ème panier permet de placer horizontalement les couteaux, spatules et autres outils de grande taille pour un meilleur nettoyage et un chargement et déchargement faciles. Disposez la couellerie dans le 3ème panier tel qu'illustré.



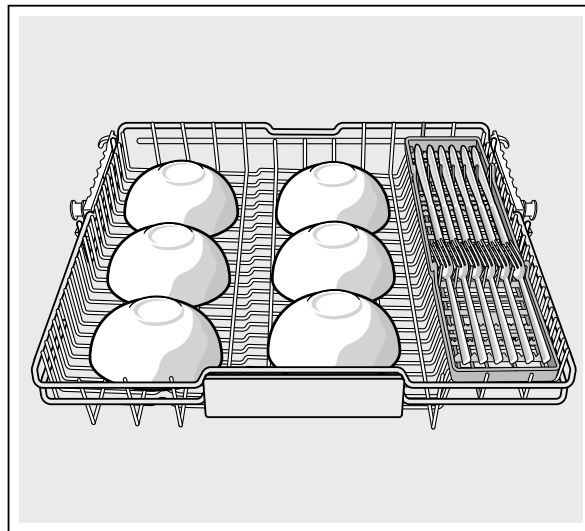
En fonction des caractéristiques de votre lave-vaisselle, vous pouvez replier les étagères latérales pour libérer de l'espace pour les articles d'argenterie de taille plus imposante. Les rangées de séparateurs à l'avant peuvent être repliées afin de libérer de l'espace pour les poignées plus larges.



\* option facultative qui peut être ou ne pas être incluse avec votre lave-vaisselle.

### Panier à soirées \* [21]

Le troisième panier est l'idéal pour faciliter le nettoyage, le chargement et le déchargement de petits bols, de spatules et d'autres ustensiles surdimensionnés. Disposez les ustensiles dans le panier amovible prévu à cet effet.

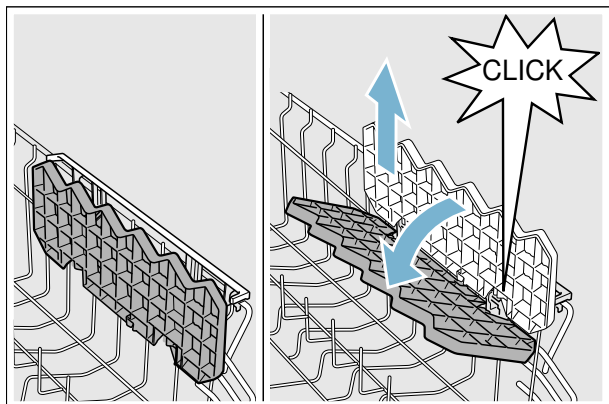


\* option facultative qui peut être ou ne pas être incluse avec votre lave-vaisselle.



## Étagère pour tasses

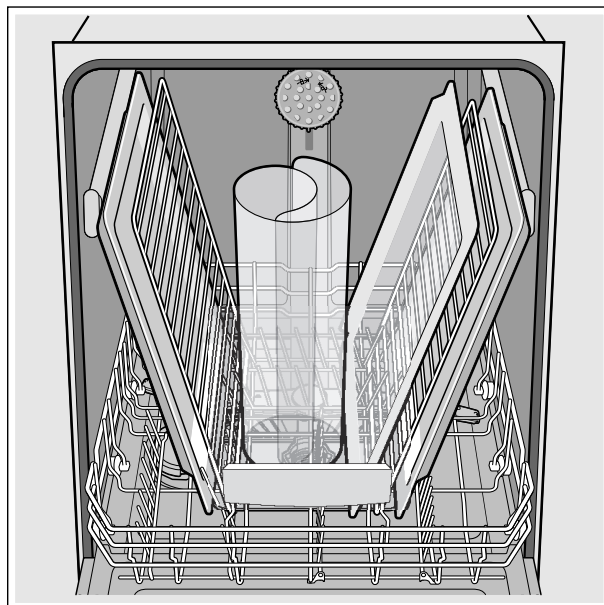
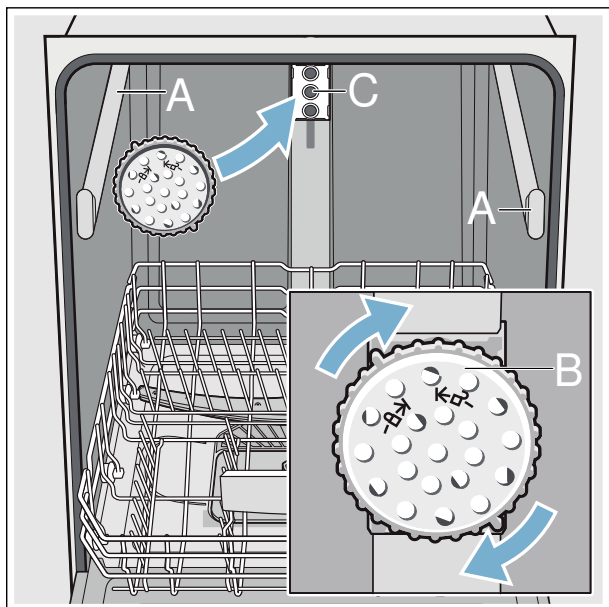
Les étagères pour tasses et l'espace en dessous peuvent être utilisés pour les petites tasses ou pour des ustensiles plus larges.



## Gicleur pour objets extra hauts

Si un article est trop grand pour pouvoir être placé dans le panier inférieur, [31] même lorsque le panier supérieur [22] est relevé, retirez le panier supérieur vide [22] en l'extrayant du lave-vaisselle jusqu'à la butée. Tirez la partie avant du panier vers le haut et vers l'extérieur jusqu'à ce que le panier ne puisse plus sortir sur sa glissière. Puis soulevez-le et sortez-le du lave-vaisselle, jusqu'à ce que les galets soient totalement sortis des guidages de galets(A).

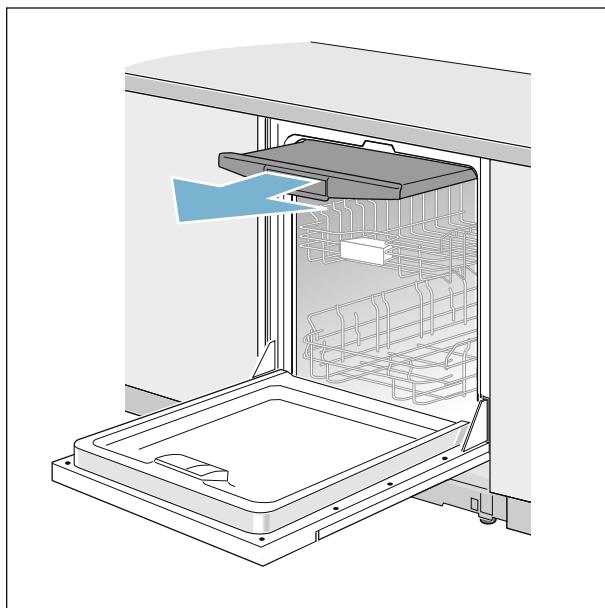
Mettez le panier supérieur [22] de côté et remettez les guidages de galets (A) dans le lave-vaisselle. Placez le gicleur pour objets extra hauts (B) dans l'orifice de pulvérisation du panier supérieur (C) et tournez le gicleur dans le sens horaire pour le fixer.



## Remarques

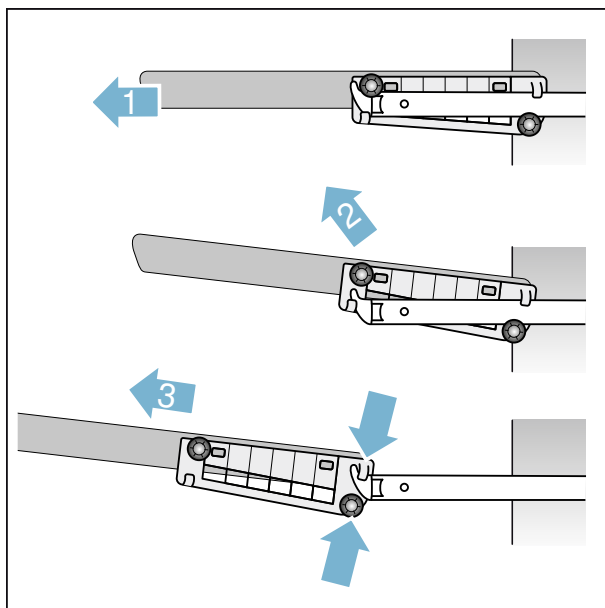
- L'orifice de ventilation [25] sur le côté gauche de la cuve à détergent doit être libre et pour cela, les articles de grande taille comme les planches à découper en plastique et les grandes plaques à pâtisserie doivent être placés au centre ou sur le côté droit du panier inférieur.
- Pour éviter d'endommager le lave-vaisselle, ne remontez pas le panier supérieur [22] sans avoir retiré le gicleur pour objets extra hauts (B).

## Retirer/installer le troisième panier



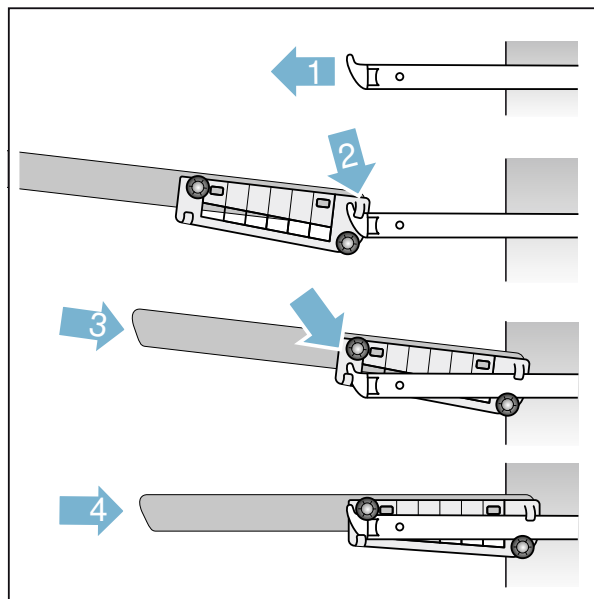
### Retirer le troisième panier [21]

1. Sortez le troisième panier jusqu'au bout (1).
2. Soulevez les galets supérieurs au-dessus des crochets de butée des deux glissières (2).
3. Sortez le troisième panier vers l'avant et vers le haut, de sorte que les coins de retenue et les galets inférieurs du panier passent au-dessus des crochets de butée des deux glissières (3).

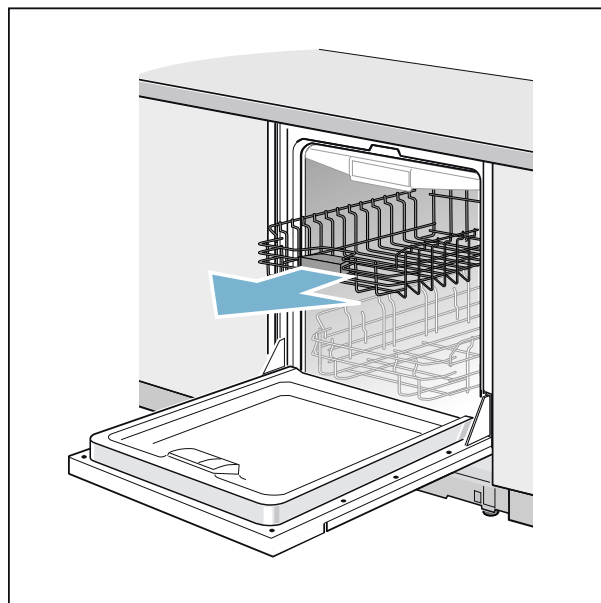


### Installer le troisième panier [21]

1. Sortez les glissières du troisième panier jusqu'au bout (1).
2. Insérez le troisième panier incliné. Assurez-vous que les crochets de butée des deux glissières coulisent entre les coins de retenue et les galets inférieurs du troisième panier (2).
3. Glissez le troisième panier à l'intérieur et soulevez les galets supérieurs au-dessus des crochets de butée avant des deux glissières (3).
4. Insérez le troisième panier en le poussant (4).

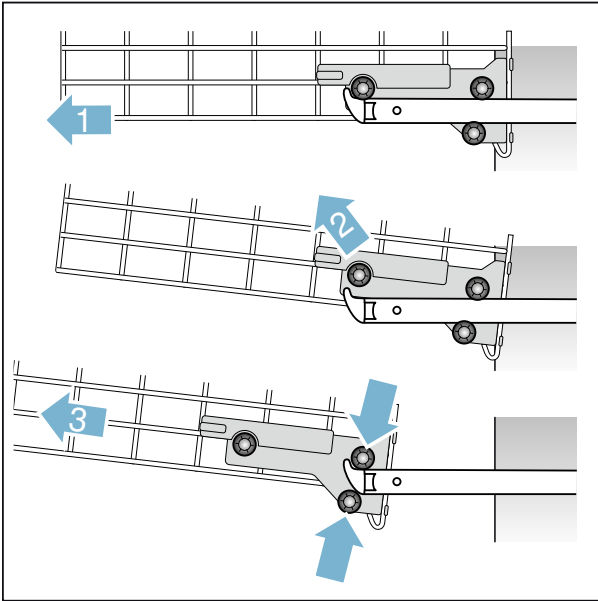


## Retirer/installer le panier supérieur avec Rackmatic®



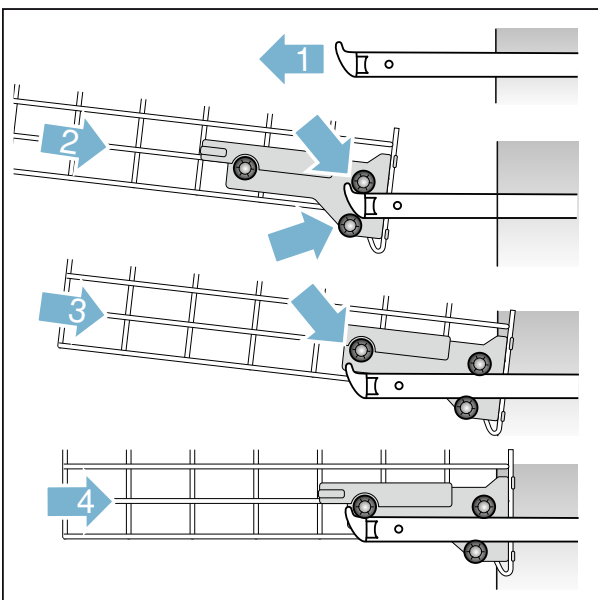
## Retirer le panier supérieur 22

1. Sortez le panier supérieur jusqu'au bout (1).
2. Soulevez les galets avant sur le crochet de butée de la glissière (2).
3. Sortez le panier supérieur vers l'avant et vers le haut, de sorte que les galets supérieurs et inférieurs du panier coulassent au-dessus des crochets de butée des deux glissières (3).



## Installer le panier supérieur 22

1. Sortez les glissières du panier supérieur jusqu'au bout (1).
2. Insérez le panier supérieur incliné. Assurez-vous que les crochets de butée des deux glissières coulassent entre les galets supérieurs et inférieurs sur le côté arrière du panier (2).
3. Glissez le panier supérieur à l'intérieur et soulevez les galets supérieurs au-dessus des crochets de butée avant des deux glissières (3).
4. Insérez le panier supérieur en le poussant (4).



# Détergent

Utilisez uniquement un détergent spécialement conçu pour les lave-vaisselle. Pour de meilleurs résultats, utilisez un détergent pour lave-vaisselle en poudre ou des comprimés détergents.

## **AVIS :** Pour éviter d'endommager le lave-vaisselle :

- évitez d'utiliser des détergents pour vaisselle à la main dans votre lave-vaisselle.
- N'utilisez pas trop de détergent si l'eau utilisée est douce. L'utilisation d'une quantité excessive de détergent avec une eau douce peut rayer la verrerie et la porcelaine fine.
- Pour mieux protéger le verre, utilisez un cycle de nettoyage avec une température peu élevée ou un cycle conçu spécifiquement pour le verre (selon le modèle) et utilisez un détergent avec une protection contre les marquages.

Ce lave-vaisselle nécessite moins d'eau que les autres, et par conséquent, moins de détergent. Avec de l'eau froide, 1 cuillère à soupe (15 ml) de détergent suffira pour le nettoyage. Le distributeur de détergent dispose de traits de graduation correspondant à 1 cuillère à soupe (15 ml) et 1,75 cuillères à soupe (25 ml). 3 cuillères à soupe (45 ml) de détergent rempliront complètement le distributeur de détergent.

**Remarque :** Si vous ignorez la dureté de votre eau, utilisez 15 ml de détergent. Si nécessaire, ajoutez la quantité minimale nécessaire au nettoyage impeccable de vos ustensiles de cuisine.

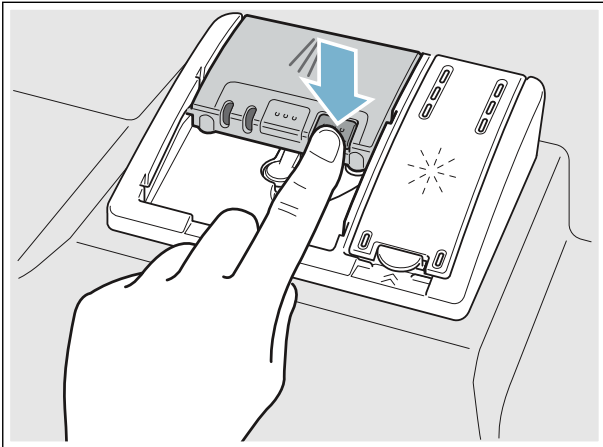
Servez-vous des lignes de référence du distributeur de détergent comme aide à la mesure de la quantité de détergent recommandée dans le tableau suivant.

<b>Cycle de nettoyage</b>	<b>Eau dure/ Souillure importante</b>	<b>Moyenne Eau/ Souillure moyenne</b>	<b>Eau douce/ Souillure légère/</b>
Pots & Pans (Chaudrons et casseroles)	3 c. à soupe (45 ml)	3 c. à soupe (45 ml)	1,75-3 c. à soupe (25-45 ml)
Auto	3 c. à soupe (25-45 ml)	1,75-3 c. à soupe (25-45 ml)	1-1,75 c. à soupe (15-25 ml)
Normal	1,75-3 c. à soupe (25-45 ml)	1,75 c. à soupe (25 ml)	1-1,75 c. à soupe (15-25 ml)
Verre	1,5-2,75 c. à soupe (22-40 ml)	1,35 - 1,75 c. à soupe (20-25 ml)	1-1,5 c. à soupe (15-22 ml)
1 Hour (1 heure)	1,75-3 c. à soupe (25-45 ml)	1,75 c. à soupe (25 ml)	1-1,75 c. à soupe (15-25 ml)
Quick (Rapide)	1,75 c. à soupe (25 ml)	1-1,75 c. à soupe (15-25 ml)	1 c. à soupe (15 ml)
Rinse (Rin- çage)	aucun	aucun	aucun

## Ajout de détergent

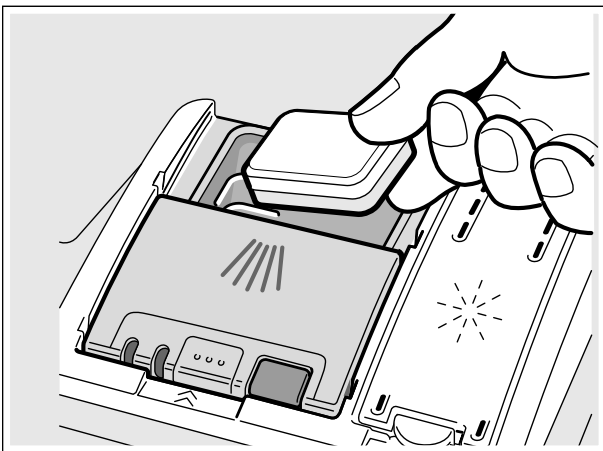
1. Si le distributeur de détergent [33] demeure fermé, appuyez sur le bouton [34] pour l'ouvrir.

**Remarque :** Assurez-vous que le distributeur de détergent est sec avant d'ajouter du détergent.

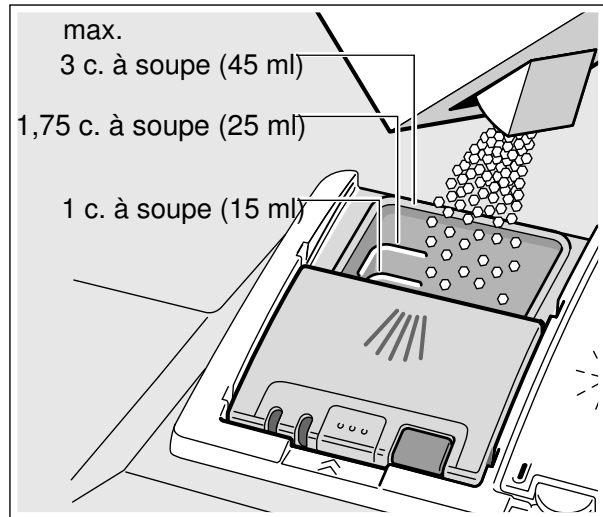


2. En cas d'utilisation de comprimés détergents, placez-les de telle sorte qu'ils n'entrent pas en contact avec le couvercle. Insérez-les à plat et non sur le côté.

**Remarque :** Ne placez pas les comprimés détergents dans le compartiment à détergent [24]. Placez les comprimés ou d'autres formes de détergent directement dans le distributeur de détergent [33].

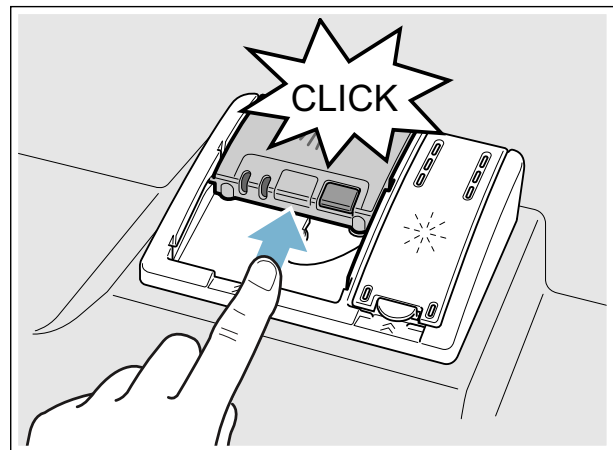


Si vous utilisez du détergent, versez-le uniquement dans le distributeur de détergent sec [33]. Le distributeur de détergent ne doit pas déborder.



Dosage : voir les instructions du fabricant sur l'emballage.

3. Fermez le couvercle en plaçant le doigt sur le couvercle tel qu'illustré. Faites glisser le couvercle pour fermer et appuyez dessus fermement jusqu'à entendre un clic.



Le distributeur de détergent s'ouvrira automatiquement au moment approprié pour le cycle défini. Le détergent liquide ou en poudre est dispersé dans l'appareil et dissout, les comprimés détergents tombent dans le compartiment à détergent [24] où ils se dissolvent tout au long du cycle.

**Conseil :** Si les ustensiles sont peu souillés, une quantité de détergent légèrement inférieure à celle recommandée est suffisante.

# Cycles du lave-vaisselle

**Remarque :** Afin d'économiser de l'énergie, il est recommandé de régler l'option **Auto Power Off** sur « after one minute » (Après 1 minute).

Cycle de nettoyage	Usage recommandé	Option du cycle de nettoyage possible
<b>Pots &amp; Pans (Chaudrons et casseroles) *</b>	Idéal pour le nettoyage d'ustensiles salis par les aliments cuits ou la graisse. Ils nécessitent généralement un temps de trempage.	tout
<b>Auto*</b>	Le cycle le plus intelligent, avec la détection de salissure la plus souple, idéal pour la vaisselle mélangée et souillée par les aliments.	tout
<b>Normal*</b> (voir la note au bas du tableau)	Recommandé pour une utilisation quotidienne, régulière ou typique pour le lavage complet d'un chargement plein de vaisselle à souillure normale.	tout <b>Remarque :</b> Pour obtenir un rendement optimal avec une consommation minimale d'énergie, il est recommandé de désactiver toutes les options et tous les réglages disponibles à l'exception de l'option <b>Auto Power Off</b> - réglée à "after one minute" (Après 1 minute).
<b>Glass (Verre)</b>	Parfait pour les verres à vin, les verres normaux et autre vaisselle fragile. Ce cycle utilise une température plus faible afin de protéger la vaisselle. Pour de meilleurs résultats, utilisez moins de détergent et ne mélangez pas les détergents en poudre et liquides.	tous sauf Sanitize (Désinfection)
<b>1 Hour (1 heure)</b>	Permet de nettoyer les plats légèrement encrassés et de réduire le temps total de nettoyage à 1h.	<b>Delay (Retardé)</b>
<b>Quick (Rapide)</b>	Permet de nettoyer les plats légèrement encrassés et de réduire le temps total de nettoyage à 30/35 minutes.	<b>Delay (Retardé)</b>
<b>Rinse (Rinçage)</b>	Utilisez ce cycle si vous désirez faire un rinçage préalable de vos plats afin d'éviter des odeurs. Placez les plats non rincés dans le lave-vaisselle et sélectionnez le cycle <b>Rinse</b> (Rinçage). Utilisez moins d'eau qu'un lavage manuel et consomme peu d'énergie.	<b>Delay (Retardé)</b>

\*Ce cycle est désinfecté avec l'option Sanitize (Désinfection).

**Remarque :** L'étiquetage Energy Guide se base sur le cycle de détection du niveau de saleté **Normal** comme suit : l'unité a été testée avec un distributeur de produit de rinçage (liquide) vide [32]. Une seule dose de détergent a été introduite dans le distributeur de détergent [33], aucun détergent n'étant utilisé dans le cycle de pré-lavage. L'appareil n'a pas été soumis à un processus d'essai tronqué aux termes des définitions

décrites dans la procédure d'essai. Nous recommandons, pour les chargements de vaisselle tel que celui décrit dans le test de certification en matière de performance énergétique, que le panier soit placé à la position la plus élevée.

---

# Options de cycles du lave-vaisselle

## PowerBoost®

Idéal pour un chargement mixte. Vous pouvez nettoyer les chaudrons et les poêles fortement souillés dans le panier inférieur avec des ustensiles souillés normalement dans le panier supérieur. La pression du jet dans le panier inférieur est augmentée et la température de séchage est légèrement plus élevée.

## Save Time (Économie de temps)

L'option Save Time (Économie de temps) vous permet de sauver du temps sans que les performances de lavage et de séchage ne soient influencées. La sélection de cette option permet de garder les mêmes températures finales que le cycle sous-jacent, réchauffant les plats plus rapidement. La sélection de cette option permet également d'améliorer les performances énergétiques tout en réduisant le temps du cycle.

## Half Load (chargement partiel)

Peut réduire la consommation d'eau lors du nettoyage de petites vaisselles légèrement souillées, remplissant pratiquement à moitié (ou moins) la capacité du lave-vaisselle.

## Sanitize (Désinfecter)

Cette fonction augmente les températures et les maintient pendant une durée prolongée afin d'obtenir des performances d'assainissement prédéfinies. L'utilisation continue de cette fonction améliore l'état d'hygiène. Cette option supplémentaire est idéale pour le lavage d'articles tels que des planches à découper et des biberons.

« Sanitized » (Désinfecté) apparaîtra à l'écran une fois les critères de désinfection remplis. Cette option peut également améliorer le séchage. Elle fait aussi augmenter légèrement la consommation d'énergie.

## StarDry™

Star Dry avec Zeolite est une solution de séchage exclusive à Thermador qui saura répondre à tous vos besoins en matière de vaisselle.

## Informations sur le cycle de lavage

Pour économiser de l'énergie, ce lave-vaisselle dispose d'un système EcoSense dans lequel les capteurs du lave-vaisselle ajustent automatiquement les variations de longueur, de température et d'eau du cycle en fonction du niveau de souillure alimentaire et de la température de l'eau entrante. Les décisions prises par le « Contrôle

intelligent » peuvent causer un ajustement intermittent du temps et de l'eau utilisée pour le cycle. **Les temps du cycle de lavage sont définis en fonction température d'alimentation en eau de 120°F (49° C).** Si la température d'alimentation en eau de votre maison est autre que 120°F (49° C), les temps de cycle de votre lave-vaisselle peuvent être affectés.

	<b>Pots &amp; Pans (Chaudrons et casseroles)</b>	<b>AUTO</b>	<b>Glass (nettoyage de verre)</b>	<b>Normal</b>	<b>1-Hour (1 heure)</b>	<b>Quick (Rapide)</b>	<b>Rinse (Rinçage)</b>
Temps de cycle en min.	110-135	105-129	75-85	130-135	60	30	9
Consom. d'eau en L (gal)	18,6-24,2 (4,9-6,4)	12,9-24,1 (3,4-6,4)	9-14,6 (2,4-3,9)	8,8-21 (2,3-5,5)	(14,3 3,8)	10,5 (2,8)	4,1 (1,1)
Temp. de nettoyage en °C (°F)	151-160 (66-71)	127-140 (53-60)	113-122 (45-50)	113-136 (45-58)	122 (50)	113 (45)	entrant
Temp. de rinçage en °F (°C)	151 (66)	136 (58)	122 (50)	136 (58)	158 (70)	124 (51)	entrant
<b>PowerBoost®</b>							
Temps de cycle en min.	125-150	120-145	90-100	145-150	S/O	S/O	S/O
Consom. d'eau en L (gal)	16,6-24,2 (4,9-6,4)	13,3-24,1 (3,5-6,4)	9-14,6(2,4-3,9)	8,8-21 (2,2-5,4)	S/O	S/O	S/O
Temp. de rinçage en °F (°C)	151 (66)	136 (58)	122 (50)	136 (48)	S/O	S/O	S/O
<b>Save Time (Économie de temps)</b>							
Temps de cycle en min.	100-120	90-105	70-80	95-105	S/O	S/O	S/O
Consom. d'eau en L (gal)	16,3-20,5 (4,3-5,4)	16,1-20 (4,3-5,3)	9,2-12,5 (2,4-3,3)	16,6-21,1 (4,4-5,6)	S/O	S/O	S/O
Temp. de rinçage en °F (°C)	162 (72)	153-162 (67-72)	145(63)	162 (72)	S/O	S/O	S/O
<b>Half Load (chargement partiel)</b>							
Temps de cycle en min.	114	95-105	70-80	100-105	S/O	S/O	S/O
Consom. d'eau en L (gal)	17,9 (4,7)	10,2-16,5 (2,7-4,4)	9-12,6(2,4-3,3)	10,8-13,9 (2,9-3,7)	S/O	S/O	S/O
Temp. de rinçage en °F (°C)	151 (66)	136 (58)	122 (50)	136 (58)	S/O	S/O	S/O



	<b>Pots &amp; Pans (Chaudrons et casseroles)</b>	<b>AUTO</b>	<b>Glass/Hand Wash (nettoyage de verre/à la main)</b>	<b>Normal</b>	<b>1-Hour (1 heure)</b>	<b>Quick (Rapide)</b>	<b>Rinse (Rinçage)</b>
<b>Sanitize (Désinfecter)</b>							
Temps de cycle en min.	125-150	125-150	S/O	150-155	S/O	S/O	S/O
Consom. d'eau en L (gal)	18,6-24,2 (4,3-5,7)	12,9-24,1 (3,4-6,4)	S/O	8,8-21 (2,3-5,5)	S/O	S/O	S/O
Temp. de rinçage en °F (°C)	162 (72)	162 (72)	S/O	162 (72)	S/O	S/O	S/O
<b>Star Dry™</b>							
Temps de cycle en min.	140-165	135-159	105-115	160-165	S/O	S/O	S/O
Consom. d'eau en L (gal)	18,6-24,2 (4,9-6,4)	12,9-24,1 (3,4-6,4)	9-14,6 (2,4-3,9)	8,8-21 (2,3-5,5)	S/O	S/O	S/O
Temp. de rinçage en °F (°C)	153 (67)	153 (67)	135 (57)	153 (67)	S/O	S/O	S/O

**Remarque :** Seuls les cycles de désinfection ont été conçus de manière à respecter les exigences de la Section 6 de la norme NSF/ANSI 184 relative aux équipements à usage résidentiel destinés à l'élimination de salissures et à la désinfection efficaces. À cet effet, aucune indication ne spécifie, directement ou indirectement, que tous les cycles ont passé avec succès les tests de performance en matière d'assainissement.

# Mise en marche du lave-vaisselle

**Remarque :** Avec les fonctions masquées, la porte doit être ouverte avant le changement des réglages et fermée une fois ces réglages effectués.

## ▲ AVERTISSEMENT

### RISQUE DE BLESSURES

Pour éviter des risques de blessures, faites toujours attention lorsque vous ouvrez la porte pendant ou après un cycle de lavage car des rejets d'eau chaude ou de vapeur peuvent survenir. N'ouvrez pas complètement la porte avant que les bruits d'eau n'aient cessés et que la vapeur ne soit dissipée.

Pour réduire le risque de blessure, interdisez aux enfants de jouer dans ou sur le lave-vaisselle.

À l'âge adulte leur permettant d'utiliser la machine, les enfants sont sous la responsabilité de leurs parents/tuteurs légaux qui doivent s'assurer qu'ils sont suffisamment instruits sur les bonnes pratiques par des personnes qualifiées.

## Protection contre une opération involontaire

Votre lave-vaisselle est équipé d'une fonction qui aide à empêcher toute utilisation involontaire (par exemple par des enfants).

Après le démarrage du lave-vaisselle, la porte doit être fermée dans les 4 secondes qui suivent ou l'opération sera interrompue. Un signal apparaîtra alors sur le panneau de contrôle, vous invitant à appuyer de nouveau sur le bouton Départ et à fermer la porte.

Cette fonction s'active lorsque :

- vous appuyez sur Départ pour lancer un cycle de lavage
- vous réglez le Départ différé et appuyez sur Départ
- vous ouvrez la porte alors que le Départ différé est enclenché
- vous ouvrez la porte au cours d'un cycle de lavage

**Remarque :** Il est impossible de désactiver cette fonction.

## Utilisation des boutons tactiles

Les boutons sont sensibles et doivent être légèrement touchés. Évitez que la graisse ou les particules d'aliments ne se déposent sur les boutons, cela peut activer le lave-vaisselle.

L'essuyage et le nettoyage peuvent également activer le lave-vaisselle. Pour un rendement optimal, touchez les boutons avec des mains nues et propres.

Pour nettoyer les boutons tactiles, essuyez-les avec un chiffon sec ou légèrement humide.

## Modification des réglages

Le lave-vaisselle a été configuré avec certains réglages pour votre confort. Il est possible de modifier ces réglages usine.

### Changez les réglages comme suit :

1. Ouvrez la porte.
2. Appuyez sur le bouton Marche/Arrêt .
3. Appuyez sur la touche Info  durant 3 secondes jusqu'à ce que le message suivant soit affiché dans l'affichage digital  :  
**Faites défiler avec < >**  
**Choisissez avec - +**  
**Quittez en appuyant sur Setup 3 sec.**
4. Maintenez le bouton >  enfoncé jusqu'à ce que le réglage requis soit affiché dans la fenêtre d'affichage supérieure .
5. Effectuez le réglage à l'aide des boutons + - .
6. Appuyez et maintenez la touche Info enfoncé  pendant 3 secondes.

Les réglages sélectionnés ont été sauvegardés.

**Conseil :** Si vous souhaitez modifier plusieurs réglages, commencez par les modifier un par un. Appuyez ensuite sur la touche Info  durant 3 secondes. Ceci sauvegarde toutes les valeurs définies dans l'appareil.

## AquaSensor

L'AquaSensor est un outil de mesure optique qui évalue la propreté de l'eau de rinçage.

L'AquaSensor est utilisé en fonction du cycle de lavage. Si l'AquaSensor est activé, l'eau de rinçage « propre » peut être réutilisée pour le prochain rinçage et la consommation d'eau peut ainsi être réduite de 0,8 à 1,5 gal (3 à 6 litres). Si l'eau de rinçage n'est pas encore propre, celle-ci est évacuée et remplacée par de l'eau claire. Pour les cycles de lavage automatiques, la température ainsi que la durée du cycle peuvent également être ajustées en fonction du degré de souillure.

## Affichage de l'heure

La durée du cycle de lavage est déterminée par la température de l'eau lors du cycle de lavage, la quantité de vaisselle, ainsi que son degré de souillure. Elle peut aussi varier selon le cycle de lavage choisi. Vous pouvez choisir d'afficher l'heure ou les heures/minutes restantes (« Fin à 15:20 » ou « Fin dans 3:25 », par exemple) avant la fin du cycle dans la fenêtre d'affichage.

## Sensor setting (réglage du capteur)

La séquence des cycles de lavage Auto est optimisée grâce aux capteurs. Ceux-ci ajustent la puissance des cycles de lavage Auto selon le degré et le type de souillure. Vous pouvez régler la sensibilité des capteurs selon 3 niveaux.

**Standard** : ce réglage est recommandé pour un usage quotidien, régulier ou normal. C'est le réglage le plus éconergétique.

**Sensitive (sensible)** : ce réglage ajuste la puissance du cycle de lavage pour éliminer efficacement les restes de nourriture, même si le degré de souillure est faible. La consommation en énergie et en eau est ajustée en conséquence.

**Very sensitive (très sensible)** : ce réglage ajuste la puissance du cycle de lavage pour éliminer les souillures les plus tenaces, comme les restes de nourriture séchés. Ce réglage est recommandé si vous utilisez des détergents biologiques ou écologiques, qui contiennent une quantité moindre d'agents actifs. La consommation en énergie et en eau est ajustée en conséquence.

## Extra Dry (extra sec)

Le rinçage final utilise une température supérieure qui améliore le résultat de séchage. La durée du programme peut augmenter légèrement. (Faites attention avec les ustensiles délicats!) Vous pouvez activer/désactiver la fonction Extra Dry (extra sec), qui fait augmenter légèrement la consommation d'énergie.

## Impact écologique

Lorsque la fonction Impact écologique est activée, la consommation d'eau et énergétique moyenne du cycle de lavage sélectionné est affichée un court instant dans l'affichage digital .

## Auto power off (Arrêt automatique)

Ce réglage détermine la durée d'illumination du tableau de commande une fois le cycle terminé.

Pour économiser de l'énergie, le paramètre recommandé est « After one minute » (après une minute).

### Voici les réglages possibles :

- **off (arrêt)** : l'appareil ne s'éteint pas automatiquement.
- **After one minute (après une minute)** : l'appareil s'éteint après 1 minute. C'est le réglage le plus éconergétique.
- **After two hours (après deux heures)** : l'appareil s'éteint après 2 heures.

## Volume de la sonnerie

La fin du cycle de lavage est indiquée par un signal sonore. Vous pouvez également modifier ce paramètre.

## Bouton de volume

Un signal sonore est émis lorsque vous appuyez sur un bouton du lave-vaisselle. Vous pouvez contrôler le volume de ce signal sonore. Si vous ne souhaitez pas avoir de signal sonore, vous pouvez le désactiver.

## Message de bienvenue

Lorsque vous mettez le lave-vaisselle sous tension, le logo de la marque apparaît. Vous pouvez désactiver l'affichage du logo de la marque.

## Réglages d'usine

Vous pouvez restaurer les réglages d'usine pour tous les paramètres.

## Mise sous tension de l'appareil

1. Ouvrez le robinet à fond.
2. Ouvrez la porte.
3. Appuyez sur le bouton **On/Off** (Marche/Arrêt) .  
Le cycle **Auto** été défini par défaut au démarrage de l'appareil. Ce cycle de lavage est sélectionné si vous n'appuyez sur aucun autre bouton .
4. Appuyez sur le bouton **Start** (Démarrer) .
5. Fermez la porte.  
Le cycle de lavage démarre.

**Remarque** : Votre lave-vaisselle est protégé contre les mises en marche involontaires. Si la porte de l'appareil reste ouverte durant plus de 4 secondes après que vous ayez appuyé sur le bouton Démarrer, l'opération est suspendue. Appuyez de nouveau sur le bouton Démarrer et fermez la porte de l'appareil.

## Temps de départ différé

Vous pouvez retarder le départ du cycle de lavage jusqu'à 24 heures. Selon le réglage de l'affichage de l'heure, la fin du cycle est indiquée par « Fin dans (3h25min, par exemple) » ou « Fin à (15:20, par exemple).

1. Ouvrez la porte.
2. Appuyez sur le bouton **On/Off** (Marche/arrêt) .
3. Sélectionnez le cycle de lavage .
4. Appuyez sur le bouton **Delay start** (Départ différé) .
5. Continuez à appuyer sur les boutons de réglage **+ -**  jusqu'à l'obtention du délai désiré.
6. Appuyez sur le bouton **Start** (démarrer) , le démarrage différé est activé.
7. Pour effacer le temps de Départ différé appuyez sur le bouton **Start** (démarrer)  pendant environ 3 secondes.
8. Fermez la porte.

**Remarque** : Votre lave-vaisselle est protégé contre les mises en marche involontaires. Si la porte de l'appareil reste ouverte durant plus de 4 secondes après que vous ayez appuyé sur le bouton Démarrer, l'opération est suspendue. Appuyez de nouveau sur le bouton Démarrer et fermez la porte de l'appareil.

## Sapphire Glow (emotionLight™) \*

La Sapphire Glow (emotionLight™) [20] s'allume lorsque la porte est ouverte, que l'interrupteur **On/off** [1] soit actionné ou non. Lorsque la porte est fermée, l'emotionLight™ est éteinte. Vous pouvez choisir d'activer ou de désactiver l'emotionLight™.

**Remarque :** Remarquez que l'emotionLight™ s'éteint automatiquement après 1 heure si la porte est ouverte.

## Star Glow (emotionLight Pro™) \*

emotionLight™ [20] désigne l'éclairage intérieur de votre lave-vaisselle. Vous pouvez activer ou désactiver l'éclairage intérieur. Si l'emotionLight™ est activé, d'autres réglages seront disponibles.

### Voici les réglages possibles :

- L'**emotionLight™** s'active lorsque la porte est ouverte et se désactive lorsque la porte est fermée.
- **emotionLight™ 1 (réglage de la luminosité de l'éclairage intérieur) :**  
Le réglage emotionLight™ 1 permet d'ajuster la luminosité de l'éclairage intérieur sur 4 niveaux d'intensité.
- **emotionLight™ 2 (réglage de la couleur de l'éclairage intérieur) :**  
Le réglage emotionLight™ 2 permet de sélectionner la couleur de l'éclairage intérieur. L'application Home Connect™ permet la personnalisation des couleurs.
- **emotionLight™ 3 (signalisation visuelle des erreurs) :**  
Le réglage emotionLight™ 3 permet d'activer ou de désactiver la signalisation visuelle des erreurs. Si l'emotionLight™ 3 est activée et qu'une erreur survient, l'éclairage intérieur du lave-vaisselle clignotera.

### Remarques

- Veuillez noter l'éclairage intérieur est automatiquement éteint après une heure s'il est activé et que la porte est ouverte.
- Lorsque l'éclairage intérieur est désactivé, les réglages pour emotionLight™ 1 à emotionLight™ 3 sont indisponibles.

## Time Remaining Power Beam<sup>MC</sup> (affichage optique pendant le cycle de lavage)

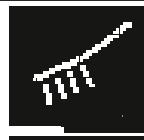
Durant le cycle de lavage, des informations supplémentaires sur le cycle (durée restante/images d'indication du cycle) sont projetées au sol, en face de l'appareil.

Vous pouvez activer ou désactiver cet affichage.

### Tous les affichages de temps restant



**Pré-wash (pré-lavage)**



**Cleaning (Nettoyage)**



**Rinsing (Rinçage)**



**Drying (Séchage)**

## Fin du cycle de lavage

Le cycle de nettoyage est terminé lorsque « Terminé » apparaît sur l'affichage digital [4].

## Mise hors tension de l'appareil

**Peu de temps après la fin du cycle de nettoyage :**

1. Appuyez sur le bouton **On/Off** (Marche/Arrêt) [1].
2. Fermez l'approvisionnement en eau.
3. Sortez la vaisselle lorsque ceux-ci ont refroidi.

---

### ▲ AVERTISSEMENT

#### RISQUE DE BLESSURES

Pour éviter des risques de blessures, faites toujours attention lorsque vous ouvrez la porte pendant ou après un cycle de lavage car des rejets d'eau chaude ou de vapeur peuvent survenir. N'ouvrez pas complètement la porte avant que les bruits d'eau n'aient cessés et que la vapeur ne soit dissipée.

Pour réduire le risque de blessure, interdisez aux enfants de jouer dans ou sur le lave-vaisselle.

À l'âge adulte leur permettant d'utiliser la machine, les enfants sont sous la responsabilité de leurs parents/tuteurs légaux qui doivent s'assurer qu'ils sont suffisamment instruits sur les bonnes pratiques par des personnes qualifiées.

---

## Interruption du cycle de lavage

---

### ▲ ATTENTION

Une pression trop excessive peut provoquer l'ouverture de la porte et le ruissellement d'eau! Si la porte a été ouverte et que celle-ci est chaude ou que le raccordement est chaud, laissez-la toujours entrouverte quelques minutes, puis fermez-la.

---

1. Ouvrez la porte.
2. Appuyez sur le bouton **On/Off** (Marche/Arrêt) [1].  
Les DEL s'éteignent. Le cycle de lavage a été sauvegardé.
3. Pour poursuivre le cycle, appuyez de nouveau sur le bouton **On/Off** (Marche/Arrêt) [1].
4. Fermez la porte.

**Remarque :** Votre lave-vaisselle est protégé contre les mises en marche involontaires. Si la porte de l'appareil reste ouverte durant plus de 4 secondes après que vous ayez appuyé sur le bouton Démarrer, l'opération est suspendue. Appuyez de nouveau sur le bouton Démarrer et fermez la porte de l'appareil.

## Arrêt du cycle de lavage (réinitialisation)

1. Ouvrez la porte, appuyez sur le bouton **Start** (Démarrer) [11] et maintenez-le enfoncé durant environ 3 secondes, jusqu'à le message « Programme arrêté » apparaît sur l'affichage digital [4].
2. Fermez la porte.
3. Attendez environ 1 minute tandis que le lave-vaisselle s'évacue.
4. Ouvrez la porte et appuyez sur le bouton **On/Off** (Marche/Arrêt) [1].

## Changement du cycle de lavage

Après avoir appuyé sur la touche **Start** [11], il est impossible de changer de cycle de lavage. Un changement de cycle de lavage n'est possible que via l'abandon d'un cycle de lavage (Réinitialisation (Reset)).

# Entretien et maintenance

Une inspection régulière et une maintenance de votre appareil vous aideront à prévenir d'éventuelles pannes. Ceci vous permet de sauver du temps et de parer à de nouveaux problèmes.

## Nettoyer le filtre du lave-vaisselle

- Essuyez régulièrement le devant de l'appareil à l'aide d'un chiffon légèrement humide; de l'eau et un peu de savon liquide suffisent.
- Avec des électroménagers en acier inoxydable (sauf ceux en acier inox noir), utilisez un produit à polir pour acier inoxydable pour sceller et protéger la surface.
- Nettoyez régulièrement les bords extérieurs du panneau intérieur de la porte afin d'éliminer les résidus déposés lors du chargement normal. Si des taches apparaissent sur l'acier inoxydable, assurez-vous que l'agent de rinçage est rempli et fonctionne correctement.
- Nettoyez régulièrement le joint de la porte avec un chiffon légèrement humide afin d'éliminer les particules alimentaires déposées lors du chargement normal et qui peuvent causer des odeurs. Un joint de porte souillé peut empêcher le bon verrouillage de celle-ci.

### AVIS

- N'utilisez jamais un nettoyeur à vapeur pour laver votre lave-vaisselle. Le fabricant ne sera en aucun cas responsable des dégâts causés.
- Évitez d'utiliser des éponges, elles pourraient rayer les surfaces.
- N'utilisez pas de nettoyeurs ou de lingettes à base d'eau de Javel, elles pourraient endommager la surface ou l'impression.
- N'utilisez pas de vernis pour l'acier inoxydable sur de l'acier inox noir.

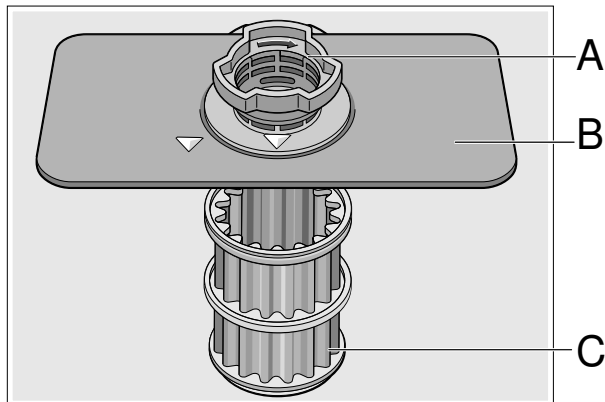
### ▲ AVERTISSEMENT

Faites preuve de prudence lorsque vous démontez les pièces pour le nettoyage, car certains débris peuvent être tranchants.

## Filtres

### Éléments de filtrage

Le système de filtration [29] est constitué de trois éléments.



#### A Filtre à gros éléments

Il empêche les objets qui ne devraient pas être placés dans votre lave-vaisselle d'endommager le système de pompage du lave-vaisselle ou d'obstruer le système d'évacuation de votre maison.

#### B Filtre fin plat

Il empêche les particules d'aliments d'entrer dans la chambre de lavage et dirige ces particules vers le micro-filtre.

#### C Micro-filtre

Il dirige les particules les plus petites vers le système de plomberie de la maison.

## Intervalles de nettoyage

Le système de filtration [29] est conçu de manière à minimiser l'entretien tout en assurant un rendement de nettoyage élevé et une faible consommation d'énergie. Selon les habitudes d'utilisation et la dureté de l'eau, le système de filtration nécessite un certain entretien afin de garder son efficacité.

Vous pouvez nettoyer le système de filtration :

- lorsque vous y trouvez des résidus d'aliments ou si des éléments sont retenus dans le filtre à gros éléments.
- En cas de baisse d'efficacité ou si un film granuleux se forme sur la vaisselle.

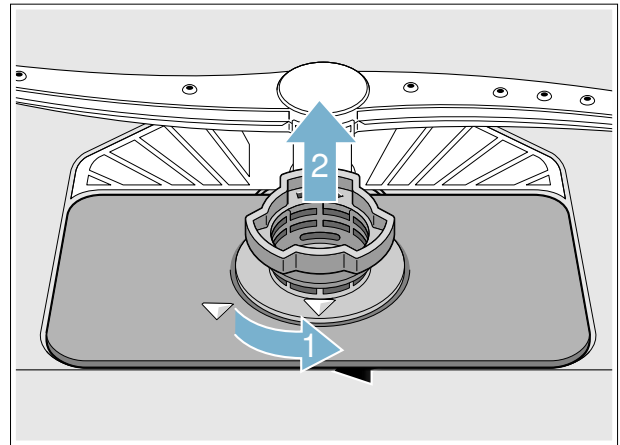
En cas de nettoyage de résidus alimentaires à incrustation normale raclés avant l'insertion de la vaisselle dans l'appareil, dans un ménage où le lave-vaisselle fonctionne un jour sur deux, le filtre de l'appareil doit être nettoyé :

Intervalle de nettoyage	Utilisation
3 à 6 fois par an	usage léger à moyen
8 à 12 fois par an	usage intensif

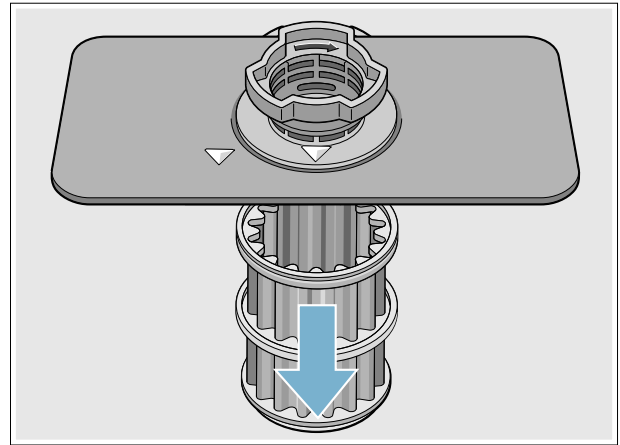
**Remarque :** Nettoyez le filtre après le lavage d'une vaisselle à grande quantité de résidus alimentaires ou d'une vaisselle à forte teneur en fécule afin de garder un rendement optimal.

## Pour vérifier ou nettoyer le système de filtration :

1. Recherchez des traces de résidus dans les filtres après chaque cycle de lavage.
2. Dévissez le filtre à gros éléments tel qu'illustré et retirez tout le système de filtration.



3. Retirez le microfiltre du filtre fin pour faciliter le nettoyage.



4. Rincez les filtres sous l'eau courante et frottez-le avec une brosse souple.

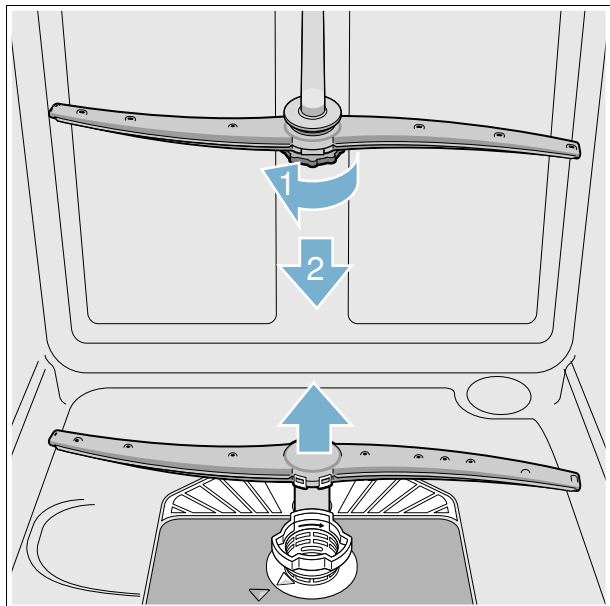
**Remarque :** n'utilisez pas de brosse abrasive ou de laine d'acier, etc., car elles pourraient endommager le filtre.

5. Remontez le système de filtration dans l'ordre inverse et fixez le filtre à gros éléments en le vissant jusqu'à ce que les flèches de marquage soient alignées.

## Bras gicleurs

Le calcaire et des contaminants dans l'eau de rinçage peuvent bloquer les buses ainsi que les articulations des bras de pulvérisation [23] et [27].

1. Recherchez d'éventuelles obstructions des buses au bout des bras de pulvérisation.
2. Dévissez le bras de pulvérisation supérieur [23] (1) et retirez-le en tirant vers le bas (2).
3. Retirez le bras de pulvérisation inférieur [27] en le tirant vers le haut.



4. Nettoyez les bras de pulvérisation à l'eau claire.
5. Remontez les bras de pulvérisation.

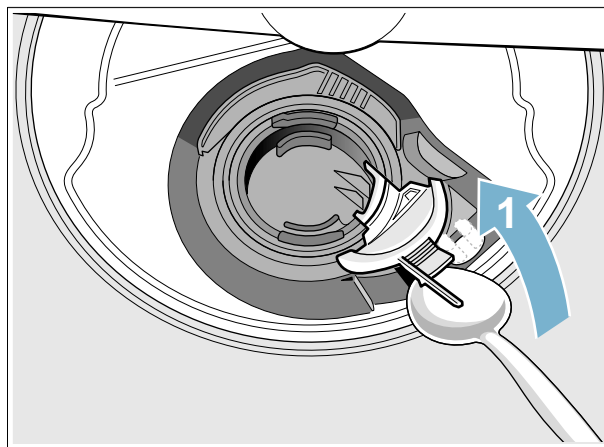
## Pompe pour eaux résiduaires

De gros résidus alimentaires présents dans l'eau de rinçage et non retenus par les filtres peuvent obstruer la pompe pour eaux résiduaires. Dans ce cas :

### ⚠ AVERTISSEMENT

Soyez prudent lorsque vous démontez les pièces pour le nettoyage, car certains débris peuvent être tranchants.

1. Débranchez l'appareil du réseau électrique.
2. Sortez le panier supérieur [22] ainsi que le panier inférieur [31].
3. Retirez les filtres [29].
4. Videz l'eau résiduelle avec un récipient approprié - utilisez une éponge au besoin.
5. À l'aide d'une cuillère, débloquez le couvercle de la pompe (tel qu'illustré) jusqu'à entendre un clic, saisissez-le ensuite et tirez-le jusqu'à ce qu'une légère résistance se fasse sentir, puis tirez-le vers l'avant (1). Retirez complètement le couvercle.



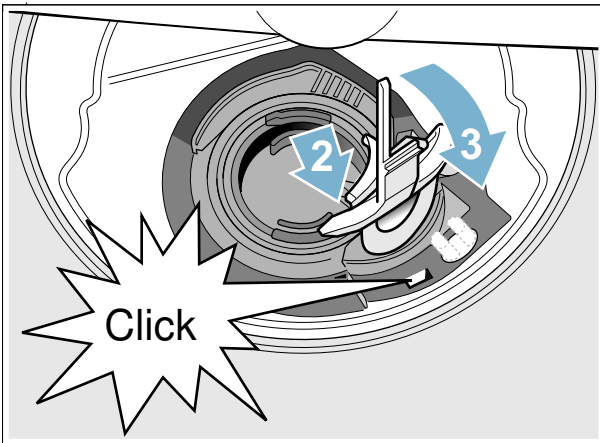
6. Contrôlez le compartiment interne et éliminez tout objet étranger.

### ⚠ AVERTISSEMENT

Soyez prudent lorsque vous démontez les pièces pour le nettoyage, car certains débris peuvent être tranchants.



7. Placez le couvercle de la pompe à sa position initiale (2), appuyez jusqu'à ce qu'il s'encliquette(3).



8. Placez le couvercle à sa position initiale, appuyez et bloquez-le.  
9. Remontez les filtres.  
10. Replacez les paniers.

**Remarque :** La pompe de vidange ne fonctionnera pas correctement si elle n'est pas totalement insérée, jusqu'à ce qu'elle émette un « clic ».

## Rangement de l'appareil en cas d'inactivité

**AVIS :** Par temps chaud, avant d'aller en vacances, en plus de l'arrêt de la vanne principale, arrêtez également l'alimentation en eau au point le plus proche du lave-vaisselle. Ne pas laisser la vaisselle sale dans l'appareil et laisser la porte légèrement ouverte. Par temps froid, veuillez respecter les instructions suivantes relatives à la préparation de l'appareil pour l'hiver.

## Préparation de l'appareil pour l'hiver

**AVIS :** En cas d'inutilisation de votre lave-vaisselle pour une période dans un emplacement aux températures hivernales (maison de vacances ou pendant une période de vacances), faites préparer votre lave-vaisselle pour l'hiver par un personnel qualifié.

# Dépannage

Les lave-vaisselle peuvent occasionnellement présenter des problèmes sans rapport avec un dysfonctionnement dudit lave-vaisselle. Les informations suivantes peuvent vous aider à résoudre un problème afférent au lave-vaisselle sans la nécessité de recourir à un professionnel.

**Remarque :** Si l'appareil s'arrête en cours de lavage, ou s'il ne se met pas en route pour une raison quelconque, lancez un cycle d'annulation (Réinitialisation) en premier lieu.

## ▲ AVERTISSEMENT

DES RÉPARATIONS INADAPTÉES OU L'UTILISATION DE PIÈCES QUI NE SONT PAS D'ORIGINE PEUVENT PROVOQUER DES DÉGÂTS

CONSIDÉRABLES ET METTRE EN DANGER L'UTILISATEUR

Faites effectuer toute réparation par un technicien qualifié. Si un élément doit être remplacé, utilisez toujours des pièces d'origine.

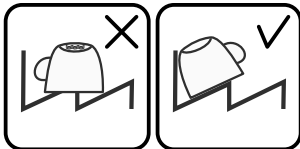
## Message d'erreur

Certaines défaillances sont indiquées dans la partie supérieure de la fenêtre d'affichage [4] ainsi que sur l'affichage frontal\* [13]. Des solutions possibles à ces problèmes sont fournies (par exemple : Système de filtration souillé (E22) → Nettoyez les filtres).

\* option facultative qui peut être ou ne pas être incluse avec votre lave-vaisselle.

## Tableau des défaillances

Erreur	Cause	Solution
Le code d'erreur <b>E:18</b> est allumé.	Le tuyau d'alimentation est coudé ou bouché.	Installez le tuyau d'alimentation sans coudes.
	Le robinet est fermé.	Ouvrez le robinet.
	Robinet obstrué ou entartré.	Ouvrez le robinet. Le débit doit être de 10 l/min lorsque l'alimentation en eau est ouverte.
Le code d'erreur <b>E:07</b> est allumé.	L'ouverture de l'arrivée d'eau (sur le côté droit de l'appareil) est obstruée par de la vaisselle.	Disposez la vaisselle de manière à ce qu'elle n'obstrue pas l'arrivée d'eau.
Le code d'erreur <b>E:22</b> est allumé.	Les filtres [29] sont souillés ou obstrués.	Nettoyez les filtres.
Le code d'erreur <b>E:24</b> est allumé.	Le flexible d'évacuation d'eau usée est coudé ou obstrué.	Installez le flexible d'alimentation sans coudes et retirez les résidus.
	Le raccord du siphon est scellé.	Examinez le raccord du siphon et ouvrez-le au besoin.
	Le couvercle de la pompe de drainage est mal fermé.	Fermez-le convenablement.
Le code d'erreur <b>E:25</b> est allumé.	La pompe de drainage est obstruée ou le couvercle de la pompe de drainage est mal fermé.	Nettoyez la pompe et fermez le couvercle convenablement.
Le code d'erreur <b>E:27</b> est allumé.	La tension d'alimentation est trop faible.	Il ne s'agit pas d'une défaillance de l'appareil. Faites vérifier la tension et l'installation électrique.
Un code d'erreur différent est affiché sur l'affichage numérique. ( <b>E:01</b> à <b>E:30</b> )	Une défaillance technique a probablement eu lieu.	Mettez l'appareil hors tension en appuyant sur le bouton ON/OFF [1]. Remettez l'appareil sous tension après un court moment. Si le problème persiste, fermez le robinet et débranchez la prise d'alimentation. Appelez le service à la clientèle et mentionnez le code d'erreur.
L'indicateur de remplissage de sels [6] et/ou d'agent de rinçage [5] est allumé.	Pas d'agent de rinçage.	Remplissez l'agent de rinçage.
	Pas de sels.	Remplir de sels.
	Le capteur ne détecte pas les comprimés de sel.	Utiliser un autre type de sels.

<b>Erreur</b>	<b>Cause</b>	<b>Solution</b>
L'indicateur de remplissage de sels [6] et/ou d'agent de rinçage [5] n'est pas allumé.	L'indicateur de remplissage est éteint.	Activation/désactivation.
Il reste de l'eau dans l'appareil à la fin du cycle de lavage.	Il reste encore suffisamment de sels/d'agent de rinçage.	Vérifiez le niveau des indicateurs de remplissage.
	Le système de filtration ou l'espace sous les filtres [29] est obstrué.	Nettoyez les filtres ainsi que la zone se trouvant sous ces derniers.
La vaisselle n'est pas sèche.	Le cycle de lavage n'est pas encore terminé.	Attendez la fin du cycle de lavage ou la réinitialisation de ce dernier.
	Distributeur d'agent de rinçage vide ou insuffisamment rempli.	Remplissez l'agent de rinçage.
	Cycle de lavage sélectionné sans séchage.	Sélectionnez un cycle de lavage avec séchage.
Il reste de l'eau dans les creux de la vaisselle et de l'argenterie.		Disposez la vaisselle de façon inclinée, en particulier celle qui présente des dépôts d'eau une fois le cycle de lavage terminé.
		
	Le détergent tout-en-un a des propriétés de séchage médiocres.	Utilisez un autre détergent tout-en-un avec de meilleures propriétés de séchage. L'utilisation d'un agent de séchage améliore également celui-ci.
	extraDry (Séchage Supplémentaire) pour améliorer le séchage non activé.	Activez extraDry (Séchage Supplémentaire).
	La vaisselle a été retirée trop tôt ou le séchage n'est pas encore terminé.	Attendez la fin du cycle de lavage ou attendez 30 minutes après la fin de celui-ci avant de retirer la vaisselle.
	L'agent de rinçage écologique a des propriétés de séchage médiocres.	Utilisez un agent de rinçage classique. Les produits écologiques peuvent avoir une efficacité limitée.
La vaisselle en plastique n'est pas sèche.	Le plastique a des propriétés particulières.	Les matières plastiques ne sèchent pas aussi bien car elles conservent mal leur chaleur.
L'argenterie n'est pas sèche.	L'argenterie n'est pas disposée correctement dans le panier prévu à cet effet.	Séparez l'argenterie. Évitez les points de contact si possible.
	L'argenterie n'est pas disposée correctement dans le troisième panier.	Disposez l'argenterie correctement et séparez-la si possible.
L'intérieur de l'appareil est humide après le cycle de rinçage.	Il ne s'agit pas d'une défaillance de l'appareil.	Les lave-vaisselles sèchent par condensation, c.-à-d. que l'air humide se condense sur les parois de la cuve pour être ensuite évacué.

Erreur	Cause	Solution
Traces de nourriture sur la vaisselle.	Pas assez d'espace entre les éléments, panier surchargé.	Disposez la vaisselle de manière adéquate en laissant suffisamment d'espace entre les éléments afin que les jets d'eau puissent atteindre toute leur surface. Évitez les points de contact.
	La rotation du bras de pulvérisation est entravée.	Disposez la vaisselle de sorte que le bras de pulvérisation puisse tourner sans entrave.
	Les buses du bras de pulvérisation sont bouchées.	Nettoyez les buses du bras de pulvérisation.
	Filtres [29] encrassés.	Nettoyez les filtres.
	Filtres [29] mal insérés et/ou non insérés.	Insérez les filtres correctement.
	Cycle de rinçage trop faible.	Choisissez un cycle de rinçage plus fort. Augmentez la sensibilité des capteurs.
	Le pré lavage a enlevé la majorité des souillures, les capteurs ont alors choisi de lancer un cycle de lavage léger. Des souillures tenaces sont impossibles à enlever.	N'effectuez pas de rinçage préalable de la vaisselle. Ne retirez que le plus gros des souillures. Augmentez la sensibilité des capteurs. Le cycle de lavage « Normal » ou Intensif est recommandé.
	Les récipients longs et étroits ne sont pas bien rincés lorsqu'ils sont dans les coins du panier.	N'inclinez pas les contenants et ne les placez pas dans les coins.
Le panier supérieur [22] n'est pas à la même hauteur à gauche et à droite.	Repositionnez le panier supérieur de manière horizontale à l'aide des leviers latéraux.	
Le lave-vaisselle semble fonctionner trop longtemps.	L'eau entrante n'est pas assez chaude.	Avant de démarrer un cycle, ouvrez le robinet d'eau chaude au niveau de l'évier le plus proche du lave-vaisselle.
	Le temps de cycle peut varier en raison de l'état de souillure et de l'eau.	Les capteurs dans le lave-vaisselle augmentent automatiquement le temps du cycle pour assurer un bon lavage lorsque la souillure est détectée.
	Le distributeur de [32] produit de rinçage est vide.	Ajoutez le produit de rinçage.
	Lave-vaisselle connecté à l'alimentation en eau froide.	Vérifiez que le lave-vaisselle est connecté à la plomberie d'alimentation en eau chaude.
<b>Remarque :</b> : Vérifiez la durée spécifique du cycle de lavage.		

Erreur	Cause	Solution
Résidus de détergent.	Le couvercle du distributeur [33] de détergent est bloqué par la vaisselle et ne peut pas s'ouvrir complètement.	La vaisselle ne doit pas être placée au-dessus du compartiment détergent [24]. Cela peut bloquer le couvercle du distributeur de détergent et l'empêcher de s'ouvrir complètement. Ne placez pas de vaisselle ou de distributeur de parfum dans le compartiment à comprimé détergent.
	Le couvercle du distributeur à détergent [33] est bloqué par le comprimé détergent.	Le comprimé détergent doit être déposé à plat et non sur le côté.
	Comprimés détergents utilisés dans le cycle de lavage court ou rapide. Les comprimés détergents n'ont pas le temps de se dissoudre complètement dans le cycle de lavage court ou rapide.	Le temps de dissolution des comprimés détergents est trop long pour un cycle de lavage court. Utilisez un détergent en poudre ou sélectionnez un cycle de lavage plus fort.
	Les propriétés de nettoyage et de dissolution sont réduites après un temps d'entreposage prolongé ou si le détergent est grumeleux.	Changez de détergent.
Taches d'eau sur les parties en plastique.	La formation de gouttelettes sur les surfaces en plastique est physiquement impossible à éviter. Des traces d'eau sont visibles après le séchage.	Utilisez un cycle de lavage plus fort (avec davantage de changements d'eau). Disposez la vaisselle de manière inclinée. Utilisez un agent de rinçage. Au besoin, sélectionnez une valeur d'adoucissement de l'eau plus élevée.
Dépôt de pellicules solubles à l'intérieur de l'appareil ou sur la porte.	Dépôt de substances du détergent. Ces dépôts ne peuvent généralement pas être retirés à l'aide de produits chimiques (nettoyant pour lave-vaisselle, etc.).	Changez de marque de détergent. Nettoyez l'appareil à la main.
	Si une « pellicule blanche » est présente dans le fond de l'appareil, le système d'adoucissement de l'eau a été réglé sur une valeur trop faible.	Choisissez une valeur plus élevée et changez de détergent au besoin.
	Le couvercle du distributeur à sel [28] n'est pas fermé.	Fermez convenablement le couvercle du distributeur à sel.
	Uniquement pour le verre : les débuts de corrosion sur le verre ne peuvent être essuyés qu'en apparence.	Voir « Dégâts causés à la verrerie et l'argenterie ».
Dépôts de calcaire sur la vaisselle, le bassin, les paniers ou la porte.	Un résidu blanc recouvre l'intérieur du lave-vaisselle et les roues des paniers grincent en raison des dépôts de calcaire dans l'eau dure.	Utilisez un nettoyant à lave-vaisselle à tous les quelques mois. Si le lave-vaisselle a un adoucisseur d'eau, augmentez-en le réglage.
	L'eau dure a empêché les détergents 3 en 1 ou bio/écologiques d'être efficaces.	Utilisez un détergent à lave-vaisselle, un produit de rinçage et des sels adoucissants (si le lave-vaisselle est muni d'un adoucisseur) distincts et séparés.
	Sous-dosage du détergent.	Utilisez plus de détergent ou un détergent plus efficace.
	La température de rinçage est trop basse.	Choisissez un cycle de nettoyage plus intense avec des températures de nettoyage plus chaudes.

<b>Erreur</b>	<b>Cause</b>	<b>Solution</b>
Résidus de thé ou de rouge à lèvres sur la vaisselle.	La température de rinçage est trop basse.	Sélectionnez un cycle de lavage avec une température supérieure.
	Pas assez de détergent ou détergent inapproprié.	Utiliser un détergent et un dosage appropriés.
	Le pré lavage a enlevé la majorité des souillures, les capteurs ont alors choisi de lancer un cycle de lavage léger.Des souillures tenaces sont impossibles à enlever.	N'effectuez pas de rinçage préalable de la vaisselle.Ne retirez que le plus gros des souillures. Augmentez la sensibilité des capteurs. Le cycle de lavage « Regular » (normal) est recommandé.
Film coloré (bleu, jaune, brun) dans le lave-vaisselle ou sur les ustensiles en inox.	Le film provient du mélange de dépôts alimentaires et de dépôts de minéraux.	Peut être partiellement retiré avec un nettoyeur à lave-vaisselle ou mécaniquement.
	Le film est formé par l'oxydation de l'argenterie ou des ustensiles en aluminium.	Peut être partiellement retiré avec un nettoyeur à lave-vaisselle ou mécaniquement.
Film coloré (jaune, orange, marron) à l'intérieur de l'appareil (principalement au fond) facile à enlever.	Film savonneux du mélange de nourriture et d'eau dure.	Utilisez un adoucisseur d'eau* - remplissez-le avec du sel ou augmentez le réglage si nécessaire. Utilisez du détergent à lave-vaisselle au lieu d'un détergent 3 en 1 ou écologique.
Pièces en plastique tachées ou décolorées.	Les pièces en plastique à l'intérieur de l'appareil peuvent se décolorer au fil de l'utilisation celui-ci.	Cette décoloration est normale et n'empêchera pas le lave-vaisselle de fonctionner correctement.
	La température de rinçage est trop basse.	Sélectionnez un cycle de lavage avec une température supérieure.
	Le pré lavage a enlevé la majorité des souillures, les capteurs ont alors choisi de lancer un cycle de lavage léger.Des souillures tenaces sont impossibles à enlever.	N'effectuez pas de rinçage préalable de la vaisselle.Ne retirez que le plus gros des souillures. Augmentez la sensibilité des capteurs. Le cycle de lavage « Regular » (normal) est recommandé.
Taches amovibles sur les verres, verres avec une apparence métallique et l'argenterie.	Trop d'agent de rinçage.	Réglez la quantité d'agent de rinçage à une valeur moins élevée.
	Pas d'agent de rinçage ou valeur définie trop faible.	Ajoutez de l'agent de rinçage et vérifiez le dosage (valeurs recommandées 4 ou 5).
	Résidus de détergent déposés au cours du cycle de rinçage final. Le couvercle du distributeur de détergent est bloqué par la vaisselle et ne peut pas s'ouvrir complètement.	Le couvercle du distributeur de détergent ne doit pas être bloqué par la vaisselle. Ne placez pas de vaisselle ou de distributeur de parfum dans le compartiment à comprimé détergent.
	Le pré lavage a enlevé la majorité des souillures, les capteurs ont alors choisi de lancer un cycle de lavage léger.Des souillures tenaces sont impossibles à enlever.	N'effectuez pas de rinçage préalable de la vaisselle.Ne retirez que le plus gros des souillures. Augmentez la sensibilité des capteurs. Le cycle de lavage « Regular » (normal) est recommandé.

<b>Erreur</b>	<b>Cause</b>	<b>Solution</b>
Verres ternis de manière irréversible.	Verres non adaptés au lavage en lave-vaisselle.	Utilisez des verres qui vont au lave-vaisselle. Évitez l'exposition prolongée à la vapeur (phase ayant lieu une fois le cycle de lavage terminé). Utilisez un cycle de lavage à basse température. Réglez le système d'adoucissement de l'eau selon la dureté de l'eau (choisissez une valeur inférieur d'un point au besoin). Utilisez un détergent contenant un agent qui protège le verre.
Points de rouille sur l'argenterie.	L'argenterie résiste mal à la rouille. Les lames des couteaux sont fréquemment plus sévèrement touchées.	Utilisez de l'argenterie résistante à la corrosion.
	L'argenterie rouillera également si des parties rouillées sont rincées en même temps (poignées de casseroles, paniers à ustensiles endommagés, etc.).	Ne lavez pas les éléments rouillés.
	Trop de sels dans l'eau de rinçage, à cause du couvercle du distributeur de sel qui n'a pas été fermé convenablement ou parce que des sels ont été versés à côté lors du remplissage.	Fermez le couvercle du distributeur convenablement ou retirez les sels versés à côté.
L'appareil ne peut pas être mis sous tension ou il ne fonctionne pas.	Défaillance.	Débranchez l'appareil du réseau électrique, débranchez la fiche secteur ou éteignez le fusible. Attendez au moins 5 secondes, puis rebranchez l'appareil au réseau électrique.
L'appareil ne se met pas en marche.	Le fusible de réseau a peut-être brûlé ou le disjoncteur s'est peut-être déclenché.	Vérifiez le fusible de réseau ou le disjoncteur.
	La porte est peut-être mal verrouillée.	Appuyez sur l'interrupteur d'alimentation principale pour mettre l'appareil sous tension.
	L'appareil est peut-être éteint.	Fermez complètement la porte.
	Le démarrage différé peut être activé.	Pour le réinitialiser, veuillez vous reporter à la rubrique « Démarrage différé » du présent manuel.
	Appuyer 2x pour ouvrir est activée.	Désactivez.
	La porte a probablement été fermée sans que le cycle ne soit préalablement sélectionné.	Sélectionnez un cycle et fermez la porte.
	Cordon d'alimentation non inséré.	Assurez-vous que le cordon d'alimentation est branché à la prise et raccordé à l'arrière de l'appareil. Vérifiez que la prise fonctionne.
	Le lave-vaisselle n'est peut-être pas connecté à l'alimentation en eau.	Vérifiez et rétablissez l'approvisionnement en eau.
	La porte n'est pas fermée correctement.	Fermez la porte.
La portée est restée ouverte durant plus de 4 secondes après avoir appuyé sur le bouton START.	Appuyez à nouveau sur le bouton START et fermez la porte de l'appareil dans les 4 secondes qui suivent (voir « Protection contre les utilisations non désirées »).	
Le cycle de lavage démarre automatiquement.	Vous n'avez pas attendu la fin du cycle de lavage.	Effectuez une réinitialisation. (voir « Annulation du cycle de lavage »).

<b>Erreur</b>	<b>Cause</b>	<b>Solution</b>
Le couvercle du distributeur de détergent ne peut être fermé.	Le distributeur de détergent ou le guide de son couvercle est bloqué par des résidus collants de détergent.	Retirez les résidus de détergent.
Résidus de détergent dans le distributeur de détergent [33] ou dans le compartiment à comprimé détergent [24].	Les bras de pulvérisation sont bloqués par la vaisselle et le détergent ne peut être rincé.	Assurez-vous que les bras de pulvérisation peuvent tourner librement.
	Le distributeur de détergent était humide lors du remplissage.	Ne versez du détergent que dans le distributeur de détergent sec.
L'appareil s'arrête en cours de cycle de lavage ou le cycle de lavage est interrompu.	La porte n'est pas fermée correctement.	Fermez la porte.
	Ne placez pas de vaisselle ou de distributeur de parfum dans le compartiment à détergent. Le panier supérieur appuie contre la porte et l'empêche de fermer correctement.	Vérifiez si le panneau arrière est éventuellement comprimé, par exemple par une prise ou un support de flexible n'ayant pas été retiré.
	Coupure d'alimentation électrique ou d'eau.	Rétablissez l'alimentation électrique ou d'eau.
Les valves de remplissage font un bruit important.	Cela dépend de votre installation domestique et n'est pas une défaillance de l'appareil. Aucun effet sur le fonctionnement de l'appareil.	Pas de solution.
Bruits de chocs ou de casse.	Le bras de pulvérisation heurte la vaisselle, celle-ci n'est pas disposée correctement.	Disposez la vaisselle de manière à ce que le bras de pulvérisation ne la touche pas.
	Si ces bruits surviennent alors que le chargement est léger, il s'agit alors des jets d'eau qui touchent la cuve de lavage.	Chargez davantage l'appareil ou disposez la vaisselle de manière plus uniforme dans celui-ci.
	La vaisselle légère bouge durant le cycle de lavage.	Disposez la vaisselle légère de manière sûre.
Formation de mousse inhabituelle.	Nettoyez manuellement le liquide dans le distributeur d'agent de rinçage.	Remplissez immédiatement le distributeur d'agent de rinçage.
	Rincez l'agent de rinçage ayant débordé.	Retirez l'agent de rinçage à l'aide d'un linge.



---

## Service à la clientèle

Votre lave-vaisselle ne nécessite pas d'entretien autre que les mesures décrites dans la rubrique Entretien et maintenance du présent manuel. En cas de défaillance de votre lave-vaisselle, veuillez vous référer à la rubrique Guide de dépannage du présent manuel avant de contacter le service à la clientèle. Si la maintenance est nécessaire, contactez votre revendeur ou installateur, ou un centre de service agréé. N'essayez pas de réparer votre appareil vous-même. Toute réparation effectuée par un personnel non autorisé peut annuler la garantie.

En cas de problème avec votre lave-vaisselle et si vous n'êtes pas satisfait du service que vous avez reçu, veuillez suivre les étapes suivantes jusqu'à ce que le problème soit résolu à votre entière satisfaction :

1. Contactez votre installateur ou le Fournisseur de services agréé Thermador® de votre région.
2. Écrivez-vous depuis la section du service à la clientèle de notre site Web, **www.thermador.com** (É-U) ou **www.thermador.ca** (Canada).
3. Appelez-nous au **800-735-4328**
4. Écrivez-nous :

BSH Home Appliances Corporation  
1901 Main Street, Suite 600  
Irvine, CA 92614  
É-U

Veuillez vous assurer d'indiquer les informations relatives à votre modèle ainsi qu'une explication du problème et la date à laquelle celui-ci est survenu. Vous trouverez les informations relatives au modèle et au numéro de série sur l'étiquette se trouvant à l'extrémité de la porte du lave-vaisselle. Veuillez faire une copie de votre facture et conservez-la avec le présent manuel. Pour bénéficier du service de garantie, il peut être demandé au client de présenter une preuve d'achat de l'équipement.

# Déclaration de la garantie limitée du produit

## Ce que couvre cette garantie et à qui elle s'applique :

La garantie limitée fournie par BSH Home Appliances (Thermador®) dans cette déclaration de garantie limitée s'applique seulement à l'appareil Thermador (« produit ») qui vous a été vendu, en tant que premier acheteur, pour autant que le produit ait été acheté :

- pour vos besoins personnels (non-commerciaux) et qu'il a été utilisé uniquement à des fins ménagères normales;
- neuf au détail (pas en tant qu'objet exposé, « en l'état », ou un modèle précédemment retourné), et non pour la revente, ou pour une utilisation commerciale; et
- aux États-Unis ou au Canada, et est en tout temps demeuré dans le pays d'achat. Les garanties mentionnées dans le présent manuel s'appliquent uniquement au premier acquéreur du Produit et ne sont pas transférables.

Thermador se réserve le droit d'exiger une preuve d'achat à chaque réclamation au titre de la garantie afin de confirmer que le produit relève du champ d'application de la présente garantie limitée de produit. Assurez-vous de retourner votre carte d'enregistrement; bien qu'il ne soit pas nécessaire d'effectuer une couverture de garantie, il s'agit toutefois du meilleur moyen pour Thermador de vous contacter en cas d'émission d'un avis de sécurité ou d'un rappel de produit.

## Durée de la garantie

Thermador garantit que le produit est exempt de défaut de matériau et de fabrication pour une période de sept cent trente (730) jours (2 ans) à compter de la date d'achat. La période susmentionnée commence à partir de la date d'achat et ne saurait être retenue, retardée, prolongée ou interrompue pour quelque raison que ce soit.

Ce Produit est également garanti contre tout défaut de matériau et de fabrication **apparent** (tels les éraflures sur l'acier inoxydable, les défauts d'aspect de la peinture ou de la porcelaine, les ébréchures, les bosselures, ou autres dégâts au fini du Produit), pendant une période de trente (30) jours à compter de la date d'achat ou de la date de clôture pour une nouvelle construction. Cette garantie relative à **l'apparence** exclut les légères variations de couleur découlant des différences inhérentes aux pièces peintes et en porcelaine, ainsi que découlant des différences causées par l'éclairage de cuisine, l'emplacement du produit ou d'autres facteurs similaires. Cette garantie relative à **l'apparence** exclut plus particulièrement tout appareil électroménager en exposition, de plancher, « En l'état » ou de stock « B ».

## Garantie limitée prolongée

BSH fournit également les garanties limitées supplémentaires ci-après :

- 5 ans de garantie limitée sur les appareils électroniques : BSH se chargera de la réparation ou du remplacement de tout microprocesseur BSH ou carte de circuit imprimée en cas de défaillance matérielle ou de défauts liés à la fabrication (à l'exception des coûts de travail).
- 5 ans de garantie limitée sur les paniers de vaisselle : BSH se chargera du remplacement du panier supérieur ou inférieur (excepté les composants de panier) si le panier présente des défaillances matérielles ou des défauts liés à la fabrication (à l'exception des coûts de travail).
- Garantie à vie contre la rouille de l'acier inoxydable : BSH se chargera de la réparation ou du remplacement de votre lave-vaisselle par un modèle similaire ou un tout nouveau modèle pratiquement équivalent ou meilleur en termes de fonctionnalités, si le revêtement intérieur rouille (à l'exception des coûts de travail).
- BSH se chargera de la réparation ou du remplacement de la porte en acier inoxydable en cas de rouille (à l'exclusion des coûts de travail).

## Réparation ou remplacement : votre recours exclusif

Pendant ladite période de garantie, Thermador ou un de ses centres de réparation autorisés réparera le produit sans frais (sous réserve de certaines limitations indiquées aux présentes) si le produit présente un défaut de fabrication ou de matériau. En cas d'échec des tentatives raisonnables de réparation du produit, Thermador remplacera le produit (un modèle supérieur peut être mis à disposition, à la seule discrétion de Thermador, moyennant des frais additionnels). Toutes les pièces et les composants déposés doivent demeurer la seule propriété de Thermador. Toute pièce remplacée ou réparée doit être identique à la pièce d'origine aux fins de la présente garantie et la garantie ne sera pas prolongée à l'égard de telles pièces. La seule responsabilité de Thermador, en vertu des présentes, se limite à la réparation des produits défectueux au départ de l'usine, par le biais d'un fournisseur de services agréé Thermador pendant les heures de travail normales. Pour des considérations de sécurité et de condition de la propriété, Thermador vous recommande vivement de ne pas essayer de réparer le produit vous-même, ou de faire appel à un agent d'entretien non autorisé; Thermador ne saurait en aucun cas être considérée responsable des réparations ou des travaux effectués par un agent non autorisé. Si vous faites appel à un agent d'entretien autre qu'un fournisseur de services agréé pour la réparation de votre produit, **CETTE GARANTIE EST AUTOMATIQUEMENT ANNULÉE**. Les centres de service agréés sont les personnes ou les entreprises qui ont été spécialement formées sur les produits Thermador et qui possèdent, d'après Thermador, une très bonne réputation en matière de service à la clientèle et une capacité technique supérieure (il est à noter qu'il s'agit d'entités indépendantes et non des agents, partenaires, filiales ou représentants de Thermador). Nonobstant ce qui précède, Thermador ne saurait être tenue responsable d'aucune façon si le produit est situé dans une région éloignée (à plus de 100 miles d'un centre de réparation autorisé) ou n'est pas accessible de façon raisonnable, dans un environnement ou un local dangereux, menaçant ou périlleux; dans une telle éventualité, à la demande du consommateur, Thermador pourrait encore payer les frais de main-d'œuvre et de pièces et expédier les pièces au centre de réparation autorisé le plus près, mais le consommateur serait entièrement responsable pour tous les frais de déplacement et autres frais spéciaux encourus par le centre de réparation, en autant qu'il accepte la demande de réparation.

## Produit hors garantie

Thermador n'est pas tenue, légalement ou autrement, de faire des concessions, y compris des réparations, des partages de frais ou un remplacement du produit une fois la présente garantie expirée.

## Exclusions de garantie

La couverture de garantie décrite aux présentes exclut tous les défauts ou dommages dont Thermador n'est pas directement responsable, y compris, sans pour autant s'y limiter, l'un ou plusieurs des points suivants :

- L'utilisation du produit dans des conditions anormales ou inhabituelles, (y compris, de façon non exhaustive, toute forme d'utilisation commerciale, l'utilisation ou le stockage à l'extérieur d'un produit destiné à un usage interne, l'utilisation du produit conjointement avec des véhicules aériens ou nautiques);
- Une faute intentionnelle d'un tiers, la négligence, la mauvaise utilisation, l'utilisation abusive, des accidents, l'exploitation inadéquate, le manque d'entretien, la mauvaise installation, la falsification, le non respect des instructions d'utilisation, la manipulation sans précaution, les réparations non autorisées (y compris les réparations effectuées par l'utilisateur ou l'étude du fonctionnement interne de la machine par celui-ci);
- Réglage, modification ou altération de tout type ;
- Manquement à se conformer aux normes fédérales, provinciales, municipales ou électriques en vigueur au pays, aux codes de plomberie ou du bâtiment, aux réglementations ou aux lois, incluant le manquement d'installer le produit en stricte conformité avec les codes et les réglementations du bâtiment et d'incendie locaux.
- L'usure et la détérioration normales, les déversements d'aliments et de liquides, les accumulations de graisses ou d'autres substances sur, dans ou autour du produit ;
- Toute force ou tout facteur externe, élémentaire et/ou environnemental, incluant sans limitation, la pluie, le vent, le sable, les inondations, les incendies, les coulées de boue, le gel, l'humidité excessive ou l'exposition prolongée à l'humidité, la foudre, les surtensions, les problèmes de structure autour de l'appareil et les désastres naturels.

En aucun cas, Thermador ne sera tenue responsable de dommages matériels aux environs, incluant aux armoires, aux planchers, aux plafonds et aux autres objets ou structures avoisinant le produit. Également exclus de la garantie sont les produits dont les numéros de série ont été modifiés, effacés ou enlevés; les demandes de réparations pour enseigner le fonctionnement du produit ou les visites où il n'y a aucun problème avec le produit; la correction de problèmes d'installation (le consommateur est seul responsable pour toute structure et tout réglage du produit, incluant l'électricité, la plomberie et les autres raccordements nécessaires, pour une fondation/plancher approprié(e), et pour toute modification incluant, sans limitation, armoires, murs, planchers, tablettes, etc.) et le réenclenchement de disjoncteurs ou le remplacement de fusibles.

DANS LA MESURE OÙ LA LOI L'AUTORISE, CETTE GARANTIE DÉFINIT VOTRE RECOURS EXCLUSIF QUANT AU PRODUIT, QUELLE QUE SOIT LA NATURE DE LA DÉCLARATION, QU'IL S'AGISSE D'UN CONTRAT OU D'UN PRÉJUDICE (INCLUANT LA RESPONSABILITÉ ABSOLUE OU LA NÉGLIGENCE) OU AUTREMENT. LA

PRÉSENTE GARANTIE REMPLACE TOUTES LES AUTRES GARANTIES, EXPRESSES OU IMPLICITES. TOUTES GARANTIES IMPLICITES AUX TERMES DE LA LOI, INCLUANT LES GARANTIES DE QUALITÉ MARCHANDE OU D'APTITUDE À UN USAGE PARTICULIER, OU AUTREMENT, SONT LIMITÉES DANS LE TEMPS À LA DURÉE DE CETTE GARANTIE LIMITÉE EXPRESSE. LE FABRICANT NE SERA EN AUCUN CAS RESPONSABLE DE TOUTE « PERTE COMMERCIALE » IMMATÉRIELLE, PARTICULIÈRE, ACCESSOIRE, INDIRECTE, ET/OU DES DOMMAGES PUNITIFS, DES PERTES OU DES DÉPENSES, Y COMPRIS, SANS LIMITATION, L'ABSENCE AU TRAVAIL, LES FRAIS D'HOTÉLS ET/OU DE REPAS PRIS AU RESTAURANT, LES DÉPENSES DE RESTRUCTURATION EN SUS DES DOMMAGES DIRECTEMENT CAUSÉS PAR THERMADOR, OU AUTREMENT. CERTAINS ÉTATS N'AUTORISENT PAS L'EXCLUSION OU LA LIMITATION DE DOMMAGES ACCESSOIRES OU CONSÉCUTIFS, ET CERTAINS ÉTATS N'AUTORISENT PAS LA LIMITATION DE LA DURÉE DES GARANTIES IMPLICITES. PAR CONSÉQUENT, LES LIMITES SUSMENTIONNÉES POURRAIENT NE PAS VOUS CONCERNER. LA PRÉSENTE GARANTIE VOUS DONNE DES DROITS PRÉCIS RECONNUS PAR LA LOI ET VOUS POUVEZ ÉGALEMENT AVOIR D'AUTRES DROITS QUI VARIENT D'UN ÉTAT À L'AUTRE. Aucune tentative de modifier, changer ou amender la présente garantie ne peut être valide sans le consentement écrit autorisé par un dirigeant de BSH.

### **Comment bénéficier du service de garantie**

Pour obtenir un service sous garantie pour votre Produit, contactez le centre de service autorisé Thermador le plus proche de chez vous.



**Wi-Fi® Module**

**FCC/IC  
Statements**

**Model: COM2  
FCC ID: 2AHES-COM2  
IC: 21152-COM2**

The Home Connect module is a communication device designed to provide communication between appliances and smart devices.

This module is integrated at the factory, under direct control of B/S/H Home Appliances Corporation, and is not user serviceable or upgradable. At least 20cm separation distance should be maintained from device to user.

**FCC COMPLIANCE STATEMENT**

CAUTION: Changes or modifications not expressly approved could void your authority to use this equipment.

This device complies with Part 15 of the FCC Rules. Operation to the following two conditions: (1) This device may not cause harmful interference, and (2) this device must accept any interference received, including interference that may cause undesired operation.

**INDUSTRY CANADA STATEMENT**

This device complies with Industry Canada licence-exempt RSS standard(s). Operation is subject to the following two conditions: (1) this device may not cause interference, and (2) this device must accept any interference, including interference that may cause undesired operation of the device.

Operation in the band 5150-5250 MHz is only for indoor use to reduce the potential for harmful interference to co-channel mobile satellite systems.

Le présent appareil est conforme aux CNR d'Industrie Canada applicables aux appareils radio exempts de licence. L'exploitation est autorisée aux deux conditions suivantes : (1) l'appareil ne doit pas produire de brouillage, et (2) l'utilisateur de l'appareil doit accepter tout brouillage radioélectrique subi, même si le brouillage est susceptible d'en compromettre le fonctionnement.

La bande 5 150-5 250 MHz est réservés uniquement pour une utilisation à l'intérieur afin de réduire les risques de brouillage préjudiciable aux systèmes de satellites mobiles utilisant les mêmes canaux.

# THERMADOR® Support/Réparation/Servicio técnico

## Service

We realize that you have made a considerable investment in your kitchen. We are dedicated to supporting you and your appliance so that you have many years of creative cooking.

Please don't hesitate to contact our STAR® Customer Support Department if you have any questions or in the unlikely event that your THERMADOR® appliance needs service. Our service team is ready to assist you.

## Parts & Accessories

Parts, filters, descalers, stainless steel cleaners and more can be purchased in the THERMADOR® eShop or by phone.

### USA

Service  
800-735-4328  
[www.thermador.com/support](http://www.thermador.com/support)

Parts & Accessories  
[www.thermador-eshop.com](http://www.thermador-eshop.com)

### Canada

Service  
800-735-4328  
[www.thermador.ca](http://www.thermador.ca)

Parts & Accessories  
AP Wagner - 800-287-1627  
or  
Reliable Parts - 800-663-6060

## Réparation

Nous comprenons que vous avez fait un investissement important pour votre cuisine. C'est pourquoi nous nous engageons à offrir un service de qualité à vous comme à votre appareil afin de vous garantir des années de créativité dans votre cuisine.

N'hésitez pas à contacter notre département du service à la clientèle STAR<sup>MD</sup> si vous avez des questions ou dans le cas peu probable que votre appareil THERMADOR<sup>MD</sup> nécessite une réparation. Notre équipe de réparation est prête à vous aider.

## Pièces et accessoires

Plusieurs pièces, filtres, détartrants et nettoyeurs pour l'acier inoxydable sont offerts dans la boutique électronique eShop de THERMADOR<sup>MD</sup> ou par téléphone.

### États-Uni

Réparation  
800-735-4328  
[www.thermador.com/support](http://www.thermador.com/support)

Pièces et accessoires  
[www.thermador-eshop.com](http://www.thermador-eshop.com)

### Canada

Réparation  
800-735-4328  
[www.thermador.ca](http://www.thermador.ca)

Pièces et accessoires  
AP Wagner - 800-287-1627  
ou  
Reliable Parts - 800-663-6060

## Servicio técnico

Sabemos que usted ha realizado una inversión considerable en su cocina. Nos dedicamos a brindar asistencia técnica para usted y su electrodoméstico de manera que tenga muchos años de cocina creativa.

No dude en comunicarse con nuestro Departamento de Atención al Cliente de STAR® si tiene alguna pregunta o en el caso poco probable de que su electrodoméstico THERMADOR® necesite servicio técnico. Nuestro equipo de servicio técnico está listo para asistirlo.

## Piezas y accesorios

Puede comprar piezas, filtros, productos para eliminar el sarro, limpiadores para acero inoxidable y más artículos en la tienda electrónica de THERMADOR® o por teléfono.

### EE. UU.

Servicio técnico  
800-735-4328  
[www.thermador.com/support](http://www.thermador.com/support)

Piezas y accesorios  
[www.thermador-eshop.com](http://www.thermador-eshop.com)

### Canada

Servicio técnico  
800-735-4328  
[www.thermador.ca](http://www.thermador.ca)

Piezas y accesorios  
AP Wagner - 800-287-1627  
o  
Reliable Parts - 800-663-6060



190 1 MAIN STREET , SUITE 600 IRVINE, CA 92 614 // 1-800-735-4328 // WWW.THERMADOR.COM  
© 2022 BSH HOME APPLIANCES CORPORATION  
9001682535 en-us, fr-ca rev.A 0204