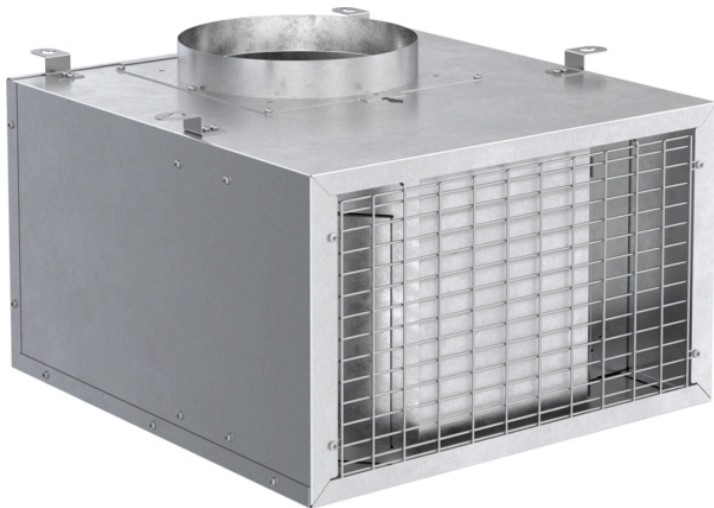


1000 CFM Remote Blower
VTR2FZ



Product Features

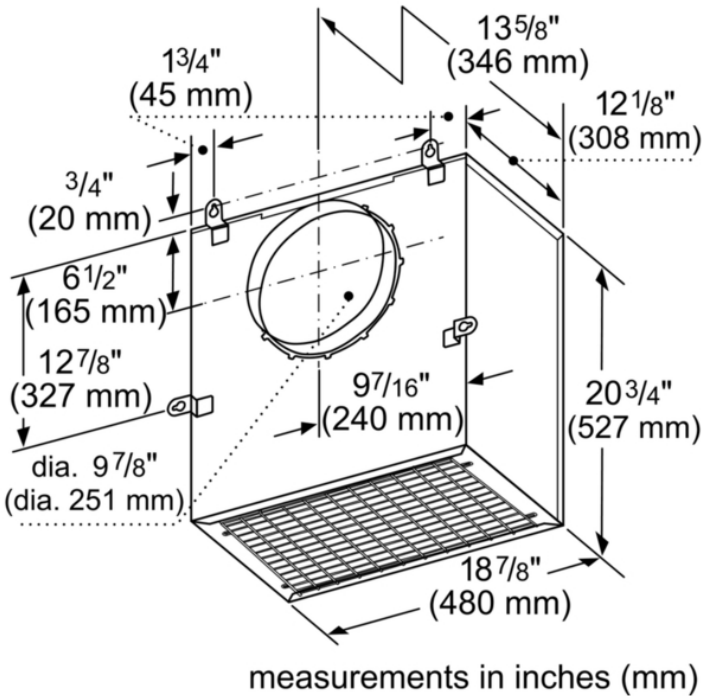


Notes: Please refer to installation instructions. Installation instructions are available at www.thermador.com. Specifications are correct at the time of printing. Thermador reserves the right to change product specifications and design at any time, without notice.

1 800 735 4328 | WWW.THERMADOR.COM | 1901 Main Street, Suite 600 Irvine, CA 92614

©2023 BSH HOME APPLIANCES CORPORATION, ALL RIGHTS RESERVED LITHO DATE: 05/2023

1000 CFM Remote Blower
VTR2FZ



Product Features

Product group	Accessory
Brand	Thermador
SKU	VTR2FZ
Internal article number	VTR2FZ
EAN code	825225964919
Product packaging dimensions (HxWxD)	18.2" x 27.2 x 24.2
Net weight	38.000
Gross weight	43.000
UPC code	825225964919
Product image	19805503_VTR2FZ_Front_Facing_def.jpg

Technical Specification

Notes: Please refer to installation instructions. Installation instructions are available at www.thermador.com. Specifications are correct at the time of printing. Thermador reserves the right to change product specifications and design at any time, without notice.

1 800 735 4328 | WWW.THERMADOR.COM | 1901 Main Street, Suite 600 Irvine, CA 92614

©2023 BSH HOME APPLIANCES CORPORATION, ALL RIGHTS RESERVED LITHO DATE: 05/2023