

CIT365YB

36-INCH INDUCTION COOKTOP

MASTERPIECE® SERIES, BLACK GLASS, FRAMELESS



FEATURES & BENEFITS

- ★ - Large 13" round heating element and the most powerful (5,500 W) in its class
- ★ - Industry exclusive triple zone element—allows you to match element size to various sized cookware
 - PowerBoost® feature increases element power by up to 50%, saving time to heat up pots or cook large quantities
 - Residual heat indicator shows what cooking zones are still hot
 - Illuminated touch controls with 17 power settings is highly precise and allows for easy cleaning

ACCESSORIES (OPTIONAL)



CHEFSPAN13
16" Round Skillet



CHEFSPAN08
10" Stainless Steel Pan

GENERAL PROPERTIES

Controls	Touch Controls
----------	----------------

ELEMENT PERFORMANCE

Power of Front Left Heating Element	1,800 W
Power of Front Left Heating Element (In Boost)	3,100 W
Power of Back Left Heating Element	1,800 W
Power of Back Left Heating Element (In Boost)	3,100 W
Power of Center Heating Element	3,300 / 2,600 / 2,200 W
Power of Center Heating Element (In Boost)	5,500 / 4,400 / 3,700 W
Power of Front Right Heating Element	2,200 W
Power of Front Right Heating Element (In Boost)	3,700 W
Power of Back Right Heating Element	1,400 W
Power of Back Right Heating Element (In Boost)	2,200 W
Burners With Booster	All 5

ELEMENT SIZE

Dimension of Front Left Heating Element	7"
Dimension of Back Left Heating Element	7"
Dimension of Center Heating Element	13", 11", 9"
Dimension of Back Right Heating Element	6"
Dimension of Front Right Heating Element	9"

TECHNICAL DETAILS

Watts (W)	11,100 W
Circuit Breaker (A)	50 A
Volts (V)	208 / 240 V
Frequency (Hz)	50 / 60 Hz
Plug Type	No Plug
Conduit	39" Flexible 3-Wire
Energy Source	Electric

DIMENSIONS & WEIGHT

Overall Appliance Dimensions (HxWxD) (in)	3/8" + 3 7/8" x 37" x 21 1/4"
Required Cutout Size (HxWxD) (in)	3 7/8" x 34 3/4" x 19 7/8"
Minimum Distance From Counter Front (in)	2 1/2"
Minimum Distance From Rear Wall (in)	2 3/8"
Net Weight (lbs)	52 lbs

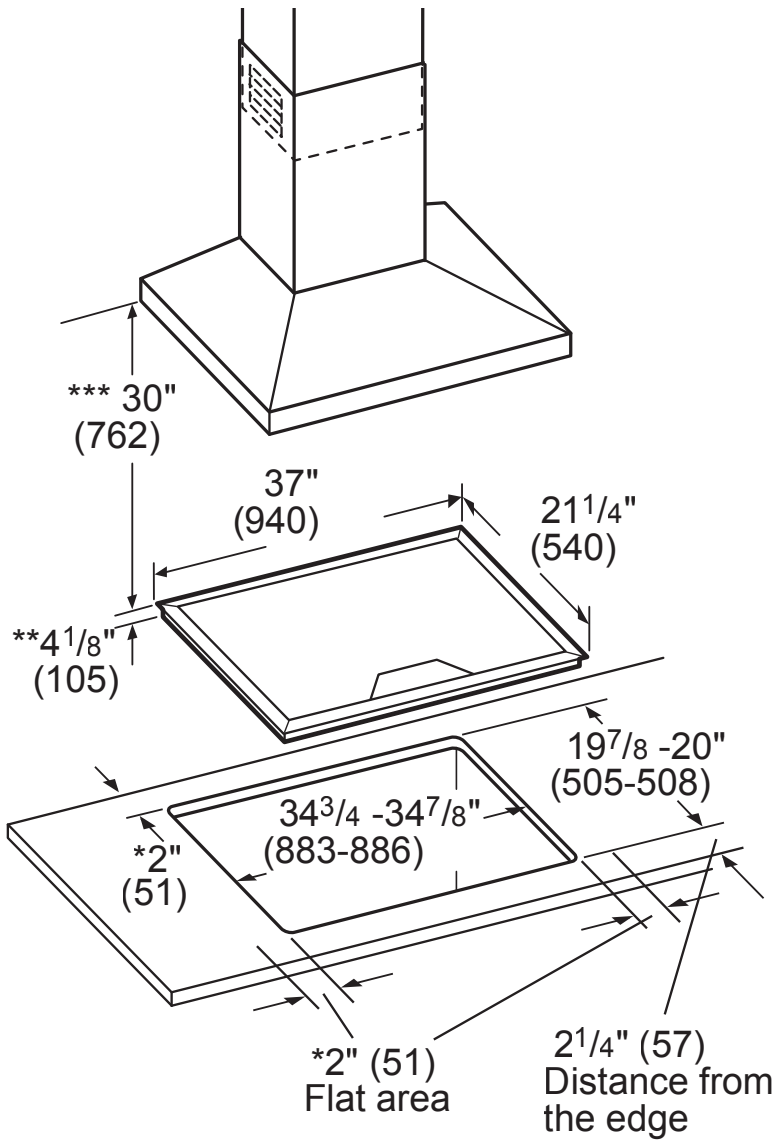
WARRANTY

Limited Warranty, Entire Appliance, Parts and Labor	2 Year
---	--------

CIT365YB
36-INCH INDUCTION COOKTOP
 MASTERPIECE® SERIES, BLACK GLASS, FRAMELESS



36-INCH COOKTOP AND CUTOUT DIMENSIONS



- * Minimum clearance from cutout to wall
- ** Installed depth includes a gap of 1" (26 mm) for ventilation
- *** Minimum clearance between the cooktop surface and lower edge of the exhaust hood.

measurements in inches (mm)

NOTE: The work surface should be horizontal and level. The stability of the countertop should be confirmed even after making the cutout.

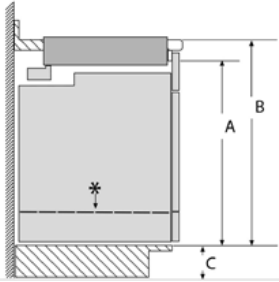
CIT365YB

36-INCH INDUCTION COOKTOP

MASTERPIECE® SERIES, BLACK GLASS, FRAMELESS



INSTALLATION ABOVE A THERMADOR WALL OVEN

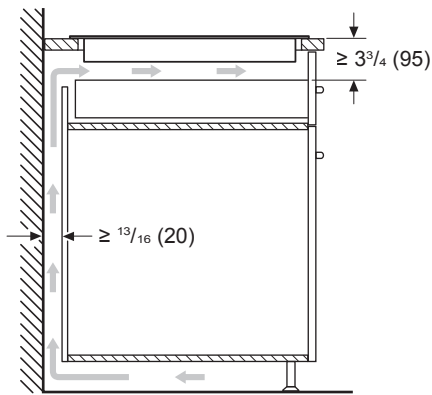


Product Type	A Inches (mm)	B min. Inches (mm)	C max. Inches (mm)
Conventional Oven	28 1/4 (718)	31 1/4 (794) min.	4 3/4 (121)
Steam Oven	25 1/16 (636)	28 1/16 (713)	7 15/16 (202)
Steam Oven with 4" Storage Drawer*	28 1/4 (718)	31 1/4 (794) min.	4 3/4 (121)
Microwave / Speed Oven	19 1/4 (488)	24 (609) min.	12" (306)
Microwave / Speed Oven with Warming drawer*	28 1/4 (718)	31 1/4 (794) min.	4 3/4 (121)

When installing an oven or oven with a drawer in combination with a cooktop, a minimum distance between the cabinet floor and countertop (B) is required. Reference the table for dimensions. Refer to the oven installation guide for all other measurements.

VENTILATION CLEARANCE REQUIREMENTS

Measurements in inches (mm)



These warranties give you specific legal rights and you may have other rights that vary from state to state. Full warranty and limited warranty from date of installation. For complete warranty details, refer to your Use & Care manual, or ask your dealer.

Specifications are for planning purposes only. Refer to installation instructions and consult your countertop supplier prior to making counter opening. Consult with a heating and ventilation engineer for your specific ventilation requirements. For the most detailed information, refer to installation instructions accompanying product or write to Thermador indicating the model number. Specifications are correct at time of printing. Thermador reserves the right to change product specifications or design without notice. Some models are certified for use in Canada. Thermador is not responsible for products that are transported from the U.S. for use in Canada.