

# T24UW925RS

## UNDER-COUNTER WINE RESERVE WITH GLASS DOOR

PROFESSIONAL SERIES HANDLE – RIGHT HINGED



Also Available:

- T24UW925LS – Left Hinged with Professional Series Handle
- T24UW915LS – Left Hinged with Masterpiece® Series Handle
- T24UW915RS – Right Hinged with Masterpiece® Series Handle
- T24UW905LP – Left Hinged Custom Panel-Ready
- T24UW905RP – Right Hinged Custom Panel-Ready

### FEATURES & BENEFITS

- Dual zone wine storage with adjustable temperature zones
- Full-extension wine racks
- UV resistant tempered glass door
- SoftClose® door hinges for ultra-smooth closing of the door
- LED theater lighting
- Touch electronic controls for precise temperature management

### GENERAL PROPERTIES

UV Resistant Glass Door	Yes
Reversible Door Swing	Left and Right Available
SoftClose® Door Hinges	Yes
Lighting	Adjustable LED Lighting
Bottle Shelves	6
Shelf Material	Wenge Triangular Hardwood dowels w/ Aluminum Front Caps
Full Extension Wine Racks	Yes
Dual Zone Wine Storage	Yes
Door Open Alarm	Yes
Touch Electronic Controls	Yes
STAR-K Certified Sabbath Mode	Yes

### CAPACITY

Number of Bottles	41
-------------------	----

### TEMPERATURE RANGES

Upper Zone	40°F (3°C) to 54°F (12°C)
Lower Zone	40°F (4.5°C) to 64°F (18°C)

### TECHNICAL DETAILS

Watts (W)	150 W
Current (A)	15 Amp
Volts (V)	115 V
Frequency (Hz)	60 Hz
Power Cord Length (in.)	60"
Plug Type	120V 3-Wire

### DIMENSIONS & WEIGHT

Appliance Dimensions (H x W x D) (in.)	34 3/8" x 23 7/8" x 23 5/8"
Required Cutout Size (H x W x D) (in.)	34 1/2"–35 1/4" x 24" x 24"
Net / Gross Weight (lbs.)	140 / 151 lbs.

### EFFICIENCY

Annual Energy Consumption	155 kWh
---------------------------	---------

### WARRANTY

Limited, Entire Appliance, Parts and Labor on any Part of the Refrigerator that Fails Because of a Manufacturing Defect

2 Year

Limited Warranty for Sealed Refrigeration System\*\*; Parts and Labor

3rd to 6th Year

Limited Warranty for Sealed Refrigeration System\*; Parts Only

7th to 12th Year

\*Height adjustable + 1/2" (13 mm) with legs fully extended

\*\*Sealed refrigeration system includes compressor, evaporator, condenser, dryer / strainer and connection tubing

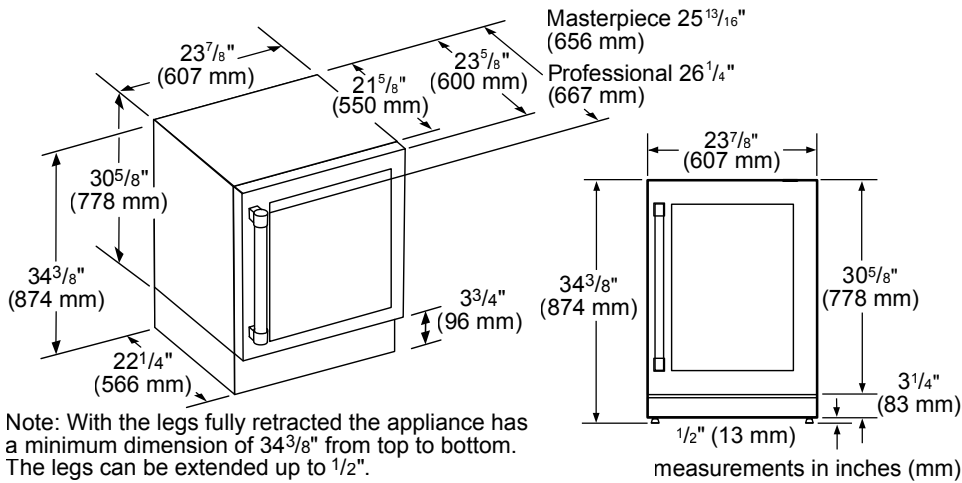
# T24UW925RS

## UNDER-COUNTER WINE RESERVE WITH GLASS DOOR

PROFESSIONAL SERIES HANDLE – RIGHT HINGED

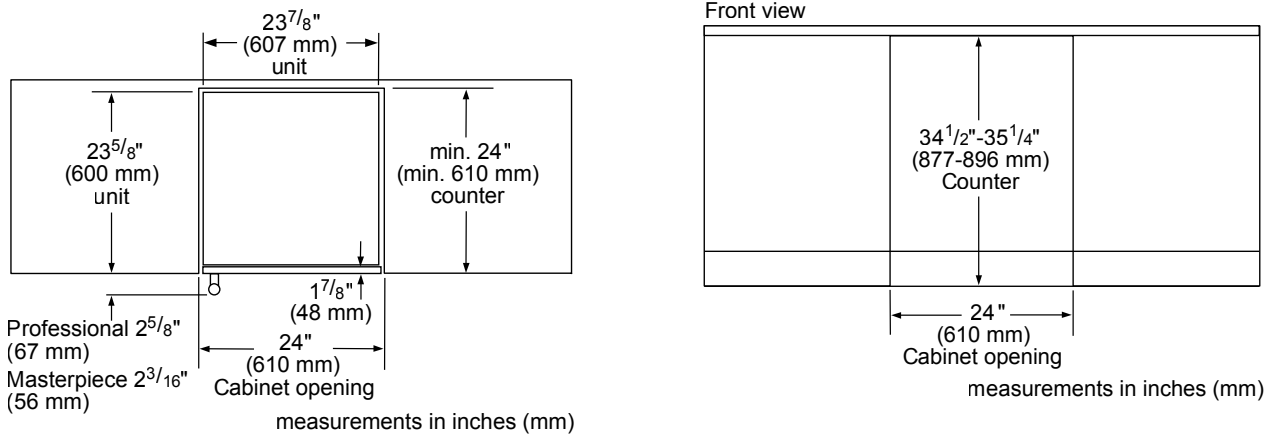


### GLASS DOOR WINE RESERVE PRODUCT DIMENSIONS

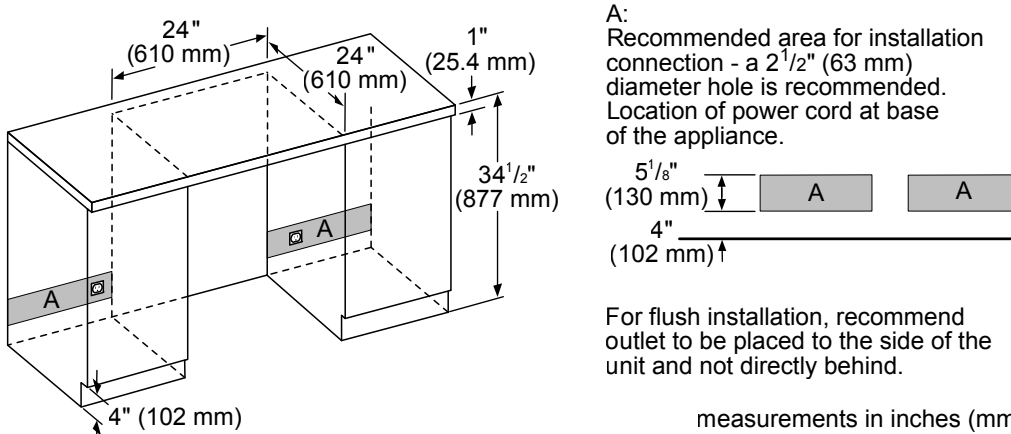


Note: With the legs fully retracted the appliance has a minimum dimension of 34<sup>3</sup>/<sub>8</sub>" from top to bottom. The legs can be extended up to 1/2".

### GLASS DOOR WINE RESERVE CUTOUT DIMENSIONS



### GLASS DOOR WINE RESERVE CUTOUT DIMENSIONS & ELECTRICAL LOCATION



For flush installation, recommend outlet to be placed to the side of the unit and not directly behind.

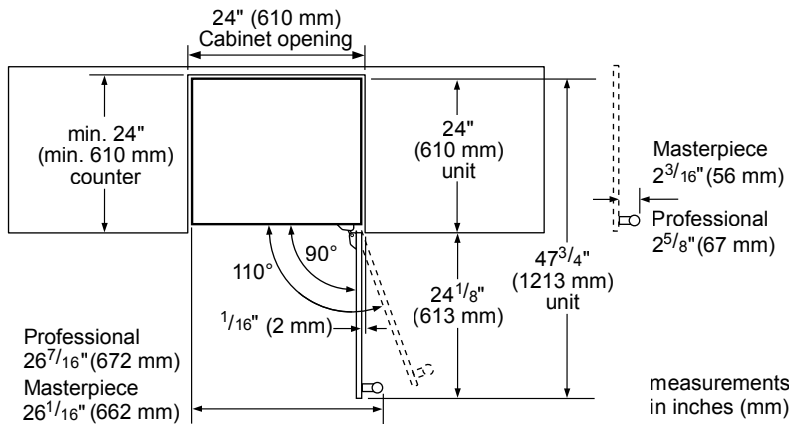
# T24UW925RS

## UNDER-COUNTER WINE RESERVE WITH GLASS DOOR

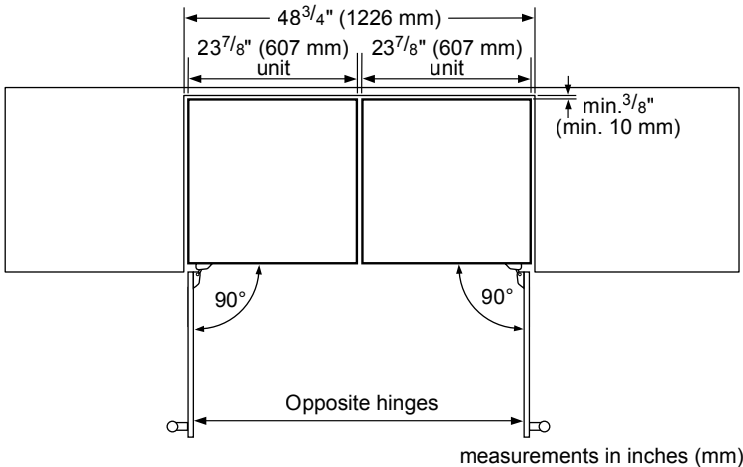
### PROFESSIONAL SERIES HANDLE – RIGHT HINGED



#### GLASS DOOR WINE RESERVE CUTOUT & DOOR SWING DIMENSIONS



#### GLASS DOOR WINE RESERVE SIDE-BY-SIDE INSTALLATION



These warranties give you specific legal rights and you may have other rights that vary from state to state. Limited warranty from date of delivery. For complete warranty details, refer to your Use & Care manual, or ask your dealer.

Specifications are for planning purposes only. Refer to installation instructions and consult your countertop supplier prior to making counter opening. Consult with a heating and ventilation engineer for your specific ventilation requirements. For the most detailed information, refer to installation instructions accompanying product or write to Thermador indicating the model number. Specifications are correct at time of printing. Thermador reserves the right to change product specifications or design without notice. Some models are certified for use in Canada. Thermador is not responsible for products that are transported from the U.S. for use in Canada.