

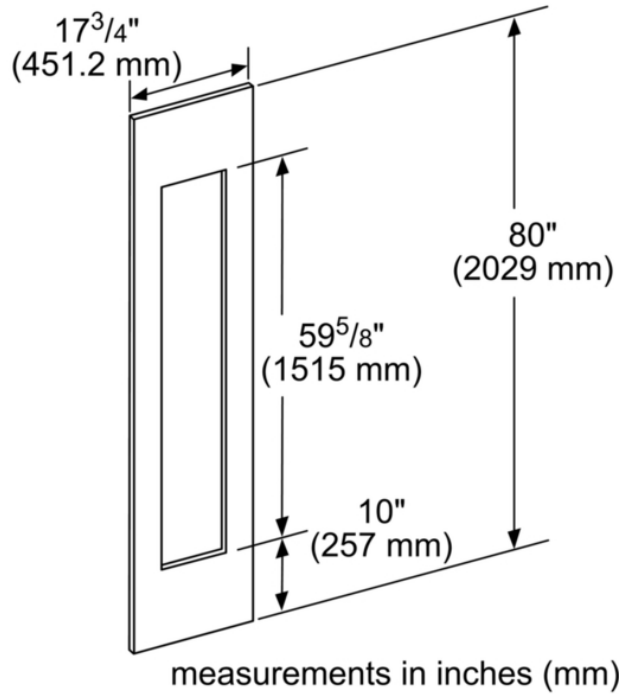
Product Features



Notes: Please refer to installation instructions. Installation instructions are available at www.thermador.com. Specifications are correct at the time of printing. Thermador reserves the right to change product specifications and design at any time, without notice.

1 800 735 4328 | WWW.THERMADOR.COM | 1901 Main Street, Suite 600 Irvine, CA 92614

©2023 BSH HOME APPLIANCES CORPORATION, ALL RIGHTS RESERVED LITHO DATE: 06/2023



Product Features

Product group	Accessory
Brand	Thermador
SKU	TFL18IW905
Internal article number	00000000023000324
EAN code	825225956488
Product packaging dimensions (HxWxD)	4.33 x 85.43 x 26.96
Net weight	18.000
Gross weight	37.000
Standard number of units per pallet	12
UPC code	825225956488
Product image	MCSA02537163_i5940_1905572_TFL18IW905_PG

Technical Specification

Notes: Please refer to installation instructions. Installation instructions are available at www.thermador.com. Specifications are correct at the time of printing. Thermador reserves the right to change product specifications and design at any time, without notice.