

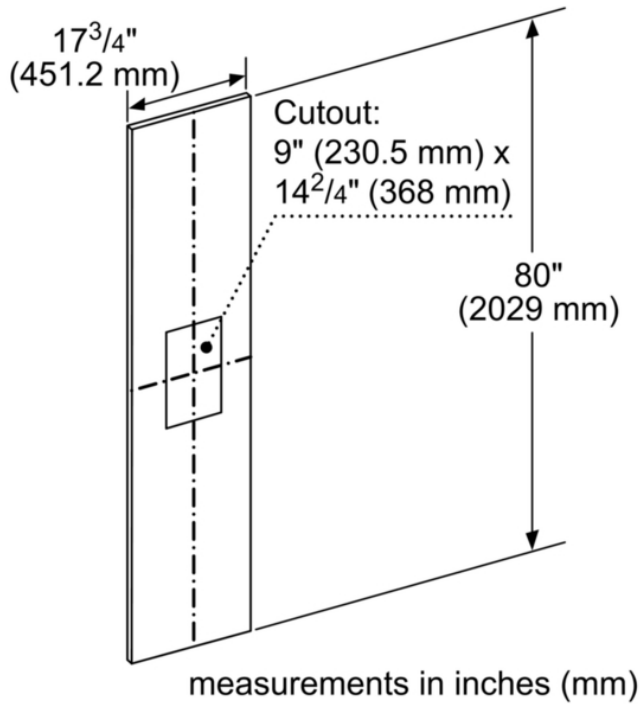
Product Features



Notes: Please refer to installation instructions. Installation instructions are available at www.thermador.com. Specifications are correct at the time of printing. Thermador reserves the right to change product specifications and design at any time, without notice.

1 800 735 4328 | WWW.THERMADOR.COM | 1901 Main Street, Suite 600 Irvine, CA 92614

©2023 BSH HOME APPLIANCES CORPORATION, ALL RIGHTS RESERVED LITHO DATE: 06/2023



Product Features

Product group	Accessory
Brand	Thermador
SKU	TFL18ID905
Internal article number	00000000023000322
EAN code	825225956433
Product packaging dimensions (HxWxD)	4.33 x 85.43 x 27.16
Net weight	31.000
Gross weight	50.000
Standard number of units per pallet	12
UPC code	825225956433
Product image	MCSA02537115_i5937_1905523_TFL18ID905_PGA2

Technical Specification

Notes: Please refer to installation instructions. Installation instructions are available at www.thermador.com. Specifications are correct at the time of printing. Thermador reserves the right to change product specifications and design at any time, without notice.