

Installation

INSTRUCTIONS

Professional Island Hoods



Installation

INSTRUCTIONS

Professional Island Hoods

Table of contents (English)	1
Table de matières (Français)	19
Índice de materias (Español)	38

Models |
Modèles |
Modelos:

HPIN42WS
HPIN54WS

Table of contents

Safety instruction	2
Important safety instructions	2
Advanced planning	4
Before you begin	4
General information	5
Installation instructions	6
Installation considerations	6
Electrical requirements	7
Ductwork preparation	7
Choosing the correct blower	10
Attaching the hood transition	10
Hood installation	11
Blower motor installation	13
Electrical wire routing and connection	14
EXTNCB25W 25 ft. remote and in-line blower extension cable (optional)	14
Make-up air damper relay switch (optional)	14
Built-in remote control accessory (optional)	15
Installing the telescopic flue	16
Installing grease trays and filters	17
Installer checklist and service	18
Installer checklist	18
Before calling service	18
Product data rating plate	18
Support, parts, and accessories	back page

This THERMADOR® appliance is made by
BSH Home Appliances Corporation
1901 Main Street, Suite 600
Irvine, CA 92614

Questions?

1-800-735-4328

www.thermador.com or www.thermador.ca

We look forward to hearing from you!

⚠ IMPORTANT SAFETY INSTRUCTIONS

READ AND SAVE THESE INSTRUCTIONS

All product manuals may be downloaded online at www.thermador.com/us/support/owner-manuals or www.thermador.ca/en/support/owner-manuals.

INSTALLER: Please leave these instructions with this unit for the owner.

OWNER: Please retain these instructions for future reference. Read all safety instructions before operating the appliance. Have the installer show you where the electric circuit breaker and the gas supply shut-off valve are located so you know how and where to turn off the gas and electricity to the appliance.

Safety definitions

⚠ **WARNING:** This indicates that death or serious injuries may occur as a result of non-observance of this warning.

⚠ **CAUTION:** This indicates that minor or moderate injuries may occur as a result of non-observance of this warning.

NOTICE: This indicates that damage to the appliance or property may occur as a result of non-compliance with this advisory.

Note: This alerts you to important information and/or tips.

WARNING



If the information in this manual is not followed exactly, a fire or explosion may result causing property damage, personal injury or death.

- **DO NOT store or use gasoline or other flammable vapors and liquids in the vicinity of this or any other appliance.**
- **WHAT TO DO IF YOU SMELL GAS**
 - **DO NOT** try to light any appliance.
 - **DO NOT** touch any electrical switch.
 - **DO NOT** use any phone in your building.
 - **Immediately call your gas supplier from a neighbor's phone. Follow the gas supplier's instructions.**
 - **If you cannot reach your gas supplier, call the fire department.**
- **Installation and service must be performed by a qualified installer, service agency or the gas supplier.**

WARNING

Turn off power circuit at service panel and lock out panel before wiring this appliance. Requirement: 120 VAC, 60 Hz, 15 A or 20 A for some models. Allow the appliance to cool after the power has been turned off before servicing the appliance.

WARNING

Automatically operated device

To reduce the risk of injury disconnect from power supply before servicing.

WARNING: TO REDUCE THE RISK OF FIRE, ELECTRIC SHOCK, OR INJURY TO PERSONS, OBSERVE THE FOLLOWING:

- Use this unit only in the manner intended by the manufacturer. If you have questions, contact the manufacturer.
- Before servicing or cleaning unit, switch power off at service panel and lock the service disconnecting means to prevent power from being switched on accidentally. When the service disconnecting means cannot be locked, securely fasten a prominent warning device, such as a tag, to the service panel. Contact the manufacturer at the address or telephone number listed on the back page.

WARNING

DO NOT repair or replace any part of the appliance unless specifically recommended in the manuals. Improper installation, service or maintenance can cause injury or property damage. Refer to this manual for guidance. All other servicing should be done by an authorized service provider.



WARNING: ELECTRICAL SHOCK HAZARD

- **DO NOT** remove connections.
- **DO NOT** use an extension cord.
- Improper grounding can result in a risk of electric shock.
- Failure to follow these instructions can result in death, fire, or electrical shock.

IMPORTANT SAFETY INSTRUCTIONS

READ AND SAVE THESE INSTRUCTIONS

Grounding instructions

This appliance must be grounded. In the event of an electrical short circuit, grounding reduces the risk of electric shock by providing an escape wire for the electric current.

Be sure your appliance is properly installed and grounded by a qualified technician. Installation, electrical connections and grounding must comply with all applicable codes.

If required by the National Electrical Code (or Canadian Electrical Code), this appliance must be installed on a separate branch circuit.

WARNING

To reduce the risk of fire or electric shock, **DO NOT** use this appliance with any solid-state speed control devices.

Safety codes and standards

This appliance complies with one or more of the following Standards:

- UL 507, The Standard for the Safety of Electric Fans
- CSA C22.2 No. 113, Fans and Ventilators

It is the responsibility of the owner and the installer to determine if additional requirements and/or standards apply to specific installations.

CAUTION



Unit is heavy and requires at least two people or proper equipment to move and install.

Hidden surfaces may have sharp edges. Use caution when handling the appliance. Failure to do so may result in property damage or personal injury.

Never modify or alter the construction of the appliance. For example, do not remove panels, wire covers or brackets/screws.

CAUTION

For general ventilating use only. **DO NOT** use to exhaust hazardous or explosive materials and vapors. To reduce the risk of fire, use only metal ductwork.

Remove all tape and packaging before using the appliance. Dispose of packaging in an environmentally-responsible manner. Never allow children to play with packaging material.

WARNING

TO REDUCE THE RISK OF FIRE, ELECTRIC SHOCK, OR INJURY TO PERSONS, OBSERVE THE FOLLOWING:

- Installation work and electrical wiring must be done by qualified person(s) in accordance with all applicable codes and standards, including fire-rated construction.
 - Sufficient air is needed for proper combustion and exhausting of gases through the flue (chimney) of fuel burning equipment to prevent back drafting. Follow the heating equipment manufacturer's guideline and safety standards such as those published by the National Fire Protection Association (NFPA), and the American Society for Heating, Refrigeration and Air Conditioning Engineers (ASHRAE), and the local code authorities.
 - When cutting or drilling into wall or ceiling, do not damage electrical wiring and other hidden utilities.
 - Ducted fans must always be vented to the outdoors.
 - **USE ONLY METAL DUCTWORK.**
 - **DO NOT** vent exhaust air in spaces with walls or ceilings or into attics, crawl spaces or garages.
-

CAUTION

An outside fan is to be mounted behind louvers or in a location where the entrance of drawn in water is unlikely.

Proposition 65 Warning

This product may contain a chemical known to the State of California, which can cause cancer or reproductive harm. Therefore, the packaging of your product may bear the following label as required by California:

State of California Proposition 65 Warning:

 **WARNING**

Cancer and Reproductive Harm -
www.P65Warnings.ca.gov

Advanced planning

Before you begin

⚠ WARNING

Improper installation of gas appliances and ventilation hoods can create a risk for carbon monoxide which can be harmful. To reduce the risk of carbon monoxide poisoning, ensure the gas appliance is properly installed according to the manufacturer's instructions, as well as ensuring the hood is vented to the outside for proper exhausting of gases or fumes.

Gas cooking appliances release carbon monoxide that can be harmful or fatal if inhaled. To reduce the risk of fire and to properly exhaust air, the exhaust gases extracted by the hood should be vented outside of the building only.

Consult local building codes for requirements or restrictions related to installation of ventilation products in recirculation mode.

Hood installation height above a cooktop, rangetop or range can vary. To obtain the necessary installation height above a cooktop, rangetop or range, consult the appliance's installation manual or combination matrix.

NOTICE: The hood can be damaged from excessive heat if a range or rangetop is operated with multiple burners at high settings under a hood that is installed at minimum clearances and is turned off.

Distance from cooking surface

The installation height above a cooktop, rangetop or range is recommended as a minimum height of 30" (762 mm); however, it is necessary to follow the cooking appliance manufacturer's installation instructions for proper hood height.

Refer to local building codes for the latest requirements or restrictions when installing ventilation products in recirculation mode.

Parts included

- Metal transition with backdraft damper
- Baffle filters
- Grease trays
- Filter spacers
- Support frame
- Telescopic flue
- Blower adapter
- Fastener assortment*

* Hardware provided is for mounting through standard thickness drywall or plaster into wood studs. Installers are responsible to provide hardware for other types of mounting situations.

Tools and parts needed

- Blower (refer to the *Ventilation Planning Guide* for compatible blowers)
- Ducting as needed (refer to *Equivalent Duct Lengths for Commonly Used Transitions* table)
- Aluminum tape (**DO NOT use duct tape.**)
- 1/2" (13 mm) conduit if required (follow local codes)
- 1" (25.4 mm) Strain relief
- Cross-head screwdriver
- T-20 star-head screwdriver
- 11/32" nut driver or socket and ratchet
- Drill with 3/16" and 1/4" drill bits
- Wire stripper
- Tape measure
- Protective work gloves

IMPORTANT: DO NOT throw away any packaging until appliance is fully installed.

Optional accessories available for separate purchase.

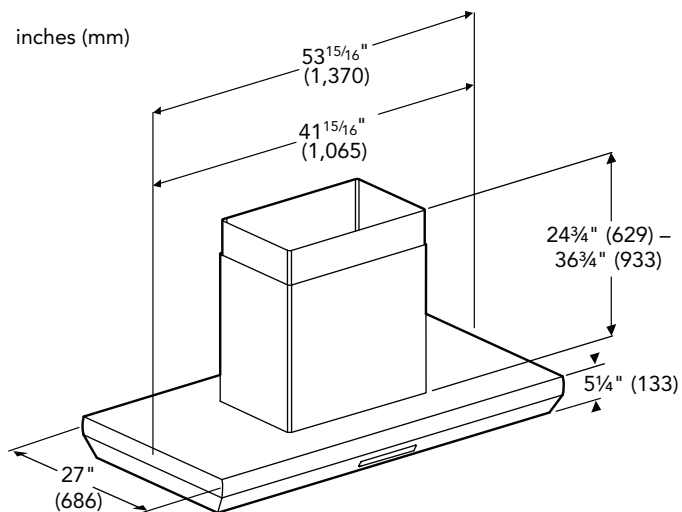
Refer to www.thermador.com for more details.

Accessories	Description
EXTNCB25W	25 ft. remote and in-line blower extension cable
EXTNSET4	25 ft. remote and in-line blower extension cable adapter kit
RFPLT600P	Roof plate for use with remote blower VTR1FZ
RFPLT1000P	For use with remote blower VTR2FZ
REMCPW	Remote control panel

General information

Overall dimensions

HPINxxWS – This model series is 27" (686 mm) in depth and features brushed stainless-steel canopy, telescopic chimney flue, with LED lights.



NOTE: Transition is centered horizontally.

IMPORTANT: The hood needs to be centered over the cooking surface for best performance.

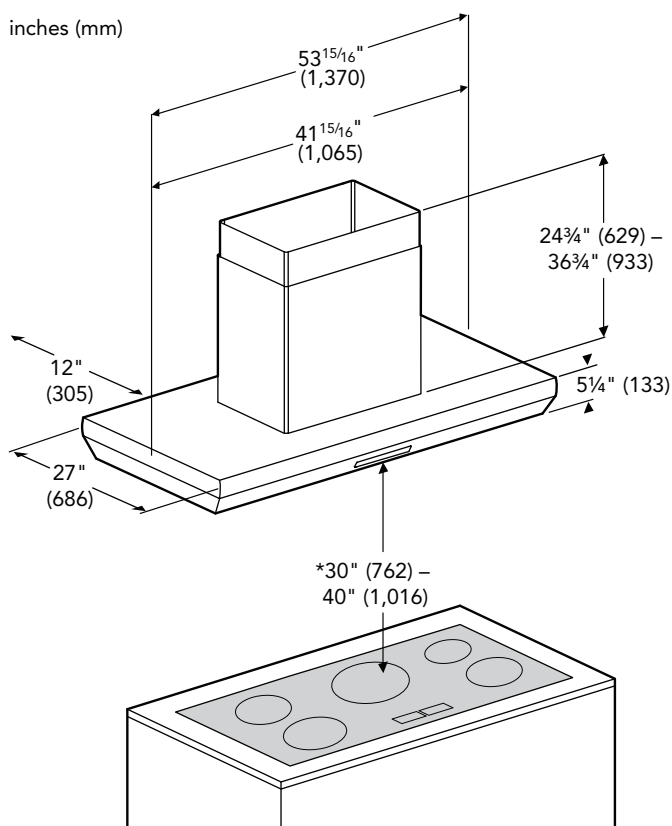
Installation instructions

Installation considerations

Clearances and requirements

The island hood requires the ducting to be vented to the outside. It cannot be used in conjunction with a recirculation unit.

Hood installation height above a cooktop, rangetop or range can vary. To obtain the necessary installation height above a cooktop, rangetop or range, consult the appliance's installation manual.



*Follow cooking appliance manufacturer's recommendations.

Hood width

- This hood is intended only for an island type installation. There is a minimum distance of 12" (305 mm) from the back wall to the edge of the island hood.
- The hood width should be no less than the width of the cooking surface. For proper performance, the housing must cover the entire cooking surface.
- For proper performance, the hood must be centered horizontally above the cooking surface. Where space is not restricted, a wider hood can be used to increase capture area.

Distance from cooking surface

- Hood installation height above a cooktop, rangetop or range can vary.
- The installation height ranges from a minimum height of 30" (762 mm) to a suggested maximum height of 40" (1,016 mm). However, it is necessary to follow the cooking appliance manufacturer's installation instructions for proper hood height.

NOTICE: The hood could incur some damage from heat if a Thermador Professional® series range or rangetop is operated with multiple burners at high settings under a hood that is installed at minimum clearances while the hood is turned off.

Unit weight

- This vent hood is heavy. Adequate structure and support must be provided in all types of installations.
- When calculating the load for the housing support system, be sure to consider the weight of the ventilation unit.

Description	Weight
HPIN42WS	105 lbs. (47.6 kg)
HPIN54WS	122 lbs. (55.3 kg)

NOTICE:

The supplied weights address only the ventilation unit and blower. Installer must account for weight of any materials of construction when calculating the total dead weight load of installation, including but not limited to: wall, tile, mortar, plaster, brick, finishes, partitions, and other similarly incorporated architectural and structural items. It is the responsibility of the owner and the installer to determine if additional requirements and/or standards apply to specific installations.

Support structure

- Framing must be fastened together and to ceiling joists to provide enough structural strength to support the weight of the hood and internal blower, if applicable.
- Wall framing should be, at minimum, made of 2" x 4" lumber. Proper structural support is required to accommodate the weight of the hood.

Venting

- The hood requires the ducting to be vented to the exterior of the building.

Electrical requirements

⚠ WARNING

The appliance must be grounded.

- The unit requires a 120V AC, 60Hz, 15A branch circuit.
- The hood should only be connected to a dedicated circuit (with ground) that has been installed according to relevant regulations.
- When connected to a GFCI-protected supply, Thermador Professional® hoods are suitable for use in damp locations that are protected from outside weather conditions and not subject to saturation with water and other liquids, but can be subject to moderate degrees of moisture (such as an outdoor covered patio or lanai area). Refer to local codes, NEC/CEC, and or the Authority Having Jurisdiction (AHJ) for additional information.
- Check your local building codes for proper method of installation. This unit should be installed in accordance with applicable local codes or, in the absence of local codes, with the National Electrical Code, NFPA 70 or the Canadian Electric Code, CSA C22.1-02.
- The 25 ft. remote and in-line blower extension cable accessory (EXTNCB25W) will only work for distances up to 25 ft. The accessory cable must be purchased separately. **DO NOT** use more than one blower extension cable per installation.

Electrical data


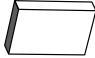

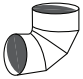
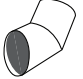
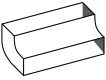
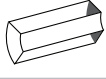

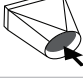

- Data, including the model (E-Nr) and serial number, is located on the product data rating plate inside the appliance, visible after removal of the filter frame (see "Installer checklist and service" on page 18").

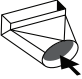
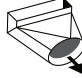
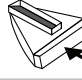

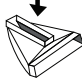



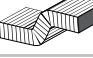

Ductwork preparation

- The exhaust air is discharged upwards through a duct or directly through the outside wall into the open.
- The hood can be mounted on the wall only with a vertical discharge.
- Proper performance is dependent upon proper ducting. Local building codes may require the use of make-up air systems when using ducted ventilation systems greater than specified cubic feet per minute (CFM) of air movement.
- The specified CFM varies from locale to locale. It is the responsibility of the owner and the installer to determine if additional requirements and/or standards apply to specific installations.
- **DO NOT USE FLEXIBLE DUCT**; it creates back pressure/air turbulence and reduces performance.
- Always install a metal vent cover where the ductwork exits the house.
- Hood must be vented to the outside of building only.

- **COLD WEATHER** installations should have an additional backdraft damper installed to minimize backward cold air flow and a nonmetallic thermal break to minimize conduction of outside temperatures as part of the ductwork. The damper should be on the cold air side of the thermal break. The break should be as close as possible to where the ducting enters the heated portion of the house.
- **MAKE-UP AIR:** Local building codes may require the use of make-up air systems when using ducted ventilation systems greater than specified CFM of air movement. The specified CFM varies from locale to locale. It is the responsibility of the owner and the installer to determine if additional requirements and/or standards apply to specific installations.
- To reduce risk of fire and to properly exhaust air, be sure to duct air outside. Do not vent exhaust air in spaces with walls or ceilings or into attics, crawl spaces or garages.
- Thermador® recommends not exceeding 50 ft (15.24 m) equivalent of duct.
- Keep duct runs as short and straight as possible. Elbows and transitions fittings reduce air flow efficiency. Back to back elbows and "S" turns give very poor delivery and are not recommended.
- A short, straight length of duct at the inlet of a remote blower gives the best delivery.
- Hoods are supplied with a 10" (254 mm) transition. A locally supplied transition is required for other sizes.
- Use the "Equivalent duct lengths for commonly used transitions" table to compute permissible lengths for duct runs to outdoors.

Equivalent duct lengths for commonly used transitions

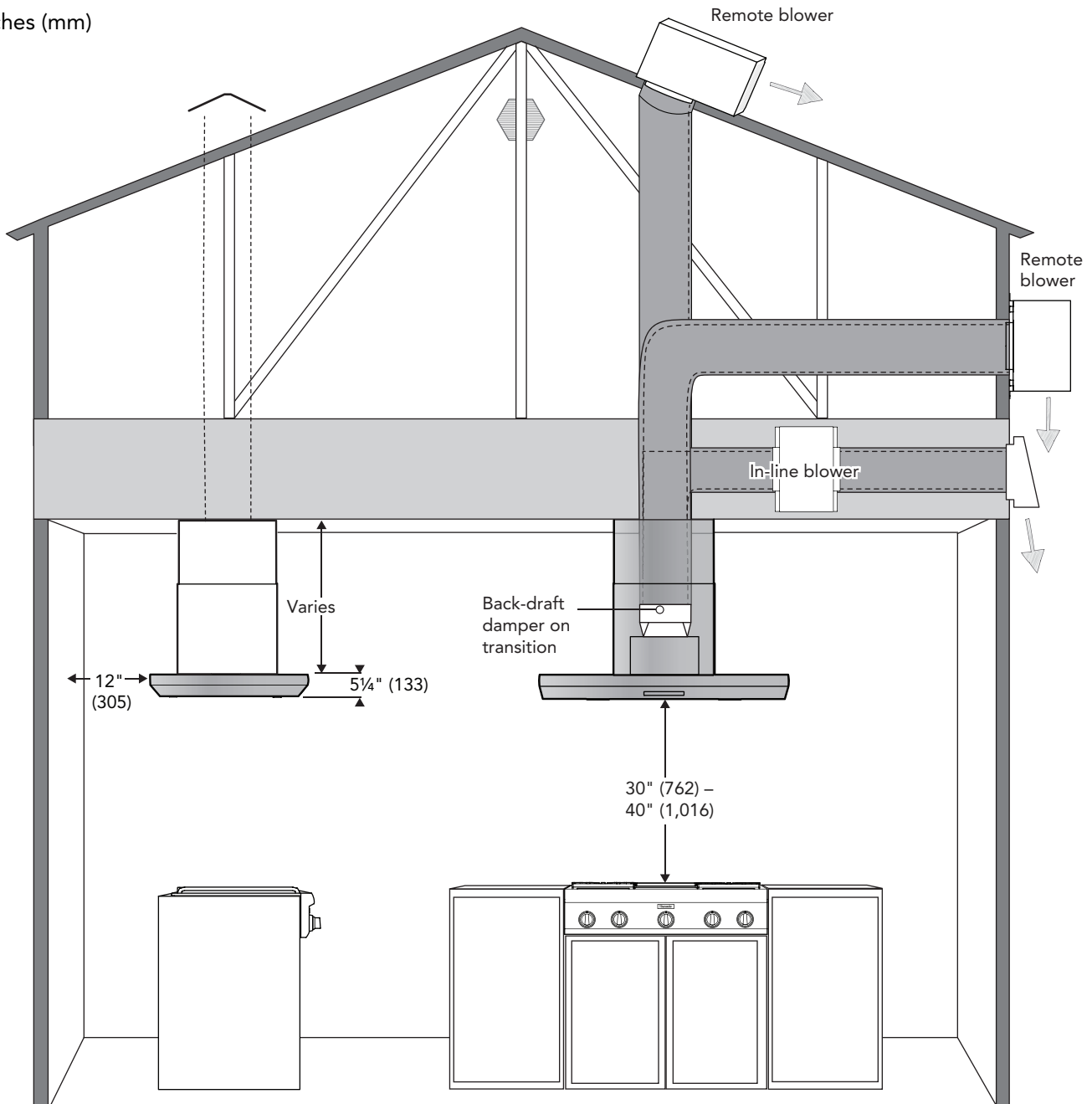
Duct piece	Size (in)	Equivalent length (ft)
 Smooth, straight	6	1.2
	8	0.7
	10	0.6
 3/4" x 10", straight	N/A	1
 3/4" x 14", straight	N/A	0.7
 90° elbow, round	6	12
	8	6
	10	5
 45° elbow, round	6	5
	8	3
	10	2
 3/4" x 10", 90° elbow, round	N/A	5
 3/4" x 10", 45° elbow, round	N/A	15
 3/4" x 10", flat elbow	N/A	20
 Round to 3/4" x 10"	6	1
	8	10
 3/4" x 10" to round	6	5
	8	2

Duct piece	Size (in)	Equivalent length (ft)
 Round to 3/4" x 10" 90° elbow,	6	10
 3/4" x 10" to round 90° elbow,	6	10
 3/4" x 10" center reverse elbow, left	N/A	15
 3/4" x 10", center reverse elbow, right	N/A	25
 3/4" x 10", left reverse elbow	N/A	15
 3/4" x 10", right reverse elbow	N/A	25
 Round wall cap	6	2
	8	2
	10	2
 Round roof cap	6	2
	8	2
	10	2
 2' long, 3/4" x 10" flex	N/A	20
 3/4" x 10", roof jack and shutter	N/A	2

NOTE: These commonly used installation parts can be purchased at a local hardware store. Thermador does not manufacture all these parts.

Common ducting configurations

inches (mm)



NOTE: The figure does not represent all configurations or installation methods. The image is to be used as a guide ONLY.

Choosing the correct blower

Blower motors

All blower models are sold separately. It is recommended to use only Thermador blowers with Thermador Pro ventilation hoods. See the "Ventilation Planning Guide" for recommended blowers. Contact Customer Service for additional options (see the back page for contact information).

In-line and remote blowers are available through your authorized Thermador® dealer. For local dealer information, visit the *Find a Dealer* section of our website at www.thermador.com.

The blower performance options will vary in cubic feet per minute (CFM) and is dictated by the cooking surface, the volume of air that needs to be moved and the length of the duct run. For long duct runs with multiple turns and bends, consider using a more powerful blower. For the most efficient air-flow exhaust, use a straight run or as few elbows as possible (refer to "Ductwork Preparation").

Blower options

Description	SKU
Remote blower (mounted to roof or external wall)	VTR1FZ
	VTR2FZ
In-line blower (mounted between kitchen and external wall)	VT11FZ
	VT12FZ

25 ft. remote and in-line blower extension cable

The 25 ft. remote and in-line blower extension cable (EXTNCB25W) is available to connect the hood to the in-line and remote blowers for distances up to 25 ft. The accessory cable must be purchased separately. **DO NOT** use more than one extension cable per installation.

Attaching the hood transition

Discharge Direction

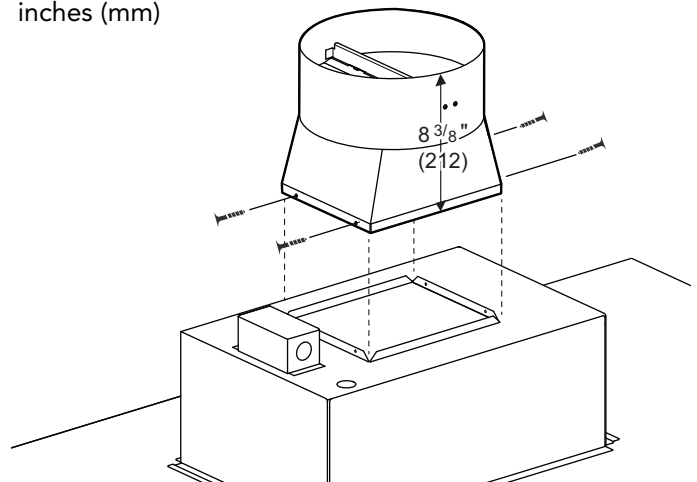
The hood can only be mounted with a vertical discharge. The exhaust air should be discharged through ducting and directed to the outside of the building.

Attaching the hood transition

Hoods are supplied with a 10" (254 mm) round transition. A locally supplied transition is required for other sizes.

1. Align the mounting holes at base of transition over the mounting holes of the 1/2" (13 mm) flange located at the top of the hood.

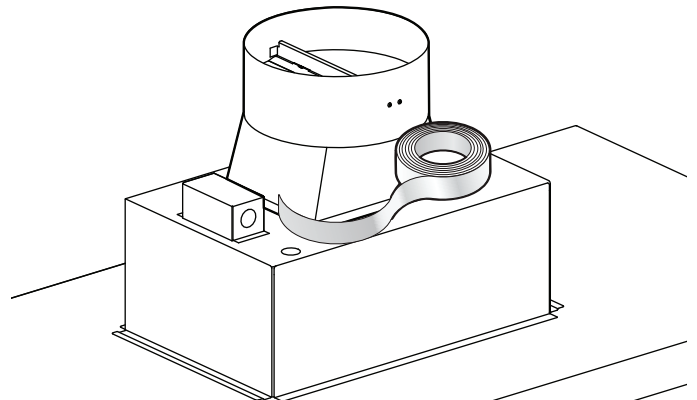
inches (mm)



2. Fasten transition to hood using four (4) 1/4" (6 mm) sheet metal screws included with hood.

Note: Screws must not hinder damper operation.

3. Seal connection between transition and hood with aluminum tape. **DO NOT** use duct tape. Ensure that the connection is completely sealed.



4. Remove tape holding damper closed.

Hood installation

⚠ CAUTION

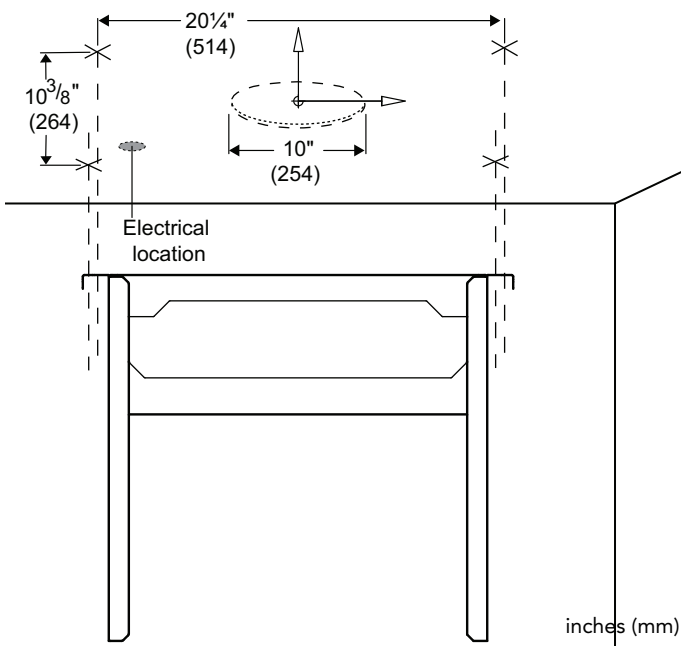
Before installing, turn power OFF at the service panel. Lock service panel to prevent power from being turned ON accidentally.

Ceiling cutout

IMPORTANT: A minimum 10" (254 mm) opening in the ceiling is required to accommodate the ductwork necessary for proper ventilation.

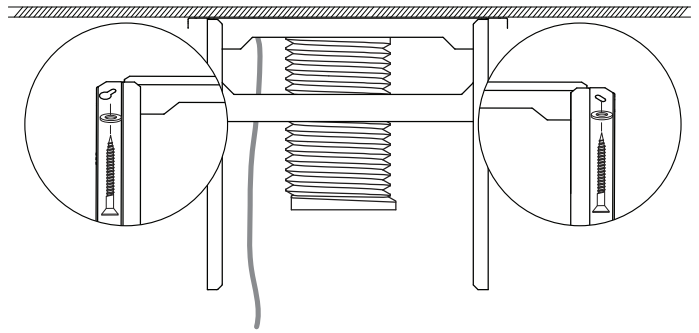
1. Ensure that no cables or pipes will become damaged (e.g. electric, gas, water).
2. On the ceiling, mark the center line of the appliance.
3. Mark the center line for the location of the four (4) mounting holes using dimensions shown in the illustration below. The holes must be drilled into a structure capable to support a minimum 150 lb. load.

Tip: Use the frame as a template to mark the mounting support locations.



4. Use a 1 1/4" drill bit to create a hole for the electrical power supply. Depending on the ceiling height, ensure the required minimum power cord length.

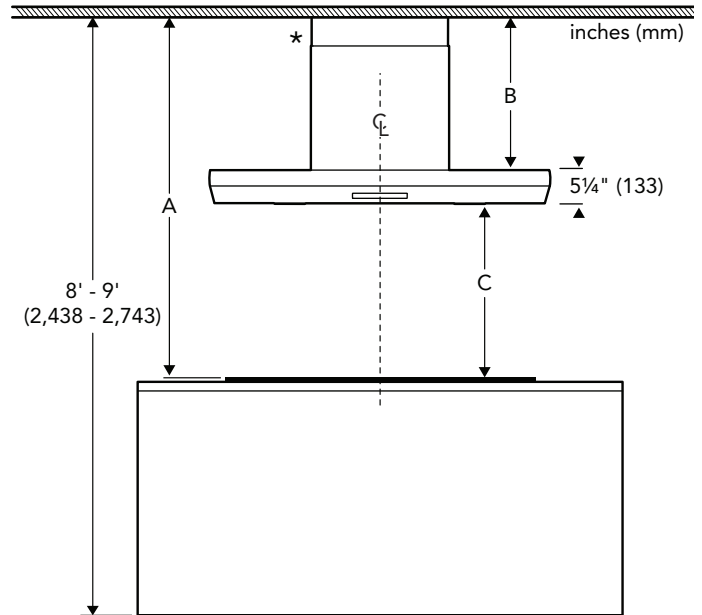
5. Mount the support frame to the ceiling by drilling in (4) 5/8" (16 mm) screws with washers into the tap holes. Ensure that the power supply for the island hood is routed inside the bracket.



Preparing the island hood support frame

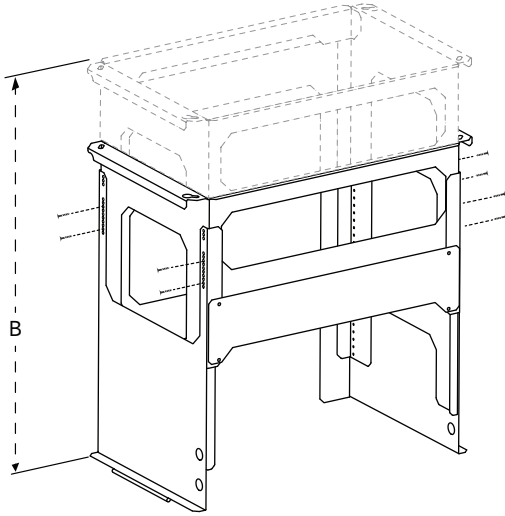
Determine the total height of the support frame.

$$A - 5\frac{1}{4}'' = \text{support frame height}$$

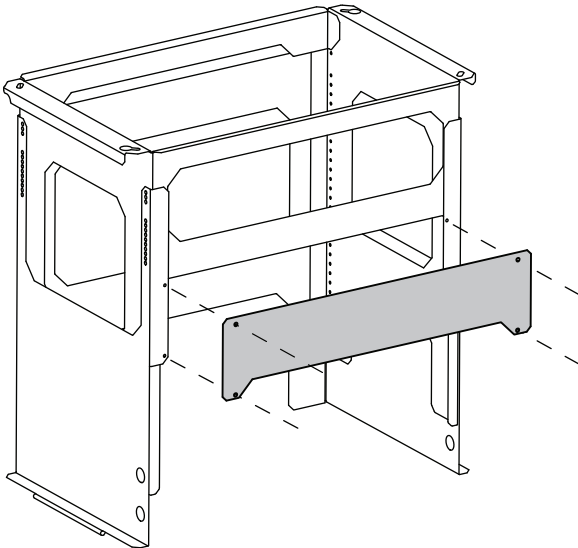


1. Measure the distance from the cooking surface to the ceiling ("A", figure).
2. Add together 5 1/4" (133 mm) to the desired height from the cook surface ("C", figure).
 - "C" must be at a 30" (762 mm) minimum to a 40" (1,016 mm) maximum above the cooking surface.
3. Subtract the number determined in Step 2 from the number in Step 1 to determine "B".

- Secure the right and left sides of the support frame at the height determined in Step 3, "B", using four (4) T-20 cross-head screws.

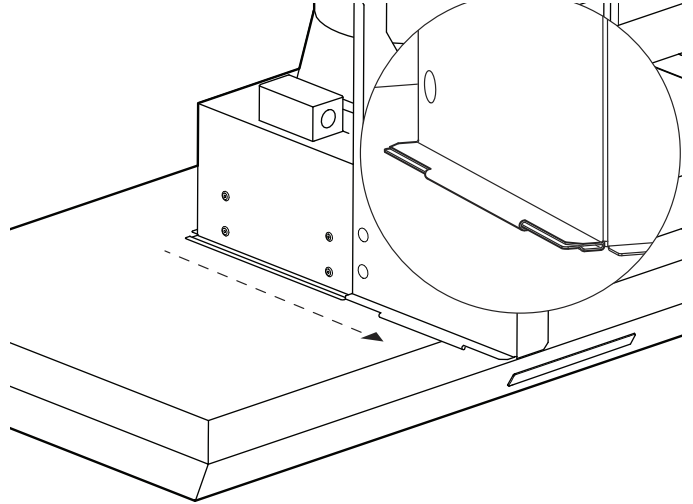


- Remove the clearance panel.



Securing the hood assembly

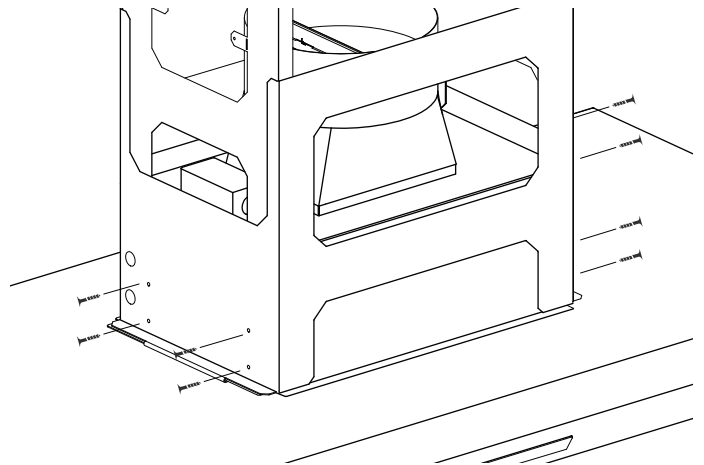
- Using two people, lift the assembled range hood to the support frame. Slide the lip of the side panel into the support sleeve of the support frame.



- Secure the range hood to the support frame with four (4) 1/2" (25.4 mm) screws into the left and right sides.

⚠ CAUTION

DO NOT hang the hood on the support sleeve without use of the screws for long periods of time. The support sleeve is not designed to bear the weight of the hood.



Blower motor installation

⚠ CAUTION

To reduce the risk of fire and electric shock, install this range hood only with the blowers listed in the *Ventilation Planning Guide*.

NOTE: Cutting the plug of the blower will void the warranty or eligibility for return or exchange.

Installing a remote blower or an in-line blower

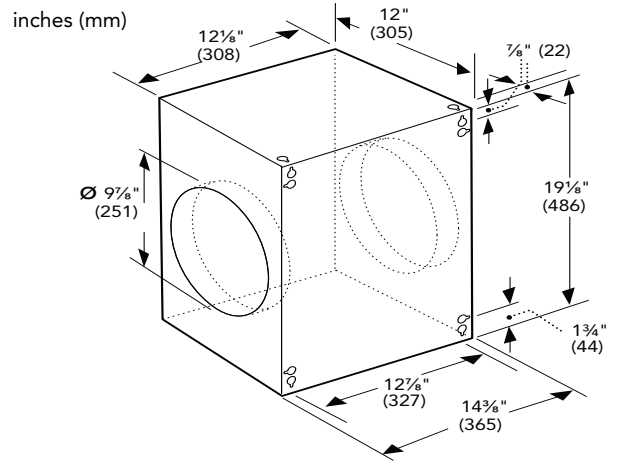
For complete installation instructions see the instructions supplied with the blower unit.

Remote blower

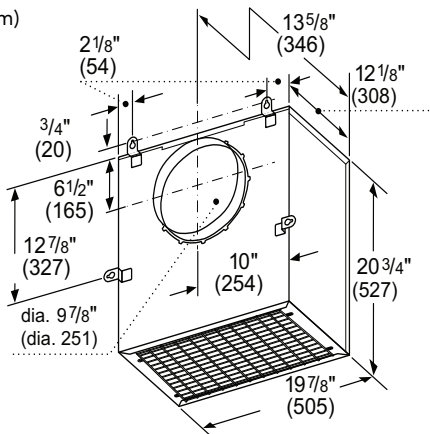
Depending on preference and ducting situation, these blowers can be mounted on the roof or exterior wall of the home. An exterior installation may be more appealing to reduce noise in the kitchen.

In-line blower

To minimize noise in the kitchen, these blowers are mounted along the duct line anywhere between the kitchen and the exterior wall. If there is easy access to duct line (in an attic, for example), this may be an appealing option.

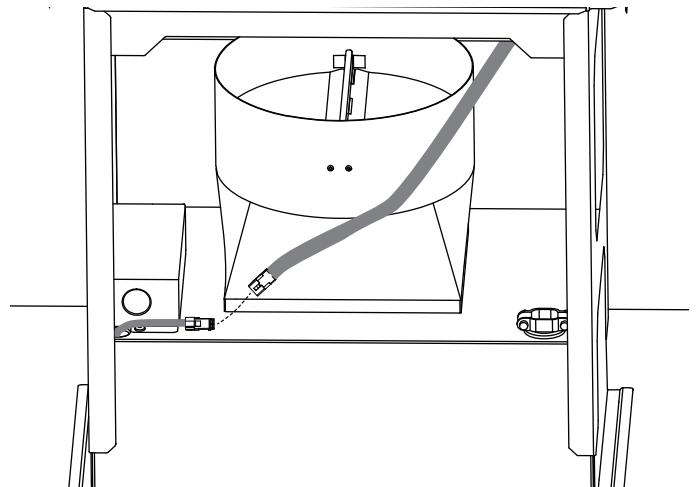


inches (mm)



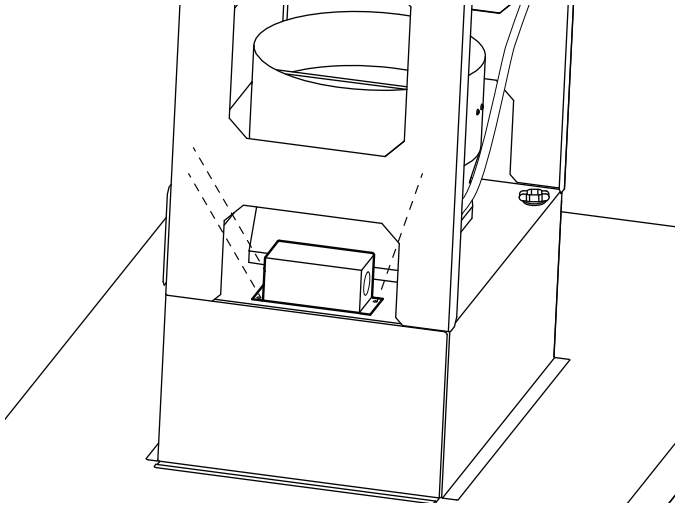
Blower wire connection

1. Route the blower motor's plug connector to the hood. Connect the blower's harness to the hood harness.

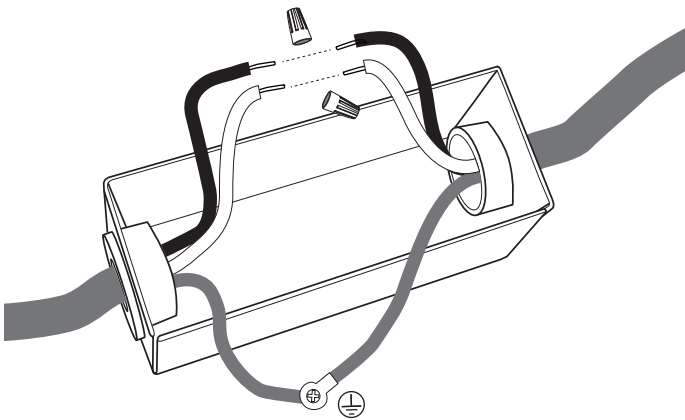


Electrical wire routing and connection

1. Remove the three (3) short screws from the junction box cover and remove the cover.



2. Connect the power supply wires to the hood wires in the following order: black to black, white to white, and green wire to green ground screw on chassis. Use spring type wire nuts.
 - Wire nuts should be spring type wire nuts rated for a minimum of two (2) #18 gauge wires and maximum of four (4) #14 gauge wires, UL & CSA rated to 600V and 302°F (150°C) .



3. Replace the junction box cover and secure it with the previously removed 3 short screws.

EXTNCB25W 25 ft. remote and in-line blower extension cable (optional)

Parts included

- 1 – 25ft cable
- 2 – Adapter cables (NOT NEEDED for all models)

Blower extension cable connection

The internal blower harness should be routed through the knockout and secured with a 1" (25.4 mm) strain relief. The remote harness can then be connected to the blower harness outside the unit.

NOTE: Cutting of the connector will void the warranty of the appliance.

The blower extension cable is compatible with the following in-line and remote blowers:

Blower	Model
Remote blower	VTR2FZ
Remote blower	VTR1FZ
In-line blower	VTI1FZ
In-line blower	VTI2FZ

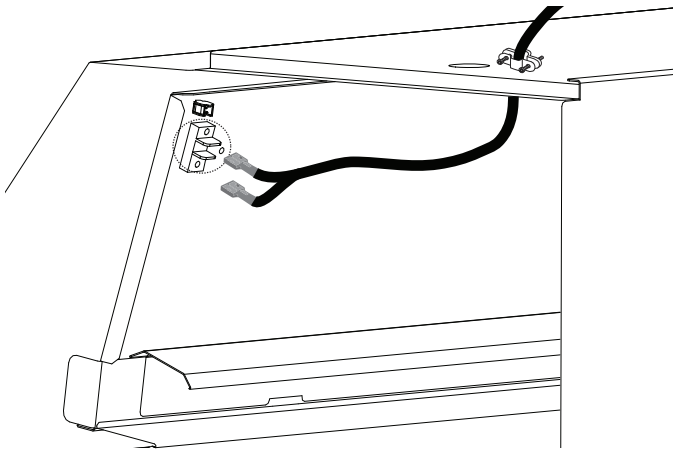
Make-up air damper relay switch (optional)

Local codes may require the use of an additional backdraft and/or make-up air damper. Contact your local HVAC professional for specific requirements.

This hood provides a relay switch to connect a make-up air damper (120V max). Installations will vary according to the location in the home where the unit is installed and the damper used. Use the following illustration as guidance for your installation. Always comply with local code requirements.

1. Access the hood's wiring.
2. Route the make-up air damper harness through the strain relief to the terminal block.

- The make-up air kit hot and return connections can use either terminal connection. There is no polarity requirement for the two pin terminal block.



3. Secure the ground wire with the green T-20 ground screw.

Built-in remote control accessory (optional)

Before you begin, read these instructions carefully. It is recommended that the Remote Control be wired to the hood after the hood is installed.

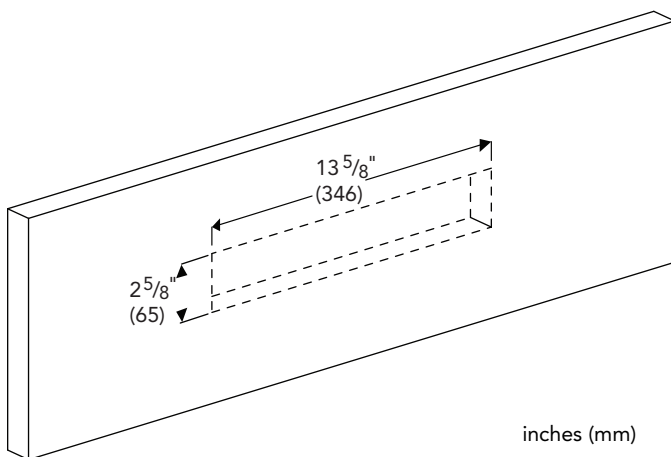
RE MCPW parts included

- 1 – remote control
- 1 – 30 ft. extension harness

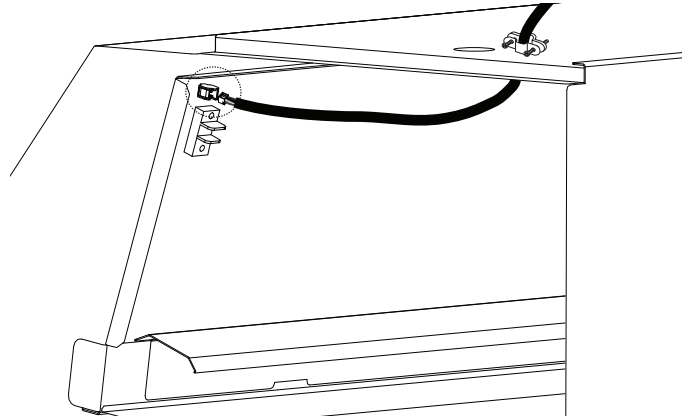
IMPORTANT: Cutting off a connector to the appliance or to the extension cable kit will void the warranty.

Remote control installation

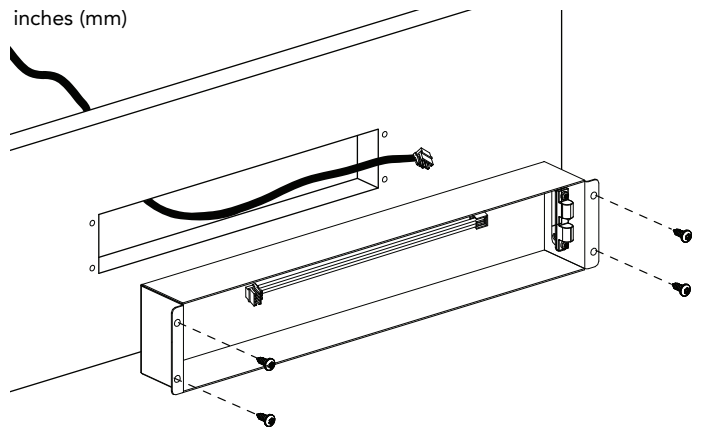
1. Prepare the wall (or similar surface) cutout for installation as shown below (view is shown facing wall).



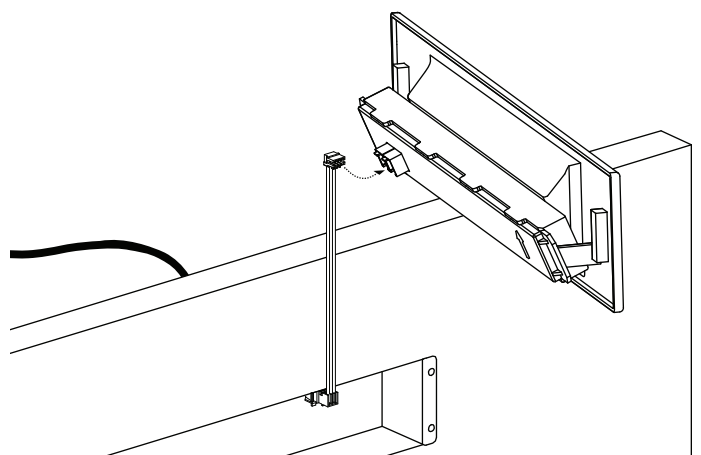
2. Access the hood's wiring. Route the 30 ft. extension harness through the strain relief to the square mounting clip until it clicks.



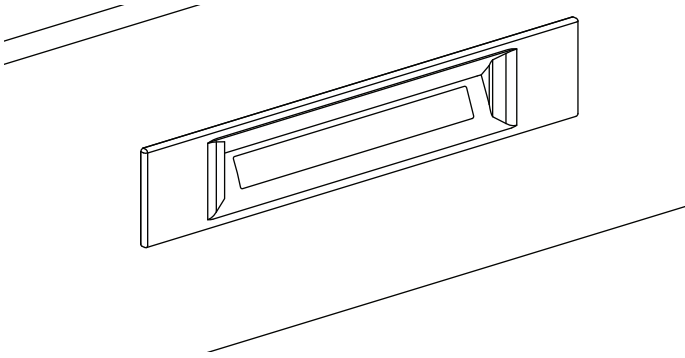
3. Route the 30 ft extension harness through the cutout and connect the harness to the back of the remote control bracket.
4. Press the bracket inside the cutout. Drill a 1/4" (6 mm) tap hole through the bracket holes into the wall. Mount the bracket to the wall using the four (4) screws provided.



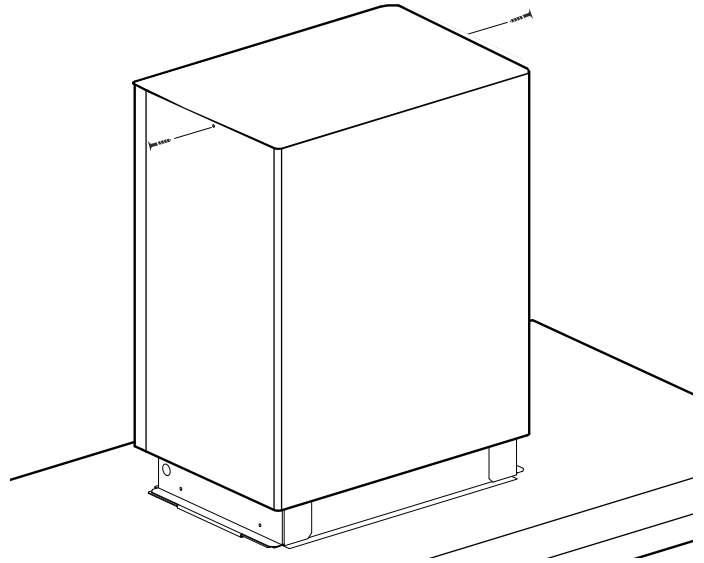
5. Hook up the wire harness connector inside the bracket to the terminal on the back side of the remote control. Use either terminal.



6. Snap the remote control into the bracket.

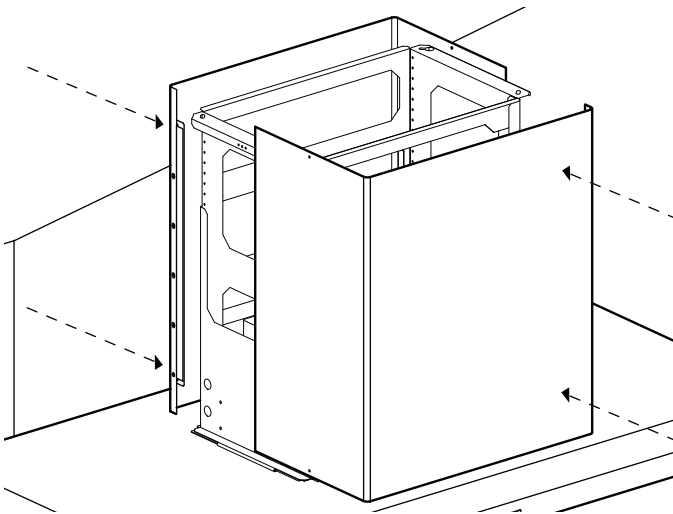


3. Secure the upper flue to the support frame with two (2) ½" (25.4 mm) screws in the left and right sides.

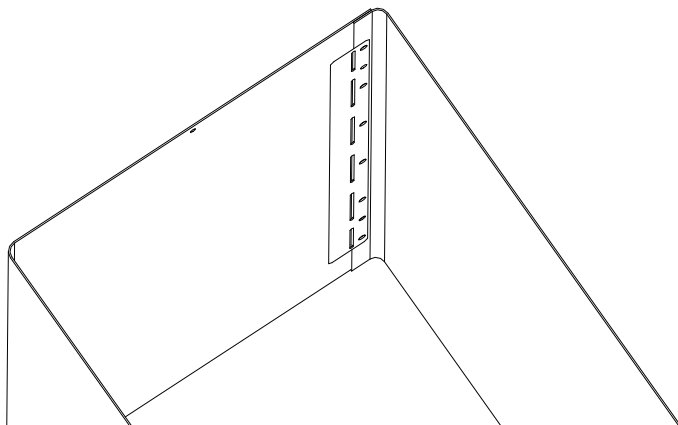


Installing the telescopic flue

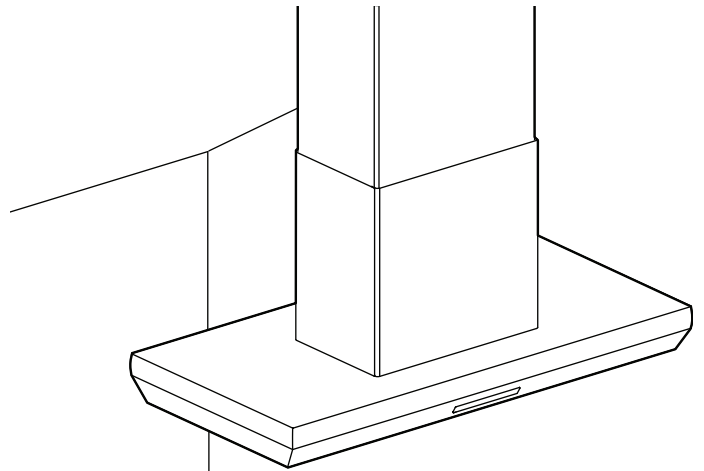
1. Wrap the two (2) longer of the telescopic flue pieces around the support frame of the installed island hood.



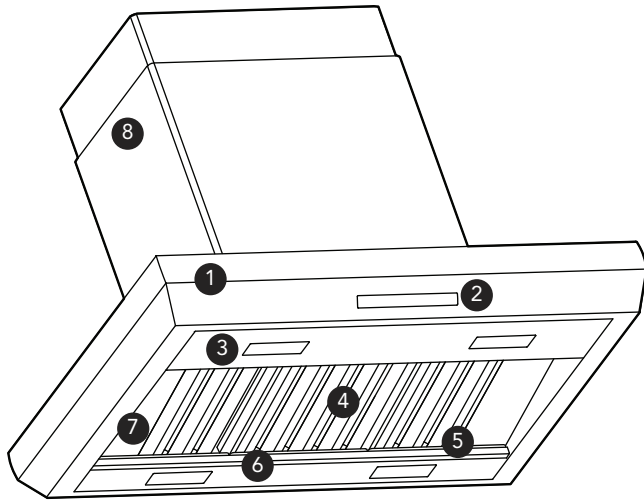
2. The two pieces should click together (no screws needed).



4. Wrap the two (2) shorter of the telescopic flue pieces around the upper flue. The two pieces should click together (no screws needed). The island hood will support the bottom flue.



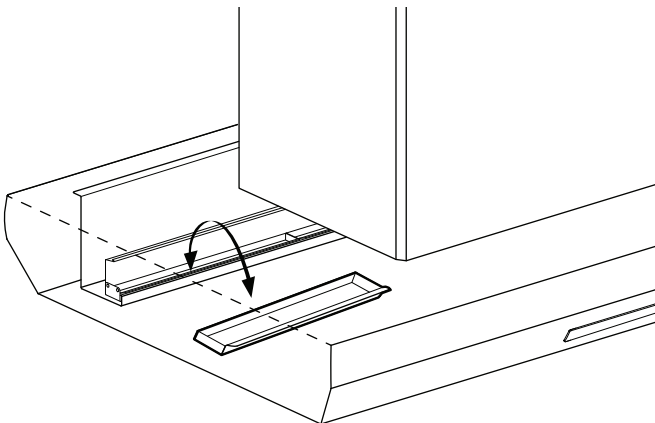
Installing grease trays and filters



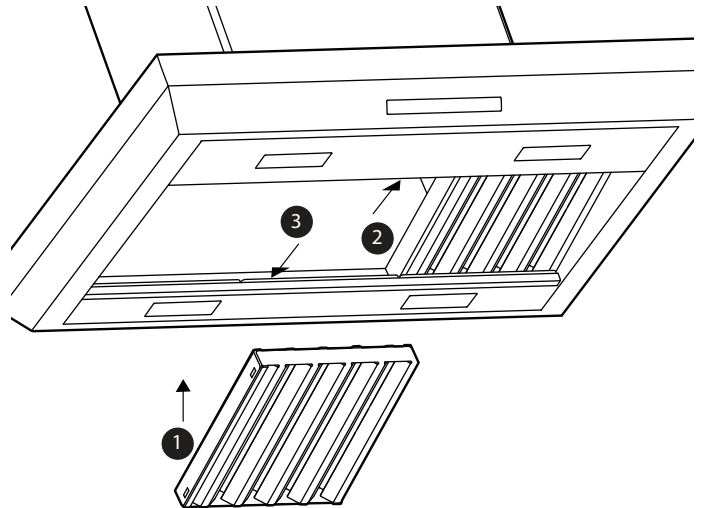
- | | |
|--------------------|-------------------------|
| (1) Hood canopy | (2) Touch control panel |
| (3) LED lights | (4) Baffle filters |
| (5) Grease trays | (6) Grease tray trough |
| (7) Filter spacers | (8) Telescopic flue |

NOTE: DO NOT use burners, elements, or oven while hood is disassembled.

1. Turn the fan and lights off.
2. Remove all plastic from hood pieces.
3. Insert in the following order:
 - Grease tray — Insert in rear tray. Grease trays must be in place before installing the filters. Push the grease tray in and down inside the grease tray trough.



- Filters — start with inserting the filter in the middle and work out to the ends. Slide the filter up, toward the front of the hood, then push down on top of the grease tray.



- Filter spacers — If applicable, insert the filter spacers on the left and right ends. Push up, slide toward the front of the hood, then push in at the bottom.

Reverse the above directions to remove the grease tray, filters and filter spacer. Ensure filters are cool and grease has congealed before removal.

Installer checklist and service

Installer checklist

Final check

- _____ Specified clearances maintained to cabinet surfaces.
- _____ Appliance is level.
- _____ All packaging material removed.
- _____ Proper ground connection.
- _____ Owner is aware of location of the main circuit breaker.
- _____ Write the model (E-Nr) number and serial number found on the product data rating plate in the Use and Care Guide. Leave the Use and Care Guide and the Installation Instructions with the owner of the appliance.
- _____

To clean and protect exterior surfaces

- The stainless steel surfaces may be cleaned by wiping with a damp soapy cloth, rinsing with clear water and drying with a soft cloth to avoid water marks. Any mild glass cleaner will remove fingerprints and smears.
- To polish and protect stainless steel, apply a stainless steel conditioner with a soft cloth. The Thermador Stainless Steel Conditioner is available for purchase in the online accessories store (US only) (<http://store.thermador.com/us/>). Order part number 00576697 (spray bottle) or 17002200 (wipes). Do NOT use conditioner on non-steel surfaces, logos, control markings, labels, black or smudge-proof stainless steel, and appliance interiors.
- **DO NOT** allow deposits to remain for long periods of time.
- **DO NOT** use ordinary steel wool or steel brushes. Small bits of steel may adhere to the surface causing rust.
- **DO NOT** allow salt solutions, disinfectants, bleaches or cleaning compounds to remain in contact with stainless steel for extended periods. Many of these compounds contain chemicals which could prove harmful. Rinse with water after exposure and wipe dry with a clean cloth.

Before calling service

Troubleshooting

See the Use and Care Guide for troubleshooting information. Refer to the Statement of Limited Product Warranty in the Use and Care Guide. Please be prepared with the information printed on your product data rating plate when calling.

To reach a service representative, see the contact information at the back of the manual. Before calling, please note the complete model and serial number printed on your product data rating label.

Product data rating plate

The data rating label shows the model (E-Nr) and serial number. It is located under the filter. Refer to the data plate on the appliance when requesting service.

The data rating plate is located on the frame behind the filter. Remove the filter to view it.

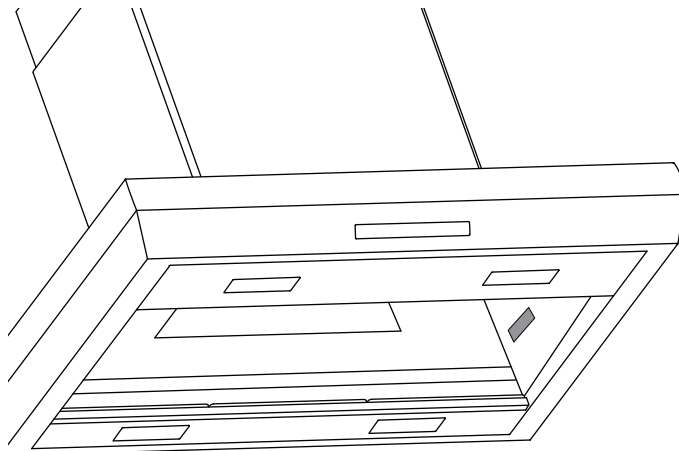


Table des matières

Sécurité	20
Consignes de sécurité importantes	20
Planification préalable	23
Avant de commencer	23
Renseignements généraux	24
Instructions d'installation	25
Facteurs à prendre en compte pour l'installation	25
Exigences électriques	26
Assemblage du raccord	29
Installation de la hotte	29
Installation du ventilateur	28
Câble de connexion du ventilateur EXTNCB25W (optionnel)	32
Commutateur à relais pour clapet d'appoint d'air (facultatif)	33
Installation de la commande à distance (optionnel)	33
Acheminement du câblage et connexion	34
Installation de la cheminée télescopique	35
Installation des plateaux à graisse, des panneaux latéraux et des filtres	36
Service et liste de vérification de l'installateur	37
Liste de vérification à l'intention de l'installateur	37
Avant d'appeler le service à la clientèle	37
Plaque signalétique	37
Service, pièces, et accessoires	page verso

Cet appareil électroménager de THERMADOR™

est fait par BSH Home Appliances Ltd

6696 Financial Drive , Uit 3

Mississauga, ON L5N 7J6

Des questions?

1-800-735-4328

www.thermador.ca

Nous attendons de vos nouvelles!

⚠️ CONSIGNES DE SÉCURITÉ IMPORTANTES

LIRE ET CONSERVER CES DIRECTIVES

Ce guide d'utilisation et d'entretien explique les principes de base du fonctionnement de votre appareil et les mesures de sécurité à suivre. Pour des informations d'installation complètes et sûres, reportez-vous aux instructions d'installation fournies avec l'appareil.

Tous les manuels des produits peuvent être téléchargés en ligne à l'adresse www.thermador.com/us/support/owner-manuals ou www.thermador.ca/en/support/owner-manuals.

INSTALLATEUR : Prière de laisser ces instructions d'installation avec cet appareil à l'intention du propriétaire.

PROPRIÉTAIRE : Prière de conserver ces consignes pour pouvoir s'y référer ultérieurement. Lisez toutes les consignes de sécurité avant d'utiliser l'appareil. Demandez à l'installateur de vous montrer où se trouvent le disjoncteur électrique et le robinet d'arrêt de l'alimentation en gaz afin que vous sachiez comment et où couper le gaz et l'électricité de l'appareil.

Définitions des termes de sécurité

⚠️ **AVERTISSEMENT** : ceci indique des risques de blessures graves ou mortelles en cas de non-respect de cette mise en garde.

⚠️ **MISE EN GARDE** : ceci indique des risques de blessures mineures ou de gravité moyenne en cas de non-respect de cette mise en garde.

AVIS : Signale un risque de dommage matériel ou de dommage à l'appareil électroménager si l'avis n'est pas respecté.

Remarque : Cette section vous donne des informations et/ou des conseils importants.

AVERTISSEMENT

Coupez l'alimentation du disjoncteur et verrouillez le panneau avant de procéder au câblage de cet appareil. Exigence : 120 VCA, 60 Hz, 15 A ou 20 A pour certains modèles. Avant de procéder à l'entretien de l'appareil, laissez-lui le temps de refroidir une fois que vous avez coupé l'alimentation électrique.

AVERTISSEMENT



Si vous ne suivez pas rigoureusement les renseignements fournis dans le présent guide, des risques d'incendie ou d'explosion sont susceptibles de causer des dommages matériels, des blessures ou la mort.

- N'entrez pas et n'utilisez pas d'essence ou d'autres produits inflammables sous forme de liquide ou de vapeur à proximité de la table de cuisson ou de tout autre appareil.
- **SI VOUS DÉTECTEZ UNE ODEUR DE GAZ**
 - N'allumez aucun appareil.
 - Ne touchez pas aux interrupteurs électriques.
 - N'utilisez pas les téléphones du bâtiment où vous trouvez.
 - Appelez immédiatement votre société gazière chez un voisin et suivez les instructions qu'elle vous donne.
 - Si vous n'arrivez pas à contacter votre société gazière, appelez le service d'incendie.
- L'installation et les travaux d'entretien doivent être réalisés par un installateur qualifié, un centre de réparation agréé ou une société gazière.

AVERTISSEMENT

Dispositif Automatique

Pour réduire le risque de blessure ébranchez toujours la machine de la source d'alimentation avant tout entretien.

AVERTISSEMENT

Ne réparez et ne remplacez aucune pièce de l'appareil à moins que cela ne soit expressément recommandé dans le présent manuel. L'installation, la réparation ou l'entretien inadéquat de cet appareil peut causer des blessures corporelles ou des dommages matériels. Consultez le présent manuel pour des conseils. Tous les autres travaux d'entretien doivent être effectués par un technicien qualifié.

⚠️ CONSIGNES DE SÉCURITÉ IMPORTANTES

LIRE ET CONSERVER CES DIRECTIVES

AVERTISSEMENT

POUR RÉDUIRE LES RISQUES D'INCENDIE, DE DÉCHARGE ÉLECTRIQUE OU DE BLESSURE, RESPECTEZ LES CONSIGNES SUIVANTES :

- Utilisez cet appareil seulement de la manière prévue par le fabricant. Pour toutes questions, veuillez contacter le fabricant.
- Avant de procéder au nettoyage ou à l'entretien de l'appareil, éteignez l'alimentation du panneau électrique et bloquez le dispositif de déconnexion pour éviter que l'alimentation électrique ne soit accidentellement rallumée. Si le dispositif de sectionnement d'électricité ne peut être bloqué, attachez un avertissement (comme une étiquette) bien en vue sur le tableau électrique. Contactez le fabricant à l'adresse ou au numéro de téléphone indiqué sur la dernière page.

AVERTISSEMENT

RISQUE DE DÉCHARGE ÉLECTRIQUE



- N'enlevez pas de connexion.
- N'utilisez pas une rallonge électrique.
- La mise à la terre inadéquate de l'appareil peut entraîner un risque de décharge électrique.
- Le non-respect des présentes instructions peut entraîner la mort, causer un incendie ou provoquer une décharge électrique.

Instructions de mise à la terre

Cet appareil doit être mis à la terre. La mise à la terre réduit les risques de décharge électrique en fournissant au courant électrique un fil d'échappement lors d'un court-circuit.

Assurez-vous que votre appareil est convenablement installé et mis à la terre par un technicien qualifié. L'installation, le branchement électrique et la mise à la terre doivent être conformes à tous les codes en vigueur.

Si le Code national de l'électricité (ou le code Canadien de l'électricité) l'exige, cet appareil doit être installé sur un circuit de dérivation séparé.

AVERTISSEMENT

Pour réduire les risques d'incendie ou de décharge électrique, n'utilisez pas cet appareil avec un tableau de commande à semi-conducteurs.

Normes et codes de sécurité

Cet appareil est conforme à une ou plusieurs des normes suivantes :

- UL 507 – norme visant la sécurité en matière de ventilateurs électriques
- CAN/CSA-C22.2 No 113 – ventilateurs

Il est de la responsabilité du propriétaire et de l'installateur de déterminer les exigences ou les normes supplémentaires pouvant s'appliquer à des installations particulières.

ATTENTION



L'appareil est lourd. Au moins deux personnes ou de l'équipement adéquat sont requis pour le déplacer et l'installer.

Les surfaces cachées de l'appareil peuvent comporter des saillies coupantes. Faites attention lorsque vous manipulez l'appareil pour éviter de vous blesser ou d'endommager votre propriété.

Avertissement issu de la proposition 65 :

Ce produit pourrait contenir un produit chimique reconnu par l'État de la Californie comme cancérigène ou ayant des effets nocifs sur la reproduction. Par conséquent, vous pourriez devoir apposer l'étiquette suivante sur l'emballage du produit comme requis par la Californie :

Avertissement issu de la proposition 65 de l'État de la Californie :

⚠️ AVERTISSEMENT

Cancérigène et effets nocifs sur la reproduction –
www.P65Warnings.ca.gov

Ne modifiez jamais la construction de l'appareil. Par exemple, n'enlevez pas de panneaux, couvre-fils ou supports/vis.

⚠️ CONSIGNES DE SÉCURITÉ IMPORTANTES

LIRE ET CONSERVER CES DIRECTIVES

AVERTISSEMENT POUR RÉDUIRE LES RISQUES D'INCENDIE, DE DÉCHARGE ÉLECTRIQUE OU DE BLESSURE, RESPECTEZ LES CONSIGNES SUIVANTES :

- Les travaux d'installation et de câblage électrique doivent être faits par une personne qualifiée selon les stipulations de toutes les normes et réglementations en vigueur, dont les normes des constructions ayant une cote de résistance au feu.
- Pour prévenir les contre-explosions, une certaine quantité d'air est nécessaire pour la combustion et l'évacuation des gaz par le carneau (cheminée) de l'appareil de combustion. Respectez les directives du fabricant d'outillage de chauffage et les normes de sécurité, comme celles publiées par la NFPA (Association nationale des services d'incendie), par la Société américaine des ingénieurs en chauffage, réfrigération et climatisation (ASHRAE) et par les autorités locales.
- N'évacuez pas l'air dans les espaces entre les murs, le plafond, le grenier, les vides sanitaires ou le garage.
- Les ventilateurs canalisés doivent toujours évacuer l'air à l'extérieur.
- Les ventilateurs à conduit doivent toujours être ventilés vers l'extérieur.
- **N'UTILISEZ QUE DES CONDUITS MÉTALLIQUES.**
- Lorsque vous coupez ou percez un mur ou un plafond, assurez-vous de ne pas endommager le câblage électrique ou toute autre installation technique dissimulée.

ATTENTION

Un ventilateur externe doit être installé derrière les déflecteurs ou à un endroit où il est peut probable que de l'eau soit aspiré.

Planification préalable

Avant de commencer

⚠ AVERTISSEMENT

Une mauvaise installation d'appareils à gaz et de hottes de ventilation peut créer un risque de monoxyde de carbone, qui peut être nocif. Pour réduire le risque d'intoxication au monoxyde de carbone, assurez-vous que l'appareil à gaz est correctement installé selon les instructions du fabricant, ainsi que la hotte est ventilée vers l'extérieur pour une évacuation adéquate des gaz ou des fumées.

Les appareils de cuisson au gaz libèrent du monoxyde de carbone qui peut être nocif ou mortel en cas d'inhalation. Pour réduire le risque d'incendie et pour évacuer correctement l'air, les gaz d'échappement extraits par la hotte doivent être évacués à l'extérieur du bâtiment uniquement.

Consultez les codes du bâtiment locaux en ce qui concerne les exigences ou les restrictions liées à l'installation de produits de ventilation en mode de recirculation.

La hauteur d'installation de la hotte au-dessus d'une table de cuisson ou d'une cuisinière peut varier. Pour obtenir la hauteur d'installation nécessaire au-dessus d'une table de cuisson, d'une cuisinière ou d'une table de cuisson, consultez le manuel d'installation de l'appareil ou la matrice de combinaison.

AVIS : La hotte peut être endommagée par une chaleur excessive si une cuisinière ou une table de cuisson fonctionne avec plusieurs brûleurs à des réglages élevés sous une hotte installée à des dégagements minimums et éteinte.

Distance de la surface de cuisson

La hauteur d'installation au-dessus d'une table de cuisson ou d'une cuisinière est recommandée comme une hauteur minimale de 30 po (762 mm); cependant, il est nécessaire de suivre les instructions d'installation du fabricant de l'appareil de cuisson pour une hauteur de hotte appropriée.

Reportez-vous aux codes du bâtiment locaux pour connaître les dernières exigences ou restrictions lors de l'installation de produits de ventilation en mode de recirculation.

Pièces Fournies

- Raccord métallique avec registre antirefoulement
- Filtres déflecteurs
- Plateaux à graisse

- Pièces d'espacement à filtre
- Cadre porteur
- Cheminée télescopique
- Adaptateur pour ventilateur
- Trousse d'éléments de fixation*

* La quincaillerie fournie sert à fixer la hotte à travers une cloison sèche ou du plâtre et des montants de bois d'épaisseur standard. Les installateurs sont responsables de fournir la quincaillerie pour les autres types d'installation.

Pièces et Outils Requis

- Ventilateur (Veuillez consulter le « Guide de Planification » d'apport d'air supplémentaire pour connaître les systèmes compatibles de soufflerie.)
- Conduit, selon les besoins (voir «Longueur totale équivalente du conduit avec les raccords les plus fréquemment utilisés » à la page 27)
- Ruban d'aluminium (n'utilisez PAS du ruban à conduit)
- Tube de 1/2 po (13 mm), s'il y a lieu; respectez les codes locaux
- Serre-câbles de 1 po (25,4 mm)
- Tournevis à tête étoilée et Torx T20
- Monte-démonte écrou ou clé à rochet et douille de 11/32 po (9 mm)
- Perceuse avec embout de 3/16 po et 1/4"
- Pince à dénuder
- Ruban à mesurer
- Gants de protection

IMPORTANT : Ne jetez pas le matériel d'emballage avant d'avoir terminé l'installation de l'appareil.

Il est possible d'acheter d'autres accessoires facultatifs séparément

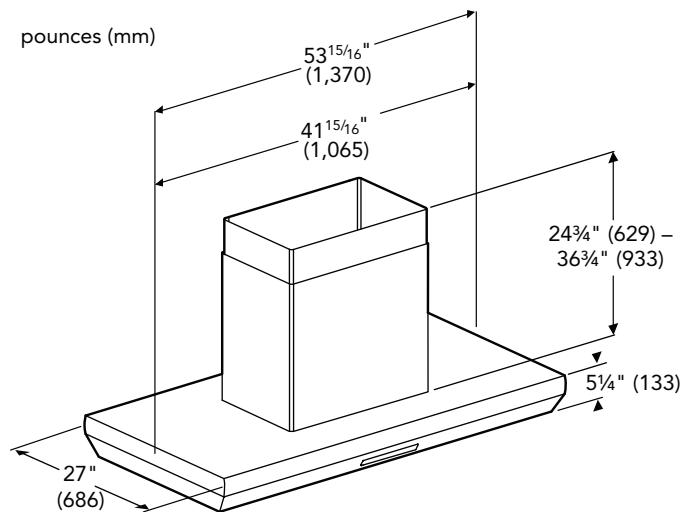
Pour de plus amples renseignements, veuillez consulter le site www.thermador.com.

Accessoires	Description
EXTNCB25W	Câble de raccordement de 25 pi
EXTNSET4	Trousse d'adaptateur de câble d'extension de soufflerie à distance et en ligne de 25 po
RFPLT600P	Plaque de plafond à utiliser avec le moteur séparé VTR1FZ
RFPLT1000P	Plaque de plafond à utiliser avec le moteur séparé VTR2FZ
REMCPW	Commande à distance

Renseignements généraux

Dimensions générales

HPINxxWS – Cette série de modèles, d'une profondeur de 27 po (686 mm), cheminée télescopique, comporte un déflecteur en acier inoxydable brossé avec éclairage à DEL.



NOTE : Le raccord est centré.

IMPORTANT : Pour un rendement optimal, la hotte doit être centrée au-dessus de la surface de cuisson.

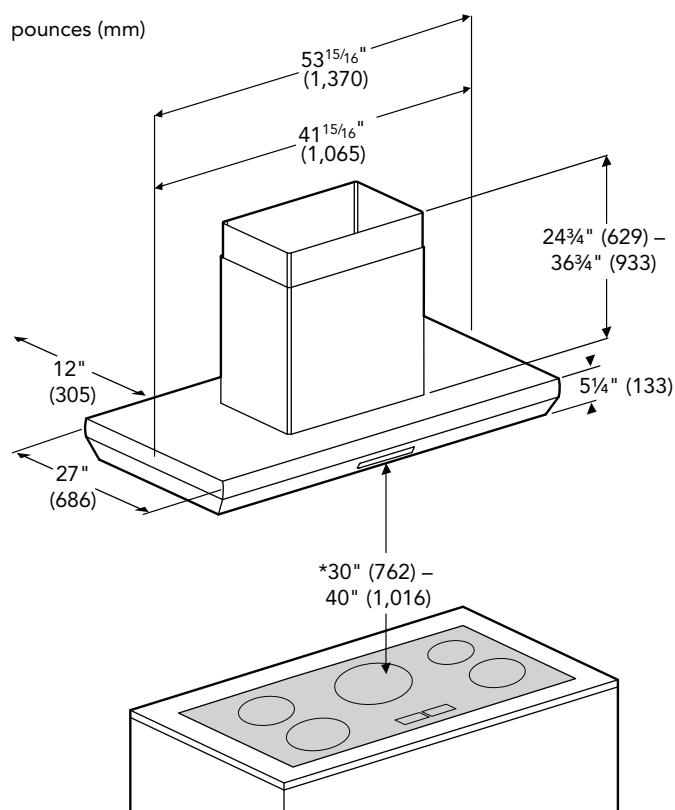
Instructions d'installation

Facteurs à prendre en compte pour l'installation

Dégagements et exigences

La hotte doit évacuer l'air à l'extérieur de la maison. L'appareil ne peut être utilisé avec un ensemble de reprise d'air.

La hauteur d'installation de la hotte au-dessus d'une surface de cuisson ou d'une cuisinière peut varier. Pour respecter la hauteur d'installation nécessaire au-dessus d'une surface de cuisson ou d'une cuisinière, consultez le manuel d'installation de l'appareil.



*Suivez les recommandations du fabricant de l'appareil de cuisson.

Largeur de la hotte

- Cette hotte est conçue uniquement pour une installation dans un îlot de cuisine. Maintenez une distance minimale de 12 po (305 mm) entre le mur arrière et le bord de la hotte îlot.
- La largeur de la hotte ne doit pas être moindre que celle de la surface de cuisson. Pour un bon rendement, le boîtier doit couvrir l'ensemble de la surface de cuisson.
- La hotte doit être centrée horizontalement au-dessus de la surface de cuisson pour offrir un bon rendement.

Une hotte plus large peut être utilisée s'il n'y a pas de contraintes d'espace pour accroître l'aire d'aspiration.

Distance de la surface de cuisson

- La hauteur de l'installation de la hotte au-dessus d'une table de cuisson ou d'une cuisinière peut varier.
- La hauteur d'installation varie d'une hauteur minimale de 30" (762 mm) à une hauteur maximale suggérée de 40" (1 016 mm). En revanche, reportez-vous aux instructions d'installation du fabricant de la hotte et du ventilateur.

REMARQUE : La hotte peut être endommagée par la chaleur si une cuisinière ou une table de cuisson Thermador Professional® est utilisée avec plusieurs brûleurs à des réglages élevés sous une hotte installée avec un minimum d'espace libre lorsque la hotte est éteinte.

Poids de l'appareil

- Cette hotte d'évacuation d'air est lourde. Peu importe le type d'installation, il faut avoir une structure et des nervures de renforcement adéquats.
- Assurez-vous de tenir compte du poids de l'unité de ventilation lors du calcul de la charge du système de support du boîtier.

Modèle	Poids installé
HPIN42WS	105 lbs. (47.6 kg)
HPIN54WS	122 lbs. (55.3 kg)

IMPORTANT: Les poids mentionnés ne s'appliquent qu'à l'appareil de ventilation et au ventilateur. L'installateur doit tenir compte du poids du matériel de construction lors du calcul du poids total de l'installation, y compris, sans s'y limiter, les éléments suivants : mur, tuiles, mortier, plâtre, briques, finition, cloisons et autres éléments architecturaux et structuraux. Il est de la responsabilité du propriétaire et de l'installateur de déterminer les exigences ou les normes supplémentaires pouvant s'appliquer à des installations particulières.

Structure de la nervure de renforcement

- La charpente du mur et les solives de plafond doivent être suffisamment solides pour soutenir le poids de la hotte et du ventilateur interne, s'il y a lieu.
- Minimale, la charpente du mur doit être faite de 2x4. Un soutien structural adéquat est requis pour supporter le poids de la hotte.

Ventilation

- La hotte doit être ventilée à l'extérieur du bâtiment.

Exigences électriques

⚠ AVERTISSEMENT

Cet appareil doit être mis à la terre.

- Cet appareil doit être branché à un circuit de dérivation de 120 VCA, 60 Hz, 15 A.
- La hotte doit être branchée à une prise de courant mise à la terre et installée en conformité avec les réglementations en vigueur.
- Lorsqu'elles sont protégées par un disjoncteur de fuite à la terre, les hottes Professional de Thermador peuvent être utilisées dans des endroits humides à l'abri des conditions météorologiques extérieures et de saturations par de l'eau et d'autres liquides, quoiqu'elles puissent être soumises à un certain degré d'humidité (par exemple, lors d'une installation sur une terrasse couverte ou une véranda). Consultez les codes locaux, le Code national de l'électricité/Code Canadien de l'électricité, et l'autorité compétente pour obtenir de plus amples renseignements.
- Consultez le code de la construction de votre localité pour connaître la méthode d'installation adéquate. Aux É.-U., si aucun code local n'est en vigueur, cet appareil doit être installé conformément à la plus récente édition de la norme no 70 du Code national de l'électricité/NFPA (Association nationale des services d'incendie). Au Canada, l'installation doit respecter les normes d'installation CSA C22.1-02 pour les appareils au gaz ou les codes locaux en vigueur.
- Vous pouvez vous procurer un câble de connexion pour ventilateur à distance (EXTNCB25W) de 25 pieds si vous souhaitez brancher la hotte au ventilateur à plus de 25 pieds de distance (acheté séparément). N'utilisez PAS plus d'un câble de connexion par installation.

Données électriques apparaissant sur la plaque signalétique

- Les données électriques relatives à l'appareil, y compris le numéro de modèle et le numéro de série, se trouvent sur la plaque signalétique située à l'intérieur de l'appareil, visible lors du retrait du cadre des filtres.



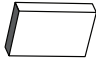
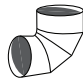
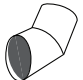
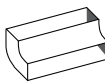

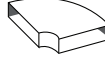
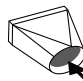
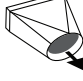
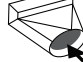
Préparation du conduit d'aération

- L'air est évacué vers le haut, par le biais d'un conduit, ou directement à l'extérieur à travers le mur arrière.
- Un rendement adéquat dépend d'un conduit d'aération adéquat. Le code du bâtiment local peut exiger l'utilisation d'un système d'air d'appoint lors de l'utilisation d'un système de ventilation avec des conduits dont le nombre de pi^3/min d'air est supérieur à ce qui est indiqué. Il est de la responsabilité du propriétaire et de l'installateur de déterminer les

exigences ou les normes supplémentaires pouvant s'appliquer à des installations particulières.

- **N'UTILISEZ PAS DE CONDUITS SOUPLES.** Ces conduits créent de la pression d'aspiration et de la turbulence en plus d'offrir un rendement moins efficace. Posez toujours un couvercle métallique à la sortie du conduit de la maison.
- **TEMPÉRATURES FROIDES :** Pour une installation où les conditions météorologiques sont froides, un registre antirefoulement supplémentaire doit être installé pour minimiser l'entrée d'air froid de l'extérieur, avec un isolant thermique non métallique pour minimiser la conduction de la température extérieure dans le conduit. Le registre doit se trouver du côté de l'air froid de l'isolant thermique. L'isolant doit être installé le plus près possible de l'endroit où le conduit entre dans la partie chauffée de la maison.
- **AIR D'APPOINT :** Le code du bâtiment local peut exiger l'utilisation d'un système d'air d'appoint lors de l'utilisation d'un système de ventilation dont le nombre de pi^3/min d'air est supérieur à ce qui est indiqué. Le nombre de pi^3/min indiqué varie d'un code à l'autre. Il est de la responsabilité du propriétaire et de l'installateur de déterminer les exigences ou les normes supplémentaires pouvant s'appliquer à des installations particulières.
- Le conduit doit directement évacuer l'air à l'extérieur (et non dans le grenier, sous la maison, dans le garage ou dans un espace clos).
- Thermador recommande de ne pas installer un conduit de plus de 50 pi (15,24 m).
- Installez le conduit le plus court et le plus droit possible. Les coudes et les raccords réduisent l'efficacité de la circulation de l'air. L'utilisation de deux coudes formant un S donne de piètres résultats et elle n'est pas recommandée.
- L'utilisation d'un conduit court et droit à l'endroit où se trouve un ventilateur à distance donne de meilleurs résultats.
- Les hottes sont vendues avec un raccord circulaire de 10 po (254 mm). Vous devez vous procurer les raccords d'autres dimensions chez un détaillant.
- Utilisez le tableau « Longueur totale équivalente du conduit avec les raccords les plus fréquemment utilisés » pour calculer la longueur totale admissible du conduit.

Longueur totale équivalente du conduit avec les raccords les plus fréquemment utilisés

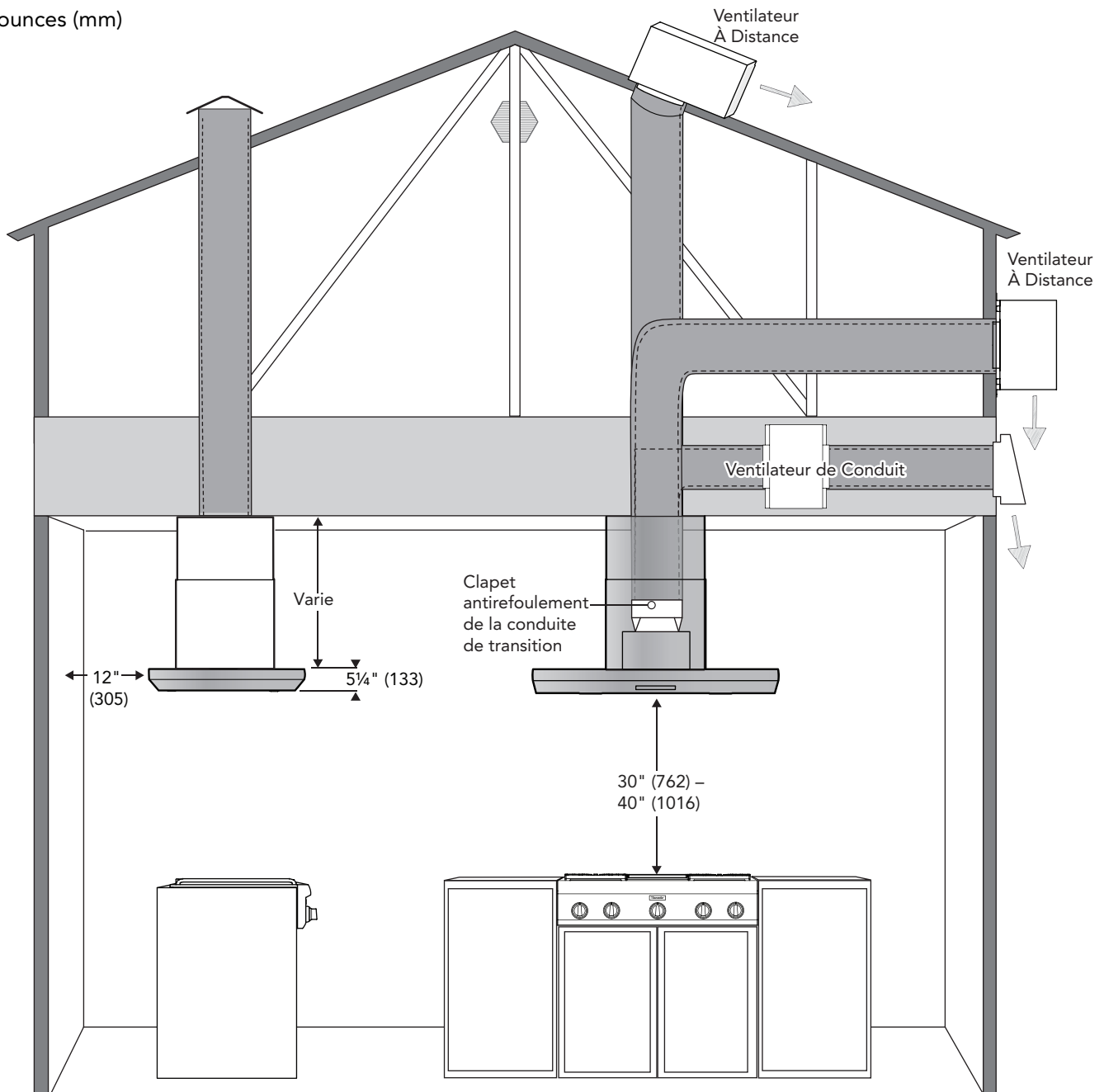
Type de conduit	Diamètre de la pièce (po)	Longueur équivalente (pi)
 Circulaire droit	6	1.2
	8	0.7
	10	0.6
 3/4 po x 10 po droit	S/O	1
 3/4 po x 14 po droit	S/O	0.7
 Coude circulaire à 90°	6	12
	8	6
	10	5
 Coude circulaire à 45°	6	5
	8	3
	10	2
 Coude de 3/4 po x 10 po à 90°	S/O	5
 Coude de 3/4 po x 10 po à 45°	S/O	15
 Coude plat de 3/4 po x 10 po	S/O	20
 Circulaire à 3/4 po x 10 po	6	1
	8	10
 3/4 po x 10 po à circulaire	6	5
	8	2
 Circulaire à coude de 3/4 po x 10 po à 90°	6	10

Type de conduit	Diamètre de la pièce (po)	Longueur équivalente (pi)
 3/4 po x 10 po à coude circulaire à 90°	6	10
 Coude inversé gauche à centre de 3/4 po x 10 po	S/O	15
 Coude inversé droit à centre de 3/4 po x 10 po	S/O	25
 Coude inversé à gauche de 3/4 po x 10 po	S/O	15
 Coude inversé à droite de 3/4 po x 10 po	S/O	25
 Bouche d'aération circulaire murale	6	2
	8	2
	10	2
 Bouche d'aération circulaire de toit	6	2
	8	2
	10	2
 Conduit souple de 3/4 po x 10 po de 2 pieds de long	S/O	20
 Support de fixation et obturateur de toit de 3/4 po x 10 po	S/O	2

NOTE : Ces pièces fréquemment utilisées sont en vente à votre quincaillerie. Thermador ne fabrique pas toutes ces pièces.

Configurations de conduits courants

pouces (mm)



REMARQUE : L'image ne présente pas toutes les dispositions ou méthodes d'installation. Elle est à titre indicatif SEULEMENT.

Installation du ventilateur

Ventilateur moteur

N'utilisez que des ventilateurs Thermador avec les hottes Thermador. Consultez le « Guide de Planification de Ventilation » pour connaître les ventilateurs recommandés. Communiquez avec le service à la clientèle pour connaître les autres options qui s'offrent à vous.

Des ventilateurs en ligne et télécommandés sont disponibles par l'entremise de votre détaillant Thermador autorisé. Pour les coordonnées d'un détaillant local, visitez la section sur la localisation des détaillants sur notre site web à www.thermador.com.

Le choix d'un ventilateur dépend du volume d'air qui doit être évacué ainsi que de la longueur et de l'emplacement du conduit. Pour les longs conduits qui comportent de nombreux coudes et changements de direction, envisagez d'utiliser un ventilateur plus puissant. Pour une évacuation d'air optimale, utilisez un conduit droit avec le moins de coudes possible (consultez la section « Préparation du conduit d'aération »).

Options de la soufflerie

Description	SKU
Moteur séparé (monté sur le toit ou sur un mur extérieur)	VTR1FZ
	VTR2FZ
Soufflerie en ligne (monté entre la cuisine et le mur extérieur)	VT11FZ
	VT12FZ

25 pi Câble de connexion du ventilateur (optionnel)

Vous pouvez vous procurer un câble de connexion pour ventilateur à distance (EXTNCB25W) de 25 pieds si vous souhaitez brancher la hotte au ventilateur à plus de 25 pieds de distance (acheté séparément). N'utilisez PAS plus d'un câble de connexion par installation.

Assemblage du raccord

Orientation de la sortie d'air

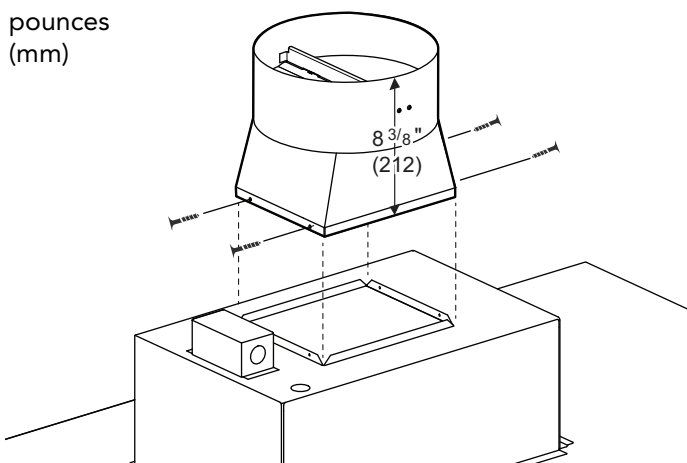
L'air vicié est évacué vers le haut par un conduit d'aération ou directement à l'air libre en traversant le mur extérieur. Le capot ne peut être monté sur le mur qu'avec une décharge verticale.

Assemblage du raccord

Les hottes sont livrées avec une conduite de transition ronde de 254 mm (10 po) de diamètre. Pour d'autres diamètres, une conduite de transition fournie dans la région est requise.

1. Alignez les trous de montage de la base du raccord avec les trous de montage de la bride de 1/2 po (13 mm) située sur le dessus ou à l'arrière de la hotte.

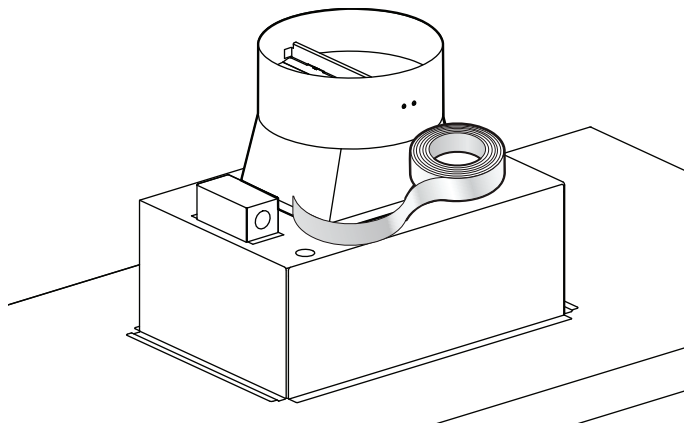
pouces
(mm)



2. Fixez le raccord à la hotte à l'aide des quatre vis à tôle de 1/4 po (6 mm) fournies avec la hotte.

Remarque : Les vis ne doivent pas nuire au fonctionnement du clapet.

3. Scellez le joint entre le raccord et la hotte avec du ruban en aluminium. N'utilisez PAS de ruban à conduit. Assurez-vous que la connexion est complètement scellée.



4. Enlevez le morceau de ruban qui tient le registre en position fermée.

Installation de la hotte

⚠ ATTENTION

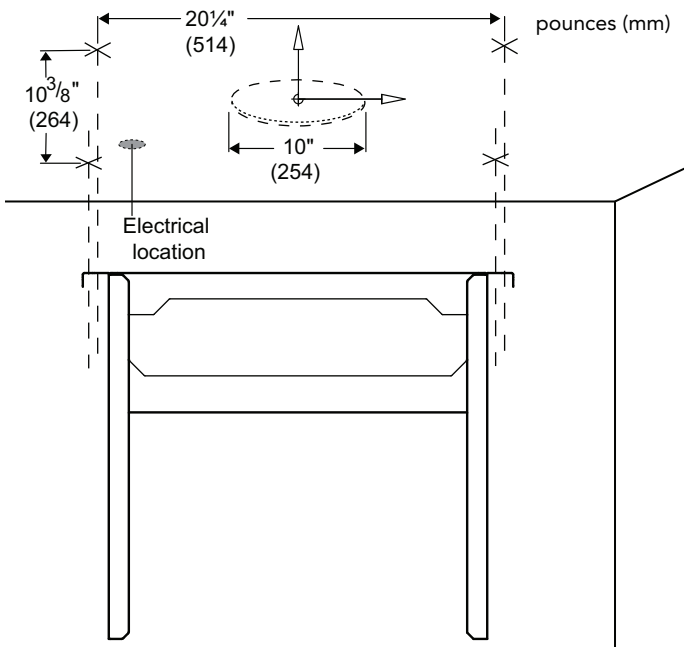
Avant de procéder à l'installation de l'appareil, éteignez l'alimentation du panneau électrique et bloquez le dispositif de déconnexion pour éviter que l'alimentation électrique ne soit accidentellement rallumée.

Découpe du plafond

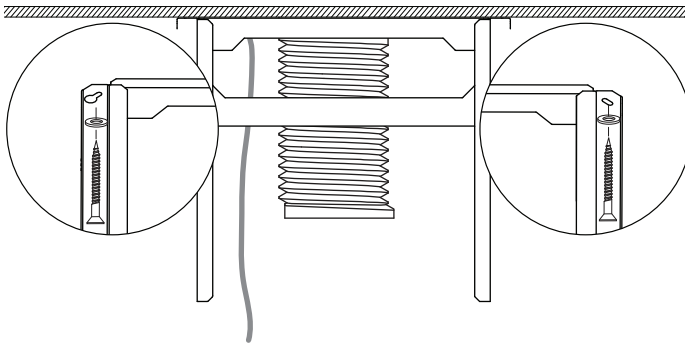
IMPORTANT : Il faut un orifice d'au moins 10 po (254 mm) de diamètre dans le plafond pour recevoir le système de gaines nécessaire à une bonne ventilation.

1. Assurez-vous de ne pas endommager de câbles ou de tuyaux qui passent dans le plafond (par ex., conduite électrique ou de gaz, tuyaux d'eau).
2. Marquez le point de centrage de l'appareil électroménager au plafond.
3. Marquez le trait de centre pour indiquer l'emplacement des quatre trous de montage selon les dimensions indiquées à l'image ci-dessous. Les trous doivent être percés dans une structure capable de prendre en charge un poids minimum de 150 livres.

Conseil : Utilisez le cadre comme gabarit pour marquer les emplacements du support de fixation.



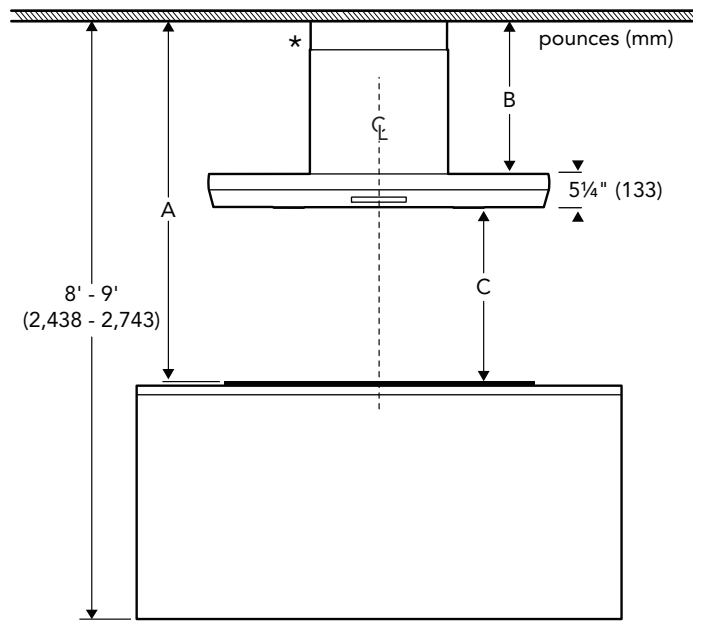
- Utilisez une mèche de 1/4 po (32 mm) pour percer l'orifice destiné à l'alimentation électrique. Selon la hauteur du plafond, assurez-vous d'avoir la longueur minimale du cordon d'alimentation requise.
- Installez le cadre porteur au plafond en insérant quatre (4) vis de 5/8 po (16 mm) avec rondelle dans les trous taraudés. Assurez-vous que l'alimentation électrique de la hotte îlot est acheminée à l'intérieur l'équerre de fixation.



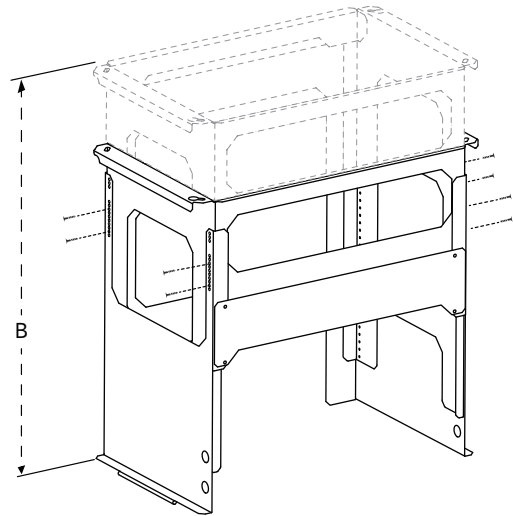
Préparation du cadre porteur de la hotte îlot

Déterminez la hauteur totale du cadre porteur.

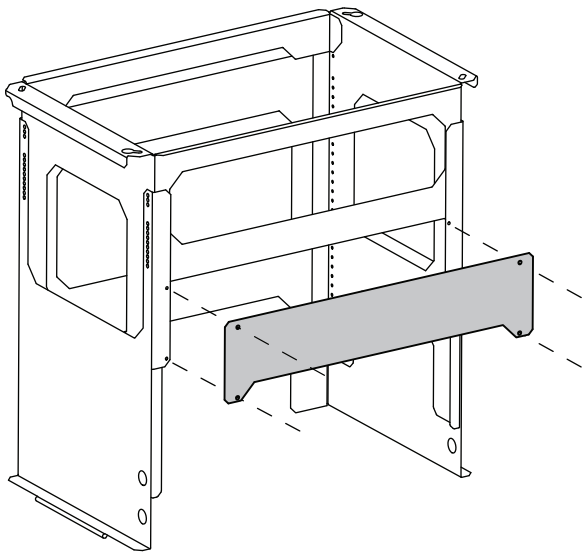
$A - 5\frac{1}{4} \text{ po} = \text{Hauteur du cadre porteur}$



- Mesurez la distance entre la surface de cuisson et le plafond (« A », figure).
- Additionnez 5 1/4 po (133 mm) à la hauteur souhaitée à partir de la surface de cuisson (« C », figure).
 - « C » doit être d'au moins 30 po (762 mm) et d'au plus 40 po (1016 mm) au-dessus de la surface de cuisson.
- Soustrayez la valeur déterminée à l'étape 2 de celle calculée à l'étape 1 pour déterminer la valeur « B ».
- Fixez solidement les côté gauche et droit du cadre porteur à la hauteur déterminée à l'étape 3, soit « B », au moyen des quatre (4) vis à tête de 1/4 au po (6 mm).

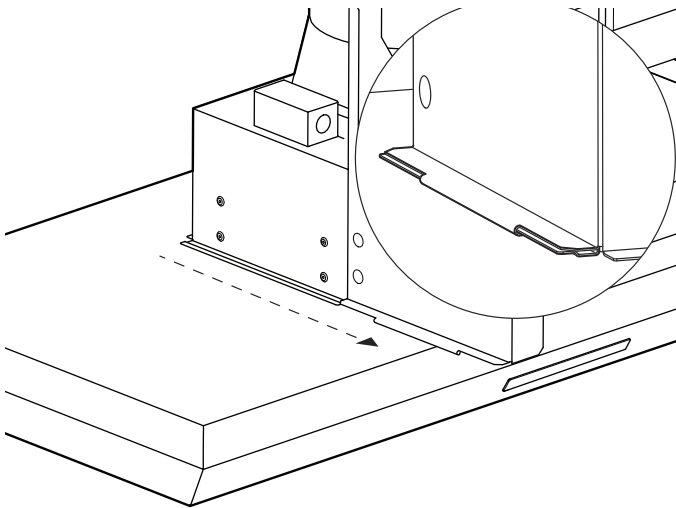


5. Retirez le panneau de dégagement.



Fixation du module de la hotte

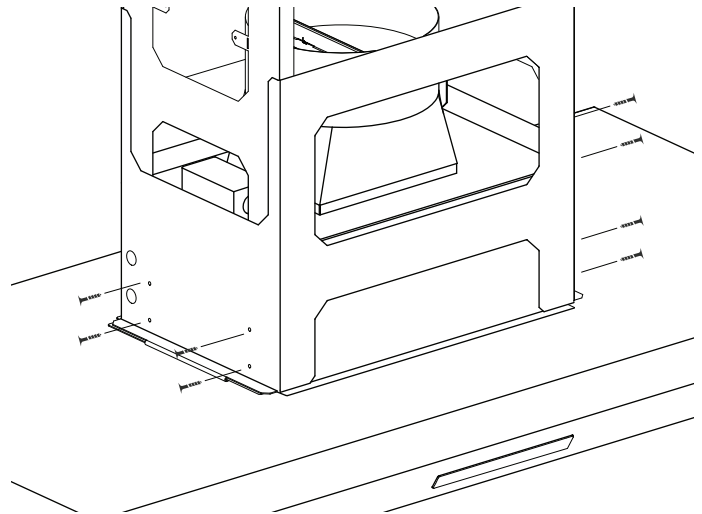
6. Soulevez la hotte assemblée de la cuisinière vers le cadre porteur. Glissez le rebord du panneau latéral sur la nervure de renforcement du cadre porteur.



7. Fixez solidement la hotte de la cuisinière au cadre porteur à l'aide des quatre (4) vis de 1/2 po (25,4 mm) dans les côté gauche et droit.

⚠ ATTENTION

NE PAS suspendre pour des périodes prolongées la hotte sur les nervures de renforcement sans l'utilisation des vis. Les nervures de renforcement ne sont pas conçues pour supporter le poids de la hotte.



Installation du ventilateur

⚠ ATTENTION

Pour réduire les risques d'incendie ou de décharge électrique, installez cette hotte uniquement avec les ventilateurs mentionnés dans le Guide de Planification de Ventilation.

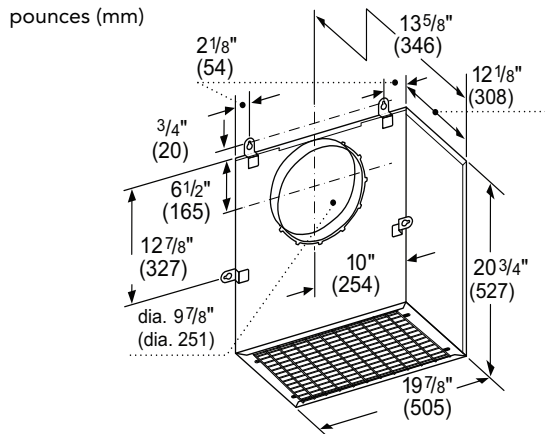
NOTE : La garantie ou la possibilité de retour ou d'échange du produit s'annule si la prise du ventilateur est coupée.

Câblage de la hotte avec un ventilateur à distance ou un ventilateur de conduit

Pour accéder aux instructions de montage complètes, consultez les directives fournies avec le module du souffleur.

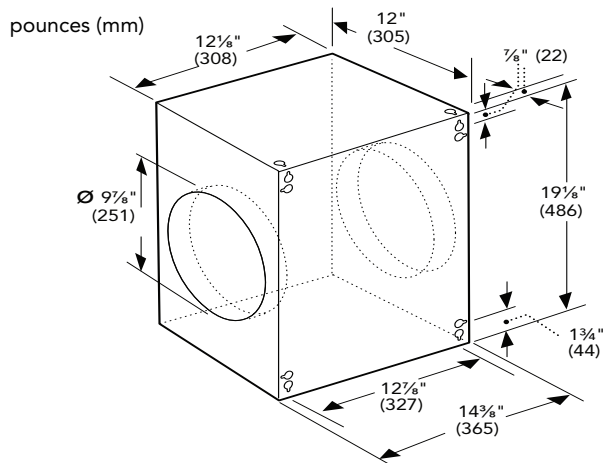
Ventilateur à distance

Selon la préférence et l'emplacement du conduit, ces ventilateurs peuvent être montés sur le toit ou un mur extérieur de la maison. Il peut être plus attrayant de l'installer à l'extérieur pour réduire le bruit dans la cuisine



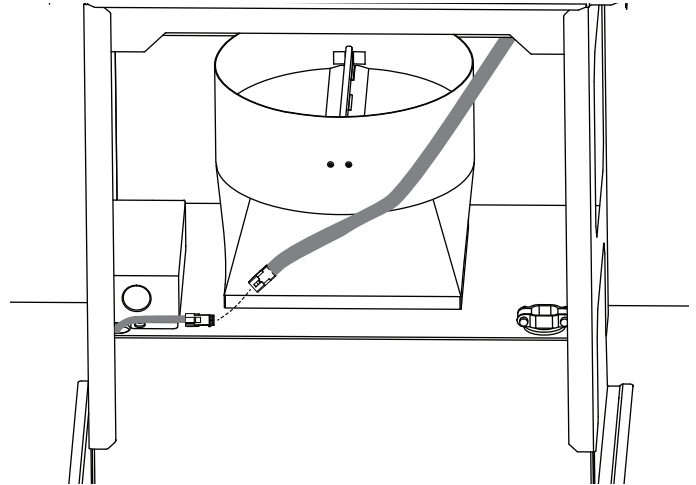
Ventilateur de Conduit

Pour minimiser le bruit dans la cuisine, ces ventilateurs sont montés le long de la ligne de conduit, n'importe où entre la cuisine et l'extérieur. Si la ligne de conduit est facile d'accès (dans le grenier, par exemple), cette option peut s'avérer attrayante.



Raccordement du souffleur

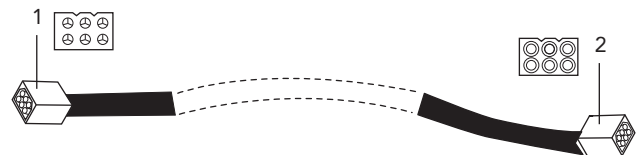
1. Acheminez la fiche du connecteur du moteur du souffleur vers la hotte. Raccordez le faisceau du souffleur à celui de la hotte.



Câble de connexion du ventilateur EXTNCB25W (optionnel)

Pour connecter le câble d'extension à la hotte

1. Acheminez le harnais du souffleur interne à travers le réducteur de tension.
2. Connectez le câble d'extension de 25 pieds au harnais du souffleur de la hotte.



- 1 Valeurs de raccordement au capot
- 2 Valeur de raccordement à une soufflerie à distance ou en ligne

NOTE : La garantie de l'appareil s'annule si le connecteur est coupé.

Le câble de rallonge du ventilateur est compatible avec les ventilateurs de conduit et à distance suivants :

Ventilateur	Modèle
Ventilateur à distance	VTR2FZ
Ventilateur à distance	VTR1FZ
Ventilateur de conduit	VTI1FZ
Ventilateur de conduit	VTI2FZ

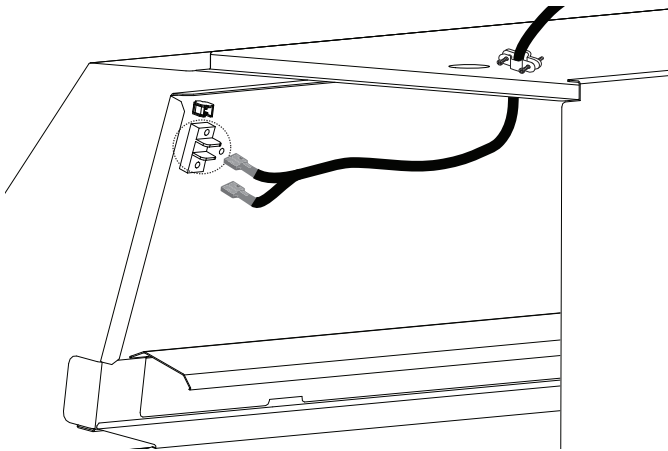
Commutateur à relais pour clapet d'appoint d'air (facultatif)

Il se peut que les codes locaux demandent l'utilisation d'un clapet antirefoulement et/ou pour air d'appoint supplémentaire. Communiquez avec un professionnel en système de chauffage, de ventilation et de climatisation (CVC) de votre région pour connaître les exigences.

La hotte dispose d'un commutateur à relais pour raccorder un clapet d'appoint d'air (max. 120 V). Les installations varient en fonction de l'emplacement de la maison où sera installé l'appareil et le clapet utilisé. Utilisez l'image ci-dessous comme guide au moment de l'installation. Respectez toujours les exigences des codes locaux.

Commutateur à relais pour clapet d'appoint d'air (facultatif)

1. Accédez au câblage de la hotte.
2. Acheminez le faisceau du clapet d'appoint d'air par le protecteur de fil vers la plaque à bornes.
 - Les raccordements électrique et de retour de la trousse d'appoint d'air s'enfichent dans n'importe quelle borne. Il n'y a aucune exigence en matière de polarité sur la plaque à bornes à deux broches.



3. Fixez solidement le fil de mise à la terre avec la vis verte de mise à la terre T-20.

Installation de la commande à distance (optionnel)

IMPORTANT : La découpe d'un connecteur à l'appareil ou à la trousse de la rallonge annulera la garantie.

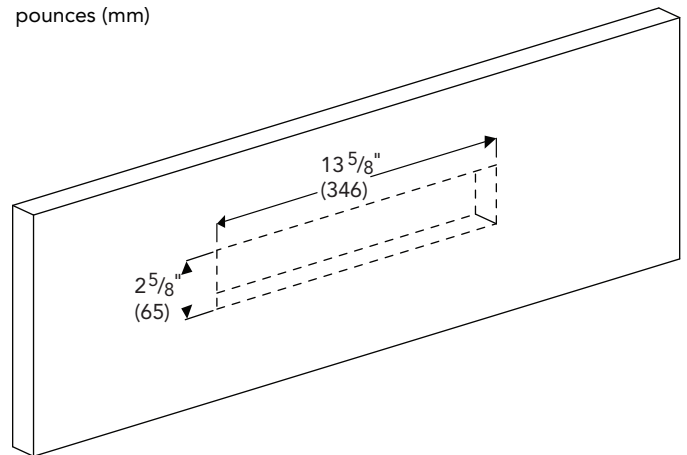
Il est recommandé de procéder au câblage de la commande à distance une fois que la hotte a été installée.

REMCPW Pièces Comprises

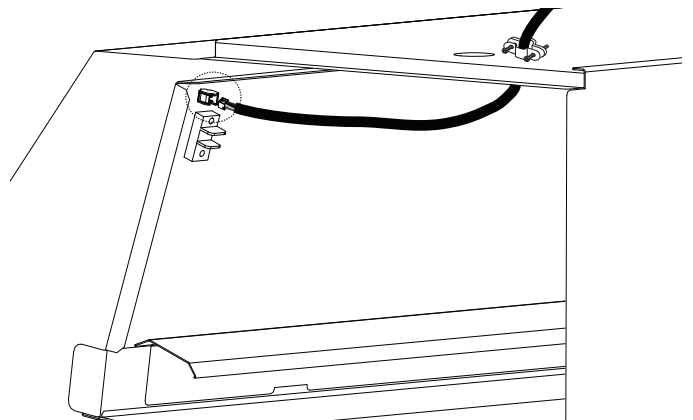
- 1 – Commande à Distances
- 1 – Faisceau d'extension de 30 pi

Installation de la commande à distance

1. Préparation du mur pour installation, comme illustré (vue face au mur).

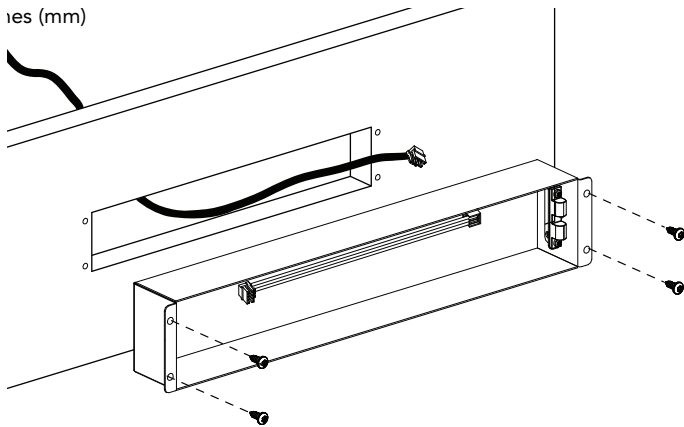


2. Accédez au câblage de la hotte. Acheminez le faisceau d'extension de 30 pi (914 cm) vers la bride de fixation carrée en passant à travers le protecteur de cordon jusqu'à ce qu'il s'enclenche.

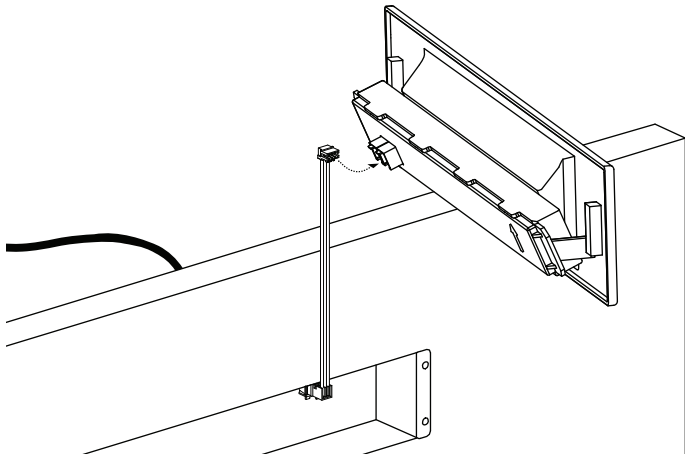


3. Faites passer le faisceau d'extension de 30 pi (914 cm) par la découpe et fixez-le au dos du support de la télécommande.

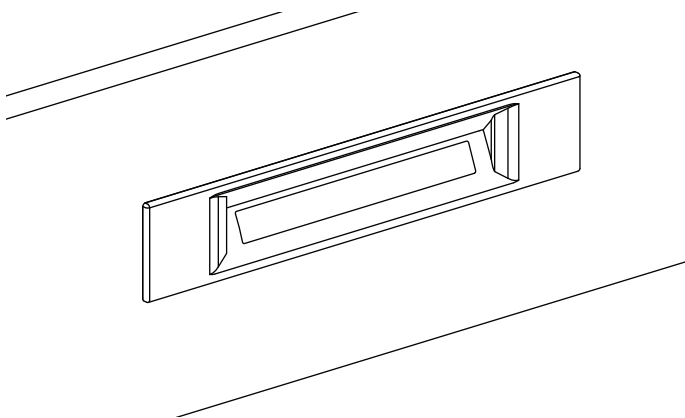
4. Fixez le support à l'intérieur de la découpe en appuyant dessus. Percez un trou taraudé de 1/4 po (6 mm) dans les trous du support pour atteindre le mur. Fixez le support au mur avec les quatre (4) vis fournies.



5. Raccordez le connecteur du faisceau de fil à l'intérieur du support à la borne au dos de la télécommande. Utilisez une borne ou l'autre.

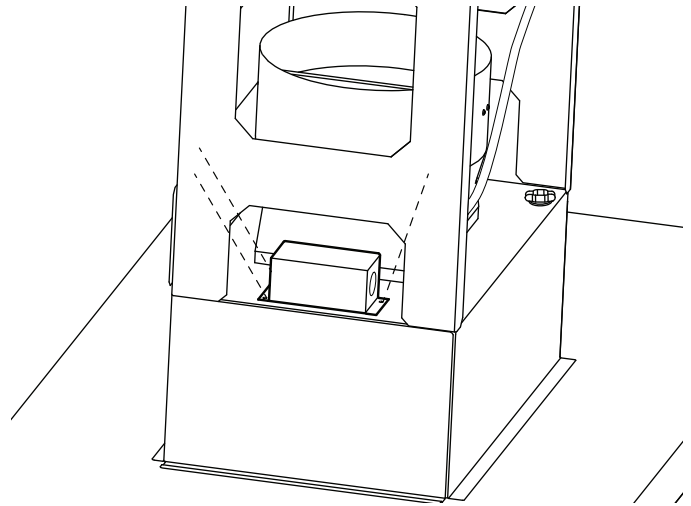


6. Enclenchez la télécommande dans le support.



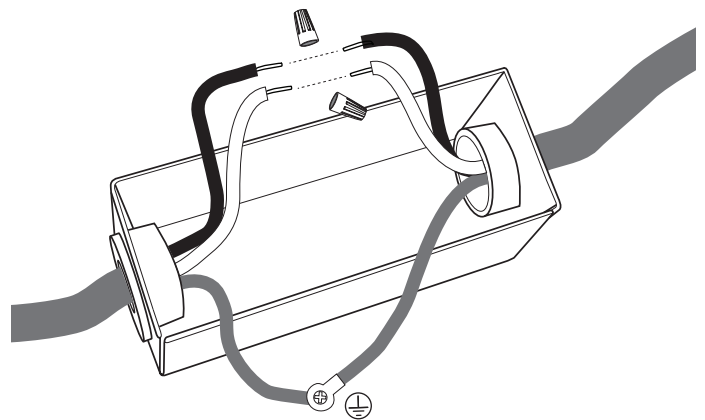
Acheminement du câblage et connexion

1. Retirez les 3 courtes vis du couvercle de la boîte de jonction puis retirez le couvercle.



2. Branchez les fils de l'alimentation électrique aux fils de la hotte dans l'ordre suivant : le noir avec le noir, le blanc avec le blanc, et le fil vert à la vis verte de mise à la terre du bâti. Utilisez les capuchons de connexion à ressort fournis.

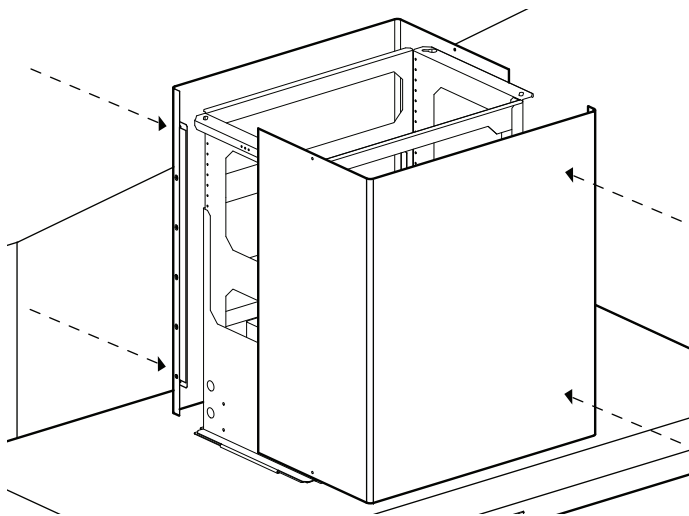
- Tout capuchon de connexion manquant ou perdu ne devrait être remplacé que par un capuchon de connexion à ressort classé pour un minimum de deux fils 18 GA et un maximum de quatre fils 14 GA, coté UL et CSA pour 600 volts et 302 °F (150 °C).



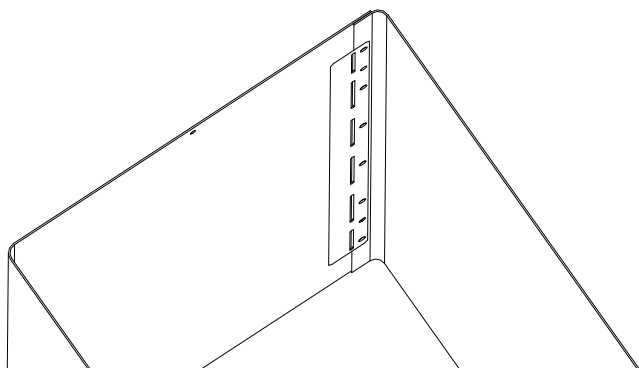
3. Remettez en place le couvercle de la boîte de jonction et fixez-la solidement avec les trois (3) courtes vis retirées plus tôt.

Installation de la cheminée télescopique

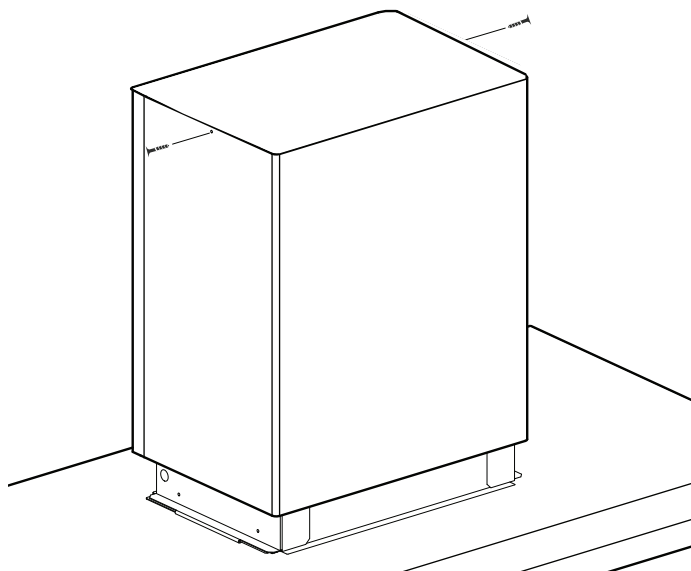
1. Recouvrez le cadre porteur de la hotte îlot installée avec les deux (2) pièces les plus longues de la cheminée télescopique.



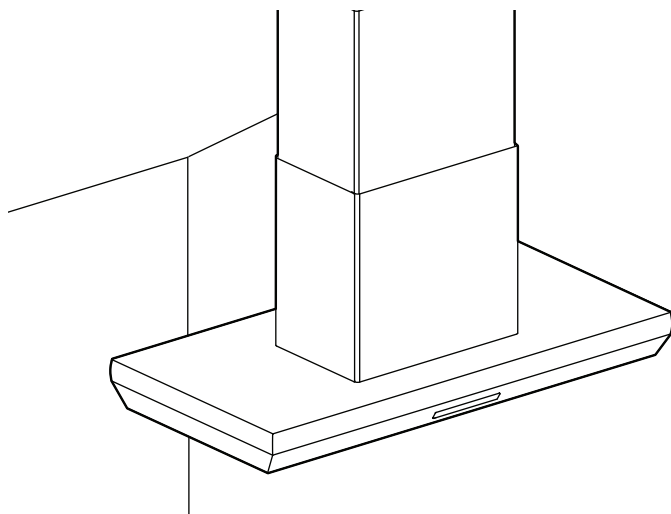
2. Les deux pièces devraient s'enclencher (aucune vis requise).



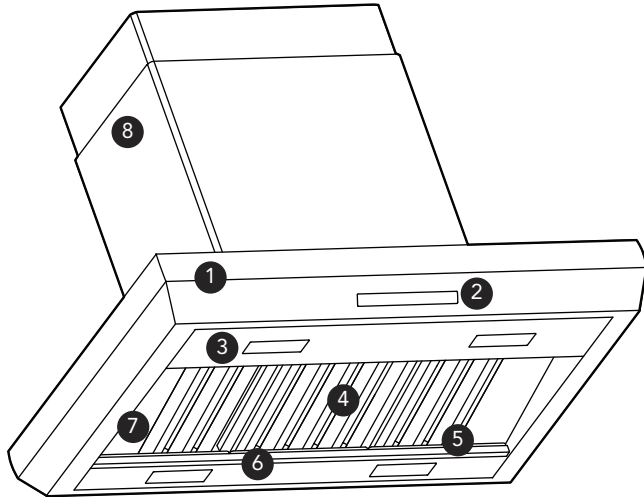
3. Fixez solidement la cheminée télescopique supérieure au cadre porteur à l'aide des deux (2) vis de 1/2 po (25,4 mm) dans les côté gauche et droit .



4. Recouvrez la cheminée télescopique supérieure avec les deux (2) pièces les plus courtes de la cheminée télescopique. Les deux pièces devraient s'enclencher (aucune vis requise). La hotte îlot soutiendra la cheminée télescopique inférieure.



Installation des plateaux à graisse et des filtres

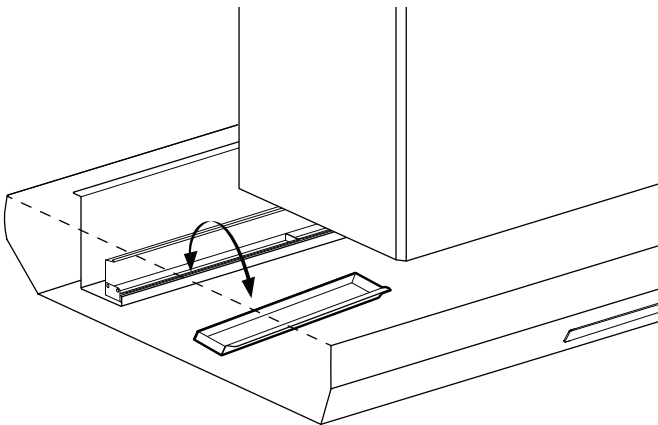


- | | |
|-----------------------|------------------------------------|
| (1) Canopée | (2) Bandeau de commande tactile |
| (3) DEL s'allume | (4) Filtres |
| (5) Plateau à graisse | (6) Rainure des plateaux à graisse |
| (7) Filtre entretoise | (8) Cheminée télescopique |

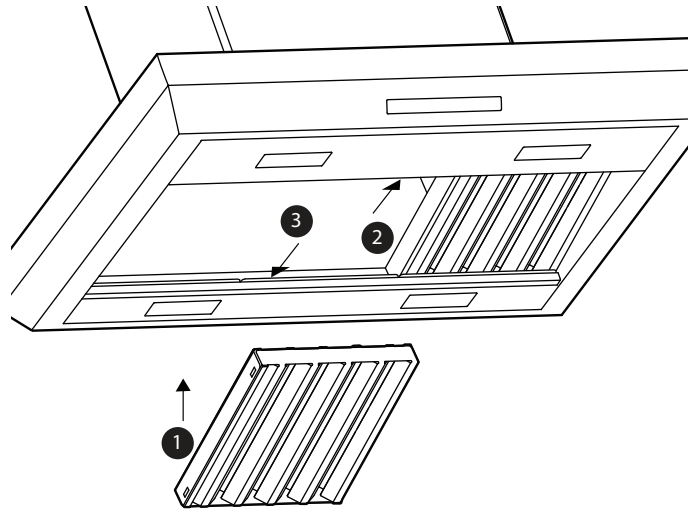
Installez les filtres et les plateaux à graisse

NOTE : N'utilisez pas la surface de cuisson lorsque la hotte n'est pas assemblée.

1. Tournez le ventilateur et lumières éteintes.
2. Enlevez tout le plastique des pièces de la hotte.
3. Insérez les pièces dans l'ordre suivant :
 - Plateaux à graisse — poussez les plateaux dans la partie inférieure de l'intérieur de l'appareil. Les plateaux à graisse doivent être en place avant l'installation des filtres.



- Filtres — Commencez par insérer le filtre de 8 po au centre, puis ajoutez les autres jusqu'aux bords. Poussez vers le haut et faites glisser vers l'avant de la hotte, puis poussez vers le fond.



- Filtre entretoise — Le cas échéant, insérez les entretoises de filtre aux extrémité gauche et droite. Les plateaux à graisse doivent être en place avant l'installation des filtres.
4. Filtres — Commencez par insérer le filtre de 8 po au centre, puis ajoutez les autres jusqu'aux bords. Poussez vers le haut et faites glisser vers l'avant de la hotte, puis poussez vers le fond.

Service et liste de vérification de l'installateur

Liste de vérification à l'intention de l'installateur

Vérification final

_____ Espaces libres indiqués respectés par rapport à la surface de cuisson.

_____ L'appareil est de niveau.

_____ Tout le matériel d'emballage a été enlevé.

_____ Le propriétaire sait où se trouve le tableau de disjoncteurs.

_____ Mise à la terre adéquate.

_____ Écrivez le numéro de modèle et le numéro de série sur trouvant sur la plaque signalétique dans le Manuel d'Utilisation et d'Entretien. Laissez le Manuel d'Utilisation et d'Entretien et le Manuel d'Installation au propriétaire de l'appareil.

- Vous pouvez nettoyer l'acier inoxydable en le frottant avec un chiffon doux et de l'eau savonneuse tiède. Frottez et séchez toujours l'acier inoxydable dans le sens du grain. Rincez-le à l'eau claire et séchez-le avec un chiffon doux.
- NE laissez PAS les dépôts rester pendant de longues périodes.
- N'utilisez PAS de laines ou brosses d'acier ordinaires. De petits dépôts d'acier pourraient adhérer à la surface et la faire rouiller.
- NE permettez PAS que des solutions salées, des éponges ou produits nettoyants abrasifs, des désinfectants, de l'eau de Javel ou d'autres produits nettoyants restent en contact avec l'acier inoxydable pendant de longues périodes. Plusieurs de ces produits contiennent des produits chimiques potentiellement nuisibles. Rincez avec de l'eau après chaque exposition et séchez avec un chiffon propre.

Avant d'appeler le service à la clientèle

Dépannage

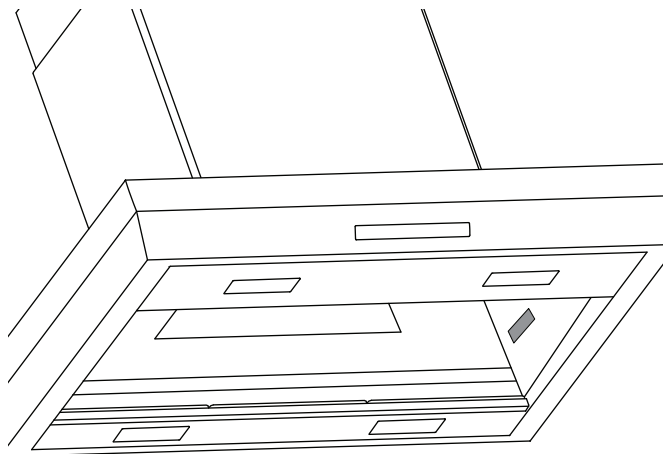
Consultez la section dépannage du manuel d'utilisation et d'entretien. Rapportez-vous à la garantie du manuel d'utilisation et d'entretien. Ayez à portée de la main les renseignements imprimés sur la plaque signalétique de votre appareil lorsque vous appelez le service à la clientèle.

Consultez les coordonnées apparaissant au verso du manuel pour joindre un représentant du service à la clientèle. Ayez à portée de la main les renseignements imprimés sur la plaque signalétique de votre appareil lorsque vous appelez le service à la clientèle.

Plaque signalétique du produit

La plaque signalétique indique le numéro de modèle et le numéro de série. Elle se trouve derrière les filtres. Rapportez-vous à la plaque signalétique lorsque vous demandez du service.

La plaque se trouve sur le boîtier, derrière le filtre. Enlevez le filtre pour la consulter.



Índice

Seguridad	39
Instrucciones de seguridad importantes	39
Planificación previa	42
Antes de comenzar	42
Información general	43
Instrucciones de instalación	44
Requisitos instalación	44
Exigencias eléctricas	45
Preparación del conducto de aireación	45
Junta de la campana	48
Instalación del campana	49
Instalación del motor del ventilador	51
Tendido de cables y conexión	52
Cable de conexión del ventilador EXTNCB25W (opcional)	52
Interruptor de relé de regulador de tiro de aire de compensación (opcional)	52
Instalación del mando a distancia (opcional)	53
Instalación de la chimenea telescópica	54
Cómo instalar las bandejas para la grasa y los filtros	55
Servicio y lista de chequeo del instalador	56
Lista de comprobaciones del instalador	56
Antes de solicitar servicio	56
Placa de señalización del producto	56
Servicio, piezas, y accesorios	contraportada

Este electrodoméstico de THERMADOR[®]
está hecho por BSH Home Appliances Corporation
1901 Main Street, Suite 600
Irvine, CA 92614

¿Preguntas?

1-800-735-4328

www.thermador.com

¡Esperamos oír de usted!

⚠ INSTRUCCIONES IMPORTANTES DE SEGURIDAD

LEER Y CONSERVAR ESTAS INSTRUCCIONES

Esta guía de uso y mantenimiento explica los aspectos básicos del manejo del aparato y otras medidas de seguridad que es preciso seguir. Para obtener información relativa a una instalación completa y segura, consultar las instrucciones de instalación que se incluyen con el aparato.

Todos los manuales de productos están disponibles en línea para su descarga en www.thermador.com/us/support/owner-manuals o www.thermador.ca/en/support/owner-manuals.

INSTALADOR: se ruega dejar estas instrucciones con esta unidad para el propietario.

PROPIETARIO: se ruega conservar estas instrucciones para consultar en el futuro. Leer íntegramente las instrucciones antes de utilizar el aparato. El instalador debe mostrar al usuario dónde se encuentran el breaker del circuito eléctrico y la llave de cierre del gas, para que sepa dónde puede desconectar el suministro eléctrico y de gas del aparato.

Definiciones de seguridad

⚠ **ADVERTENCIA:** No respetar esta indicación puede producir lesiones graves o la muerte.

⚠ **PRECAUCIÓN:** No respetar esta indicación puede producir lesiones leves o moderadas.

ATENCIÓN: No respetar esta indicación puede producir daños materiales o en el aparato.

Nota: alerta sobre información y/o consejos importantes.

ADVERTENCIA

Corte la alimentación eléctrica y bloquee el panel del disyuntor antes de instalar el cableado de este aparato. Requisitos: 120 VCA, 60 Hz, 15 A o 20 A en algunos modelos. Antes de proceder al mantenimiento del aparato, déjelo enfriar una vez haya cortado la alimentación.

ADVERTENCIA



Si no sigue rigurosamente la información contenida en este manual podría provocar un incendio o una explosión, y como resultado podría causar daños a la propiedad, lesiones o la muerte.

- No guarde o use materiales combustibles, gasolina u otros productos inflamables, bajo cualquier tipo de envase cerca de esta placa de cocción o de cualquier otro aparato.
- **QUÉ HACER EN CASO DE OLER A GAS**
 - No trate de encender ningún aparato.
 - No toque ningún interruptor eléctrico.
 - No use ningún teléfono en su casa.
 - Llame de inmediato a su proveedor de gas desde el teléfono de algún vecino y siga las instrucciones de su proveedor de gas.
 - Cuando no pueda localizar a su proveedor de gas, llame a los bomberos.
- Un instalador cualificado, una agencia de servicio autorizada o el proveedor de gas debe realizar la instalación y el servicio.

ADVERTENCIA

Dispositivo automático

Para evitar el riesgo de lesiones desconectar siempre el aparato de la red eléctrica antes de realizar cualquier trabajo.

ADVERTENCIA

No repare ni reemplace ninguna pieza del aparato a menos que el presente manual lo recomiende expresamente. La instalación, reparación y el mantenimiento incorrectos del aparato pueden causar lesiones a personas, daños a la propiedad, o anular la garantía del producto. Consulte este manual para obtener consejos. Un técnico cualificado debe llevar a cabo todos los demás trabajos de mantenimiento.

⚠ INSTRUCCIONES IMPORTANTES DE SEGURIDAD

LEER Y CONSERVAR ESTAS INSTRUCCIONES

ADVERTENCIA

PARA REDUCIR EL RIESGO DE INCENDIO, DE DESCARGA ELÉCTRICA Y DE LESIONES, SIGA LAS SIGUIENTES INSTRUCCIONES:

- Sólo use este aparato de la manera prevista por el fabricante. Si tiene preguntas, póngase en contacto con el fabricante.
- Antes de limpiar o de proceder al mantenimiento del aparato, corte la alimentación eléctrica en el panel y bloquee el dispositivo de desconexión para evitar que se vuelva a encender la alimentación eléctrica por error. Si el dispositivo de corte de electricidad no se puede bloquear, ponga una advertencia (como una etiqueta) fácilmente visible en el disyuntor. Póngase en contacto con el fabricante a la dirección o al número de teléfono que figuran en la página posterior.

ADVERTENCIA



RIESGO DE DESCARGA ELÉCTRICA

- No quite la clavija de toma de tierra.
- No use un alargador eléctrico.
- Una toma de tierra inadecuada para el aparato puede aumentar los riesgos de descarga eléctrica.
- El hecho de no seguir las instrucciones de este manual puede causar la muerte o provocar un incendio o una descarga eléctrica.

Instrucciones para la toma de tierra

Para el correcto funcionamiento de este aparato debe realizarse la toma de tierra. En el caso de un cortocircuito, la toma de tierra reduce los riesgos de descarga eléctrica proporcionando a la corriente eléctrica una vía de escape segura.

Asegúrese de que un electricista cualificado efectúe la conexión y la toma de tierra de este aparato. La instalación, la conexión eléctrica y la toma de tierra deben cumplir con todos los códigos vigentes.

Si lo exige el Código nacional de la electricidad (o el Código Canadiense de la electricidad, este aparato se debe instalar en un circuito de derivación separado.

ADVERTENCIA

Para reducir los riesgos de incendio y de descargas eléctricas, no utilice este aparato con un dispositivo electrónico de control de velocidad.

Normas y códigos de seguridad

Este aparato respeta una o varias de las normas siguientes:

- UL507, norma de seguridad para ventiladores eléctricos.
- CAN/CSA-C22.2 No. 113 – ventiladores

Corresponden al dueño y al instalador determinar si se deben aplicar requisitos o normas adicionales a la instalación específica.

PRECAUCIÓN



El aparato es pesado. Se necesitan por lo menos dos personas, o el equipo adecuado, para levantarlo y desplazarlo.

Las superficies ocultas del aparato pueden tener salientes cortantes. Tenga cuidado al manipular el aparato. De lo contrario, podría causar de daños a la propiedad o lesiones corporales.

Advertencia en virtud de la Proposición 65:

Este producto puede contener un químico que el Estado de California reconoce como potencialmente cancerígeno o causante de daños reproductivos. Por tanto, su producto debe llevar en su embalaje la siguiente etiqueta de conformidad con la legislación de California:

Advertencia en virtud de la Proposición 65 del estado de California: :

⚠ **ADVERTENCIA**

Cancerígeno o causante de daños reproductivos -
www.P65Warnings.ca.gov

Nunca modifique la construcción del aparato. Por ejemplo, no quite los paneles laterales, los cubre cables, los tornillos o los soportes.

PRECAUCIÓN

Sólo para ventilación general. No use este aparato para evacuar gases o materiales explosivos o peligrosos. Para reducir el riesgo de incendio, sólo use conductos metálicos.

Contrate a un instalador cualificado.

Retire toda la cinta y el embalaje antes de usar el electrodoméstico. Desechar el embalaje de manera respetuosa con el medio ambiente. Nunca deje que los niños jueguen con el material de embalaje.

⚠ INSTRUCCIONES IMPORTANTES DE SEGURIDAD

LEER Y CONSERVAR ESTAS INSTRUCCIONES

ADVERTENCIA: PARA REDUCIR EL RIESGO DE INCENDIO, DE DESCARGA ELÉCTRICA O DE LESIÓN, SIGA LAS SIGUIENTES INSTRUCCIONES:

- Los trabajos de instalación y de cableado eléctrico deben de llevarse a cabo por una persona cualificada conforme a las estipulaciones de todas las normas y regulaciones vigentes, incluso las normas de construcción clasificadas como resistentes al fuego.
- Para evitar contracorrientes, se requiere una cierta cantidad de aire para la combustión y la evacuación de los gases por el tiro del aparato de combustión. Siga las indicaciones de calentamiento del fabricante del aparato y las normas de seguridad, como las publicadas por la National Fire Protection Association (NFPA), la Heating, Refrigeration and Air Conditioning Engineers (ASHRAE) y las autoridades locales.
- No extraiga el aire hacia los espacios entre las paredes, el techo, el ático, los vacíos sanitarios o el garaje.
- Los ventiladores con conductos siempre deben extraer el aire hacia afuera.
- Los ventiladores entubados siempre deben ser ventilados hacia el exterior.
- UTILICE SÓLO CONDUCTOS METÁLICOS.
- Cuando corte o perforo una pared o un techo, asegúrese de no dañar el cableado eléctrico o cualquier otra instalación técnica que pueda estar oculta.

PRECAUCIÓN

Se debe instalar un ventilador exterior detrás de las rejillas o en un lugar donde sea poco probable que se ubique la entrada de extracción de agua.

Planificación previa

Antes de comenzar

⚠ ADVERTENCIA

El montaje incorrecto de electrodomésticos de gas y campanas extractoras puede provocar un riesgo de escape de monóxido de carbono, que puede resultar dañino. Para reducir el riesgo de intoxicación por monóxido de carbono, asegurarse de que el electrodoméstico de gas esté correctamente instalado según las instrucciones del fabricante, así como de que la campana extraiga el aire hacia el exterior para la correcta extracción de gases o humos.

Los electrodomésticos de gas liberan monóxido de carbono que puede ser dañino o fatal si se inhala. Para reducir el riesgo de incendio y para extraer adecuadamente el aire, los gases de escape que extraiga la campana deben ventilarse únicamente hacia el exterior del edificio.

Consultar los códigos de construcción locales respecto a los requisitos o restricciones sobre la instalación de productos de ventilación en modo de recirculación.

La altura de instalación de la campana extractora sobre la placa de cocción, parrilla de gas empotrable o estufa puede variar. Para obtener la altura de instalación necesaria sobre una placa de cocción, parrilla de gas o estufa, consultar el manual de instalación del aparato o la matriz de combinaciones.

AVISO: la campana podría dañarse por un exceso de calor si se opera una estufa o parrilla de estufa con varios quemadores en configuraciones altas, situada debajo de una campana que esté instalada a distancias mínimas y apagada.

Distancia desde la superficie de cocción

Por encima de una placa de cocción, parrillas de estufa o estufa, se recomienda una altura de instalación mínima de 30" (762 mm); sin embargo, es necesario seguir las instrucciones de instalación del fabricante del electrodoméstico para obtener la altura adecuada de la campana.

Consultar los códigos de construcción locales para ver los requisitos o restricciones durante la instalación de productos de ventilación en modo de recirculación.

Piezas Proporcionadas

- Racor metálico con registro anti retorno
- Filtros
- Bandejas para la grasa
- Separadores de filtro

- Bastidor de soporte
- Chimenea telescópica
- Juego de elementos de fijación *

* Los elementos de fijación proporcionados sirven para fijar el aparato a los travesaños de la pared, a través de tablas de yeso de grosor estándar. Los instaladores son los responsables de proporcionar los elementos de fijación para el resto de posibles situaciones de montaje.

Piezas y herramientas requeridas

- Ventilador (Consultar la «Guía de Planeación de Ventilación» para obtener información sobre los ventiladores compatibles.)
- Conducto de aireación, según las necesidades (See "Longitud total equivalente del conducto con los racores más comunes " on page 46)
- Cinta de aluminio (**NO use cinta para conductos.**)
- Tubo protector de 1/2 pulg. (13 mm) si es necesario, siga los códigos locales
- Prensacable de 1 pulg. (25,4 mm)
- Destornilladores Phillips
- Destornillador Torx T-20
- Llave de tuerca o carraca y boquilla de 11/32"
- Taladro con broca 3/16" (4.76 mm)
- Pelacables
- Sierra circular o caladora
- Cinta métrica
- Guantes de protección

NOTA: No tire el embalaje antes de que el aparato esté completamente instalado.

Los accesorios opcionales están disponibles para su compra por separado

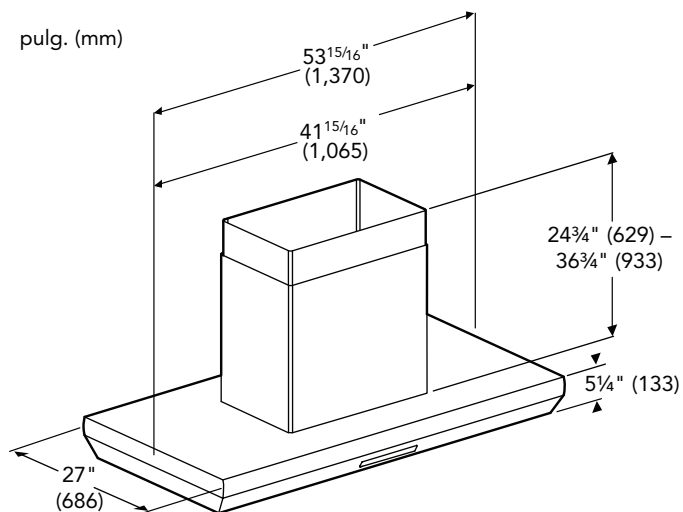
Consulte www.thermador.com para obtener más detalles.

Accessories	Description
EXTNCB25W	Cable de conexión de 25 pies para soplador
EXTNSET4	Kit de adaptador de cable de extensión de módulo de ventilador y ventilador en línea de 25 pies
RFPLT600P	Placa de techo para utilizarse con módulo de ventilador VTR1FZ
RFPLT1000P	Placa de techo para utilizarse con módulo de ventilador VTR2FZ
REMCPW	Mando a distancia

Información general

Dimensiones totales

HPINxxWS – 27" (686 mm) de profundidad con anchuras de 42" (1067 mm) y 54" (1372 mm). Esta serie de modelos posee un techo de acero inoxidable cepillado, luces LED.



IMPORTANTE: La campana debe estar centrada sobre la placa de cocción para obtener resultados óptimos.

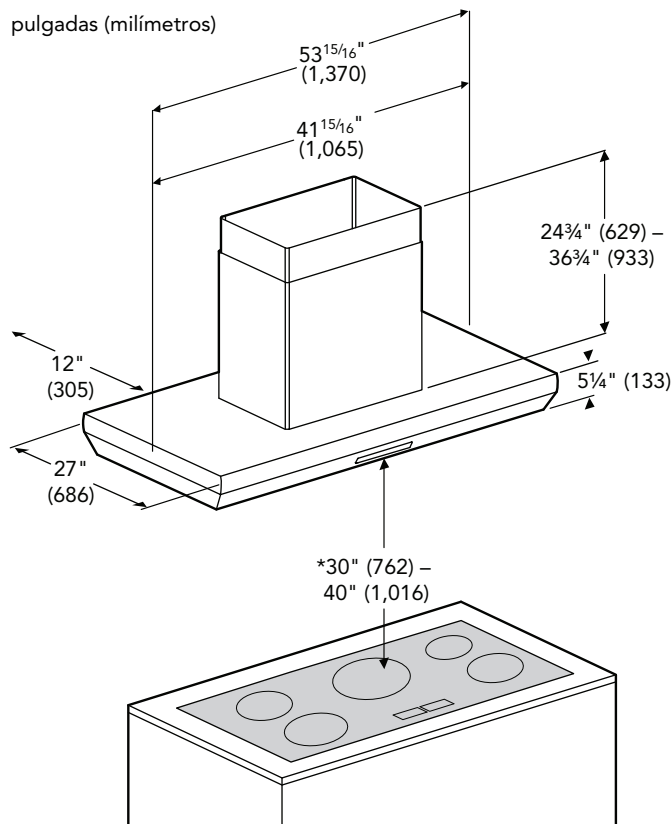
Instrucciones de instalación

Requisitos instalación

Espacios y requisitos

El aparato está diseñado para extraer el aire fuera. No se puede usar con un sistema de recuperación de aire.

La altura de instalación de la campana sobre una placa de cocción o de una estufa puede variar. Para respetar la altura de instalación necesaria sobre una placa de cocción o una estufa, consulte el manual de instalación del aparato.



*Siga las recomendaciones del fabricante del aparato.

Anchura de la campana extractora

- Esta campana extractora está diseñada solo para una instalación tipo isla. Hay una distancia mínima de 12" (305 mm) desde la parte posterior hasta el borde de la campana extractora de la isla.
- La anchura de la campana extractora no debe ser inferior a la anchura de la superficie de cocción. Para obtener un desempeño adecuado, la carcasa debe cubrir la totalidad de la superficie de cocción del aparato.
- Para obtener un desempeño adecuado, la campana extractora debe estar centrada horizontalmente sobre la superficie de cocción. Si no hay limitaciones de espacio se puede usar una campana extractora más ancha para aumentar la superficie de aspiración.

Distancia desde la superficie de cocción

- La altura de instalación de la campana sobre la placa de cocción, parillas de estufa o estufa puede variar.
- La altura de instalación varía desde una altura mínima de 30" (762 mm) hasta una altura máxima sugerida de 40" (1,016 mm). Sin embargo, es necesario seguir las instrucciones de instalación del fabricante del electrodoméstico para la altura adecuada de la campana.

AVISO: la campana podría sufrir daños por el calor si se opera una estufa o parrilla de estufa de la serie Thermador Professional® con varios quemadores en configuraciones altas, situada debajo de una campana que esté instalada a distancias mínimas mientras la campana está apagada.

Peso del aparato

- Esta campana de ventilación es pesada. Se debe proporcionar la estructura y el soporte adecuados en todos los tipos de instalaciones.
- Al calcular la carga para el sistema de soporte de la carcasa, asegurarse de tener en cuenta el peso del aparato de ventilación.

Modelo	Peso instalado
HPIN42WS	105 lbs. (47.6 kg)
HPIN54WS	122 lbs. (55.3 kg)

AVISO:

Los pesos mencionados sólo se aplican al aparato de ventilación y al ventilador. El instalador debe tener en cuenta el peso del material de construcción al calcular la carga permanente total de la instalación, incluso, sin limitarse a ello, de los elementos siguientes: pared, baldosas, cemento, yeso, ladrillos, acabados, tabiques y otros componentes arquitectónicos y estructurales. Incumbe al dueño y al instalador determinar si se deben aplicar requisitos o normas adicionales a la instalación específica.

Estructura de soporte

- Los armazones deben fijarse unos con otros así como a las viguetas del techo para proporcionar suficiente resistencia estructural para soportar el peso de la campana y el ventilador interno, si corresponde.
- El armazón debe estar hecho de madera de construcción, con un mínimo de 2" x 4". Se requiere soporte estructural adecuado para acomodar el peso de la campana.

Ventilación

- La campana requiere que los conductos se ventilen hacia el exterior del edificio.

Exigencias eléctricas

⚠ ADVERTENCIA

Se debe realizar una toma de tierra para este aparato.

- Se debe conectar este aparato a un circuito de derivación de 120 VCA, 60 Hz, 15 A.
- Se debe conectar la campana únicamente a un tomacorriente mural con toma de tierra instalada conforme a las regulaciones vigentes.
- Cuando están protegidas por un interruptor de fallos con toma de tierra (GFCI), las campanas Professional de Thermador pueden utilizarse en sitios húmedos, protegidos de las condiciones meteorológicas exteriores y no sujetos a saturaciones de agua u otros líquidos, aunque presenten cierto grado de humedad (como en terrazas cubiertas o verandas). Consulte los códigos locales, el código nacional de la electricidad o el Código canadiense de la electricidad así como la autoridad competente para obtener más información.
- Consulte los códigos de construcción locales para conocer el método de instalación adecuado. En EEUU, si no hay un código local vigente, se debe instalar este aparato conforme a la edición más reciente de la norma 70 del Código nacional de la electricidad ANSI/NFPA. En Canadá, la instalación se debe hacer conforme a las normas CAN 1- B149.1 y .2 para aparatos de gas o los códigos locales vigentes.
- Se venden cables de conexión para ventilador a distancia (EXTNCB25W) de 25 pies si se quiere conectar la campana a un ventilador a más de 25 pies de distancia (adquirido por separado). NO utilice más de un cable de conexión para cada instalación.

Datos eléctricos de la placa de señalización





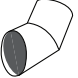
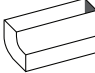
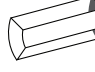
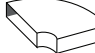
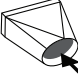

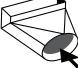
- Los datos eléctricos del aparato, incluidos el número de modelo y el número de serie, se encuentran en la placa de señalización situada en el interior del aparato, visible cuando se quita el marco de los filtros. (Consulte la sección «Placa de señalización del producto».)


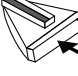
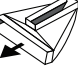
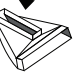



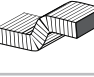

Preparación del conducto de aireación

- El aire debe ser evacuado hacia arriba mediante un conducto o directamente fuera a través de la pared exterior.
- Recomendaciones para el conducto
- El buen rendimiento depende de un conducto adecuado. El código de construcción local puede exigir que se use un sistema de aire de recambio, cuando se use un sistema de ventilación con conductos cuya cantidad de pi^3/min de aire sea superior a lo indicado. Los pies cúbicos por minuto varían de un sitio a otro. Incumbe al dueño y al instalador determinar si se deben aplicar requisitos o normas adicionales a la instalación específica.

- **NO USE CONDUCTOS FLEXIBLES.** Esos conductos crean turbulencias y reducen el rendimiento. Instale siempre una tapa metálica en el lugar donde salga el conducto de la casa. La campana solo debe ventilarse hacia el exterior del edificio.
- **TEMPERATURAS FRÍAS.** Para una instalación donde las condiciones meteorológicas son frías, se debe instalar un registro anti retorno adicional para minimizar la entrada de aire frío de fuera, con un aislante térmico no metálico que minimice la conducción de la temperatura exterior hacia el conducto. El registro debe colocarse en el aislante térmico, en el lado del aire frío. El aislante se debe instalar tan cerca como sea posible de la parte donde el conducto entra en la parte caliente de la casa.
- **AIRE DE RECAMBIO:** El código de construcción local puede exigir que se use un sistema de aire de recambio cuando se usa un sistema de ventilación con conductos cuya cantidad de pi^3/min de aire es superior a lo indicado. La cantidad de pi^3/min indicada varía de un código a otro. Corresponden al dueño y al instalador determinar si se deben aplicar requisitos o normas adicionales a la instalación específica.
- Por razones de seguridad, el conducto debe extraer directamente el aire hacia el exterior (y no en el ático, bajo la casa, en el garaje o en un espacio cerrado).
- Thermador recomienda que la longitud total no exceda 50 pi (15,24 m).
- Instale el conducto más corto y recto que pueda. Los codos y las juntas reducen la eficacia de la circulación de aire. El uso de dos codos en forma de «S» o más, da malos resultados y no es recomendable.
- El uso de un conducto corto y recto en el lugar donde se instala un ventilador a distancia da mejores resultados.
- Las campanas se venden con una junta circular de 10 pulg. (254 mm). Deben de comprarse juntas si son de dimensiones distintas.
- Utilice la tabla «Longitud total equivalente del conducto con los racores más comunes» para calcular la longitud total aceptable del conducto entre la campana y el exterior.

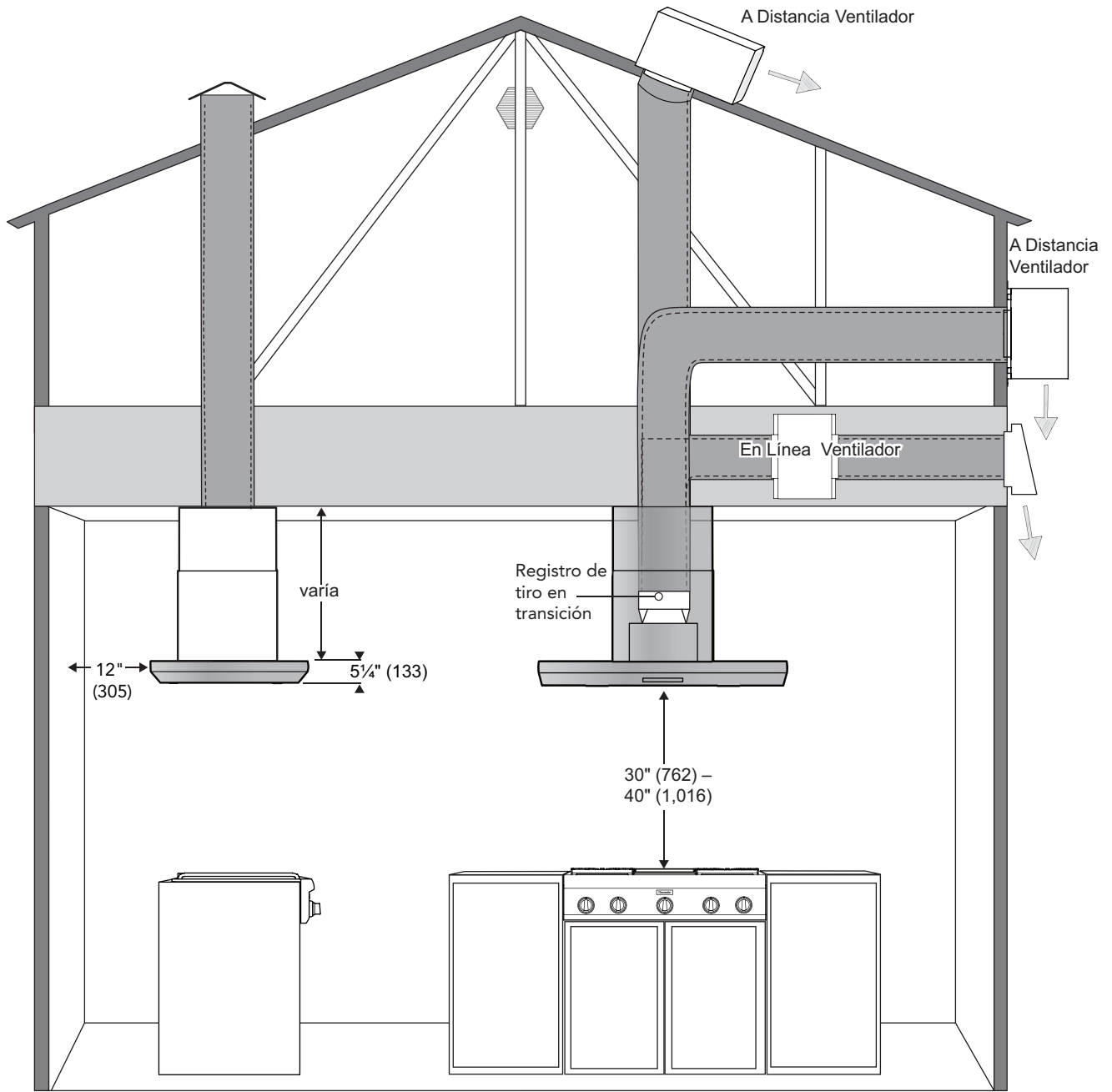
Longitud total equivalente del conducto con los racores más comunes

Pieza de conducto	Diámetro de la pieza (pulg.)	Longitud equivalente (pi)
 Liso, recto	6	1.2
	8	0.7
	10	0.6
 3/4 pulg. x 10 pulg. recto	N/D	1
 3/4 pulg. x 14 pulg. recto	N/D	0.7
 Codo circular a 90°	6	12
	8	6
	10	5
 Codo circular a 45°	6	5
	8	3
	10	2
 Codo de 3/4 pulg. x 10 pulg. a 90°	N/D	5
 Codo de 3/4 pulg. x 10 pulg. a 45°	N/D	15
 Codo llano de 3/4 pulg. x 10 pulg.	N/D	20
 Circular a 3/4 pulg. x 10 pulg.	6	1
	8	10
 3/4 pulg. x 10 pulg. a circular	6	5
	8	2
 Circular a codo de 3/4 pulg. x 10 pulg. a 90°	6	10

Pieza de conducto	Diámetro de la pieza (pulg.)	Longitud equivalente (pi)
 3/4 pulg. x 10 pulg. a codo circular a 90°	6	10
 Codo invertido izquierdo a céntrico de 3/4 pulg. x 10 pulg.	N/D	15
 Codo invertido recto a centro de 3/4 pulg. x 10 pulg.	N/D	25
 Codo invertido a izquierda de 3/4 pulg. x 10 pulg.	N/D	15
 Codo invertido a recto de 3/4 pulg. x 10 pulg.	N/D	25
 Salida circular mural	6	2
	8	2
	10	2
 Salida circular de techo	6	2
	8	2
	10	2
 Conducto flexible de 3/4 pulg. x 10 pulg. de 2 pies de long.	N/D	20
 Soporte de fijación y obturador de techo de 3/4 pulg. x 10 pulg.	N/D	2

NOTA: Esas piezas de uso frecuente se venden en ferreterías. Thermador no fabrica todas esas piezas.

Configuraciones de conductos comunes



NOTA: La figura no representa todas las configuraciones o los métodos de instalación. La imagen se debe usar SOLO como una guía.

Elección de un ventilador adecuado

Ventilador adecuado

Sólo use ventiladores Thermador® con las campanas Thermador. Vea la «Guía de Planificación de Ventilación» para saber qué ventiladores se recomiendan. Póngase en contacto con atención al cliente para conocer otras opciones posibles (vea la contraportada del manual para obtener la información de contacto).

Puede obtener los sopladores en línea y remotos por medio de su distribuidor Thermador® autorizado. Para obtener información sobre distribuidores locales, visite la sección "Find a dealer" (Encuentre un distribuidor) de nuestro sitio web www.thermador.com.

La elección de un ventilador depende del volumen que se debe extraer así como de la longitud y de la ubicación del conducto. Para los conductos largos que tienen muchos empalmes y cambios de dirección, se puede usar un ventilador más potente. Para una evacuación eficaz del aire, use un conducto recto con tan pocos codos como sea posible.

Opciones de ventiladores

Description	SKU
Módulo de ventilador (montado en el techo o pared externa)	VTR1FZ
	VTR2FZ
Ventilador en línea (montado entre la estufa y la pared exterior)	VT1FZ
	VT12FZ

25 pies Cable de conexión para soplador

Se venden cables de conexión para ventilador a distancia (EXTNCB25W) de 25 pies si se quiere conectar la campana a un ventilador a más de 25 pies de distancia (adquirido por separado). NO utilice más de un cable de conexión para cada instalación.

Junta de la campana

Dirección de descarga

El aire de salida debe ser liberado hacia arriba a través de un conducto o directamente a través de la pared externa a la intemperie.

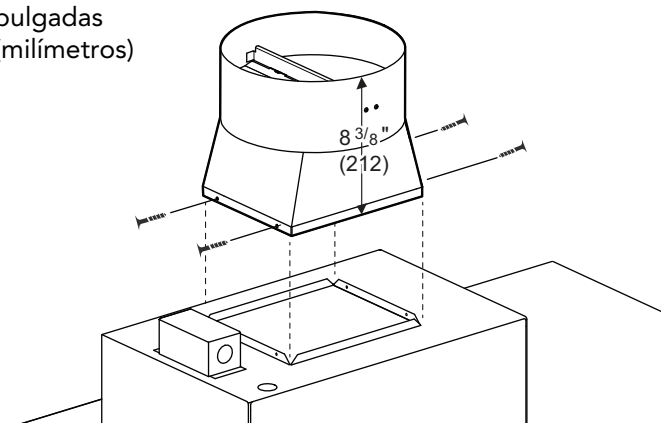
La campana se puede montar en la pared sólo con una descarga vertical.

Ensamblaje del racor

Las campanas se suministran con una transición redonda de 10" (254 mm). Se requiere una transición suministrada localmente para otros tamaños.

1. Alinee los agujeros de montaje de la base del racor con los agujeros de montaje de la brida de 1/2 pulg. (13 mm) situada en la parte superior o trasera de la campana.

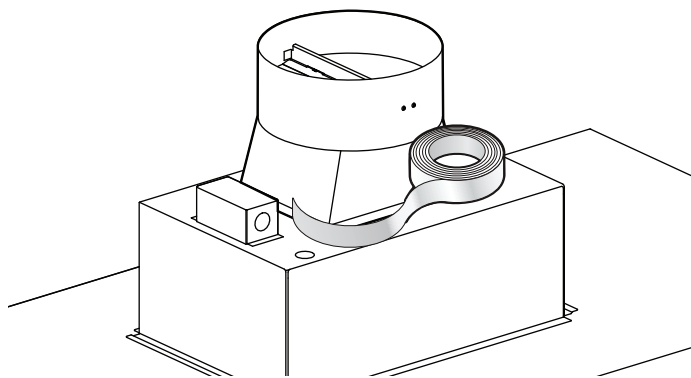
pulgadas
(milímetros)



2. Sujete el racor a la campana con cuatro tornillos para chapa de 1/4 pulg. (6 mm) proporcionados con la campana.

Nota: Los tornillos no deben obstaculizar el funcionamiento de amortiguación.

3. Selle la junta entre el racor y la campana con cinta de aluminio (y NO con cinta para conductos). Asegúrese de que la conexión está parcialmente sellada.



4. Quita el trozo de cinta que sujeta el registro en posición cerrada.

Instalación del campana

⚠ PRECAUCIÓN

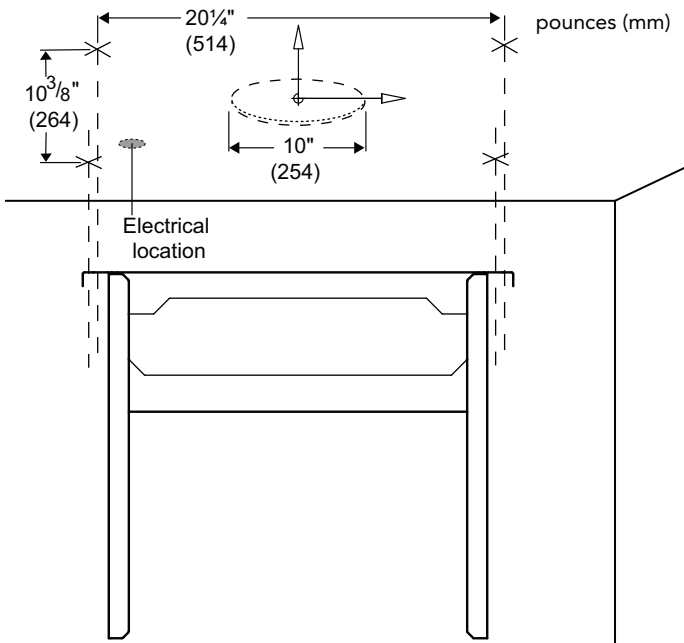
Antes de realizar la instalación, desconectar la alimentación eléctrica en el panel de servicio. Bloquear el panel de servicio para impedir que se conecte accidentalmente la alimentación eléctrica.

Agujero del techo

IMPORTANTE: Se requiere una abertura mínima de 10" (254 mm) en el techo para acomodar los conductos necesarios para una ventilación adecuada.

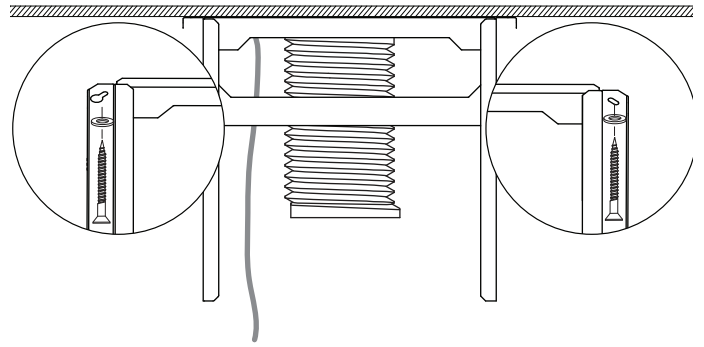
1. Asegurarse que ningún cable ni tubo se dañe (por ejemplo, eléctrico, de gas, de agua).
2. En el techo, marcar el punto central del aparato.
3. Marcar la línea central para la ubicación de los cuatro agujeros de montaje usando las dimensiones que se muestran en la ilustración a continuación. Los agujeros se deben taladrar en una estructura que sea capaz de soportar una carga de 150 libras como mínimo.

Consejo: Utilizar el marco como plantilla para marcar las ubicaciones de soporte de montaje.



4. Usar una broca de 1 1/4" para hacer un agujero para el suministro de energía eléctrica. Dependiendo de la altura del techo, asegurar la longitud mínima requerida del cable de alimentación.
5. Instalar el marco de soporte al techo introduciendo (4) tornillos de 5/8" (16 mm) con arandelas en los agujeros roscados. Asegurarse que la fuente de

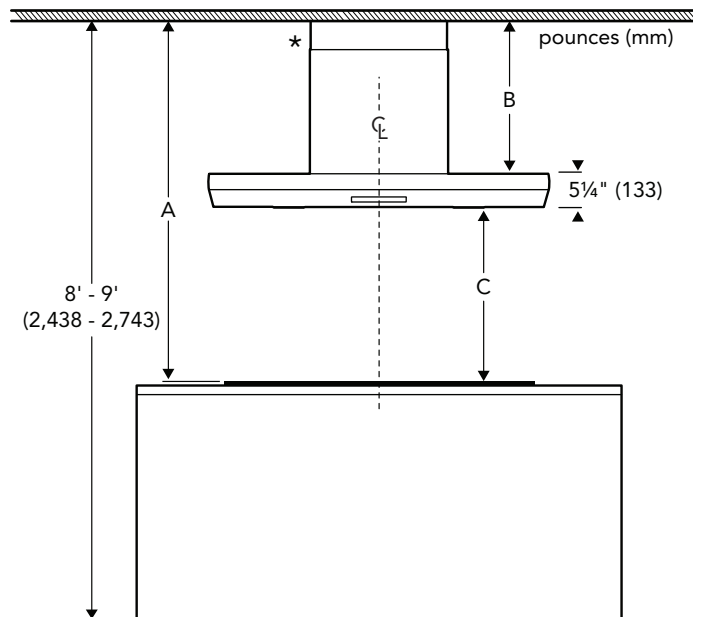
alimentación para la campana extractora isla sea dirigida dentro del soporte.



Preparación del marco de soporte de la campana extractora isla

Determinar la altura total del marco de soporte.

$$A - 5\frac{1}{4}'' = \text{Altura de marco de soporte}$$

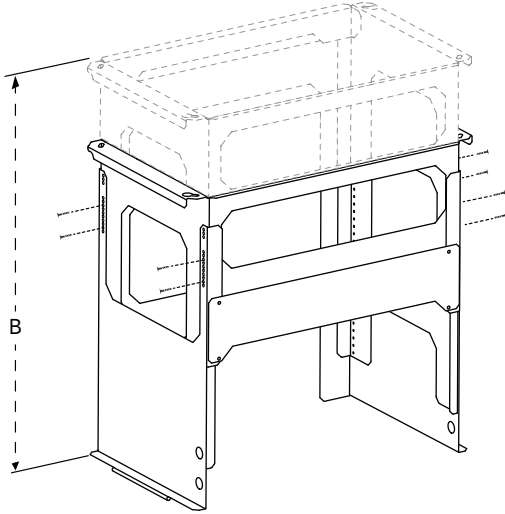


1. Medir la distancia desde la superficie de cocción al techo (figura «A»).
2. Agregar 5 1/4" (133 mm) a la altura deseada desde la superficie de cocción (figura «C»).

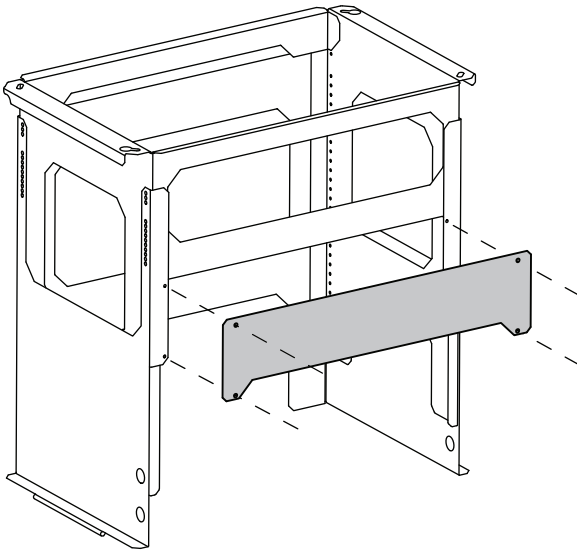
 - «C» debe estar a un mínimo de 30" (762 mm) y a un máximo de 40" (1016 mm) encima de la superficie de cocción.

3. Restar el número determinado en el paso 2 del número en el paso 1 para determinar «B».

4. Asegurar los lados derecho e izquierdo del marco de soporte a la altura determinada en el paso 3, «B», usando (4) tornillos de lámina metálica de 1/4" (6 mm).

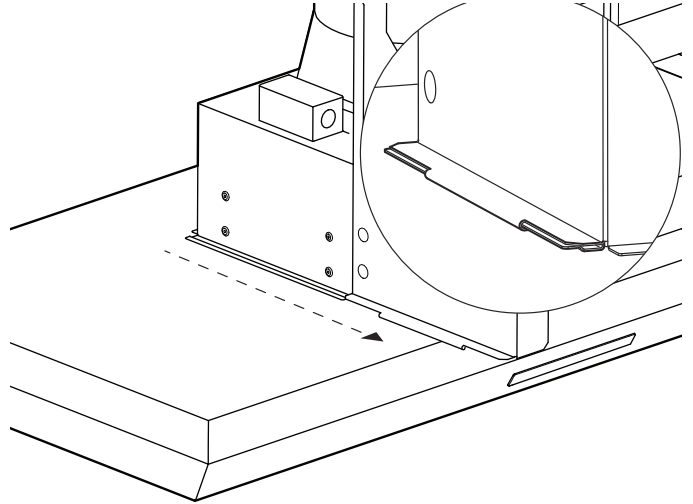


5. Extraer el panel de separación.



Aseguramiento del ensamble de la campana

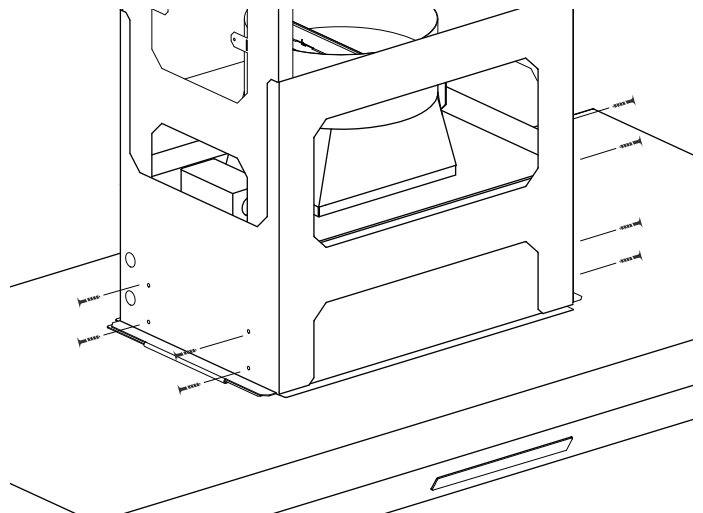
6. Levantar la campana de estufa ensamblada hasta el marco de soporte. Deslizar el labio del panel lateral en la funda de soporte del marco de soporte.



7. Asegurar la campana de la estufa al marco de soporte con cuatro (4) tornillos de 1/2" (25.4 mm) en los lados izquierdo y derecho.

⚠ Precaución

NO colgar la campana en la funda de soporte sin utilizar los tornillos, durante largos periodos de tiempo. La funda de soporte no está diseñado para cargar el peso de la campana.



Instalación del motor del ventilador

⚠ PRECAUCIÓN

Para reducir los riesgos de incendio y descarga eléctrica, instale esta campana de cocina únicamente con los ventiladores incluidos en la «Guía de Planificación de Ventilación».

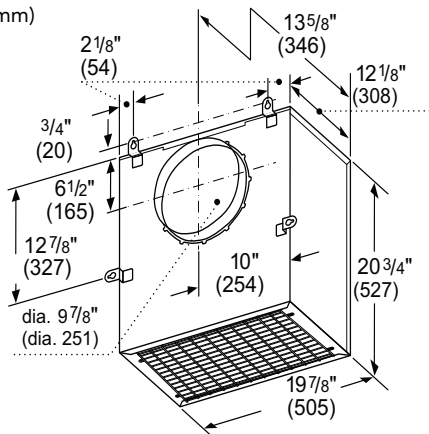
Cableado de la campana con un ventilador a distancia o un ventilador en línea

Para obtener instrucciones de instalación completas, consultar las instrucciones suministradas con la unidad del ventilador.

Ventilador a distancia

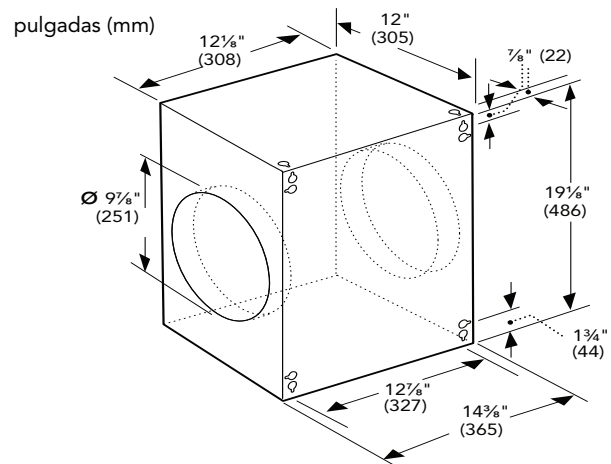
Según la preferencia y la ubicación del conducto, estos ventiladores se pueden montar sobre el techo o a una pared exterior de la casa. Puede ser más atrayente instalarlo fuera para reducir el ruido en la cocina.

pulgadas (mm)



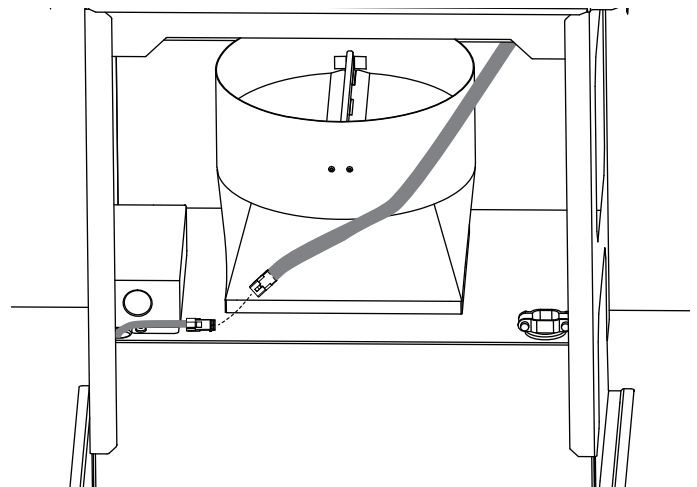
Ventilador en línea

Para minimizar el ruido en la cocina, estos ventiladores están montados a lo largo del conducto, en cualquier sitio entre el techo y la pared exterior. Si el conducto es fácil de acceder (en el ático, por ejemplo), esta opción puede ser atrayente.



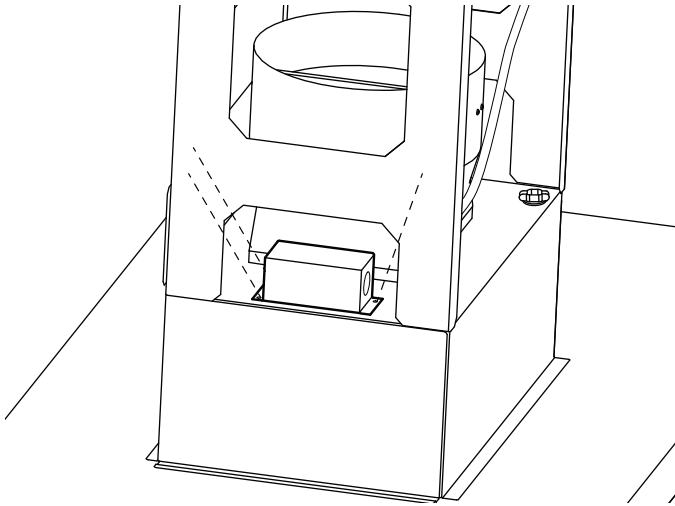
Conexión del cable del ventilador

1. Pasar el conector del motor del ventilador hacia la campana extractora. Conectar el arnés del ventilador al arnés de la campana extractora.



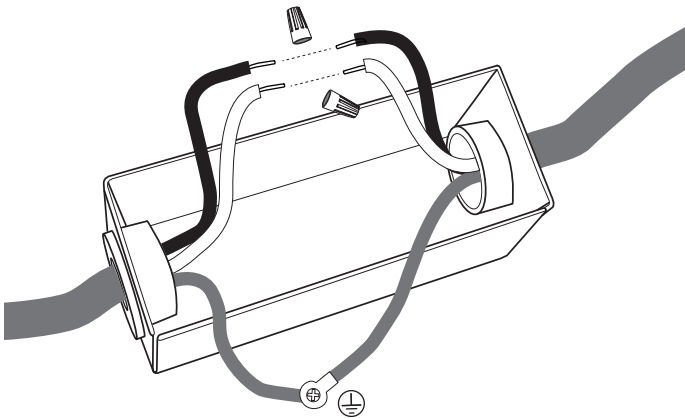
Tendido de cables y conexión

1. Quitar los 3 tornillos cortos de la tapa de la caja de conexiones y retirar la tapa.



2. Conecte los cables de la alimentación eléctrica a los cables de la campana en el siguiente orden: el negro con el negro, el blanco con el blanco, y fije el cable verde con el tornillo verde de toma de tierra del armazón. Utilice los conectores eléctricos de muelle proporcionados.

- Si faltan o se pierden conectores, se deben reemplazar únicamente por conectores eléctricos de muelle compuestos por un mínimo de dos cables 18 GA y un máximo de cuatro cables 14 GA, clasificados UL y CSA por 600 V y 302° F (150° C).

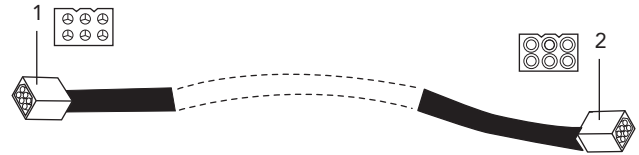


3. Reemplazar la tapa de la caja de conexiones y asegurarla con los 3 tornillos cortos que se quitaron previamente.

Cable de conexión del ventilador EXTNCB25W (opcional)

Conexión del cable de extensión a la campana

1. Pasar el arnés del ventilador interno de la campana a través de la protección contra jalones de cables.
2. Conectar el cable de extensión de 25 pies al arnés del ventilador fuera de la campana.



- 1 Se conecta a la campana
- 2 Se conecta a un módulo de ventilador o ventilador en línea

NOTA: La garantía del aparato se anula si se corta el conector.

El cable alargador del ventilador es compatible con los ventiladores en línea o a distancia siguientes:

Ventilador	Número de modelo
Ventilador a distancia	VTR2FZ
Ventilador a distancia	VTR1FZ
Ventilador en línea	VTI1FZ
Ventilador en línea	VTI2FZ

Interruptor de relé de regulador de tiro de aire de compensación (opcional)

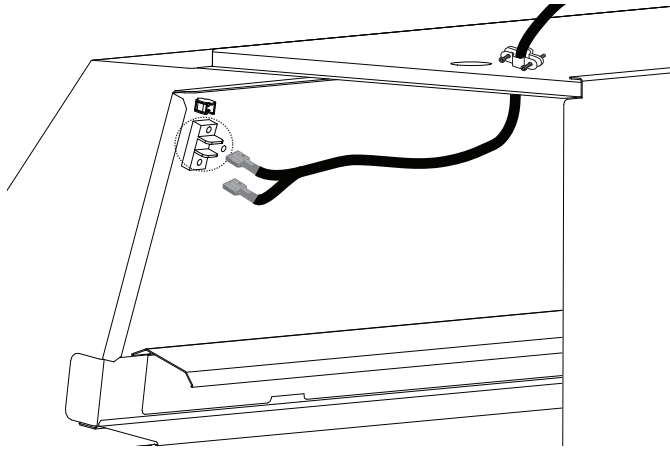
Los códigos locales pueden requerir el uso de un regulador de contracorriente adicional y/o regulador de tiro de aire de compensación. Póngase en contacto con su profesional local de HVAC para conocer los requisitos específicos.

Esta campana extractora posee un interruptor de relé para conectar un regulador de aire de compensación (máx. 120 V). Las instalaciones variarán según la ubicación en el hogar donde se instale la unidad y se use el regulador. Usar la siguiente ilustración como guía para la instalación. Cumplir siempre con los requisitos del código local.

Conexión del interruptor del relé del regulador de tiro de aire de compensación

1. Acceso al cableado de la campana extractora.
2. Pasar el arnés del regulador de aire de compensación a través de la protección contra jalones hacia el bloque de terminales.

- Las conexiones de retorno y en caliente del kit de aire de compensación pueden usar cualquier conexión de terminal. No hay requisito de polaridad para el bloque de terminales de dos pines.



- Asegurar el cable de tierra con el tornillo de tierra verde T-20.

Instalación del mando a distancia (opcional)

Se aconseja instalar el cableado del mando a distancia una vez instalada la campana.

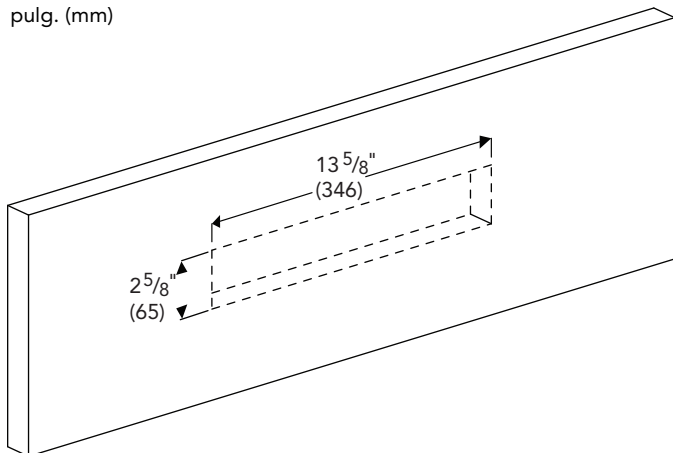
REMCPW piezas incluidas

- 1 – mando a distancia
- 1 – cable de extensión de 10 m

IMPORTANTE: Cortar un conector al aparato o al kit del cable de extensión anulará la garantía.

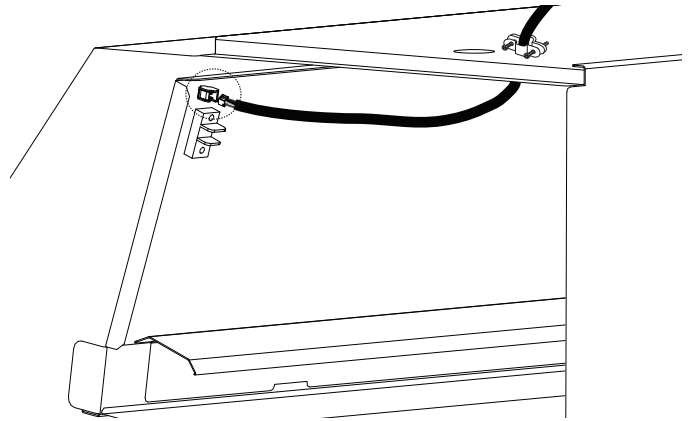
- Preparación de la pared para la instalación, como se ilustra (vista frente a la pared).

pulg. (mm)

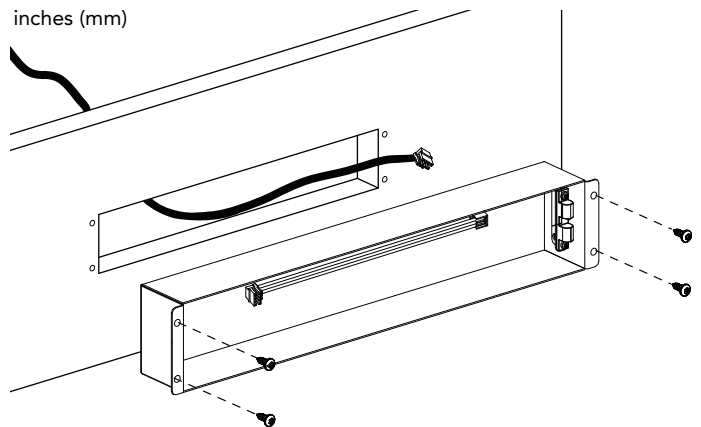


- Acceso al cableado de la campana extractora. Pasar el arnés de extensión de 30 pies a través de la

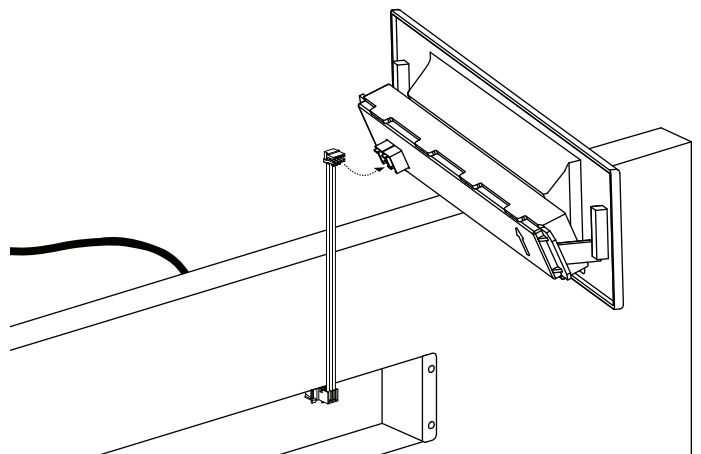
protección contra jalones al clip de montaje cuadrado, hasta que haga clic.



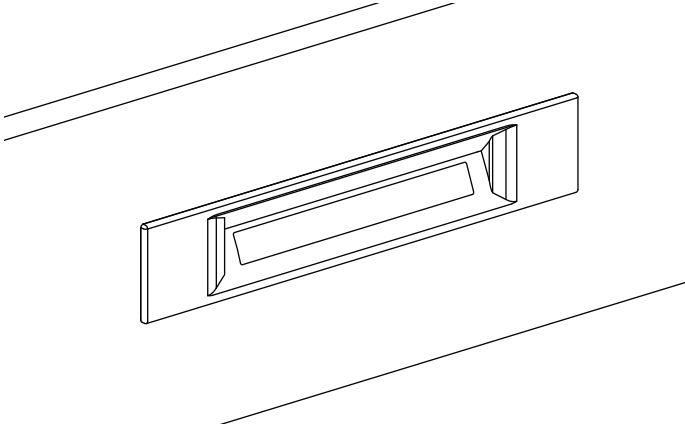
- Pasar el arnés de extensión de 30 pies a través del agujero y conectar el arnés a la parte posterior de la placa de fijación del control remoto.
- Presionar la placa de fijación dentro del agujero. Perforar un agujero roscado de 1/4" (6 mm) a través de los agujeros de la placa de fijación en la pared. Montar la placa de fijación a la pared, usando los cuatro (4) tornillos suministrados.



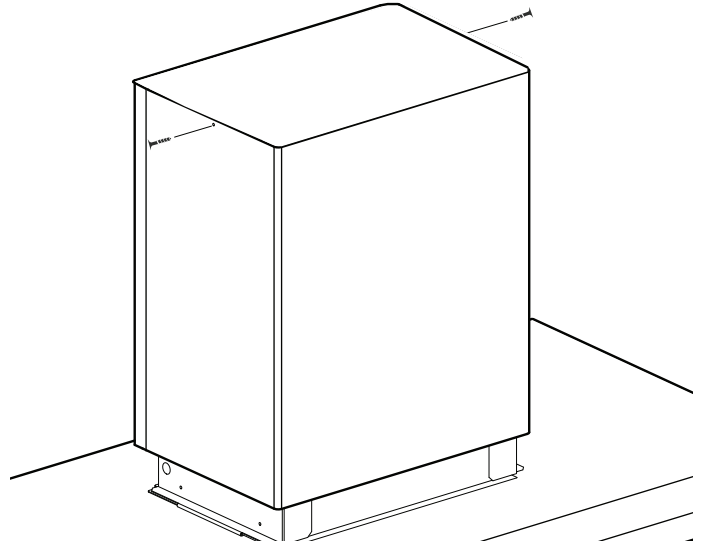
- Conectar el conector del arnés de cables dentro de la placa de fijación al terminal en la parte posterior del control remoto. Usar cualquiera de las terminales.



6. Ajustar el control remoto en la placa de fijación hasta que haga clic.

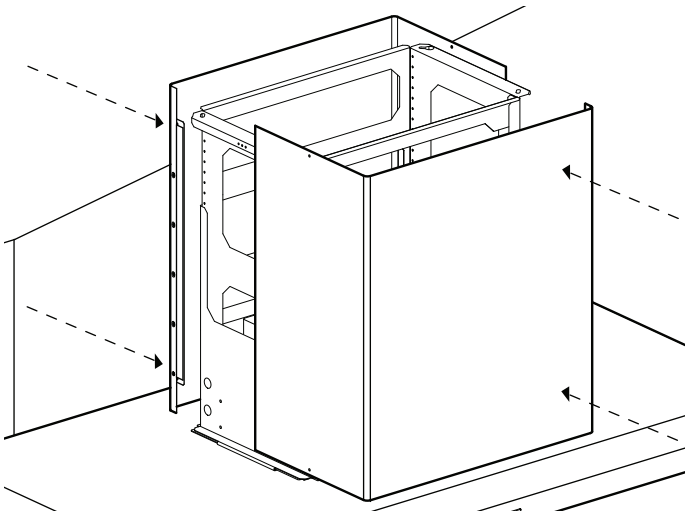


3. Asegurar la chimenea superior al marco de soporte con dos (2) tornillos de 1/2" (25.4 mm) en los lados izquierdo y derecho .

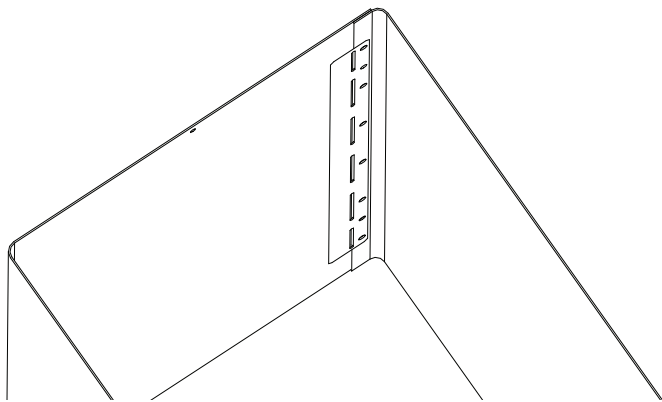


Instalación de la chimenea telescópica

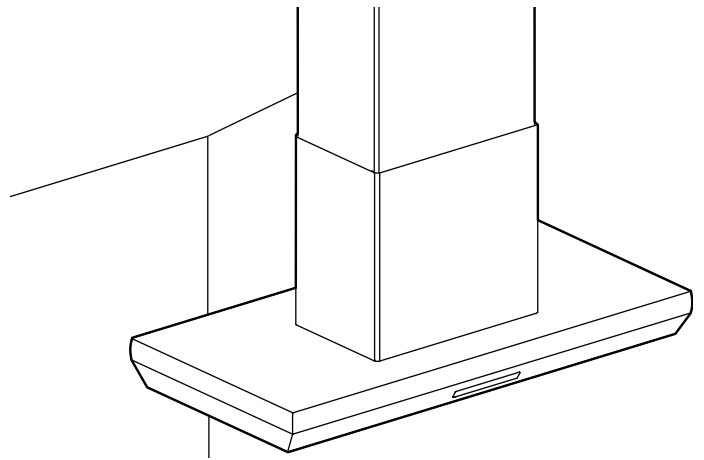
1. Envolver las dos (2) piezas más largas de la chimenea telescópica alrededor del marco de soporte de la campana extractora isla instalada.



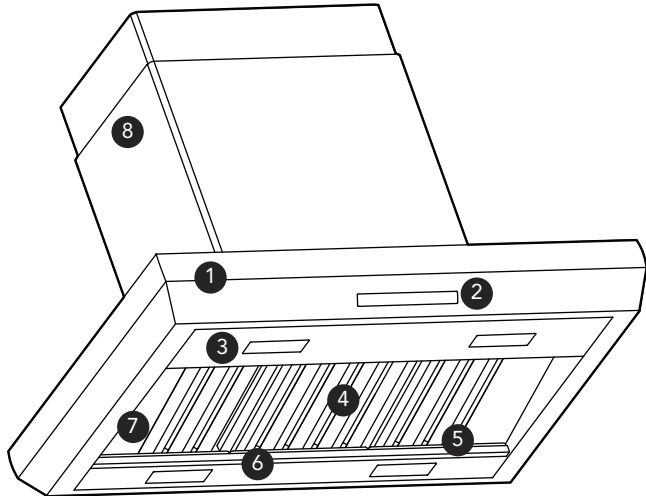
2. Las dos piezas deben conectarse una con otra (no se necesitan tornillos).



4. Envolver las dos (2) piezas más cortas de la chimenea telescópica alrededor de la chimenea superior. Las dos piezas deben conectarse una con otra (no se necesitan tornillos). La campana extractora isla soportará la campana inferior.



Cómo instalar las bandejas para la grasa y los filtros

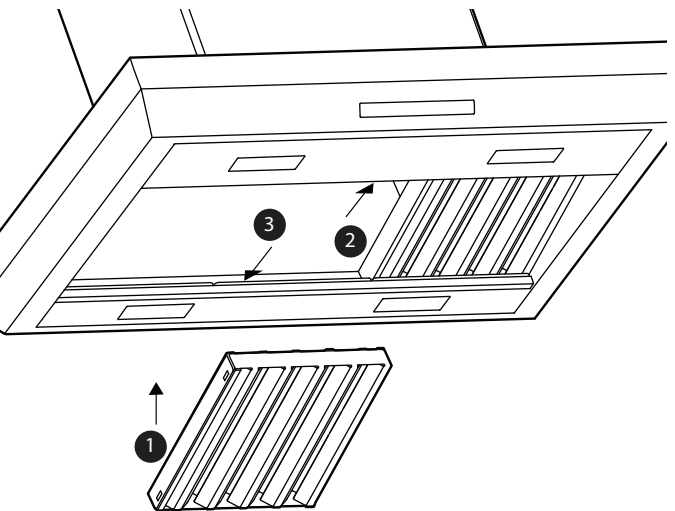


- | | |
|-------------------------|--|
| (1) Campana | (2) Tocar panel de control |
| (3) Iluminación LED | (4) Filtros |
| (5) Bandeja de grasa | (6) Ranura de las bandejas para la grasa |
| (7) Filtro espaciadores | (8) Conducto telescópico |

Para instalar los filtros y las bandejas para la grasa

Nota: No utilice la superficie de la estufa cuando la campana no está montada.

1. Apague el ventilador y las luces.
2. Quite todo el plástico de las piezas de la campana.
3. Inserte las piezas en el siguiente orden:



- Bandeja para la grasa — Las charolas para la grasa deben estar en su lugar antes de instalar los filtros. Empuje la charola para la grasa hacia dentro y hacia abajo dentro de la ranura para la charola.

- Filtros — Comience con un filtro externo. Deslice el filtro hacia arriba, hacia la parte frontal de la campana, y luego empuje hacia abajo en la parte superior de la charola para la grasa.

- Filtro espaciadores — Si aplica, insertar los elementos distanciadores del filtro en los extremos izquierdo y derecho. Deslice el filtro hacia arriba, hacia la parte frontal de la campana, y luego empuje hacia abajo en la parte superior de la charola para la grasa.

Siga las indicaciones de arriba a la inversa para quitar las bandejas para la grasa y los filtros. Asegúrese de que la totalidad del aparato (incluso los filtros para la grasa y las bombillas) se han enfriado y que la grasa se ha solidificado antes de limpiar las piezas del aparato.

Servicio y lista de chequeo del instalador

Lista de chequeo para el instalador

Cheque final

- _____ Se respetan los espacios libres mencionados respecto a la superficie de los armarios.
- _____ El aparato está nivelado.
- _____ No queda material de embalaje en el aparato.
- _____ Toma de tierra adecuada.
- _____ El propietario sabe donde está el disyuntor.
- _____ Escriba el número de modelo y el número de serie de la placa de señalización en el Manual de uso y mantenimiento. Deje el Manual de uso y mantenimiento y el Manual de instalación al propietario del aparato.

Limpeza y protección de las superficies exteriores

- Se pueden limpiar las superficies de acero inoxidable con un trapo húmedo, jabonoso, y enjuagarlas con agua limpia antes de secar con un trapo suave. Así se evitará la formación de marcas de agua. Cualquier detergente suave para vidrio quitará huellas dactilares y manchas.
- Para decoloraciones o suciedades persistentes, consulte el manual de uso y cuidado.
- **NO** deje que la suciedad permanezca largos períodos de tiempo en las superficies.
- **NO** use fibra metálica normal o cepillos metálicos. Se pueden pegar trozos pequeños de metal a la superficie y oxidarla.
- **NO** permita que tengan contacto prolongado con el acero inoxidable soluciones salinas, desinfectantes, blanqueadores o compuestos de detergentes. Muchos de estos compuestos contienen químicos dañinos. Enjuague con agua después de cada exposición y seque con un trapo limpio.

Antes de solicitar servicio

Resolución de problemas

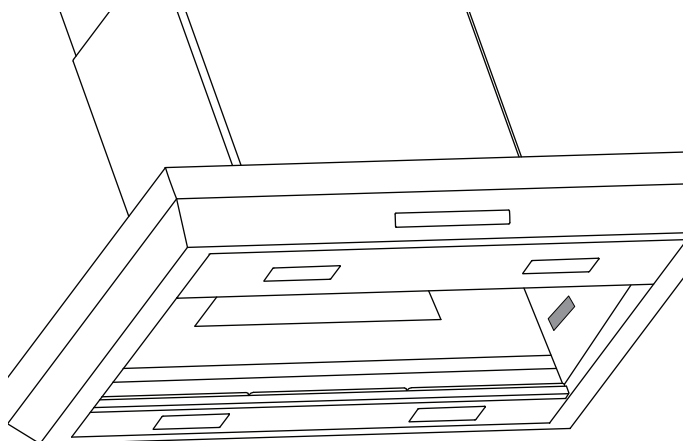
Consulte la sección de problemas y soluciones del manual de uso y mantenimiento. Vea la garantía del manual de uso y mantenimiento. Tenga a mano la información de la placa de señalización de su aparato cuando llame a atención al cliente.

Consulte la información de contacto de la contraportada del manual para ponerse en contacto con un representante de atención al cliente. Tenga a mano la información de la placa de señalización de su aparato cuando llame atención al cliente.

Placa de señalización del producto

El número de modelo y el número de serie están indicados en la placa de señalización. Proporcione esa información cuando llame para obtener servicio.

La placa de señalización está fijada al armazón, detrás de los filtros. Quite los filtros para verla.



Support

Thank you for being a Thermador customer!

USA:

Thermador is dedicated to supporting you and your appliance so you have many years of creative cooking. Please don't hesitate to contact us if you have any questions. We're happy to help you with cleaning and care instructions, cooking tips, accessories, troubleshooting, scheduling service visits, and more.

1-800-735-4328

www.thermador.com/us/support/customer-care

Canada:

1-800-735-4328

www.thermador.ca/en/support/customer-care

Accessories and parts

USA:

Filters, Thermador cleaners, teppanyaki pans, griddles, replacement parts, and more can be purchased in our online accessories store.

www.thermador.com/us/accessories

Canada:

Visit the webpage below to learn how to purchase filters, cleaners, accessories and parts.

www.thermador.ca/en/support/filters-cleaners-accessories

Soutien

Merci d'être un client Thermador!

É.-U. :

Thermador s'engage à offrir tout le tout le support dont vous et votre appareil avez besoin afin que vous puissiez en profiter pleinement. N'hésitez pas à communiquer avec nous pour toute question. Nous serons heureux de vous aider avec des directives concernant le nettoyage et les soins, des conseils de cuisson, des accessoires, le dépannage et plus encore.

1-800-735-4328

www.thermador.com/us/support/customer-care

Canada :

1-800-735-4328

www.thermador.ca/fr/support/customer-care

Accessoires et pièces

É.-U. :

Filtres, nettoyeurs, accessoires et pièces :

www.thermador.com/us/accessories

Canada :

Les filtres, pièces et accessoires peuvent être achetés auprès de nos distributeurs.

www.thermador.ca/fr/soutien/filtres-nettoyeurs-accessoires

Soporte

¡Gracias por ser un cliente Thermador!

EEUU:

Thermador se dedica a apoyarlo a usted y a su aparato para que tenga muchos años para cocinar creativamente. No dude en contactarnos si tuviera preguntas. Nos encantará ayudarlo con las instrucciones de limpieza y cuidado, consejos para cocinar, accesorios, solución de problemas y más.

1-800-735-4328

www.thermador.com/us/support/customer-care

Canadá:

1-800-735-4328

www.thermador.ca/en/support/filters-cleaners-accessories

Accesorios y piezas

EEUU:

Los filtros, limpiadores Thermador, sartenes de teppanyaki, planchas, piezas de refacción y más se pueden comprar en nuestra tienda de accesorios en línea.

www.thermador.com/us/accessories

Canadá:

Los filtros, piezas y accesorios se pueden comprar a través de nuestros distribuidores.

www.thermador.ca/en/support/filters-cleaners-accessories



1901 MAIN STREET, SUITE 600, IRVINE, CA 92614 // 800-735-4328 // WWW.THERMADOR.COM

© 2022 BSH Home Appliances Corporation
8001255193